

KIT INSTRUCTIONS

SpacePole Display Mount, with 2x20 Mount



1668-K106
Issue C



The product described in this document is a licensed product of NCR Corporation.

NCR is a registered trademark of NCR Corporation. Product names mentioned in this publication may be trademarks or registered trademarks of their respective companies and are hereby acknowledged.

The terms HDMI and HDMI High-Definition Multimedia Interface, and the HDMI Logo are trademarks or registered trademarks of HDMI Licensing LLC in the United States and other countries.

Where creation of derivative works, modifications or copies of this NCR copyrighted documentation is permitted under the terms and conditions of an agreement you have with NCR, NCR's copyright notice must be included.

It is the policy of NCR Corporation (NCR) to improve products as new technology, components, software, and firmware become available. NCR, therefore, reserves the right to change specifications without prior notice.

All features, functions, and operations described herein may not be marketed by NCR in all parts of the world. In some instances, photographs are of equipment prototypes. Therefore, before using this document, consult with your NCR representative or NCR office for information that is applicable and current.

To maintain the quality of our publications, we need your comments on the accuracy, clarity, organization, and value of this book. Please use the link below to send your comments.

Email: FD230036@ncr.com

Copyright © 2017–2020

By NCR Corporation

Global Headquarters

864 Spring St NW

Atlanta, GA 30308

U.S.A.

All Rights Reserved

Revision Record

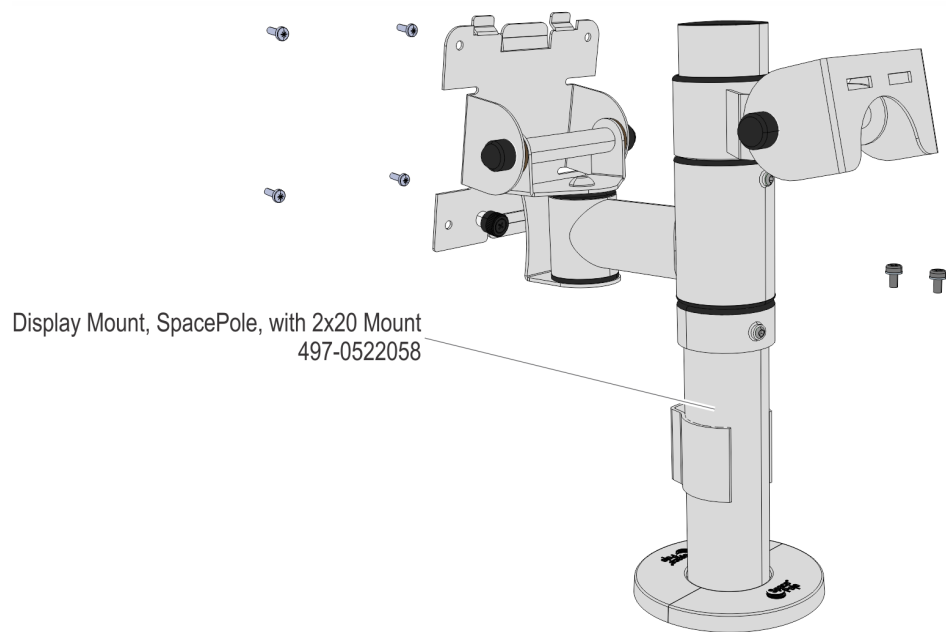
Issue	Date	Remarks
A	Apr 2017	First Issue
B	Dec 2017	Added pole dimensions
C	Sept 2020	Updated Kit Contents illustration Added XL Display

SpacePole Display Mount with 2x20 Mount

Introduction

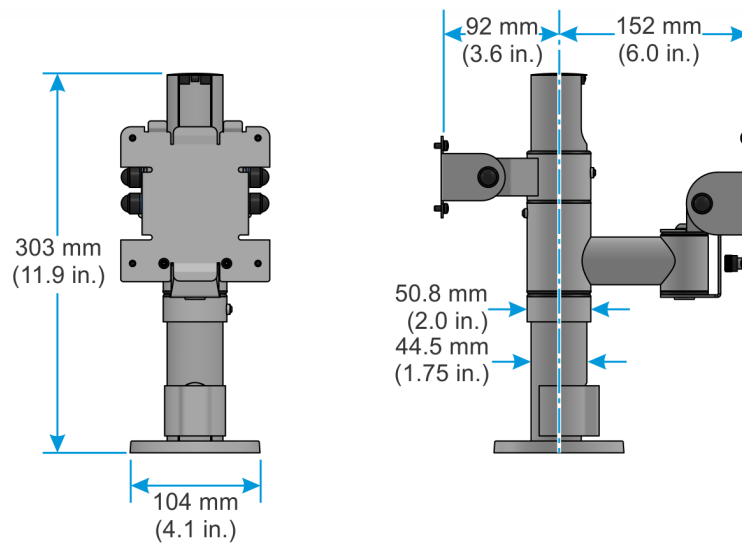
This kit provides the components to install a SpacePole Display Mount with 2x20 Mount.

Kit Contents



CCP-79571

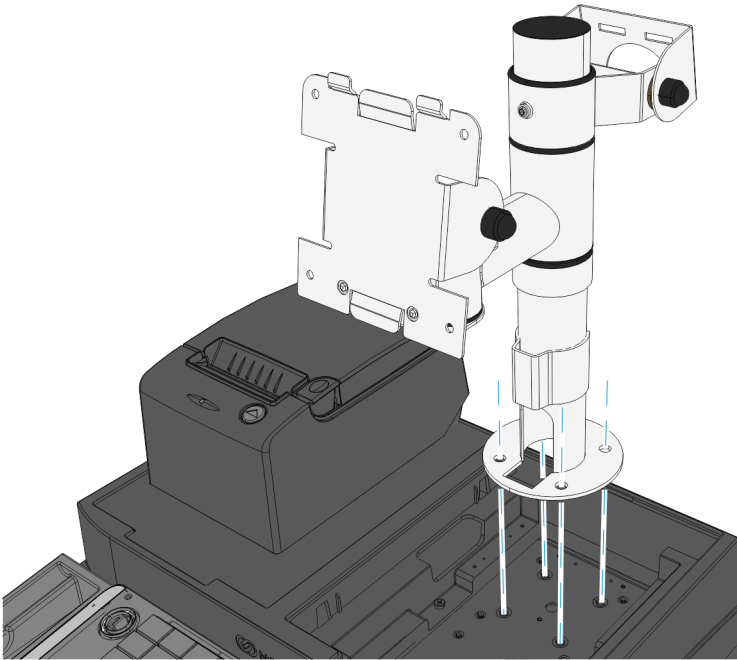
Dimensions



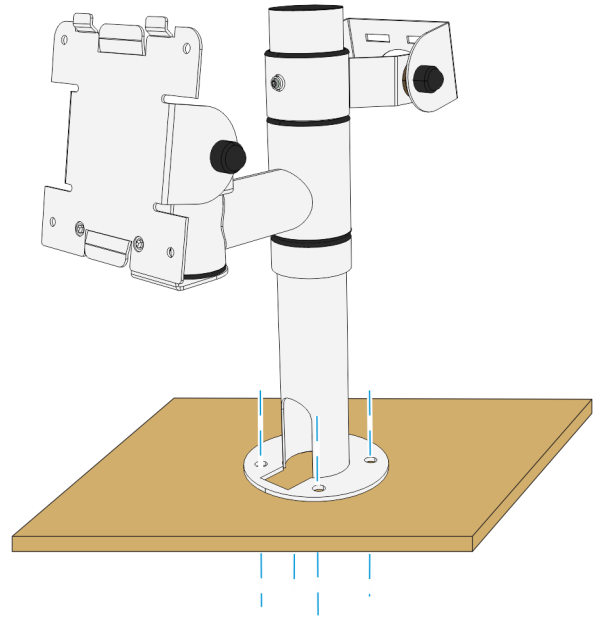
CCP-72965

Installation Procedure

1. For countertop installation, drill four holes for the mounting bolts in the desired location. Use the SpacePole Mount base as a template for locating the holes. Install the SpacePole Display Mount with 2x20 mount and secure with screws (4) or bolts (4) included in the hardware pack or with your preferred fasteners.



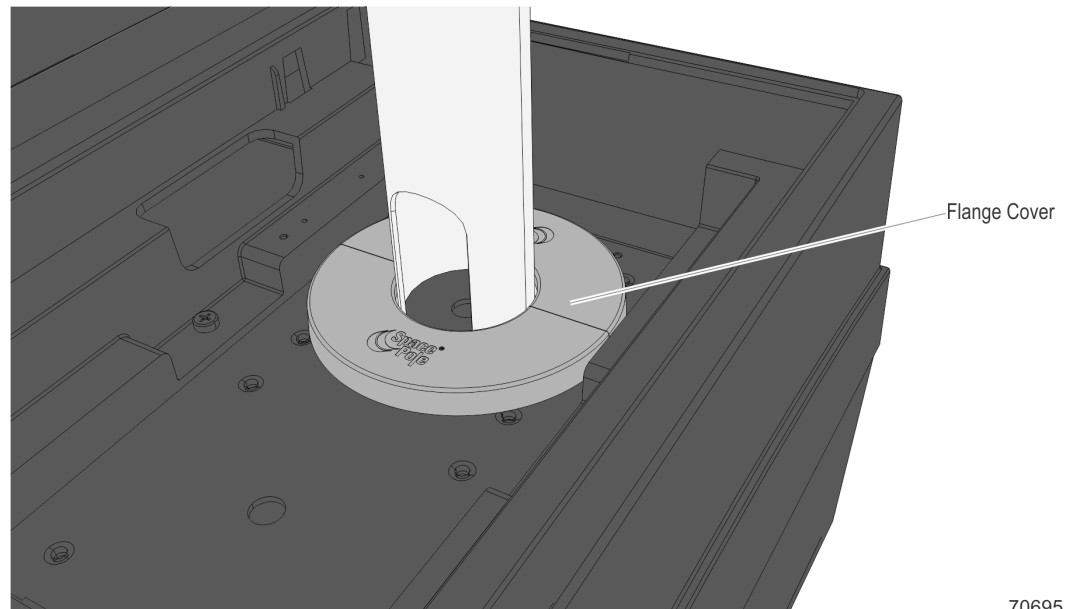
INTEGRATION TRAY



COUNTERTOP

71307

2. Install the Flange Cover.

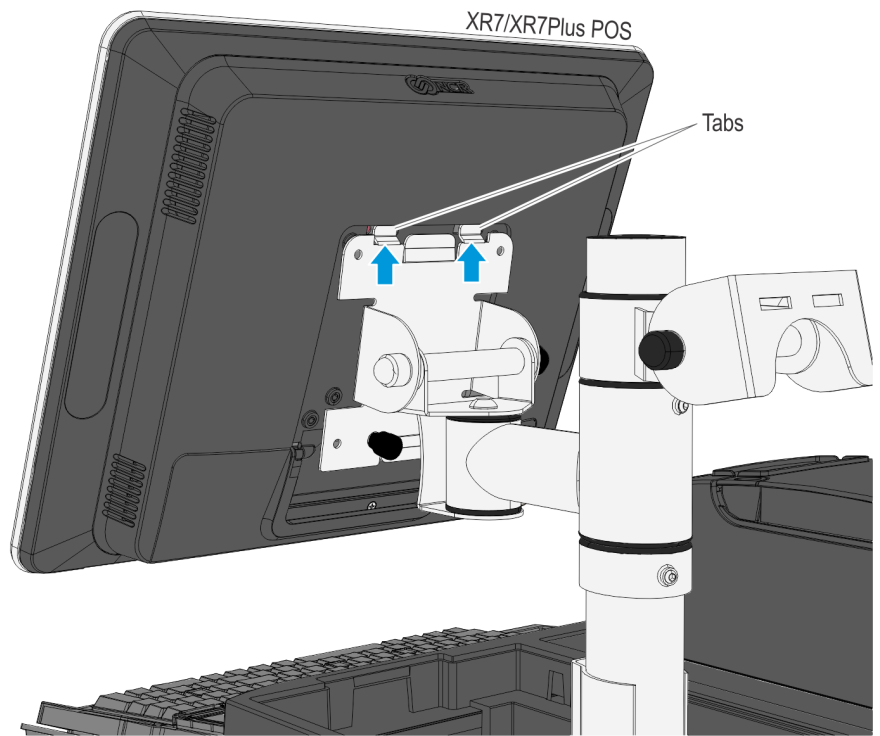
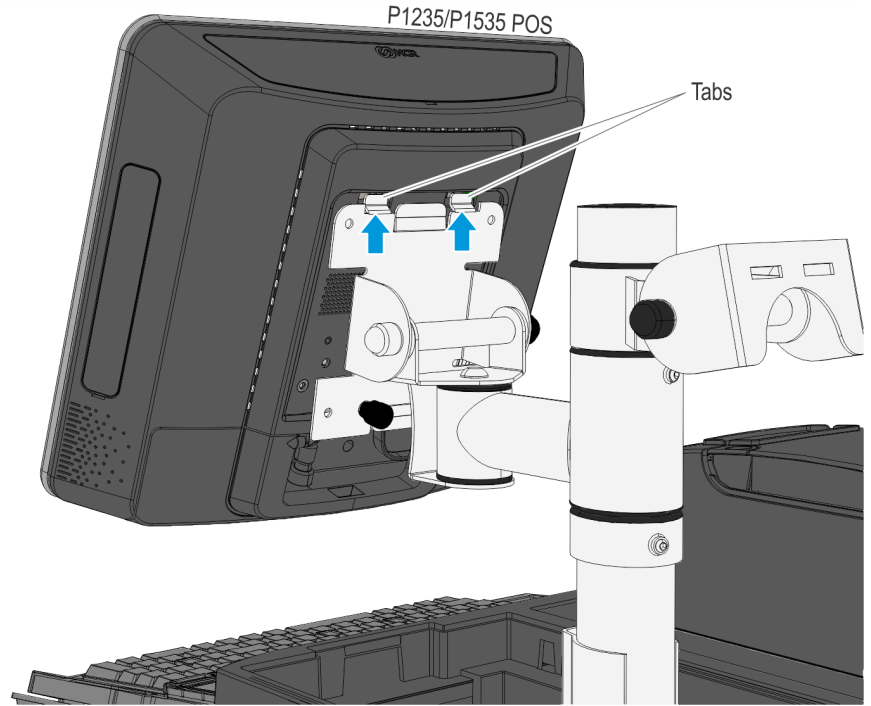


70695

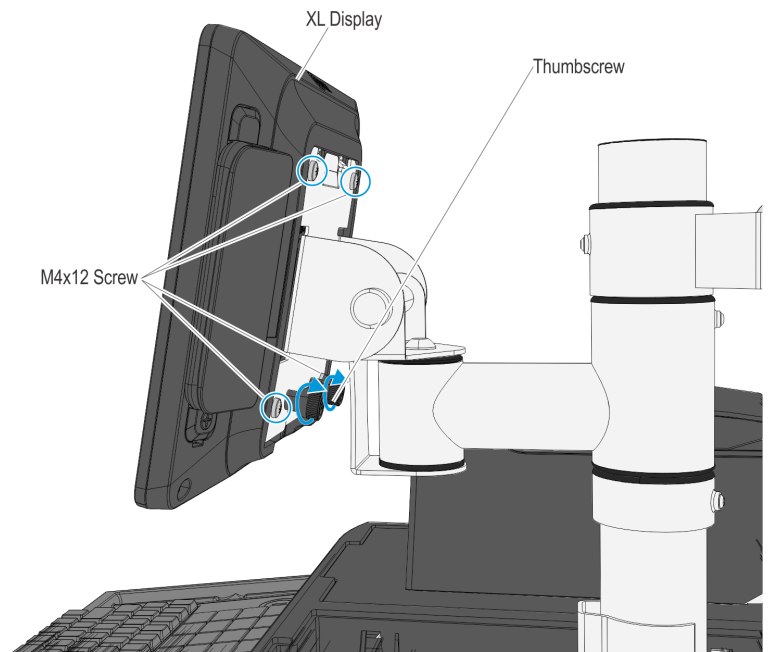
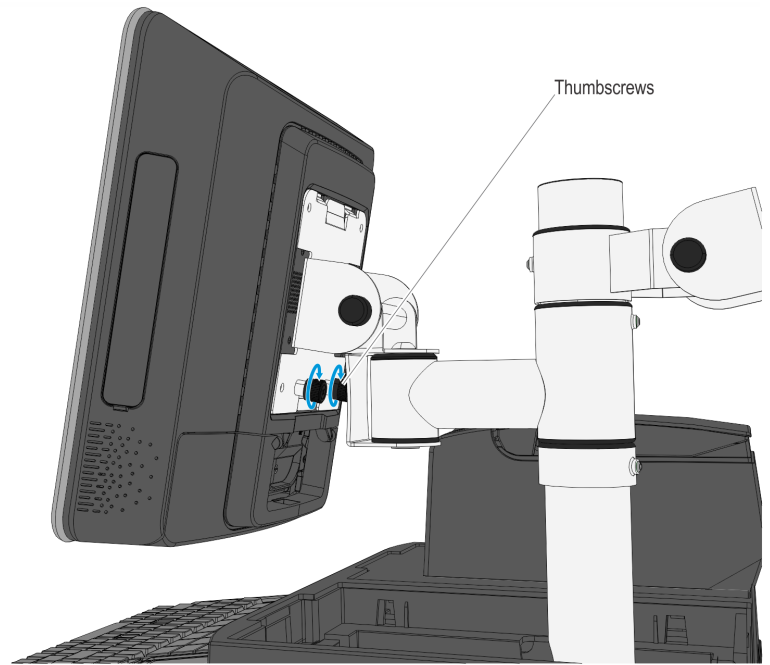
3. Attach the POS main display to the SpacePole arm by sliding the bracket tabs into the head slots.



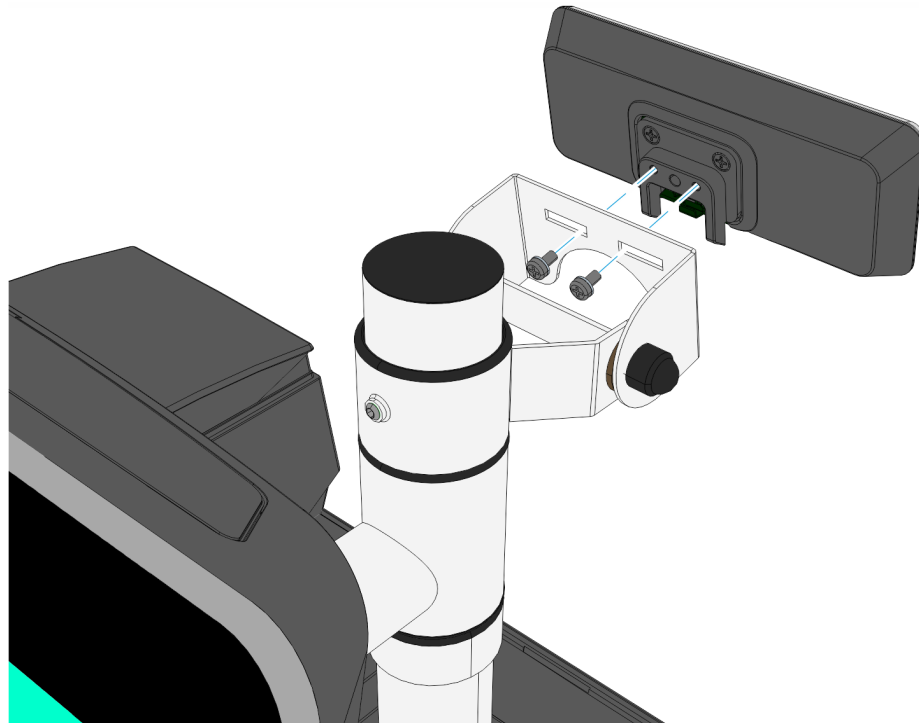
Note: For XL Displays, connect the cables to the back of the display before mounting the display on the bracket.



4. Tighten the (2) thumbscrews at the bottom of the bracket to secure the main display. For XL Displays, tighten the (2) thumbscrews and install (4) M4x12 screws to secure the display.

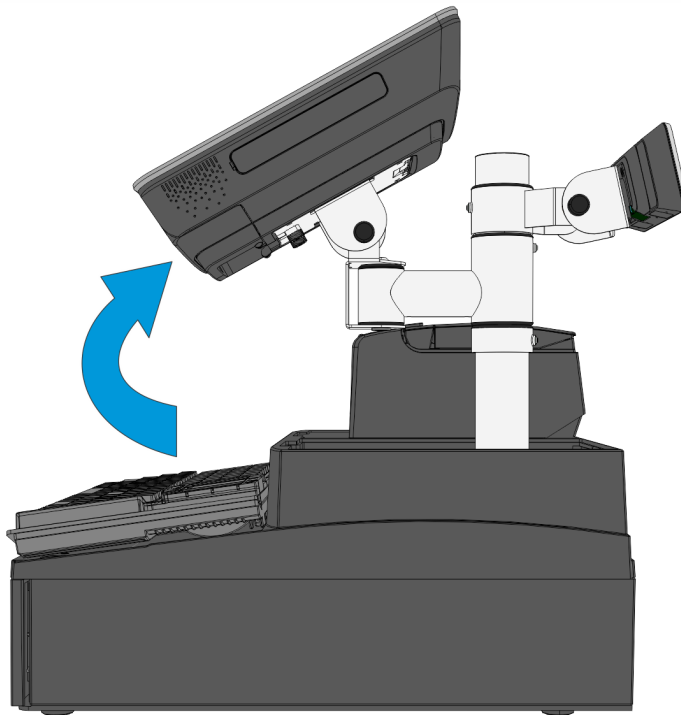


5. Attach the 2x20 customer display to the SpacePole arm and secure with screws (2).



71310

6. Pivot the main display towards the back.

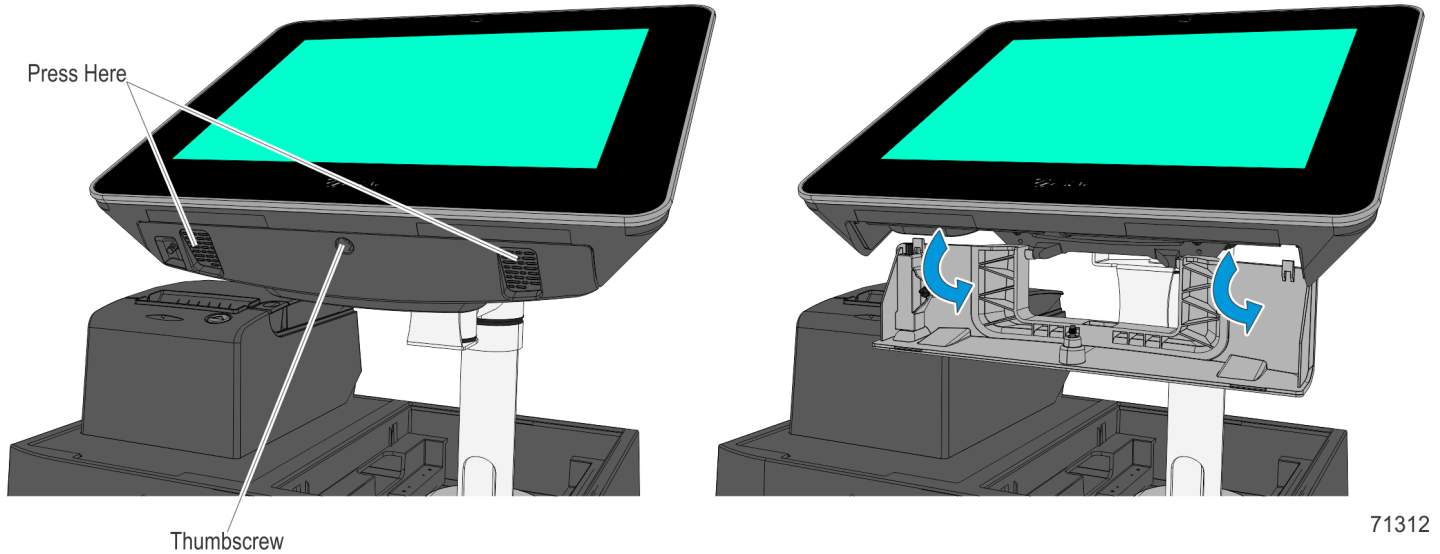


71311

7. Open the Terminal Cable Cover.

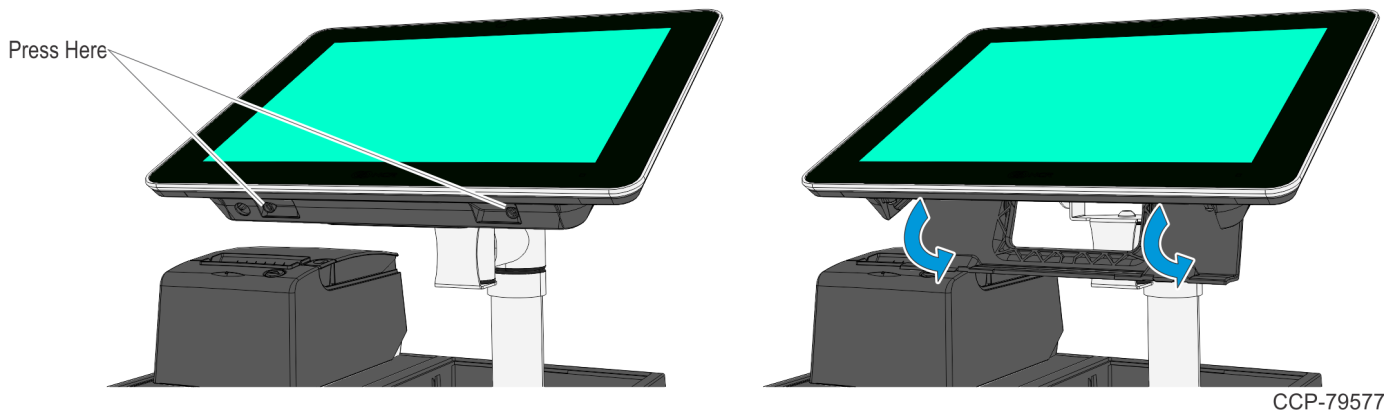
NCR P1235 POS (7745)/NCR P1535 POS (7761)

- Loosen the screw on the Terminal Cable Cover. To open, press the indentations in the Cable Cover to unlatch the cover then pivot to open.

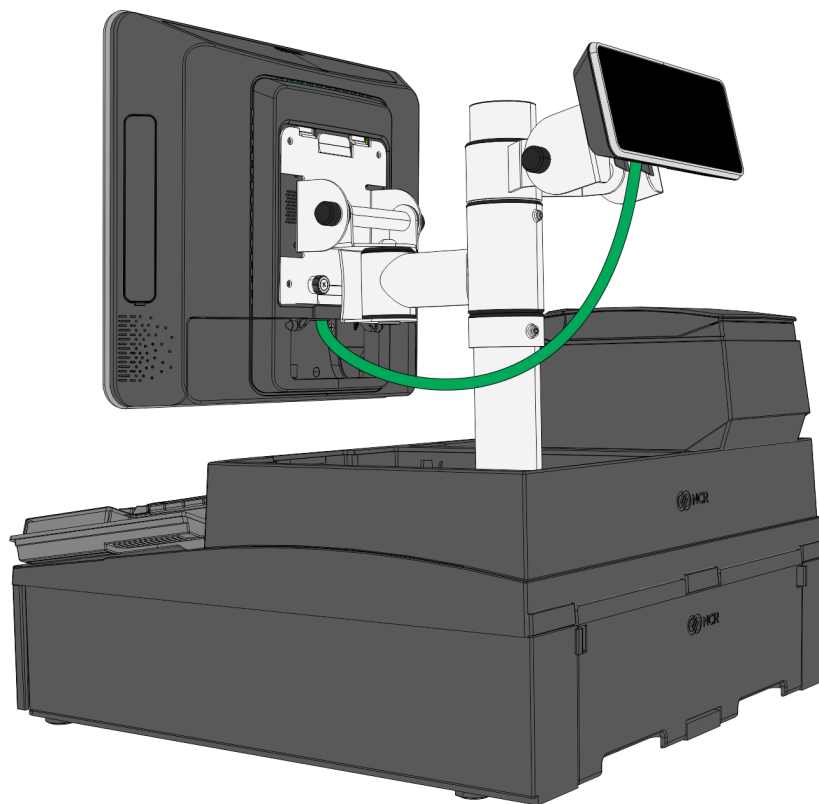


NCR XR7 POS (7702)/NCR XR7 Plus POS (7703)

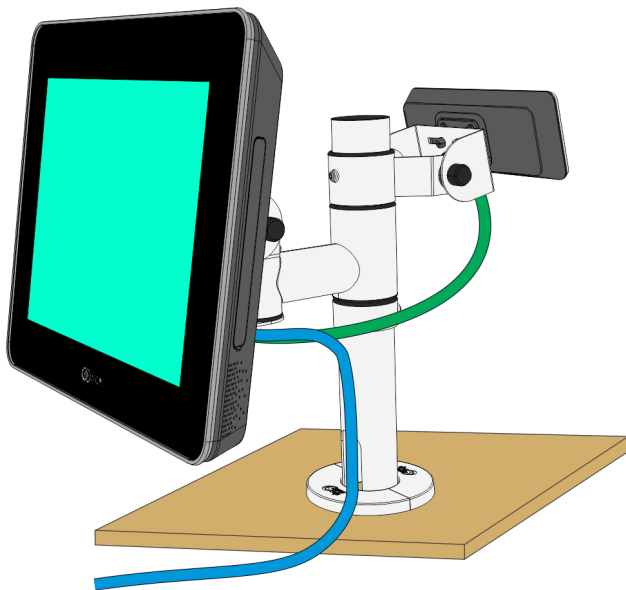
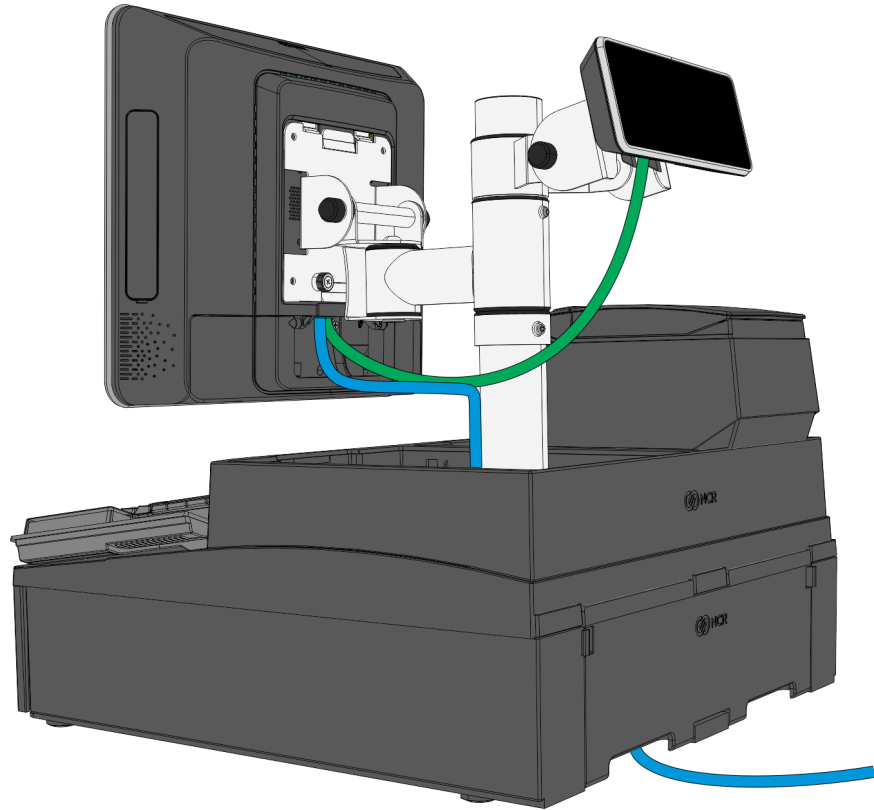
- Press on the indentations in the Cable Cover to unlatch the cover and then pivot the cover open.



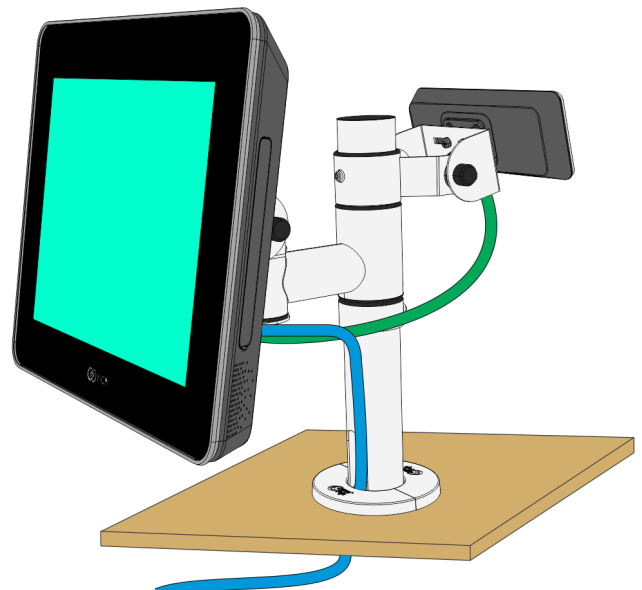
8. Route the customer display cable to the main display and connect to the corresponding connectors. Close the Cable Cover.



9. Route the cables from the main display down the SpacePole Mount and out of the integration tray or countertop.

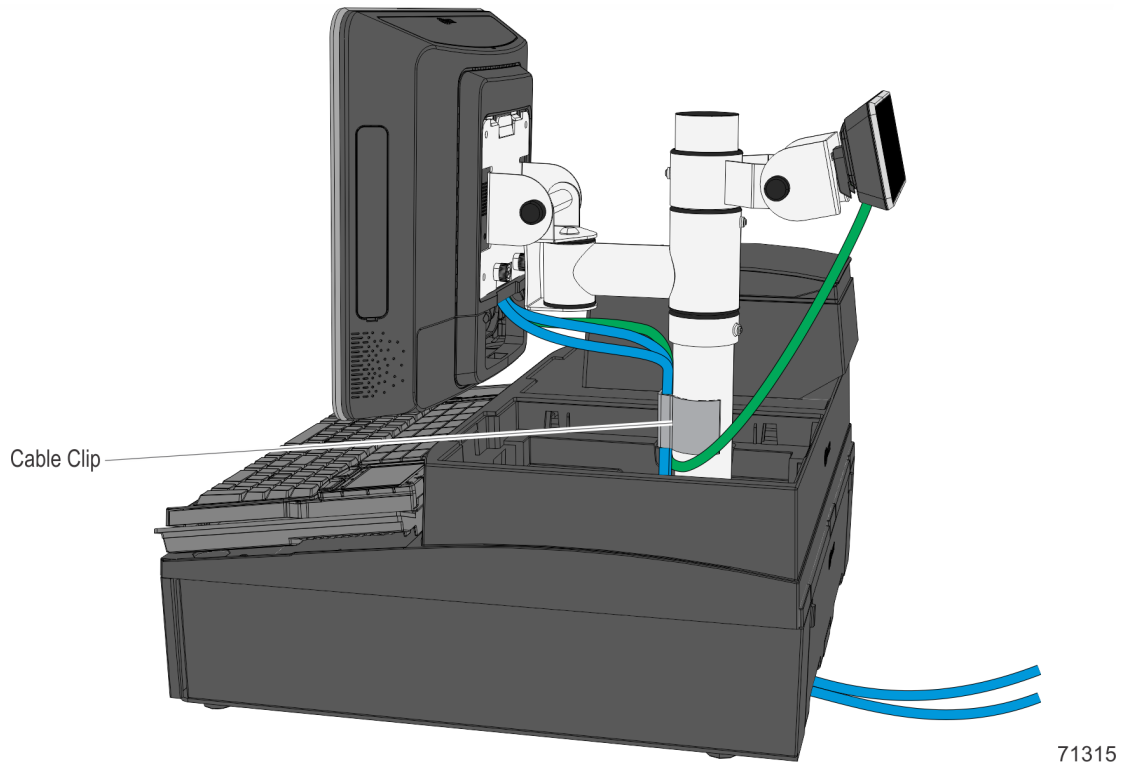


COUNTERTOP WITHOUT HOLE



COUNTERTOP WITH HOLE

10. Install the Cable Clip to secure the cables.



11. Add the integration tray cover.

