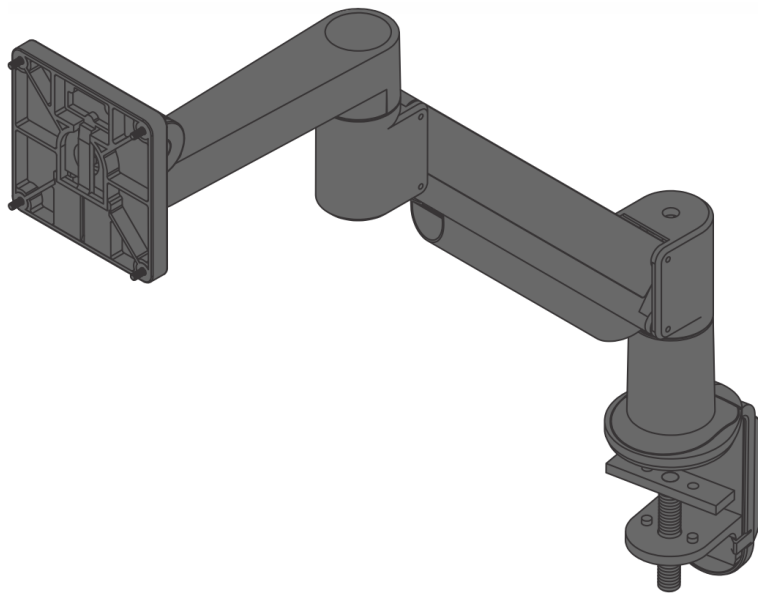




Radial Arm Mount with Quick Connect VESA Plate

Kit Instructions



1668-K004

Issue A

Copyright

The product described in this document is a licensed product of NCR Voyix Corporation.

NCR CX7 All-in-One POS (7772) is a trademark of NCR Voyix Corporation in the United States and/or other countries. Other product names mentioned in this publication may be trademarks or registered trademarks of their respective companies and are hereby acknowledged.

Where creation of derivative works, modifications or copies of this NCR Voyix copyrighted documentation is permitted under the terms and conditions of an agreement you have with NCR Voyix, NCR Voyix's copyright notice must be included.

It is the policy of NCR Voyix Corporation to improve products as new technology, components, software, and firmware become available. NCR Voyix, therefore, reserves the right to change specifications without prior notice.

All features, functions, and operations described herein may not be marketed by NCR Voyix in all parts of the world. In some instances, photographs are of equipment prototypes. Therefore, before using this document, consult with your NCR Voyix representative or NCR Voyix office for information that is applicable and current.

Copyright © 2022–2024
By NCR Voyix Corporation
Atlanta, Georgia, USA
All Rights Reserved

Table of Contents

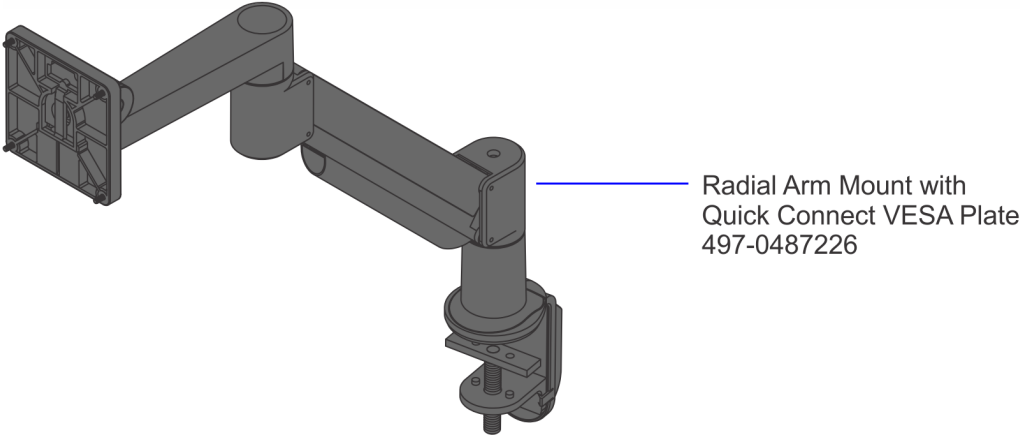
Copyright	2
Radial Arm Mount with Quick Connect VESA Plate	5
Introduction	5
Installation Procedure	6
Counterbalancing the Arm	17

Revision Record

Issue	Date	Remarks
A	May 2022	First issue.

Radial Arm Mount with Quick Connect VESA Plate

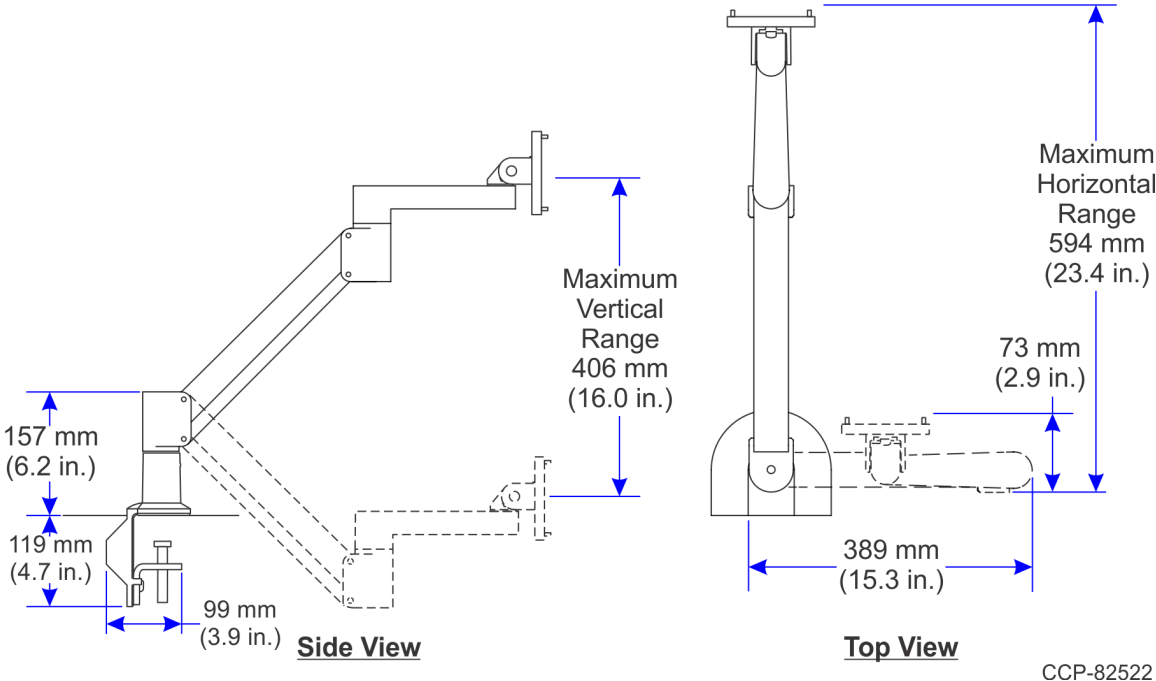
Introduction



CCP-82521

This kit provides a Radial Arm Mount with a 100 mm Quick Connect VESA Plate. It permits a 2.3 to 7.7 kg (5.0 to 17.0 lbs) display to be mounted on a wall or a tabletop.

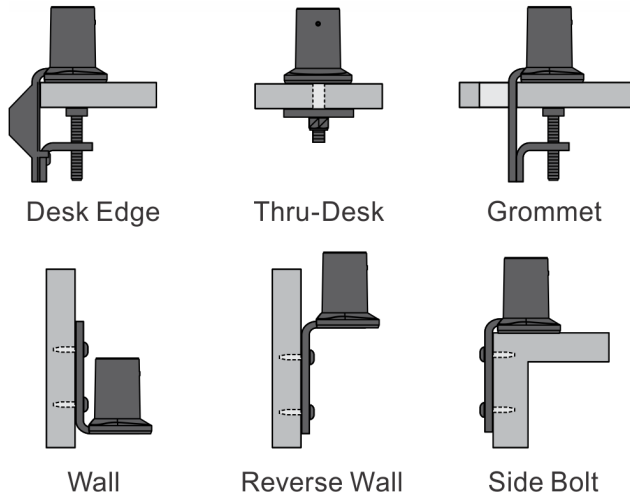
The Radial Arm Mount allows for easy vertical and horizontal repositioning of the display.



Confidential and proprietary information of NCR Voyix.
Use and disclose solely pursuant to company instructions.

Installation Procedure

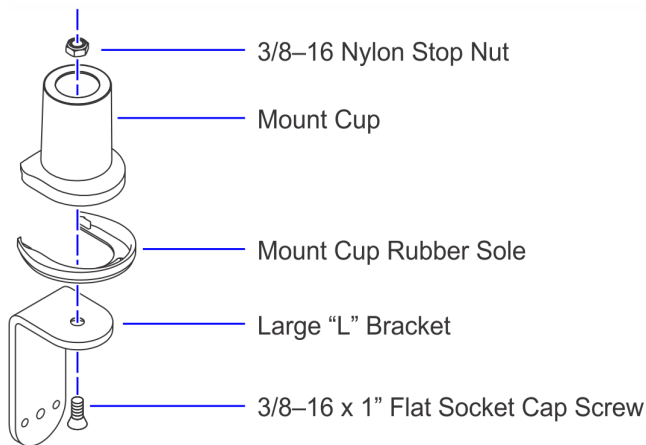
1. Install the Mount on a tabletop or on a wall. There are six possible configurations.



CCP-82523

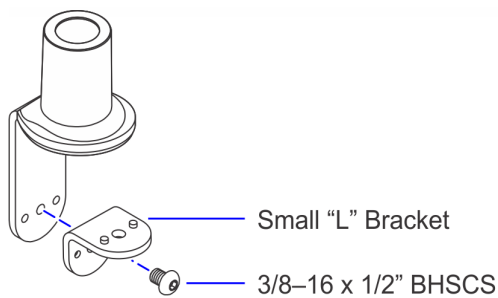
Desk Edge

a. Assemble the Mount Cup, Mount Cup Rubber Sole, and Large "L" Bracket using the 3/8-16 x 1" Flat Socket Cap Screw and 3/8-16 Nylon Stop Nut.



CCP-82524

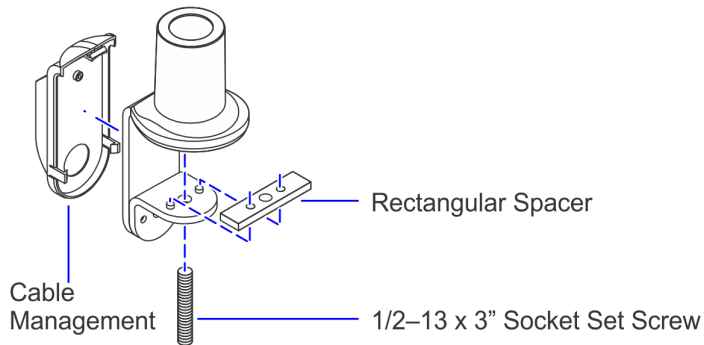
b. Install the Small "L" Bracket on the assembly using the 3/8-16 X 1/2" BHSCS.



CCP-82525

Confidential and proprietary information of NCR Voyix.
Use and disclose solely pursuant to company instructions.

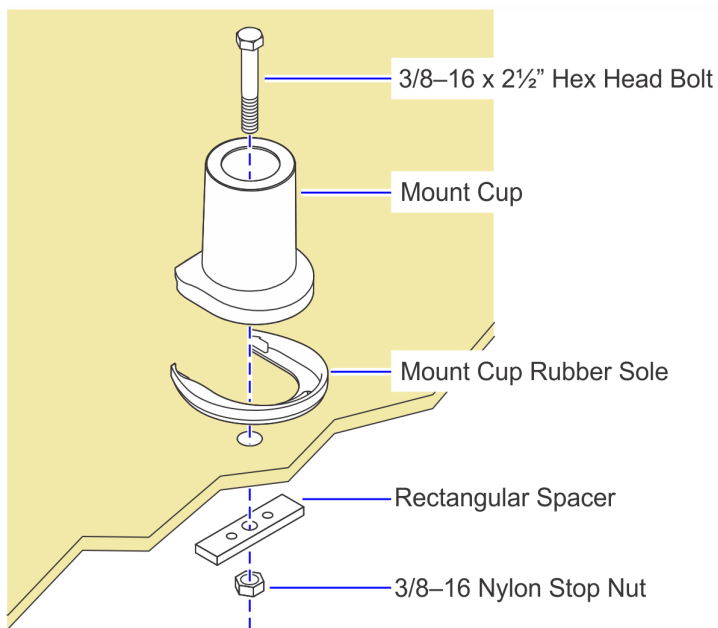
- c. Position the assembled Mount on the tabletop edge and secure it with the Rectangular Spacer and 1/2-13 x 3" Socket Set Screw. Then install the Cable Management on the assembly.



CCP-82526

Thru-Desk

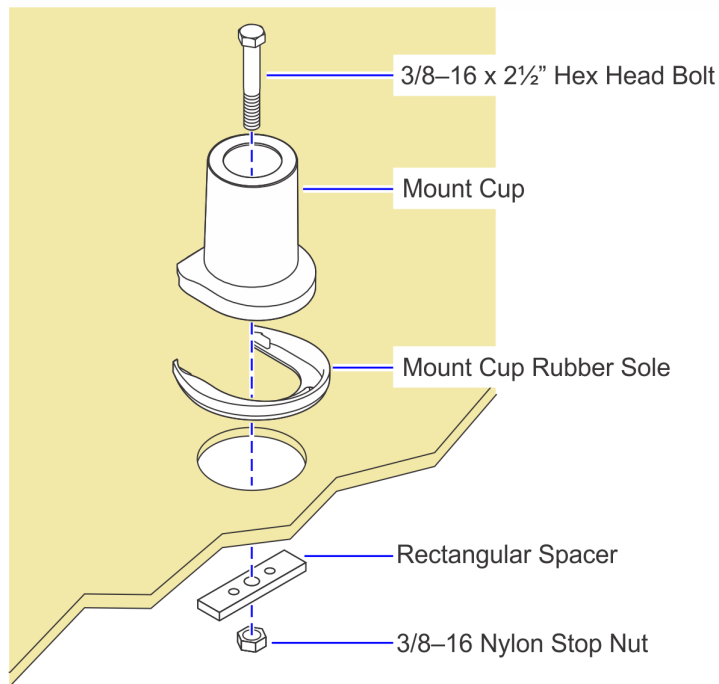
- a. Drill a 3/8" hole through the tabletop.
- b. Install the Mount Cup and Mount Cup Rubber Sole as shown.



CCP-82527

Grommet

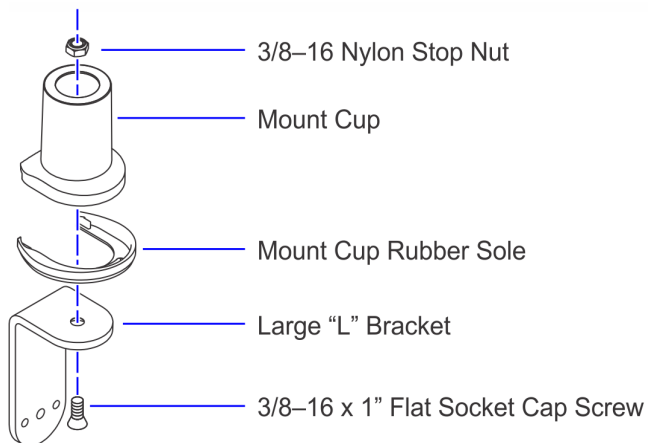
- a. Install the Mount Cup and Mount Cup Rubber Sole over the grommet hole as shown.



CCP-82528

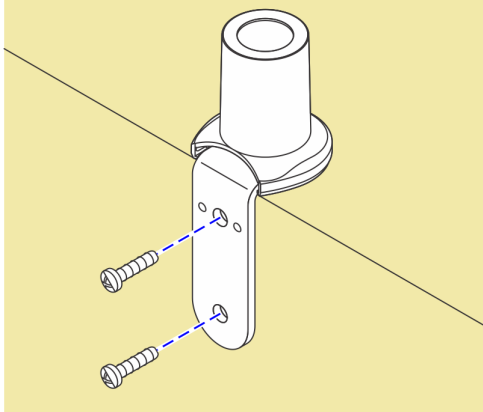
Side Bolt

- a. Assemble the Mount Cup, Mount Cup Rubber Sole, and Large "L" Bracket using the 3/8-16 x 1" Flat Socket Cap Screw and 3/8-16 Nylon Stop Nut.



CCP-82524

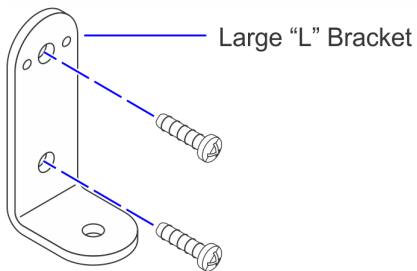
- b. Install the assembled Mount as shown using two (2) screws. Use hardware appropriate for the surface being mounted on.



CCP-82531

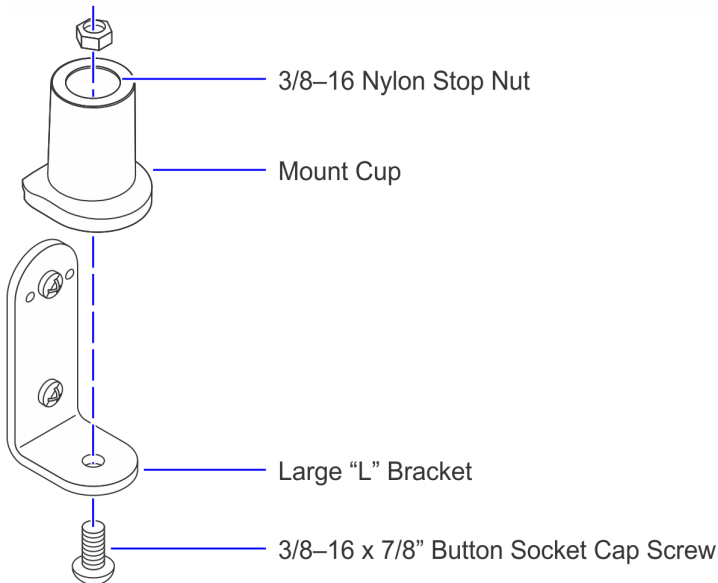
Wall

- a. Install the Large "L" Bracket on the wall in the orientation show (2 screws). Use hardware appropriate for the surface being mounted on.



CCP-82529

- b. Install the Mount Cup on the Large "L" Bracket using the 3/8-16 x 7/8" Button Socket Cap Screw and 3/8-16 Nylon Stop Nut.

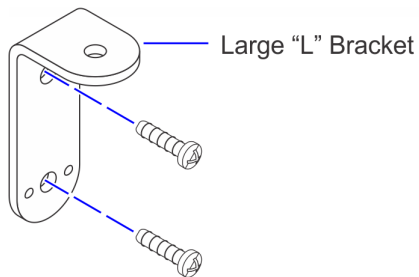


CCP-82532

Confidential and proprietary information of NCR Voyix.
Use and disclose solely pursuant to company instructions.

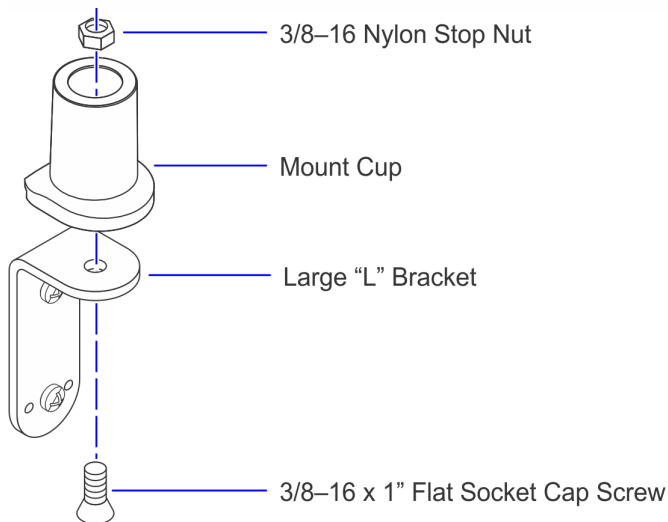
Reverse Wall

- a. Install the Large "L" Bracket on the wall in the orientation shown (2 screws). Use hardware appropriate for the surface being mounted on.



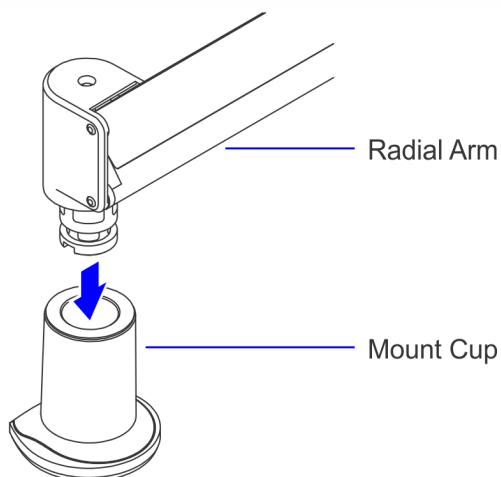
CCP-82530

- b. Install the Mount Cup on the Large "L" Bracket using the 3/8-16 x 1" Flat Socket Cap Screw and 3/8-16 Nylon Stop Nut.



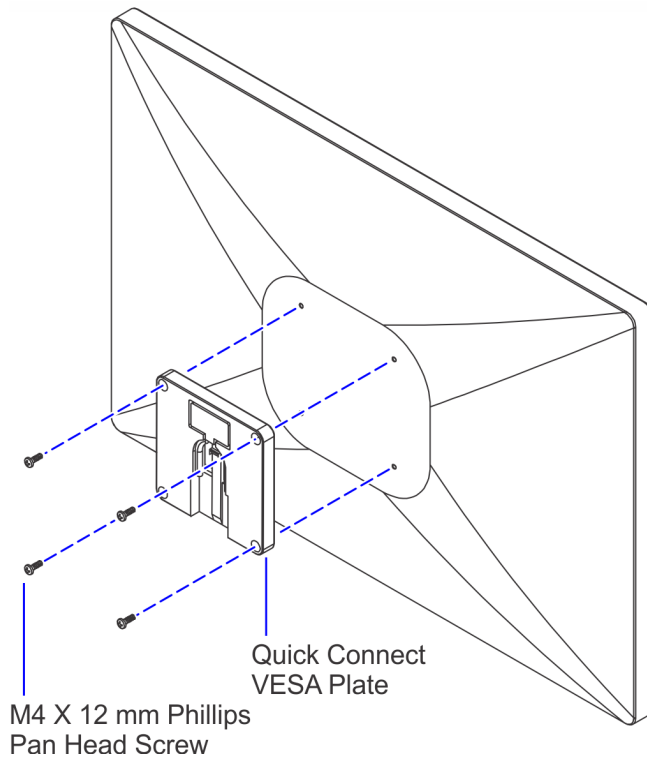
CCP-82533

2. Install the Radial Arm on the Mount Cup.



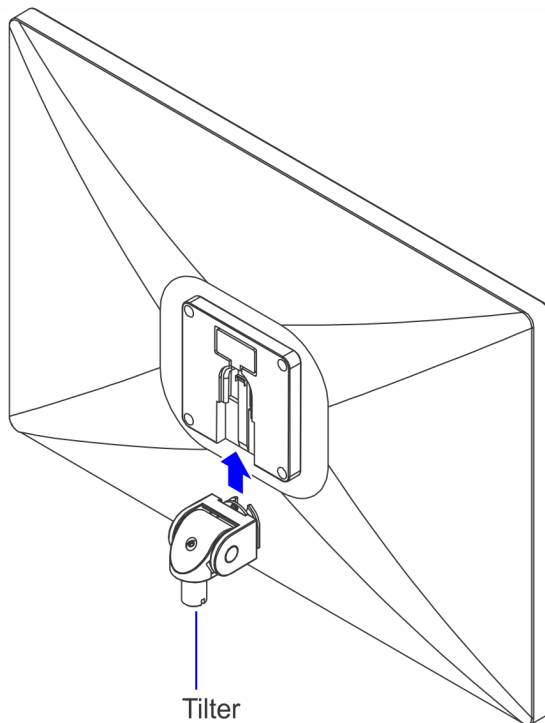
CCP-82534

3. Install the Quick Connect VESA Plate on the display using four (4) M4 x 12 mm Phillips Pan Head Screws.



CCP-82535

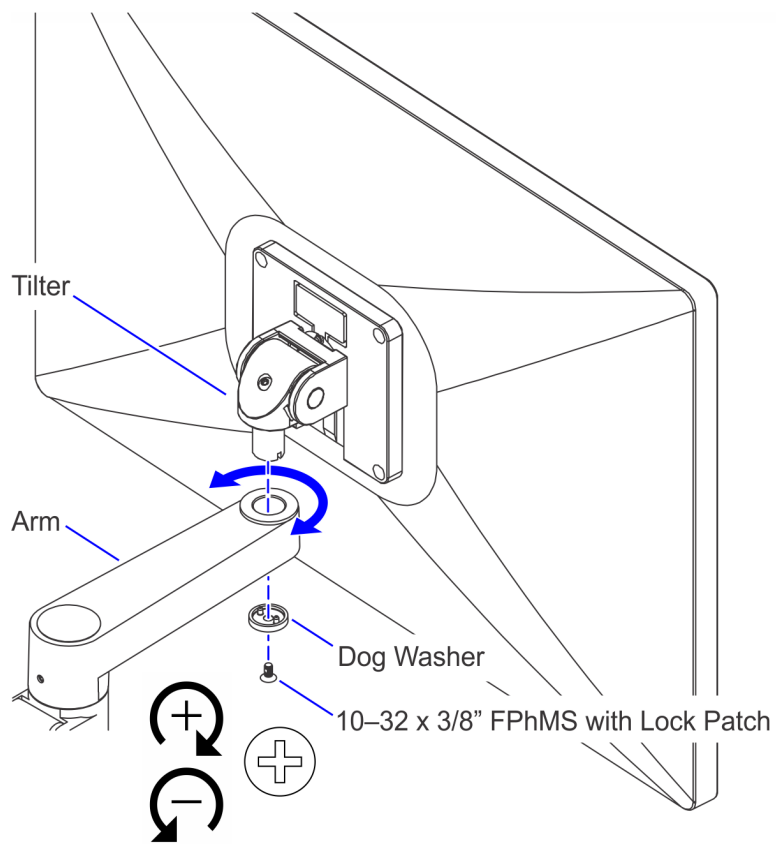
4. Insert the Tilter into the Quick Connect VESA Plate until it clicks into place.



CCP-82536

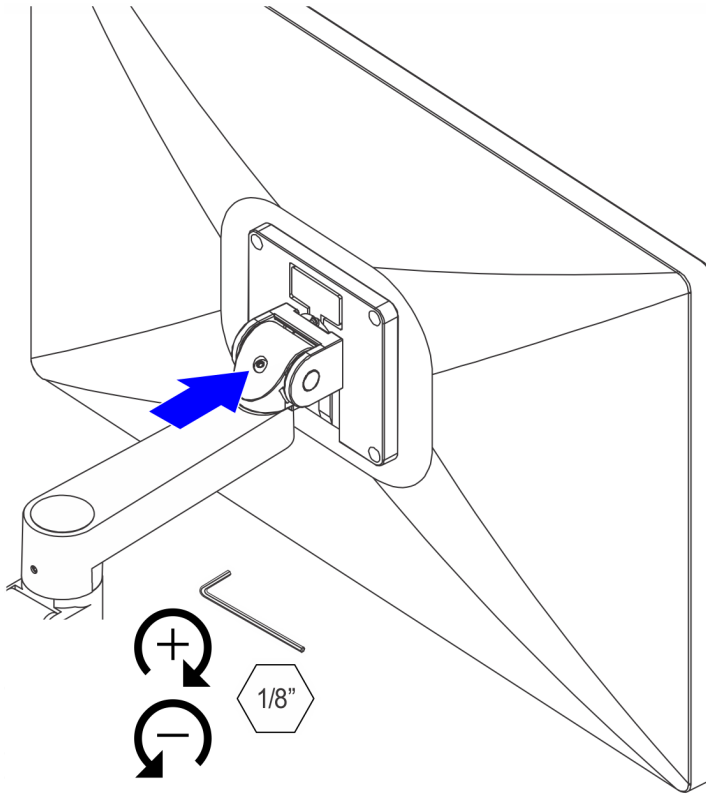
Confidential and proprietary information of NCR Voyix.
Use and disclose solely pursuant to company instructions.

5. Install the Tilter on the Arm using the Dog Washer and 10-32 x 3/8" FPhMS with Lock Patch.



CCP-82537

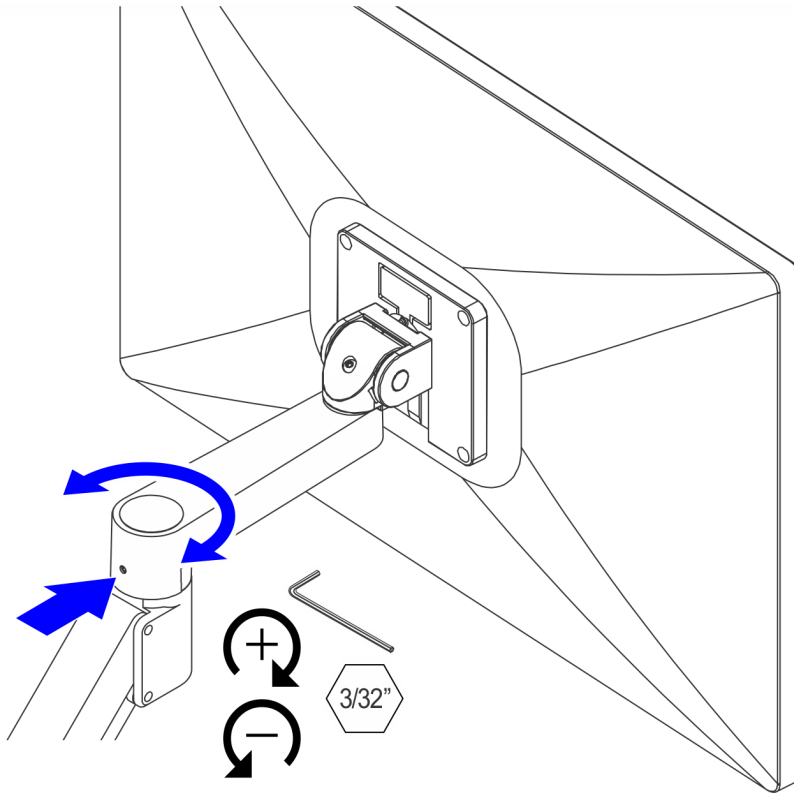
6. Use a 1/8" Allen Wrench to adjust the tilt angle of the display.



CCP-82538

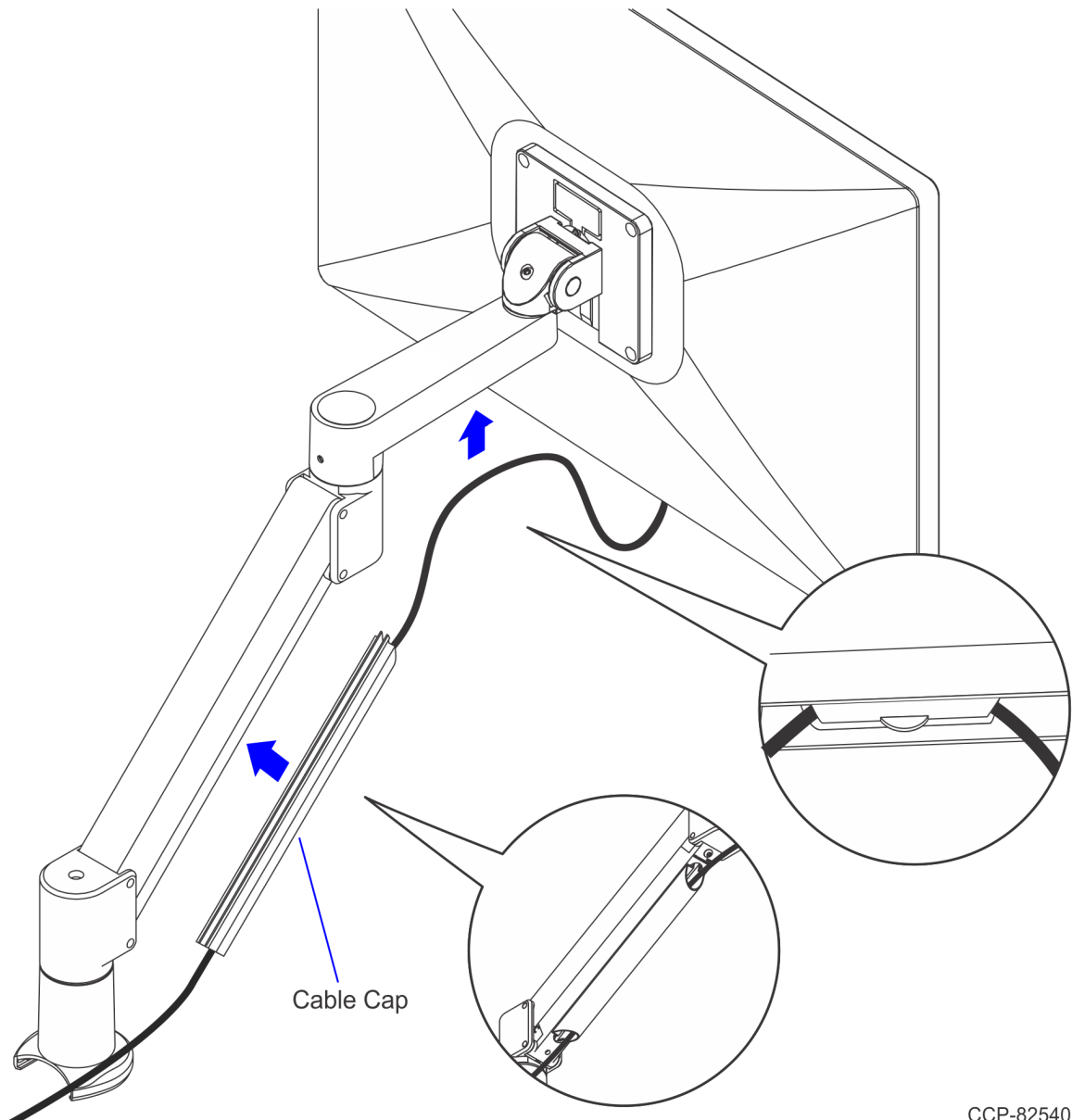
7. Check and adjust the Arm for counterbalance. For more information, refer to ["Counterbalancing the Arm"](#) on page 17.

8. Use a 3/32" Allen Wrench to adjust the horizontal rotation of the arm at the joint as shown.



CCP-82539

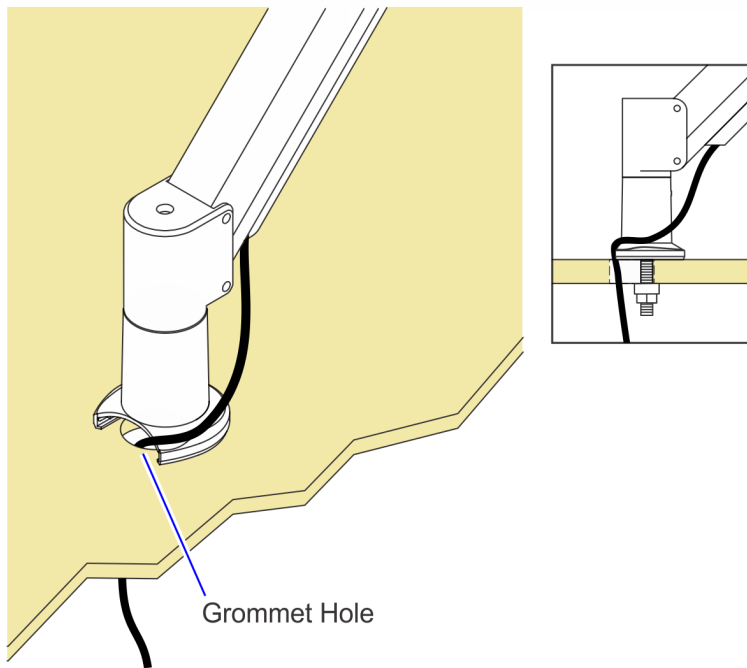
9. Route the cable as shown and secure the cable on the arm using the Cable Cap.



CCP-82540

Note

If the Mount Cup is installed over a grommet hole, route the cable down through the hole.



CCP-82541

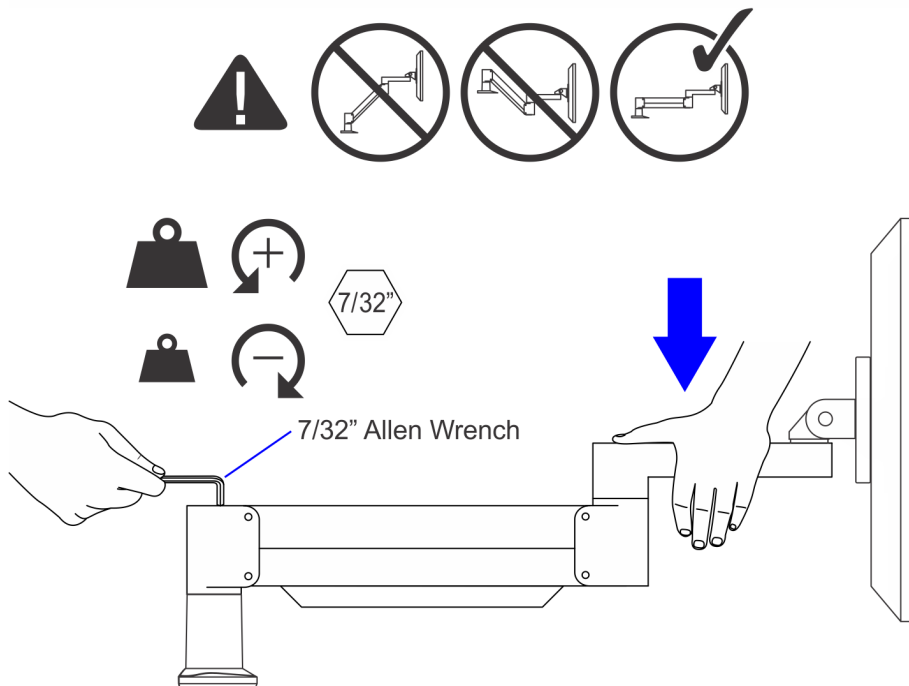
Counterbalancing the Arm

To counterbalance the arm, follow these steps:

1. Press the arm down to approximately parallel with the tabletop then use a 7/32" Allen Wrench to turn the strength adjustment screw. If the Arm drifts upward, turn the adjustment screw clockwise. If the Arm drifts downward, turn the adjustment screw counter-clockwise.

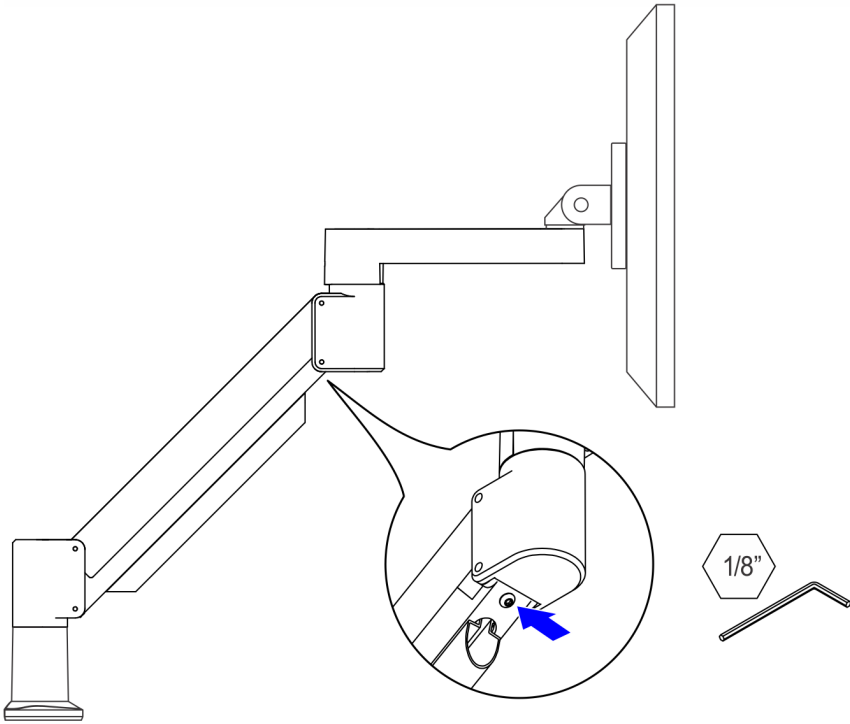
Note

Depending on the weight of the display, the adjustment screw may have to be turned 15 to 20 times.



CCP-82542

2. If the Arm is not staying in position after performing step 1, use a 1/8" Allen Wrench to tighten the adjustment screw in the location shown.



CCP-82543