

2183-K897-K899

# Keylock Cylinder Replacement Kit Instructions



Issue A

# Revision Record

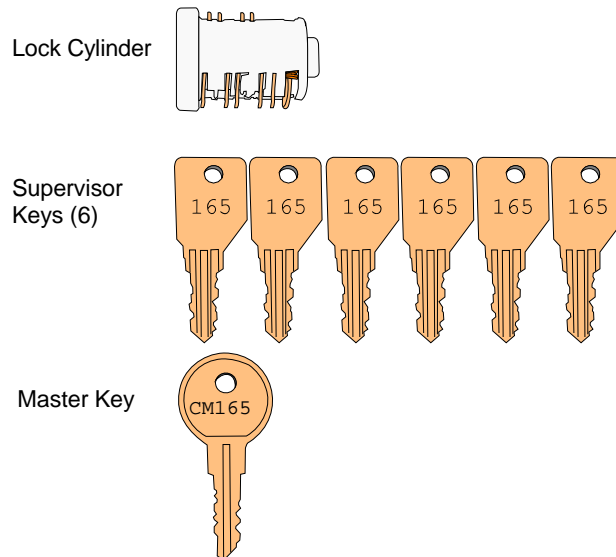
Issue	Date	Remarks
A	June 2005	First issue

## Introduction

This kit contains a replacement Cylinder for the NCR 2183 Cash Drawer Keylock. There are three kits with three unique Lock Cylinders and Key Sets.

- 2183-K897 (Key Set #120)
- 2183-K898 (Key Set #160)
- 2183-K899 (Key Set #165)

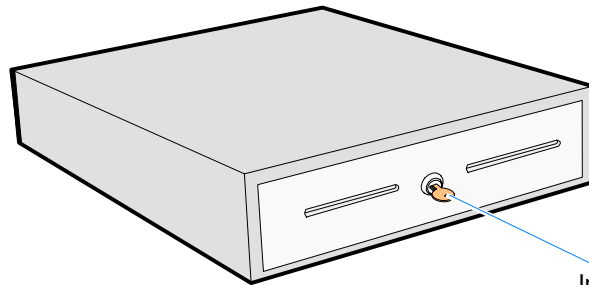
Each kit contains one Lock Cylinder, six Supervisor Keys, and one Master Key. The Master Key is used to remove/install cylinders into the cash drawer. The Key Set number is stamped on each component.



## Installation Procedure

This procedure explains how to remove and replace the Lock Cylinder in the Cash Drawer Keylock.

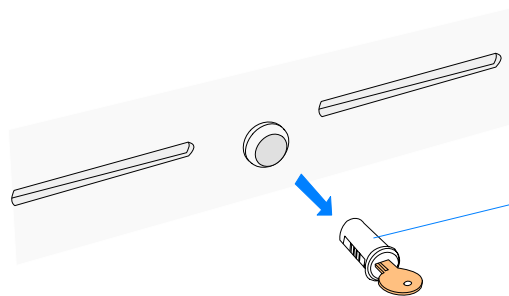
1. Unlock the Cash Drawer Keylock and remove the Operator Key.
2. Insert the Master Key completely into the Cash Drawer Keylock.



Insert Master Key Completely

22603

3. Slowly remove the key and Lock Cylinder out of the Cash Drawer Keylock.

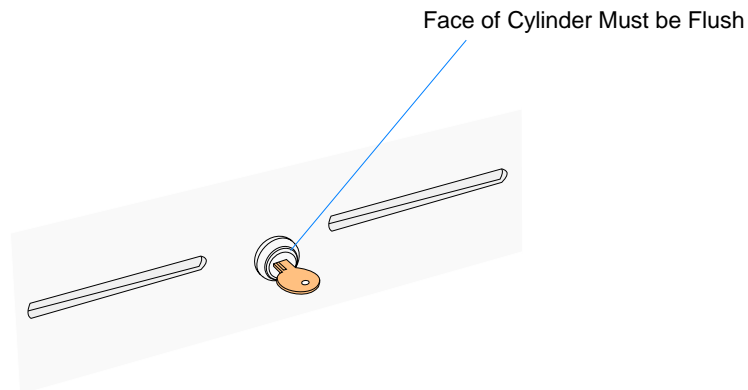


Lock Cylinder

22603

4. Remove the Master Key from the Lock Cylinder.
5. Insert the Master Key completely into the new Lock Cylinder.

6. Insert the key and Lock Cylinder into the Cash Drawer Keylock. The face of the cylinder must be flush with the face of the Keylock Housing. If the cylinder does not sit flush, remove it. Rotate the cylinder 90 degrees from its original position and re-insert it, checking to see if it sits flush with the face of the Keylock. If necessary, continue to rotate it in 90 degree increments until it will seat properly into the housing.



22605

7. Hold the cylinder in place and remove the Master Key.
8. Check all of the Supervisor Keys to make sure the new Lock Cylinder operates properly.