

2336-K037

Pedestal Kit with Wide Keyboard Shelf

Kit Instructions



Issue D

Revision Record

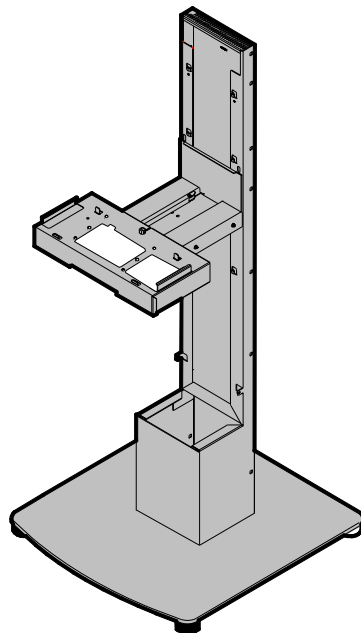
Issue	Date	Remarks
A	Feb 2002	First issue
B	May 2005	Added Rugged Keyboard
C	May 2007	Added 7404 support
D	June 2007	Added pedestal floor bolting procedure

Introduction

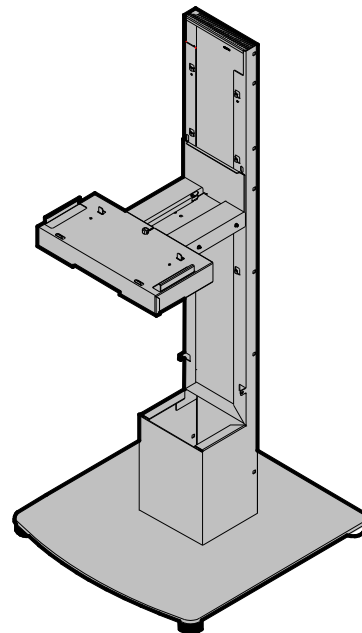
The 2336-K037 kit is used to mount an NCR 7402/7404/7409 w/Fixed Angle Mount, a keyboard, and an optional printer (7402-K592) to a pedestal. The mount supports the following keyboards (ordered separately):

- 2336-K020 Cherry Keyboard w/Trackball; PS/2 Serial.
 - This keyboard requires Serial Converter 2336-K021 when connecting to a 7401, which does not have a mouse port.
- 2336-K100 Cherry Keyboard w/Trackball; PS/2 Serial.
 - This keyboard requires Serial Converter 2336-K101 when connecting to a 7401, which does not have a mouse port.
- 2336-K634 Cherry Keyboard w/Trackball; USB
- 2336-K212 Rugged Storm Keyboard US Layout; USB
- 2336-K213 Rugged Storm Keyboard UK Layout; USB

Note: The 2336-K212/K213 Rugged Storm Keyboards can only be installed on new style 2337-K037 kits. Note below how the new style has openings in the keyboard shelf.



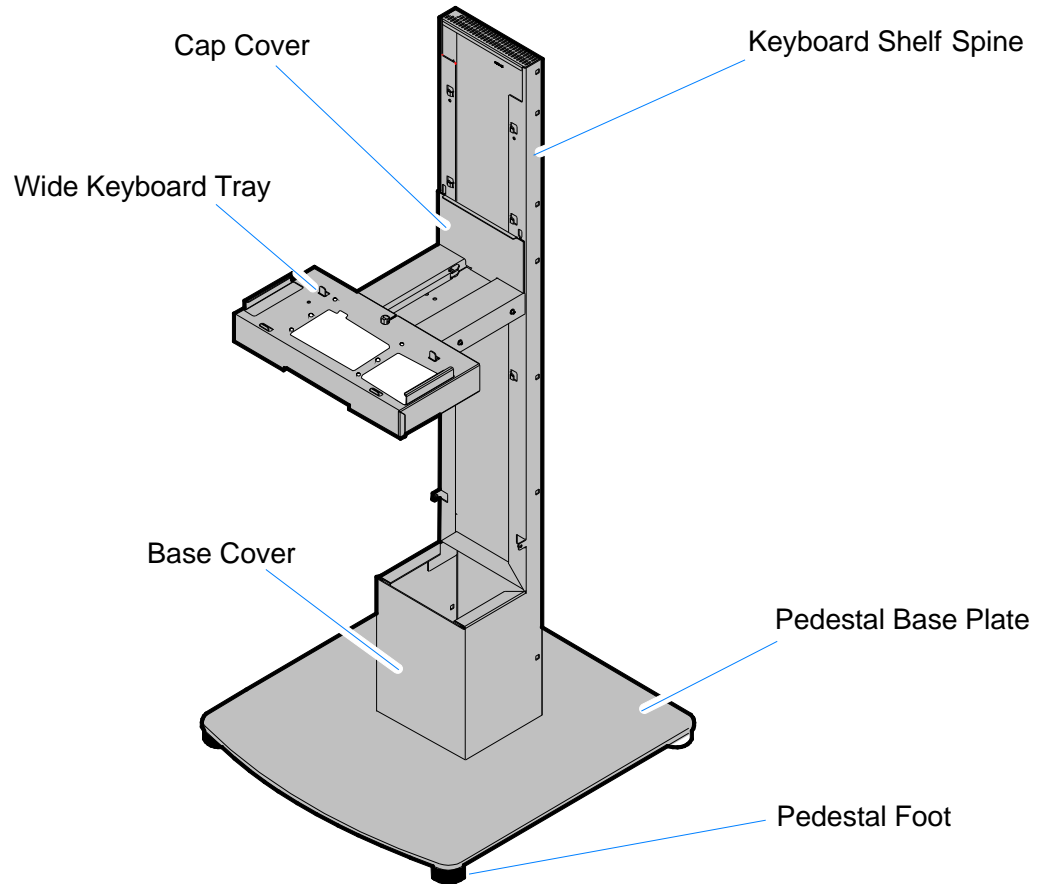
New Style



Old Style

The 2336-K037 Pedestal Kit includes:

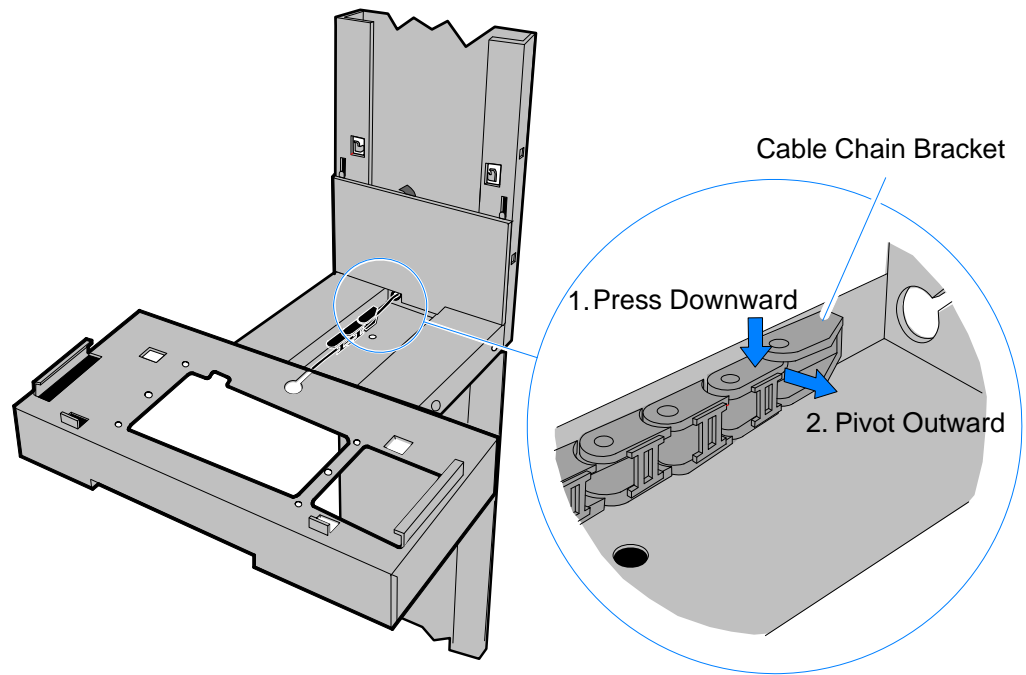
- Floor Standing Keyboard Shelf, comprised of:
 - Keyboard Shelf Spine
 - Cap Cover
 - Base Cover
 - Pedestal Base Plate
 - Pedestal Foot
- Wide Keyboard Tray



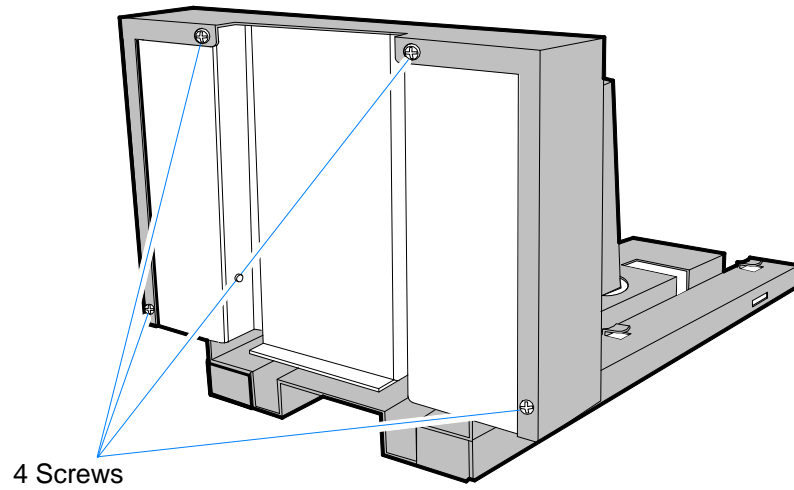
Installation Procedure

Installing the Keyboard

1. Release the Cable Chain from the Cable Chain Bracket by pushing down and out on the last link in the Cable Chain Link as shown below.

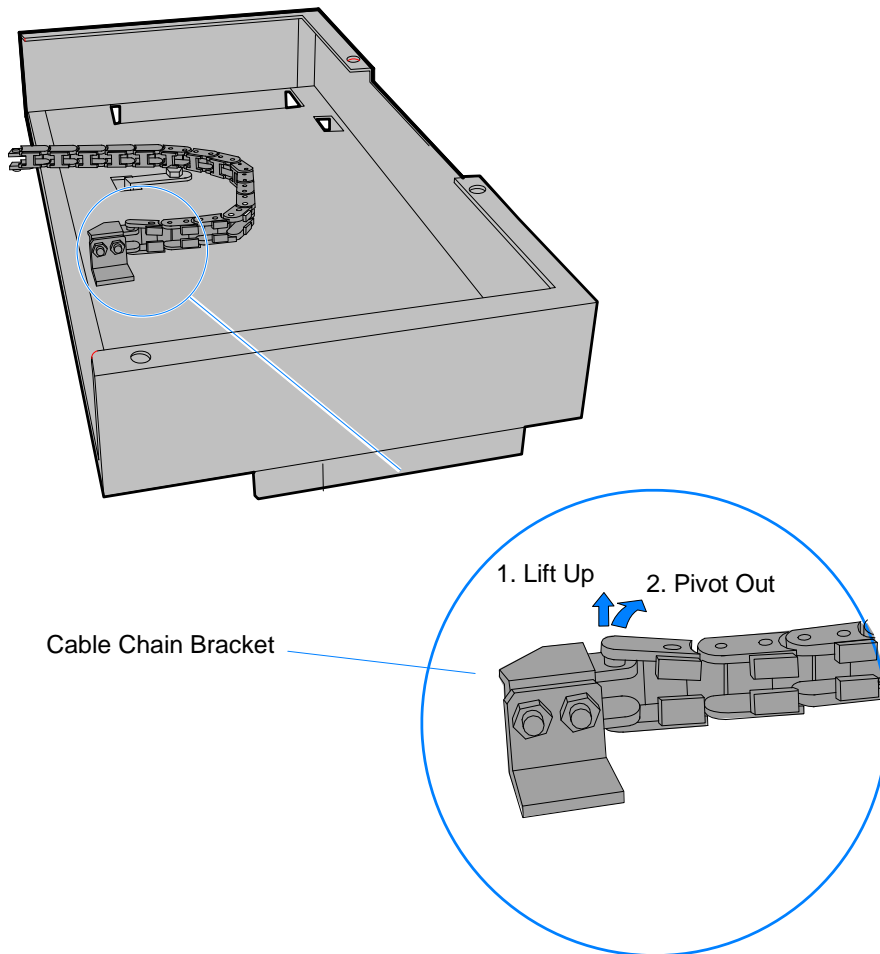


2. Remove the screws that secure the Keyboard Shelf to the Bottom Plate.



17364

3. Remove the Keyboard Shelf from the Bottom Plate.
4. Release the Cable Chain from the Cable Chain Bracket by lifting up on the last link in the Cable Chain and pivoting it out.

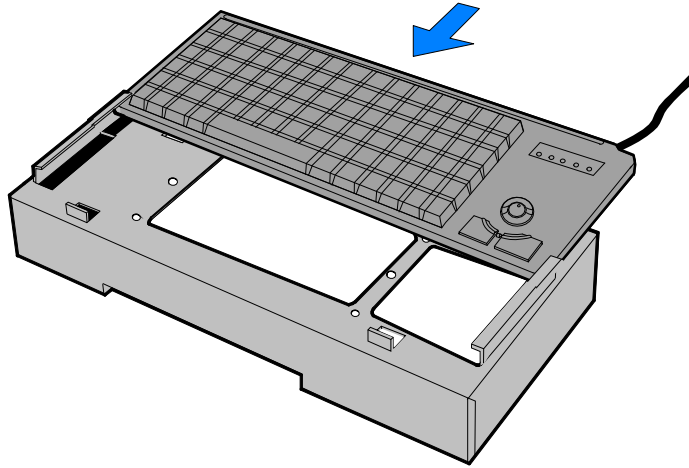


18523

5. Install the Keyboard. The Keyboard installation procedures vary, depending on which keyboard you have.

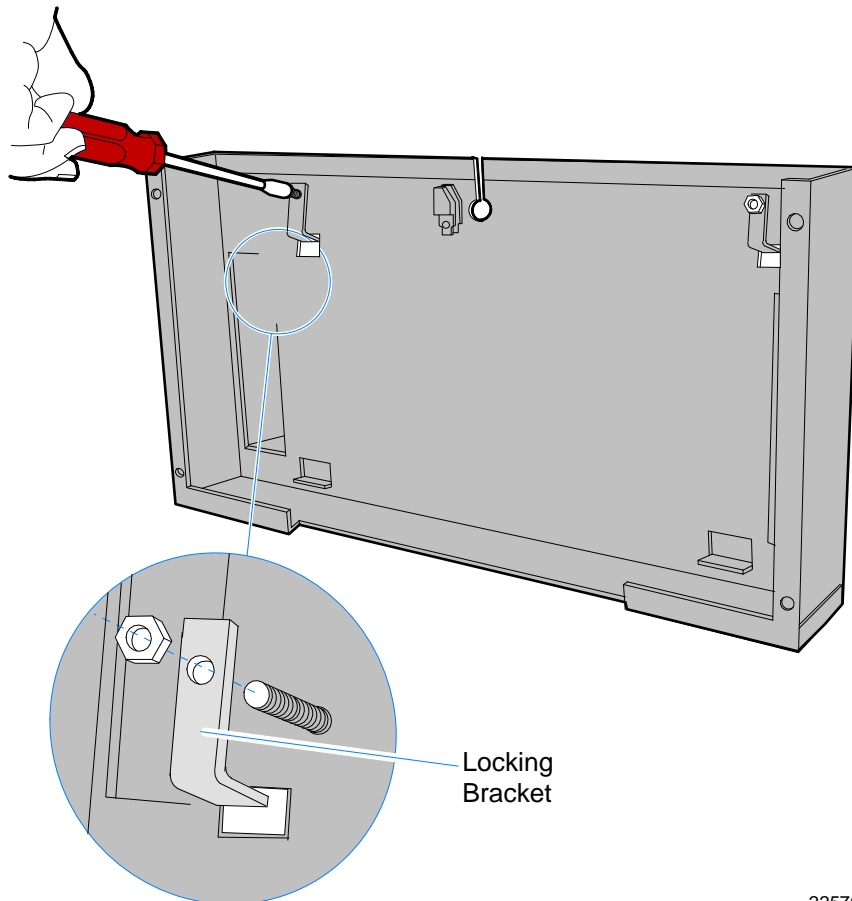
2336-K020, 2336-K100 or 2336-K634 Cherry Keyboard w/Trackball

- a. Insert the Keyboard into the Keyboard Shelf.



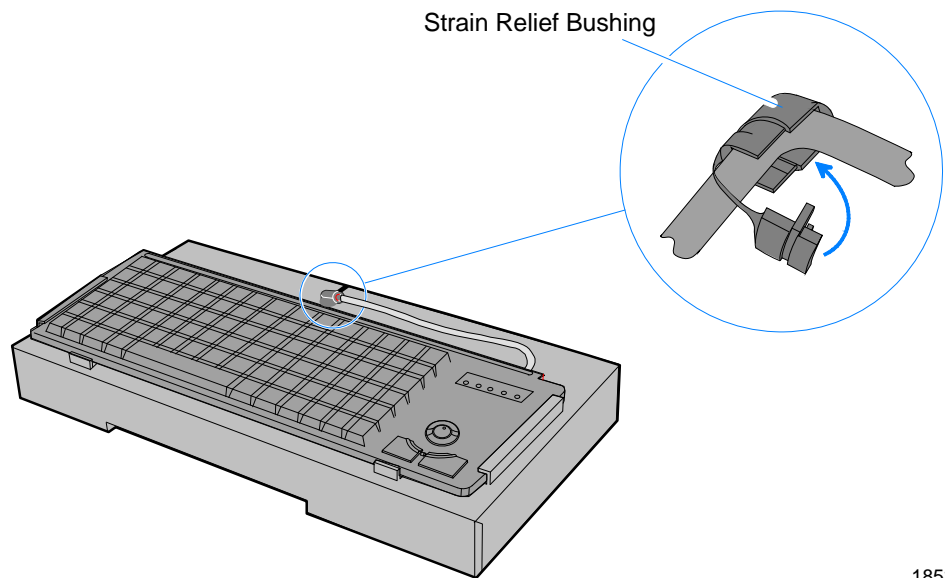
18524

- b. Using a nut driver, install the two Keyboard Locking Brackets.



22579

- c. Route the Keyboard Cable through the channel in the Keyboard Shelf and then install a Strain Relief Bushing.



18526

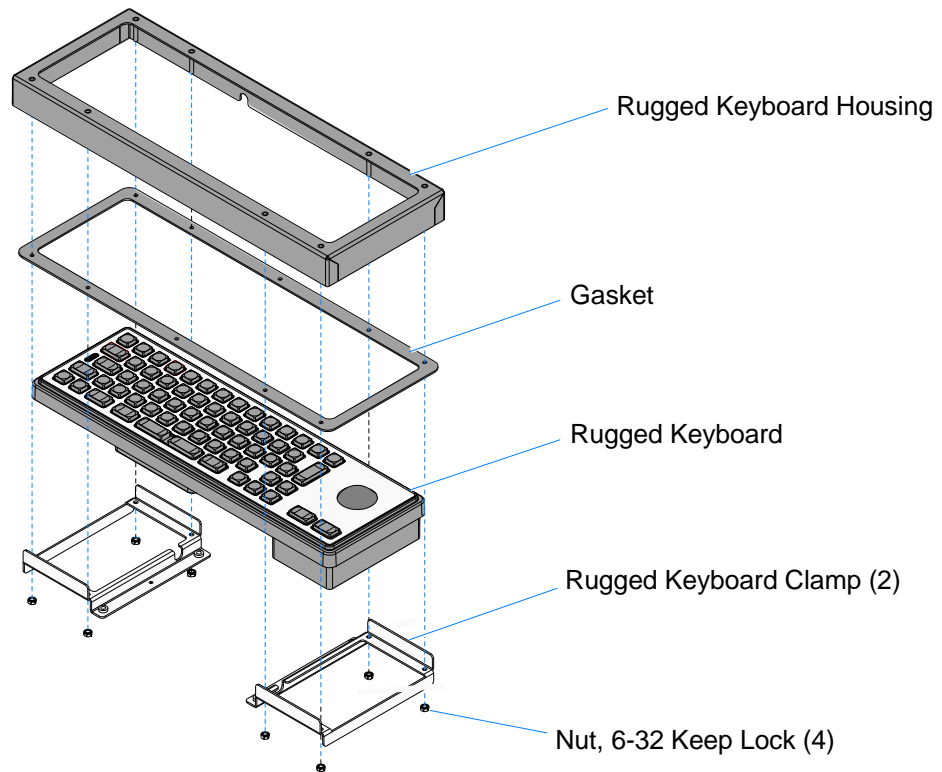
- d. Proceed to Step #6.

2336-K212/K213 Rugged Keyboard w/Trackball

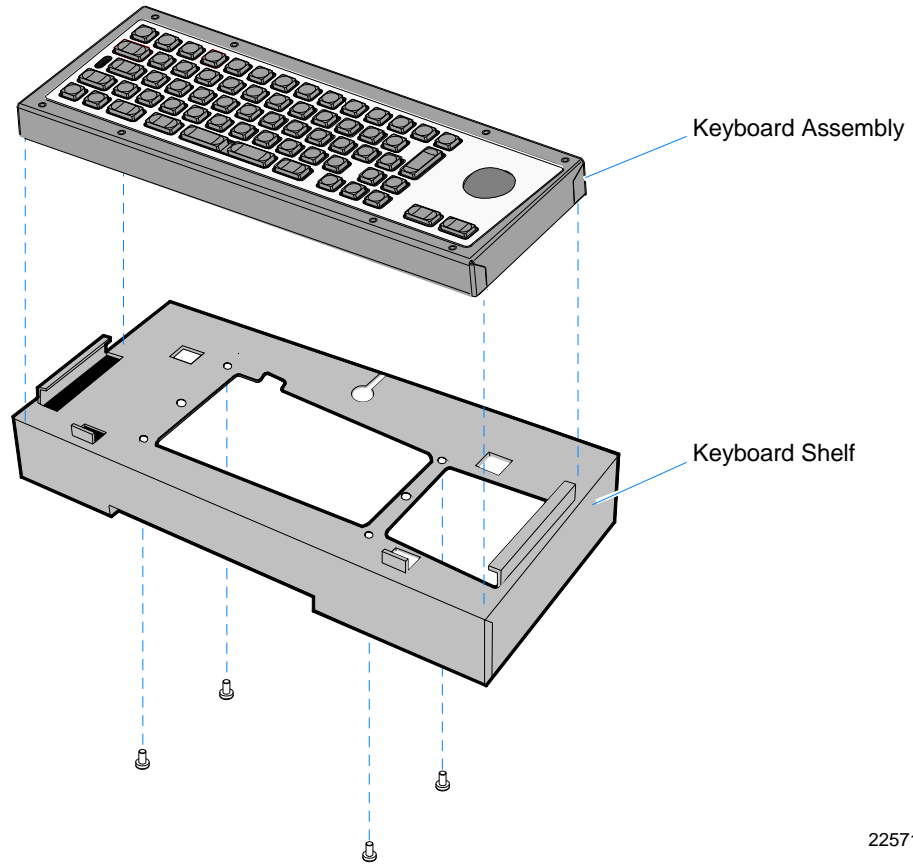
Note: The *Rugged Keyboard* requires the Rugged Keyboard Mount kit (7402-K569) in order to install the keyboard on the mount. This kit includes everything shown below except the keyboard.

- a. Insert the Gasket into the bottom of the Rugged Keyboard Housing.
- b. Insert the Rugged Keyboard into the bottom of the Rugged Keyboard Housing.
- c. Install the two Rugged Keyboard Clamps (four nuts each).

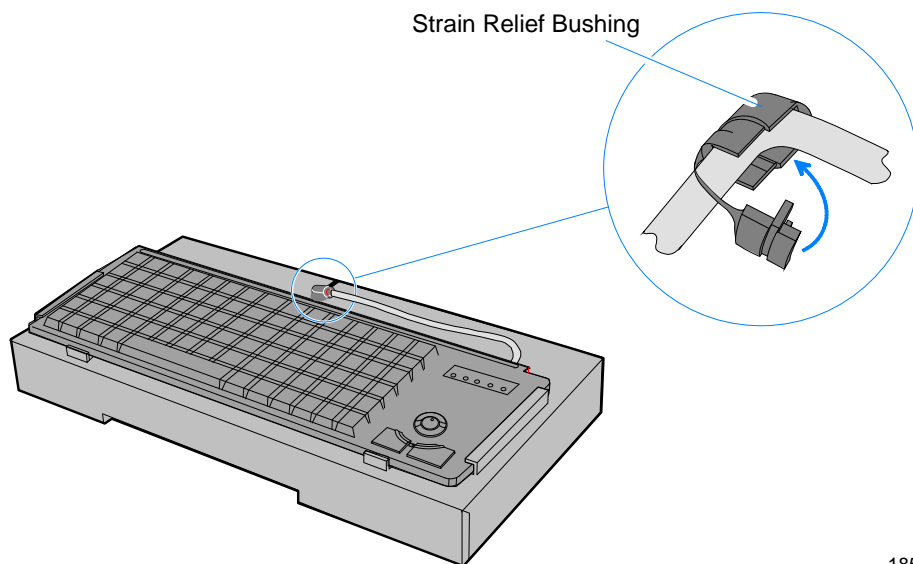
Caution: Evenly tighten the nuts before applying the final torque to secure the Rugged Keyboard Clamps. **DO NOT** over tighten the nuts as this can deform the Rugged Keyboard Housing.



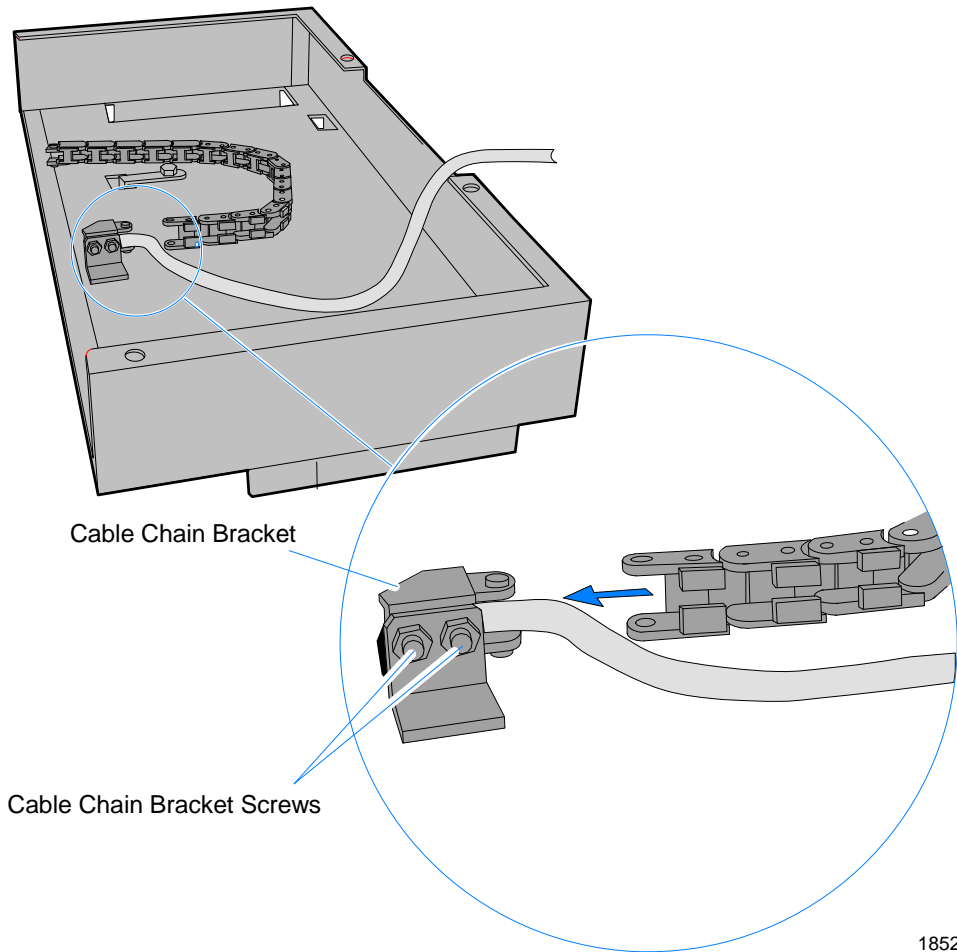
- d. Install the Keyboard Assembly onto the Keyboard Shelf and secure it with screws (4).



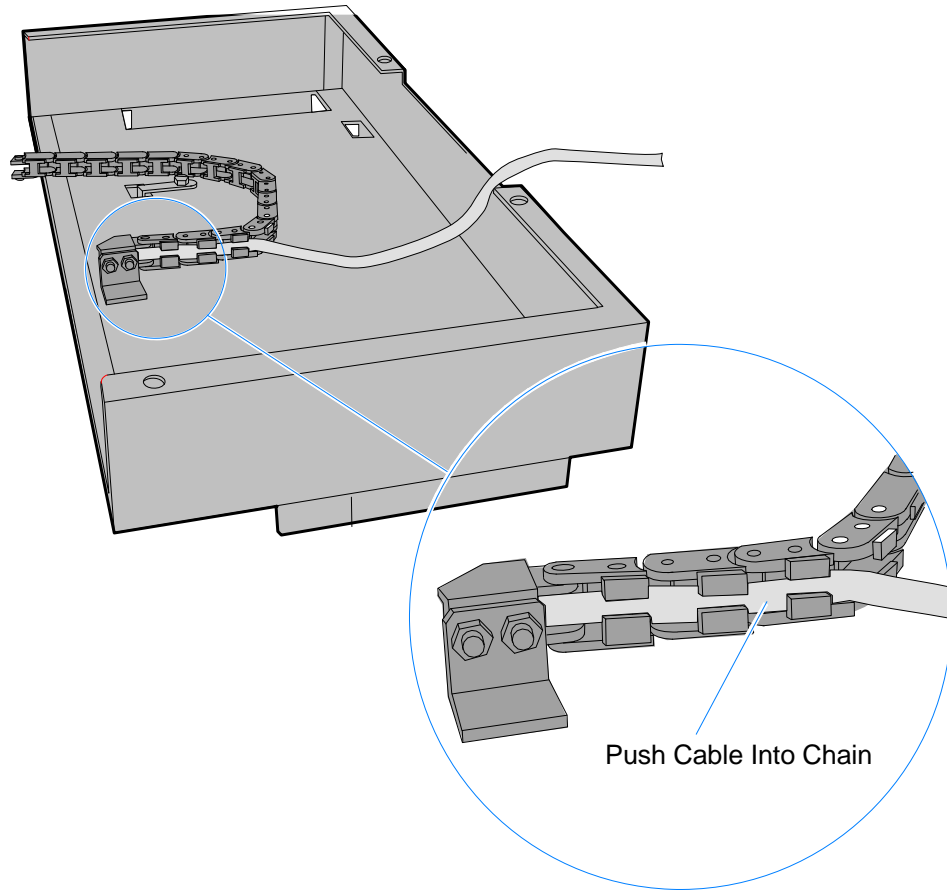
- e. Route the Keyboard Cable through the channel in the Keyboard Shelf and then install a Strain Relief Bushing.



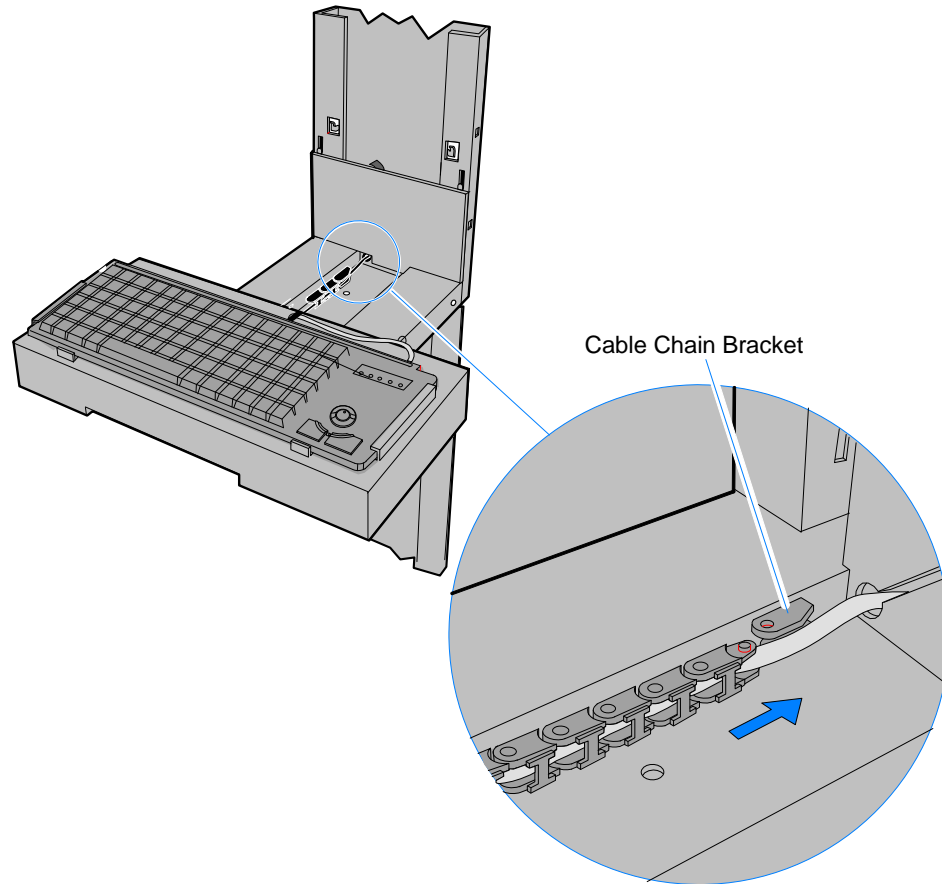
6. Route the Keyboard Cable through the Cable Chain Bracket and then connect the Cable Chain onto the Cable Chain Bracket.



7. Route Keyboard Cable through the split side of the Cable Chain links.



8. Extend the Mounting Plate fully forward.
9. Route the Keyboard Cable through the Mounting Bracket.
10. Slide the Keyboard Shelf onto the Bottom Plate and install the four screws.
11. Connect the Cable Chain to the Cable Chain Bracket.



22575

12. Install a Strain Relief Bushing where the cable exits the Mounting Bracket.

Installing the Terminal

The following sections identify cables requirements and describe how to install the 2336-K037 Pedestal Kit.

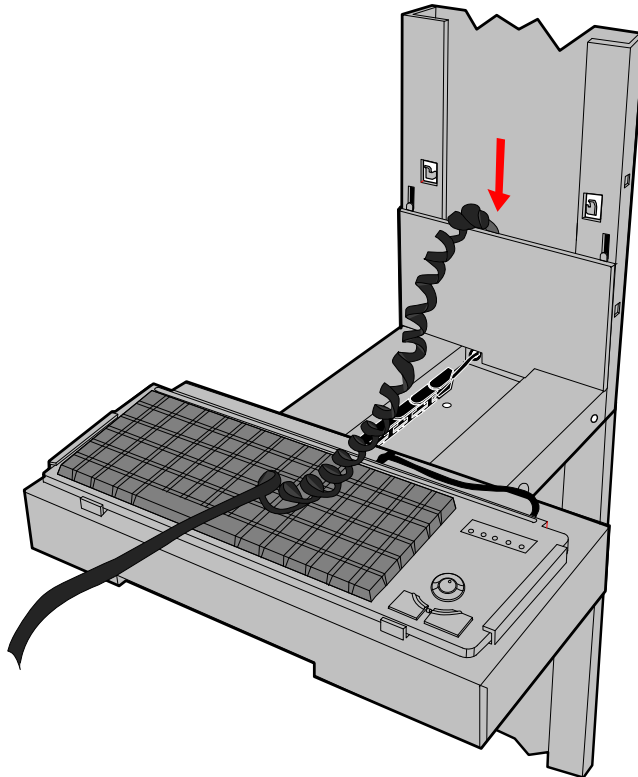
Cables Needed for Installation

Following is a list of the cables used when installing a full configuration of the 2336-K037, including the NCR 4055 UPS, a 7402-K592 Self Service Printer, and the PowerMon II software.

- Ethernet LAN (497-0420456) (1416-C672-0030)
- Terminal Power Supply (on the Fixed-Angle Mount)
- Scanner Serial (on the Fixed-Angle Mount)
- UPS Serial (NOV-07-75A) - delivered with PowerMon II software
- Printer Extension (497-0415919) (1416-C519-0018)
- In-house LAN (Customer Provided)

Installing the Fixed-Angle Mount

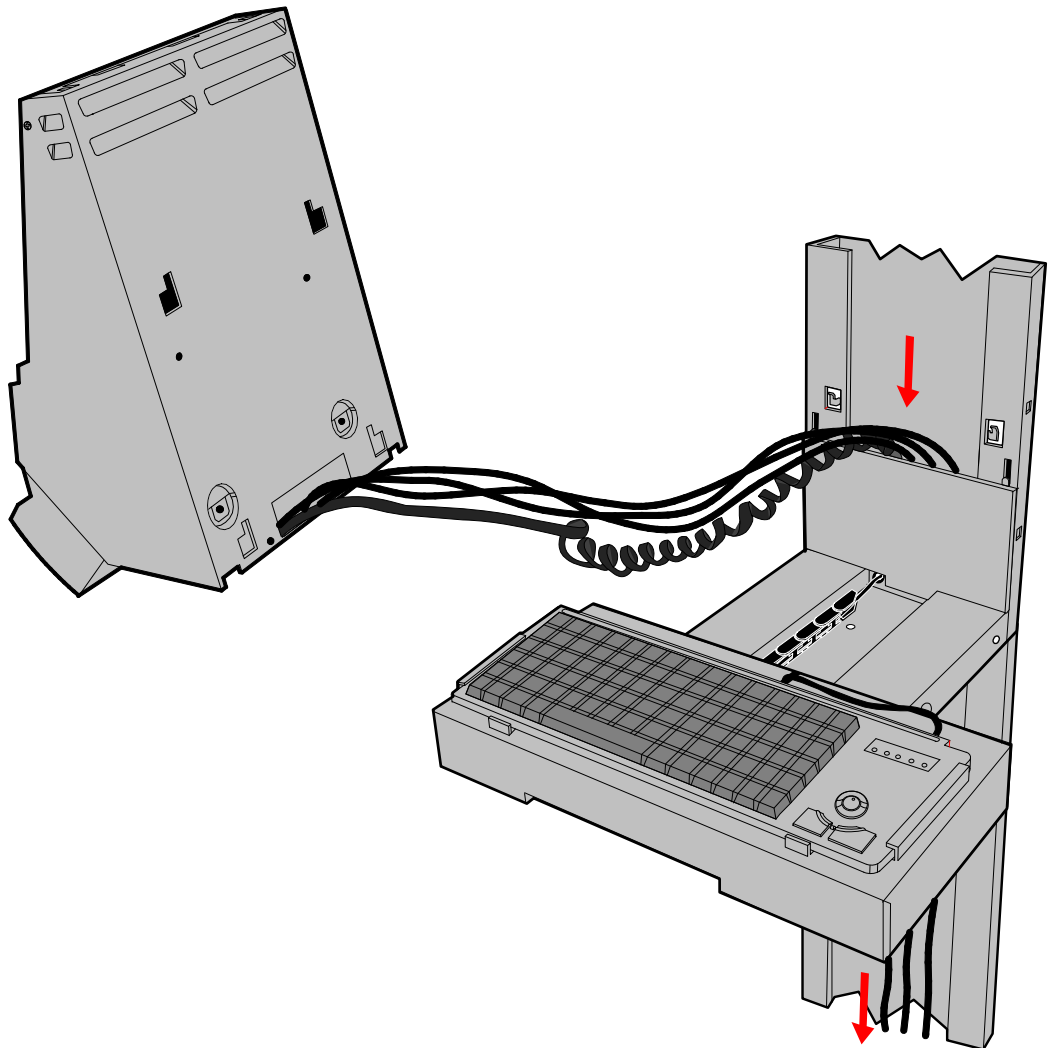
1. Slide the Cap Cover into place in the Keyboard Shelf Spine behind the keyboard. Route the keyboard cable up through the Spine behind the Cap Cover.



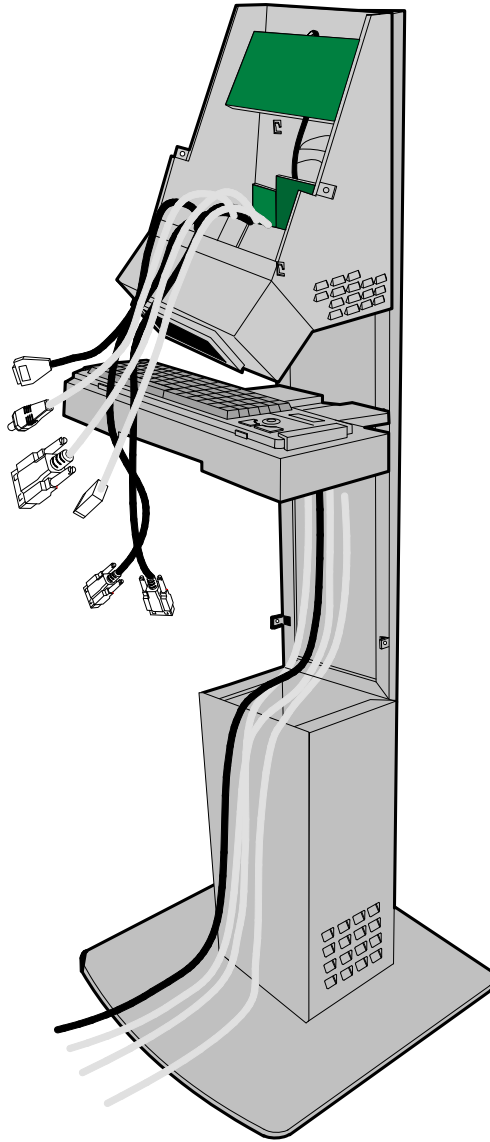
2. Route the keyboard cable through the rectangular opening in the back of the Fixed-Angle Mount.

Note: Use the rectangular opening on the back of the Fixed-Angle Mount rather than the round opening on the bottom.

3. Route the following cables through the rectangular opening in the back of the Fixed-Angle Mount and down the Spine:
 - Ethernet LAN Cable
 - Terminal Power Cable
 - UPS Serial Cable (end labeled “CPU-end” connects to terminal)
 - Printer Extension Cable (male end connects to the printer)



4. Position the Fixed-Angle Mount onto the hooks in the Spine.



19416

5. From inside the Fixed-Angle Mount, use the two 6-32 x .25 screws to attach the Fixed-Angle Mount to the Spine.
6. Attach the terminal to the Fixed-Angle Mount.

7. Connect the following cables to the terminal:

- Terminal Power Supply Cable
- Scanner Serial Cable (connect to COM1)
- Ethernet LAN Cable
- Keyboard Cable
- Printer Serial Extension Cable (connect to COM2)
- Dual Serial Port Cable (connect to COM3/COM4 dual port)

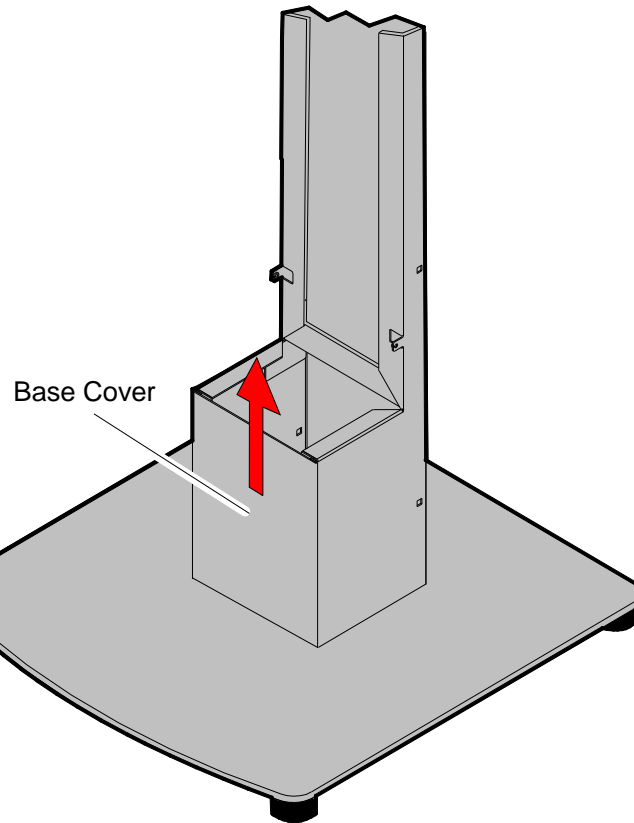
Make note of which port you connect each cable for reference when you install the software.

Note: If you are installing a printer spacer rather than a 7402-K592 printer, you do not need the Serial Extension cable.

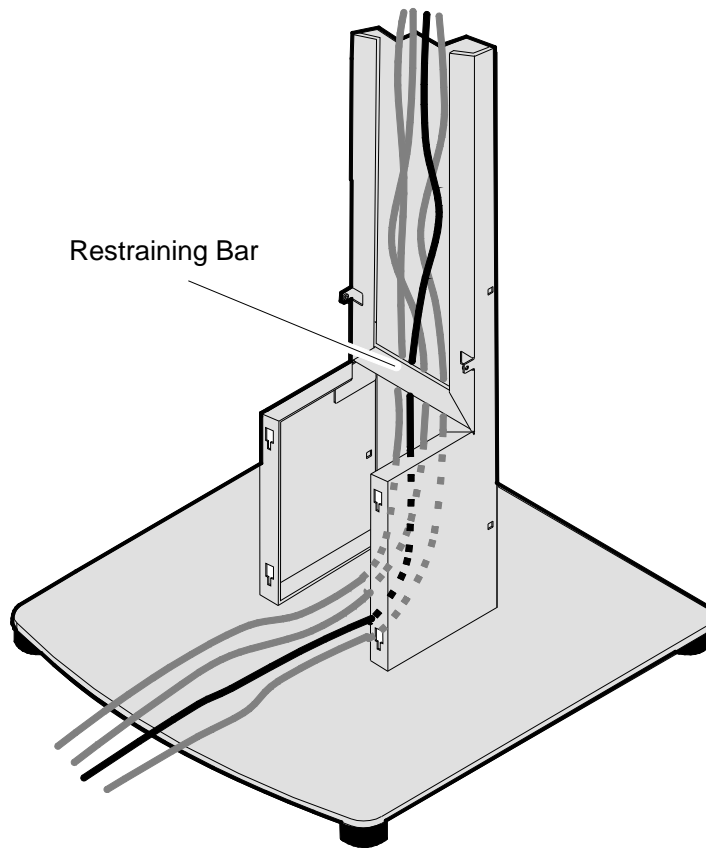
Note: The Dual Serial Port Cable is a Y cable. Connect the mouse to one port on the Y and the UPS Serial Cable to the other port.

Note: The scanner can be connected in either COM1 or COM3.

8. Lift the Base Cover on the bottom of the Spine to remove it.



9. Neatly route the LAN cable, the 7401 power cable, and the UPS serial cable from the terminal, down the back of the Spine, and behind the rear restraining bar.

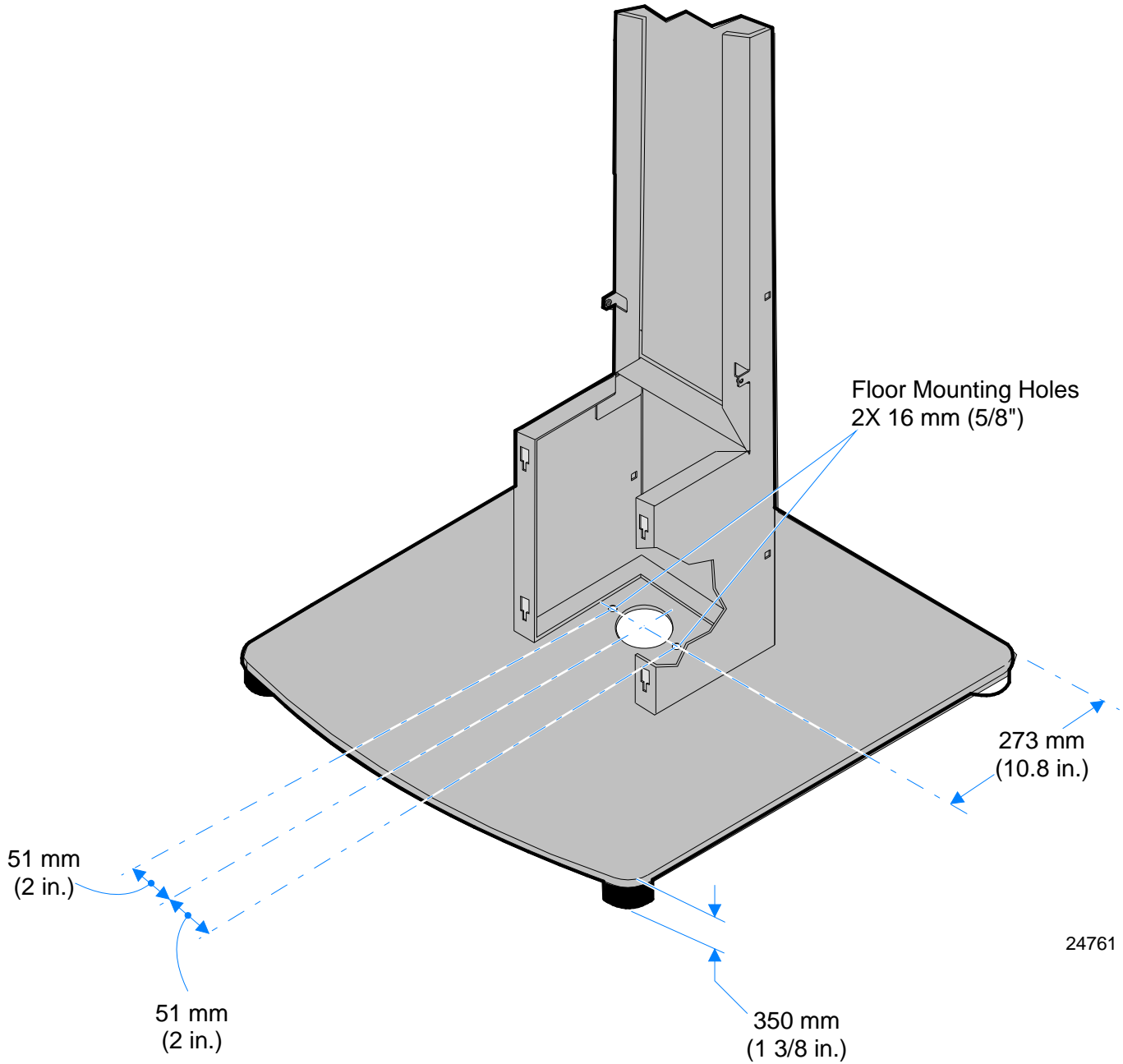


19418

Note: Do not route the Printer Extension Cable through the rear restraining bar.

Bolting the Pedestal to a Floor

Optionally, the pedestal can be bolted to a floor if desired. Secure the base to the floor by using appropriate bolts in the 16 mm (5/8") holes (2) located inside the pedestal.



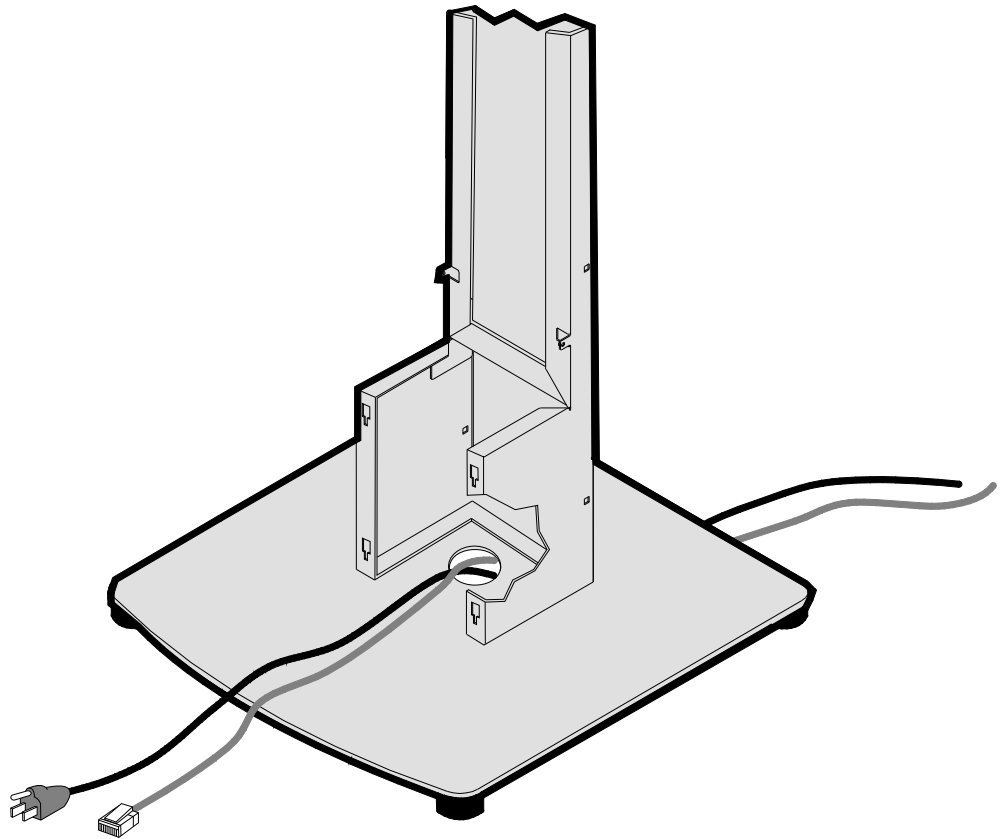
Installing the Uninterruptible Power System (UPS)

Refer to the User's Manual that is delivered with the NCR 4055 UPS before installing the UPS.

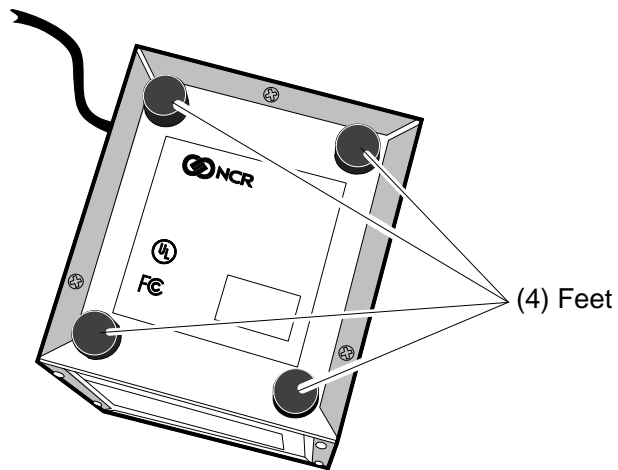
Note: The UPS must be installed first, before installing the 7402-K592 Self Service Printer or the Printer Spacer.

1. Route the in-house LAN cable and the UPS power cable through the opening in the bottom of the Pedestal.

Note: If you are not using a UPS, route the terminal and printer power cables out the opening in the bottom of the Pedestal Base.



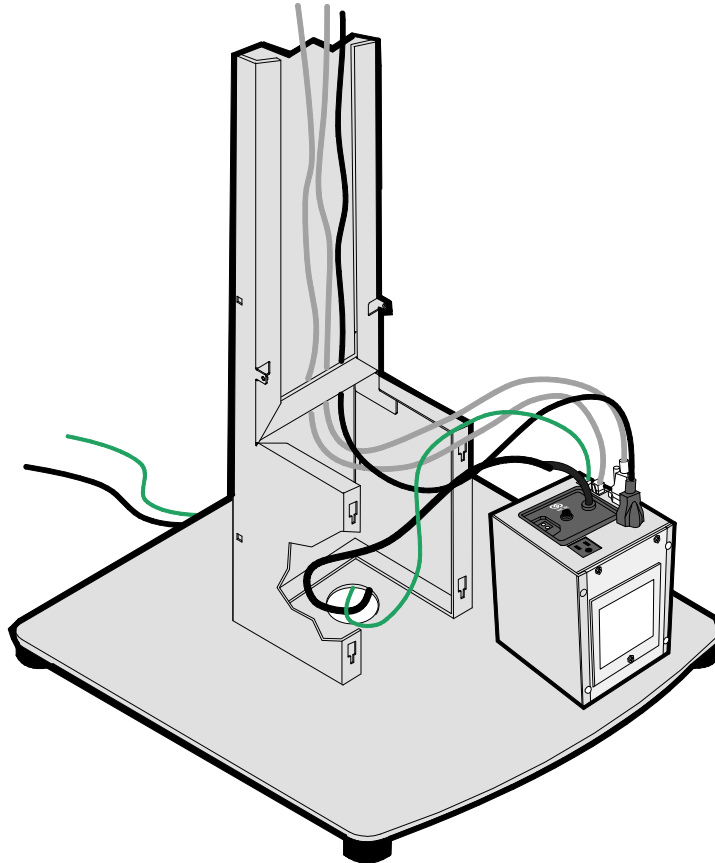
2. Attach the 4 large rubber Pedestal Feet (bumpers) to the bottom of the UPS. The feet are necessary for the power and LAN cables to feed through the bottom of the Pedestal Base.



19420

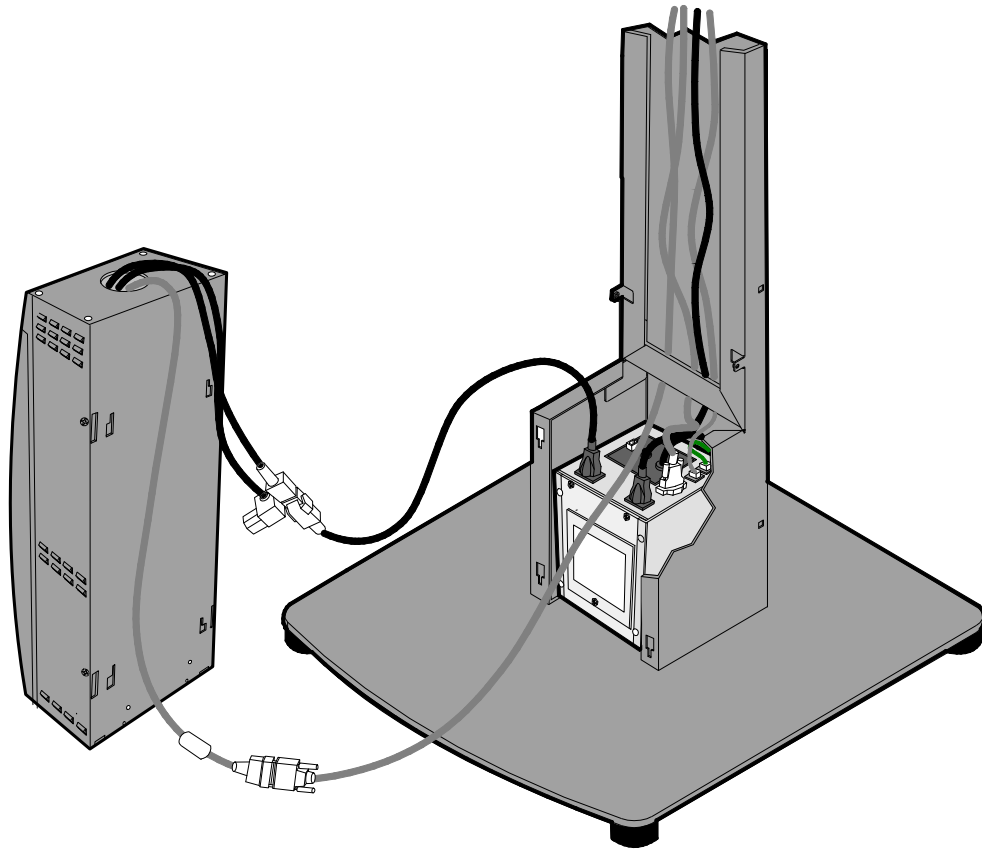
3. Attach the in-house LAN Cable to the UPS. Attach the cables from the terminal to the UPS (Ethernet LAN cable, 7401 Power Cable, and UPS Serial Cable).

Note: You may connect the LAN cables and the power cables to either of the connectors on the UPS.



19421

4. If you are installing the 7402-K592 Self Service Printer, connect the UPS and the printer using the Printer Power Cable. Route the Printer Power Cable behind the rear restraining bar.



19422

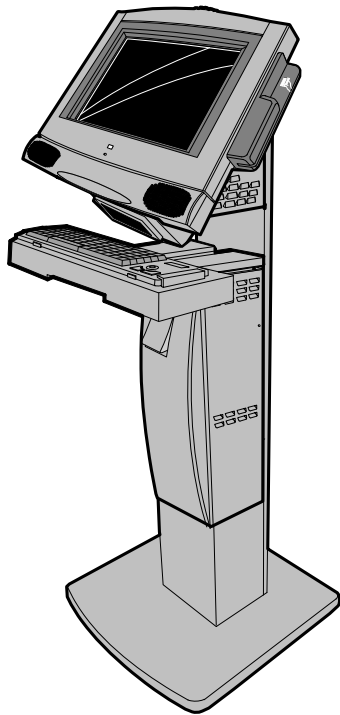
5. Slide the UPS in to the bottom of the Spine.
6. Slide the Base Cover back into place in the Spine.
7. Make sure the UPS is turned ON.

Refer to the following sections to install a self service printer or a printer spacer.

Installing the 7402-K592 Self Service Printer

1. Make sure the Printer Power Cable is connected to the UPS.
Note: There should be 1 unused power cord extending out of the top of the printer.
2. Connect the Printer Serial Extension Cable from the terminal to the Printer. Do not route the Printer Serial Extension Cable behind the rear restraining bar.
3. Align the holes on the back of the Printer with the hooks on the Spine and then lower the Printer onto the Spine.

4. Install the 6-32 x 5/16 screws through the holes on the sides of the Printer and tighten them.



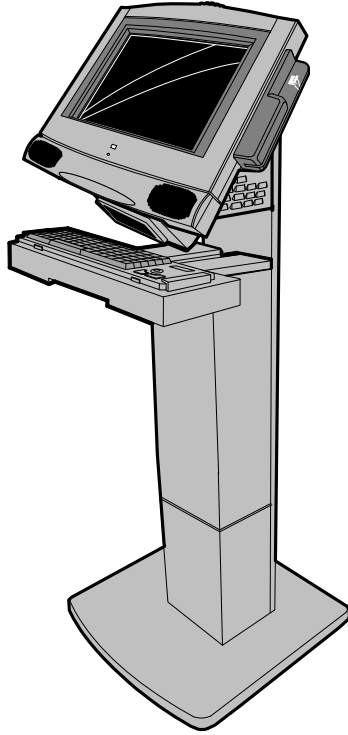
19423

5. Plug the UPS Power Cable into the AC power outlet.

Note: If you are installing a 7402-K592 Self Service Printer but no UPS, you must use the second power cord which has been provided. This power cord should be routed down through the bottom of the Spine and out to the AC power outlet.

Installing the 2336-K051 Printer Spacer

1. Align the holes on the back of the Printer Spacer with the hooks on the Spine and then lower the Printer Spacer onto the Spine.
2. Use the two 6-32 x 5/16" screws to attach the Printer Spacer to the Spine.



19424

3. Plug the UPS Power Cable into the AC power outlet.