

2362-K022

Large Baseplate

Kit Instructions



Issue A

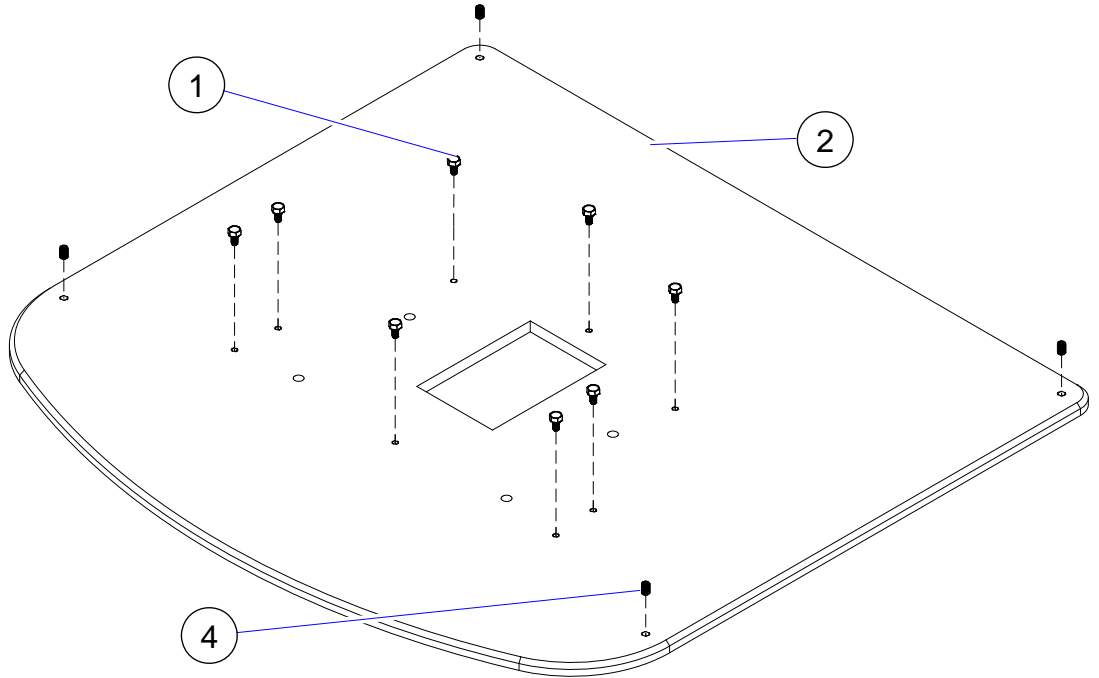
Revision Record

Issue	Date	Remarks
A	Jan 2015	First Issue

Introduction

The Large Baseplate is a new baseplate option that does not need to be bolted to the floor. This kit is for customers who want to replace the standard-sized baseplate of their 2362 cabinets.

Kit Contents



CCP-60087

Item	Part Number	Description
1	006-8613224	Screw - 1/4-20 x 1/2 Hex Head, Steel Zn-Plated, External Tooth Washer
2	795-0208725	Plate, Base, 2362, Anodized Silver
3	*497-0423108	Instructions-Kit (Reference Sheet)
4	006-8616343	Set Screw, 5/16"-18 X 0.5", Oval Point, Black-Oxide Alloy STL

*Not shown in the image.

Installation Procedures

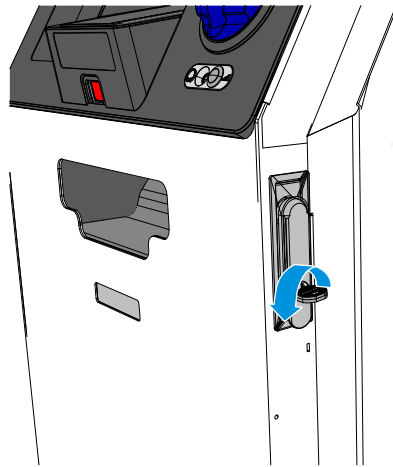
Caution: Static Electricity Discharge may permanently damage your system. Discharge any static electricity build up in your body by touching the chassis for a few seconds. Avoid any contact with internal parts and handle cards only by their external edges.

Turning Off the Kiosk

1. Open the kiosk. Procedures vary depending on the type of Security Locking mechanism.

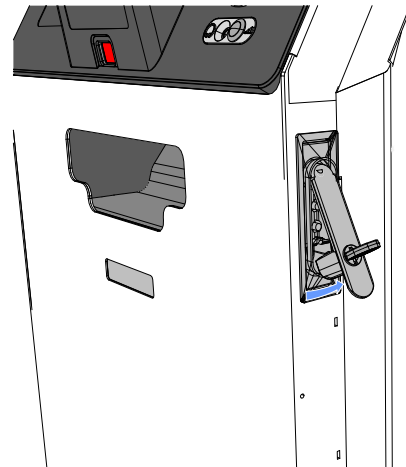
Locking Door Latch

Unlock the Security Lock and open the door.



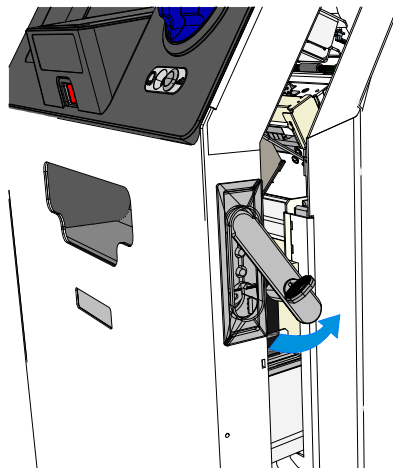
1

Unlock the Security Lock



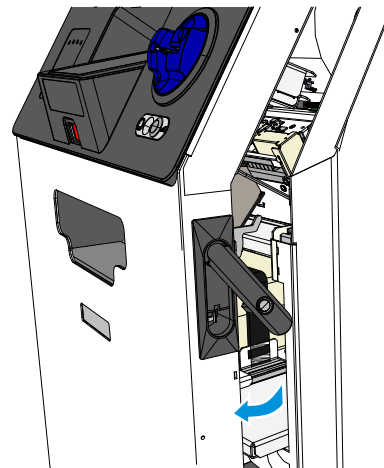
2

Pivot the Security Lock Out



3

Rotate the latch counterclockwise.

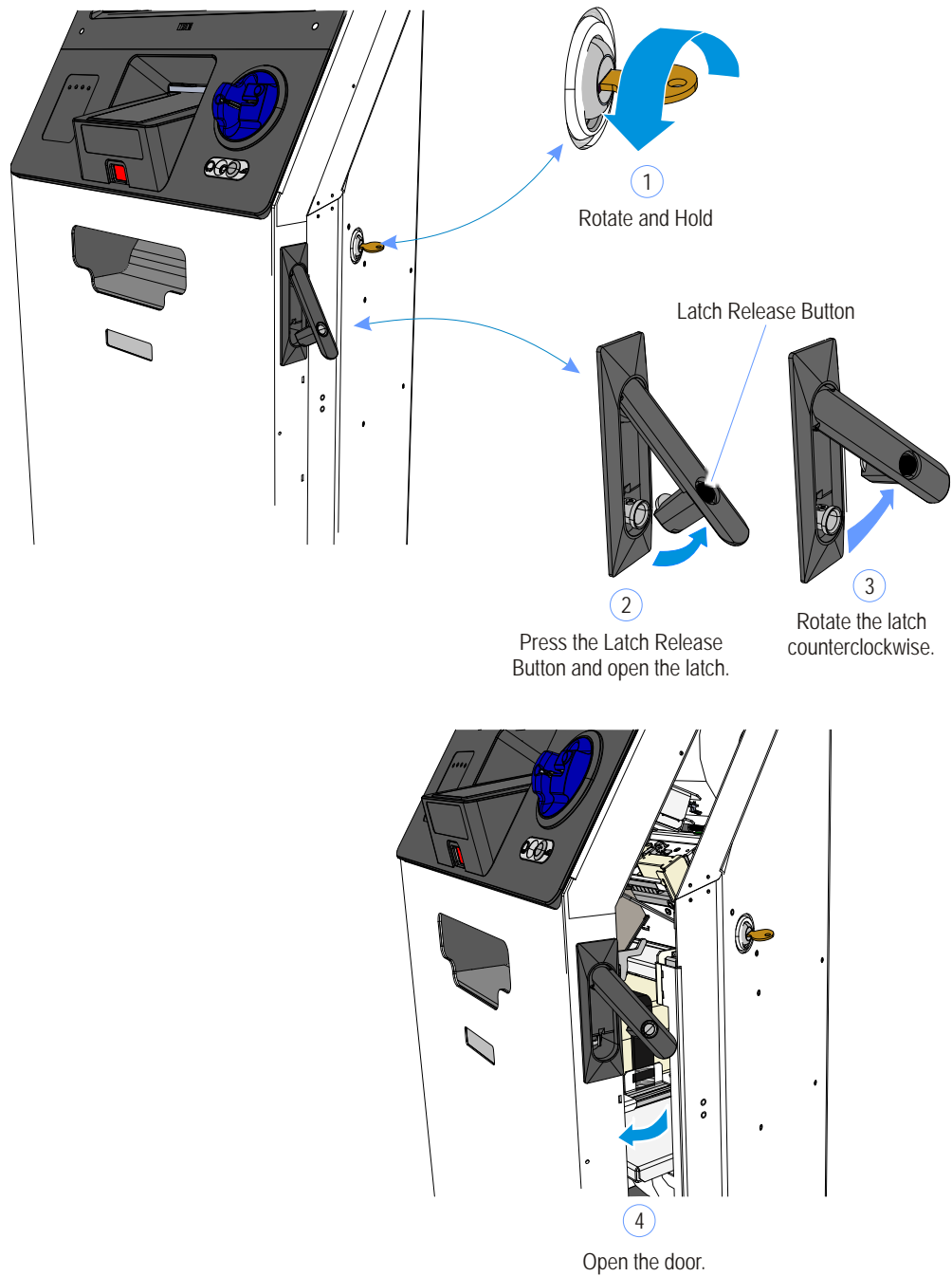


4

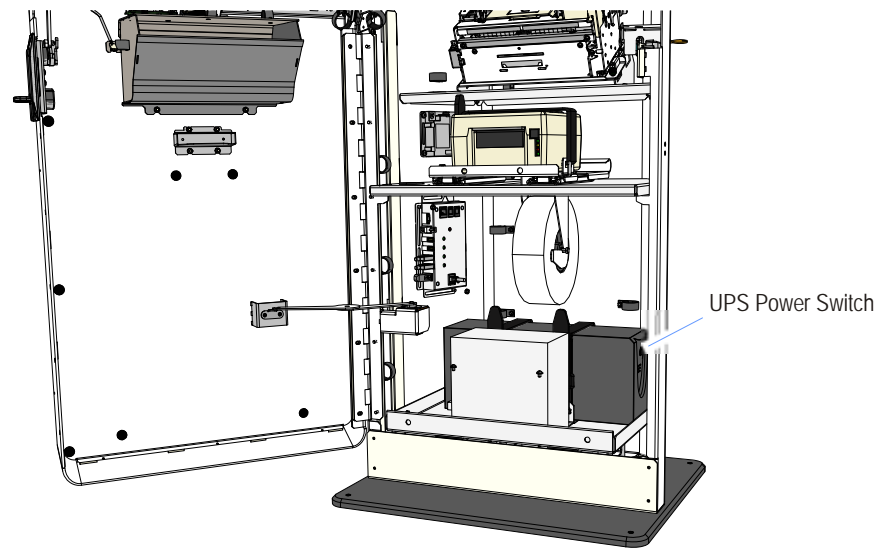
Open the door.

Door Latch with Separate Security Lock

Rotate the Security Lock Insert counterclockwise. While keeping the Lock rotated open the Door Latch.



2. Turn off the UPS Power Switch.



32004

3. Remove the power cord from the AC power source.

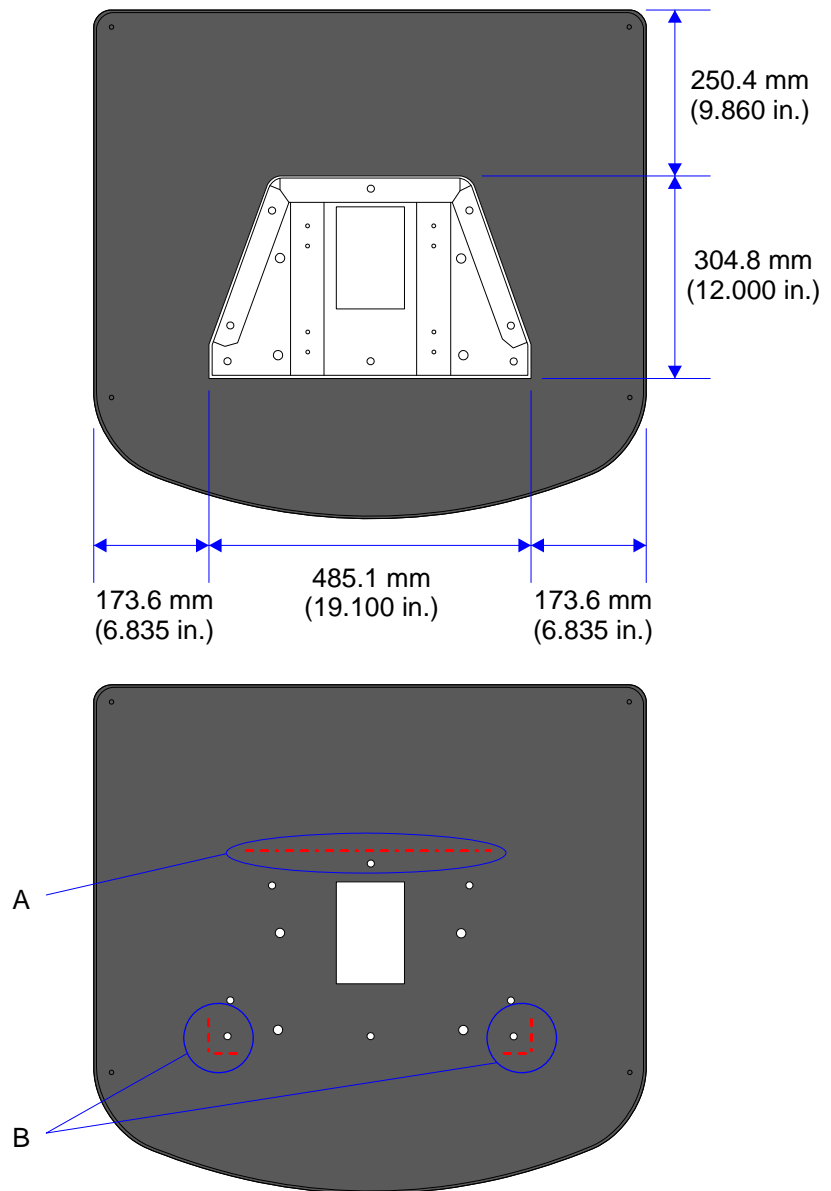
Replacing the Baseplate

Setting the Markers

Before performing the procedures below, make sure to place markers on the large baseplate. This is to easily align the bolt holes while positioning the cabinet onto the large baseplate and to help prevent scratches or damages on the cabinet paint.

Below are the precise measurements that may aid in creating the markers. Markers **A** and **B** (broken red lines) refer to the rear end and the front corners of the cabinet.

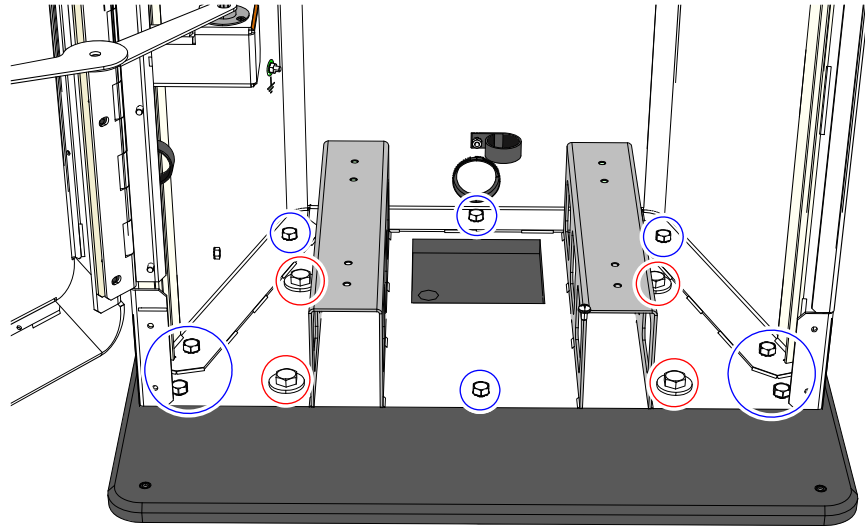
Note: Do not use markers that may cause scratches or damages to the baseplate.



Without Cabinet Height Extender

1. Extend the Bottom Shelf out of the cabinet.
2. Remove the four nuts (red) and eight bolts (blue) that secure the cabinet to the standard baseplate. (Bottom Shelf and lower portion of the cabinet removed from illustration for clarity).

Caution: Be careful when removing the nuts and bolts. The cabinet becomes unstable and may fall forward from the weight of the door in the open position. Make sure someone is holding the cabinet steady when removing the nuts and bolts.



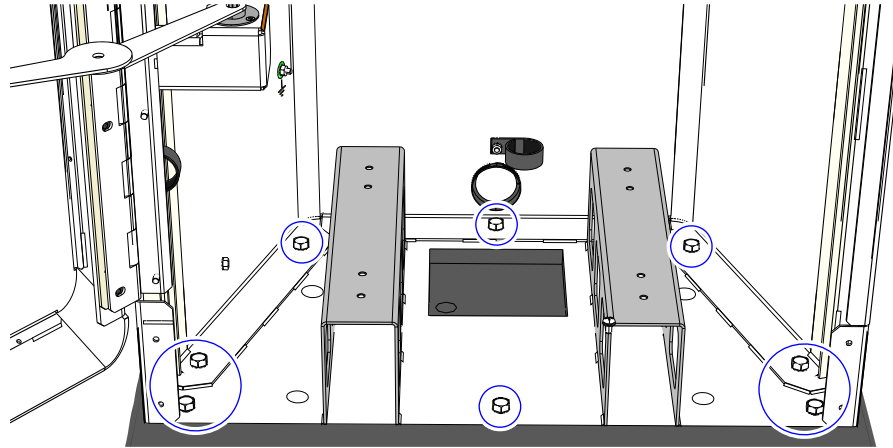
CCP-60086

3. Slide the Bottom Shelf back into the cabinet.
4. Close and lock the Kiosk Door.
Note: This prevents unnecessary movement of the door while the unit is in motion and thus prevents misalignment of the door with respect to its frame.
5. Carefully lift the cabinet off the standard baseplate and position it onto the large baseplate. Refer to the "Setting the Markers" section to aid in positioning the cabinet.
6. Secure the cabinet with eight screws to the large baseplate.

With Cabinet Height Extender

1. Extend the Bottom Shelf out of the cabinet.
2. Remove the eight bolts that secure the cabinet to the height extender. (Bottom Shelf and lower portion of the cabinet removed from illustration for clarity).

Caution: Be careful when removing the bolts. The cabinet becomes unstable and may fall forward from the weight of the door in the open position. Make sure someone is holding the cabinet steady when removing the bolts.



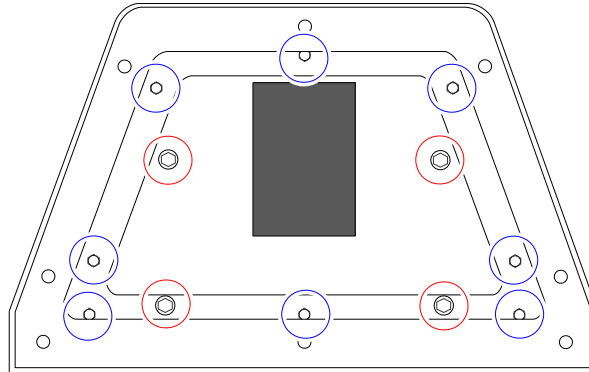
CCP-60084

3. Slide the Bottom Shelf back into the cabinet.
4. Close and lock the Kiosk Door.

Note: This prevents unnecessary movement of the door while the unit is in motion and thus prevents misalignment of the door with respect to its frame.

5. Carefully lift the cabinet off the height extender.

6. Remove the four nuts (red) and eight bolts (blue) that secure the height extender to the standard baseplate.



CCP-60085

7. Remove the height extender from the standard baseplate, position it onto the large baseplate, and secure with eight bolts.
8. Carefully position the cabinet onto the height extender and secure with eight bolts. Refer to the "Setting the Markers" section to aid in positioning the cabinet.