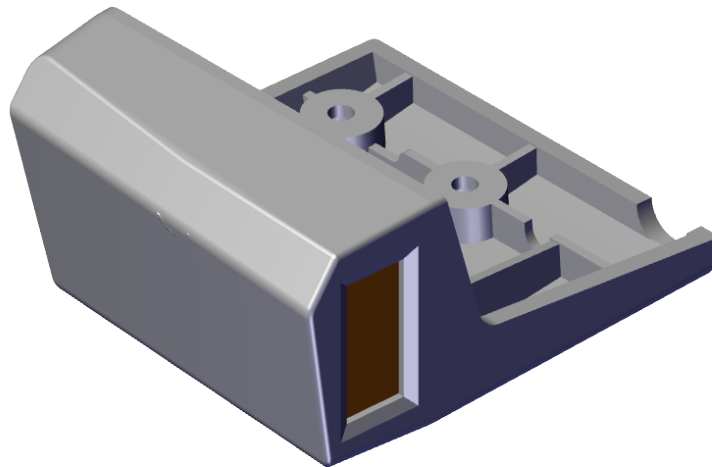


Kit Instructions

C730 Scanner Module



5934-K093
Issue B



The product described in this document is a licensed product of NCR Corporation.

NCR is a registered trademark of NCR Corporation. NCR RealPOS is a trademark of NCR Corporation in the United States and/or other countries. Other product names mentioned in this publication may be trademarks or registered trademarks of their respective companies and are hereby acknowledged.

The terms HDMI and HDMI High-Definition Multimedia Interface, and the HDMI Logo are trademarks or registered trademarks of HDMI Licensing LLC in the United States and other countries.

Where creation of derivative works, modifications or copies of this NCR copyrighted documentation is permitted under the terms and conditions of an agreement you have with NCR, NCR's copyright notice must be included.

It is the policy of NCR Corporation (NCR) to improve products as new technology, components, software, and firmware become available. NCR, therefore, reserves the right to change specifications without prior notice.

All features, functions, and operations described herein may not be marketed by NCR in all parts of the world. In some instances, photographs are of equipment prototypes. Therefore, before using this document, consult with your NCR representative or NCR office for information that is applicable and current.

To maintain the quality of our publications, we need your comments on the accuracy, clarity, organization, and value of this book. Please use the link below to send your comments.

Email: FD230036@ncr.com

Copyright © 2018–2020
By NCR Corporation
Global Headquarters
864 Spring St NW
Atlanta, GA 30308
All Rights Reserved

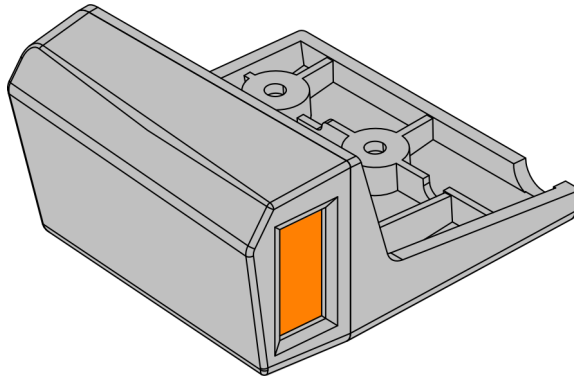
Revision Record

Issue	Date	Remarks
A	July 2018	First Issue
B	May 2020	Added "Programming the Scanner" section

C730 Scanner Module

This kit provides a C730 Scanner Module for the C730 (5934) Display.

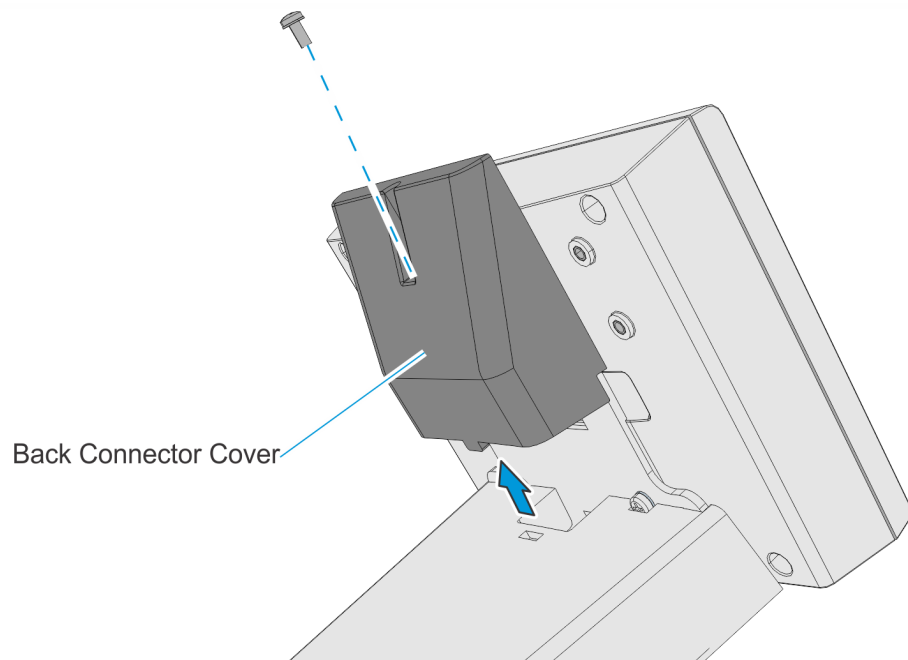
Kit Contents



CCP-74928

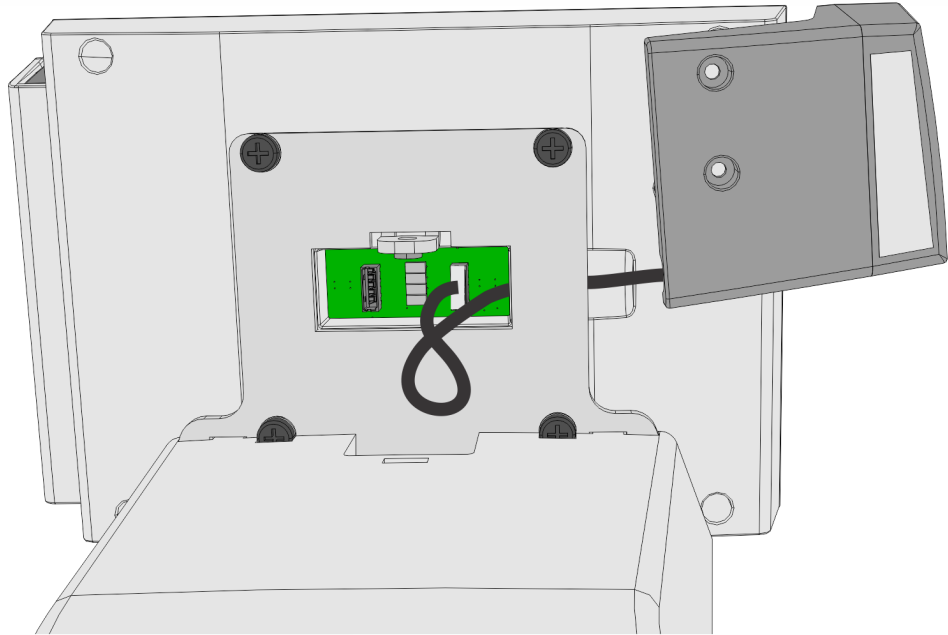
Installation Procedure

1. Remove the screw (1) that secures the Back Connector Cover. Remove the Back Connector Cover.



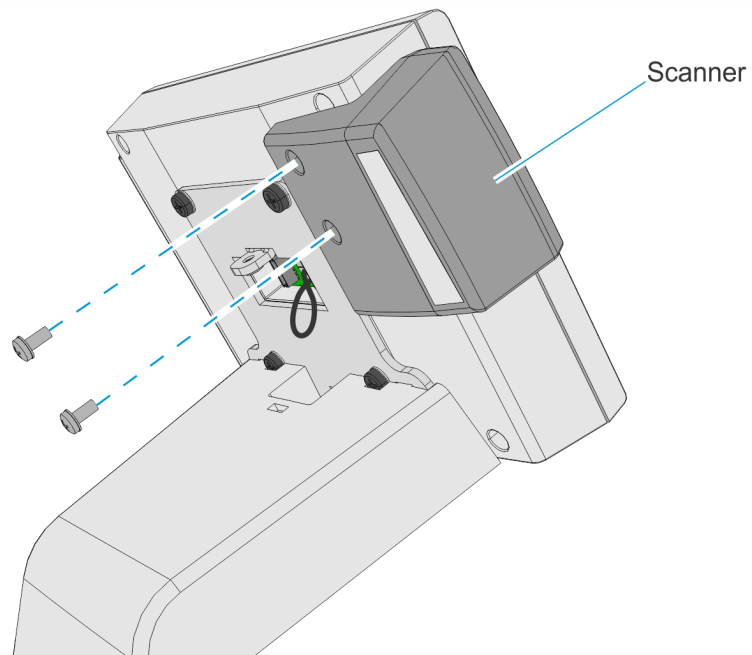
61791

2. Route the Scanner cable under the stand mount. Plug the cable to the Scanner connector.



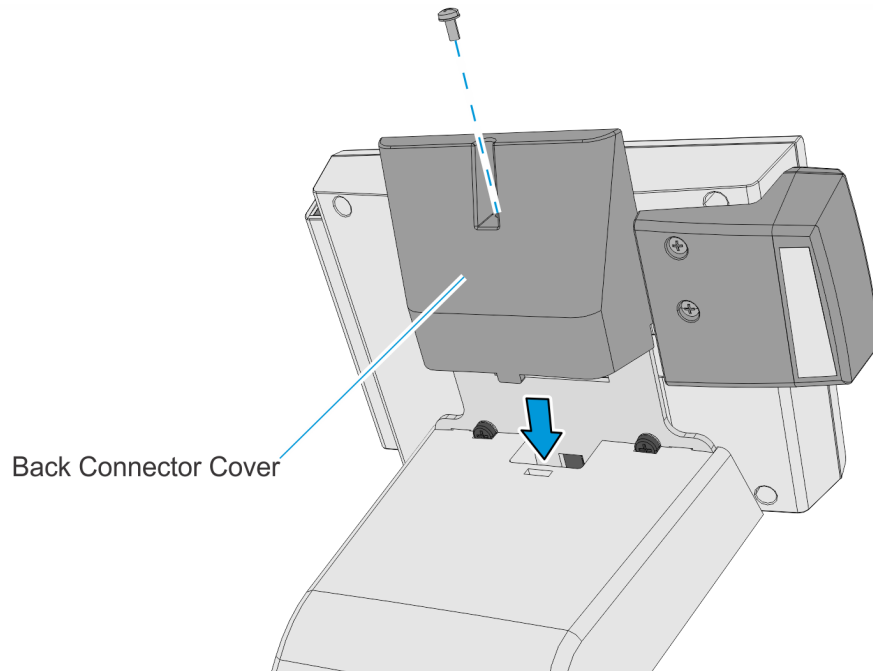
61790

3. Secure the Scanner with screws (2).



61789

4. Replace the Back Connector Cover and secure with a screw.



61792

Programming the Scanner

To program the scanner/imager to work on a Retail or Hospitality (Aloha) POS, refer to the following sections in the Imager Setup Sheets document (BCC5-0000-5470):

<https://onlinehelp.ncr.com/Retail/Scanners/ImagerSetup/HTML/FrontMatter-HTML/Home.htm>

- **Retail**
 - Honeywell N5680 Retail Quick Imager Setup
- **Hospitality (Aloha)**
 - Honeywell N5680 Aloha Programming Sheet