

NCR 5964-K038/K039 Feature Kit

Checkstand Display Mount

Kit Instructions



Issue A

Revision Record

Issue	Date	Remarks
A	May 2006	First issue

Introduction

The Checkstand Mount is installed on the counter for a fixed installation. It supports vertical (height) adjustment and horizontal (reach) adjustment, as well as tilt and swivel.

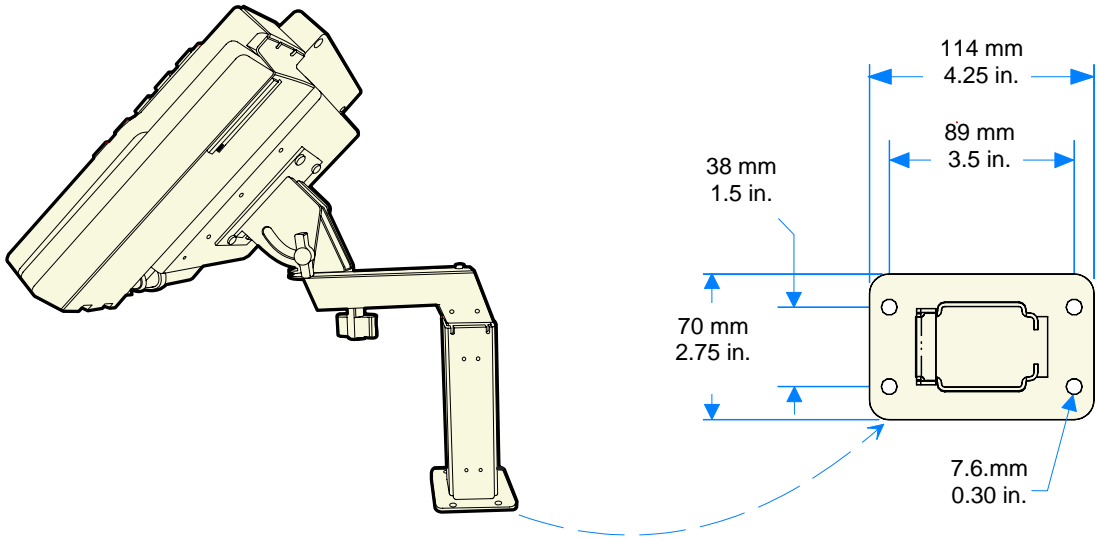
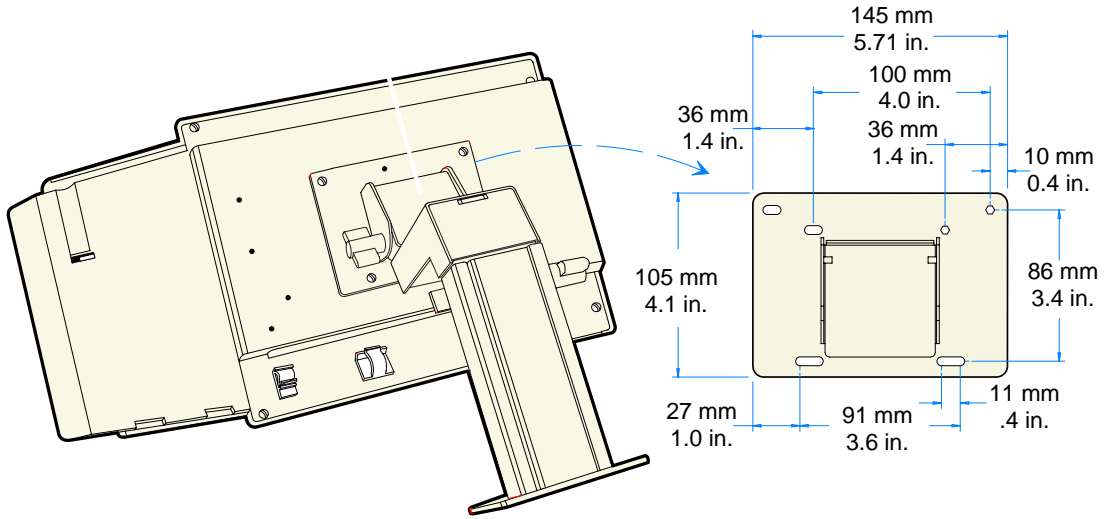
There are two versions of the Checkstand Display Mount. The only difference between the two is color.

5964-K038 – G11

5964-K039 – CG1

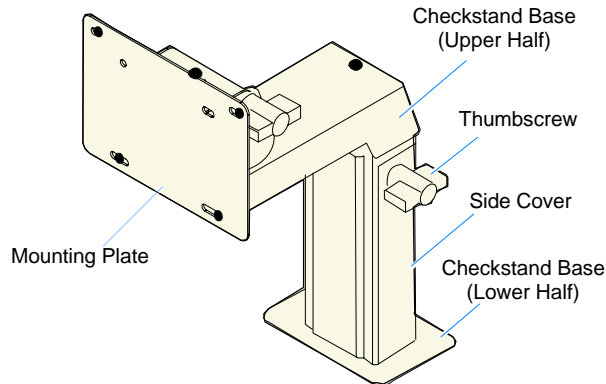
Note: These kits are RoHS versions of 5964-K034/K035.

Plate Dimensions



Installation Procedure

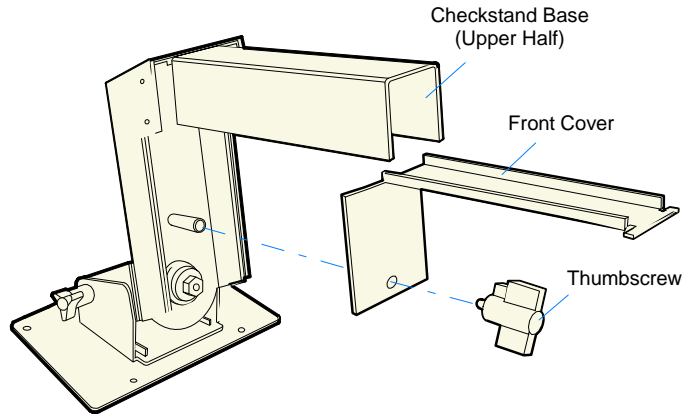
1. Loosen the Thumbscrew and separate the upper and lower halves of the Checkstand Base.



17321a

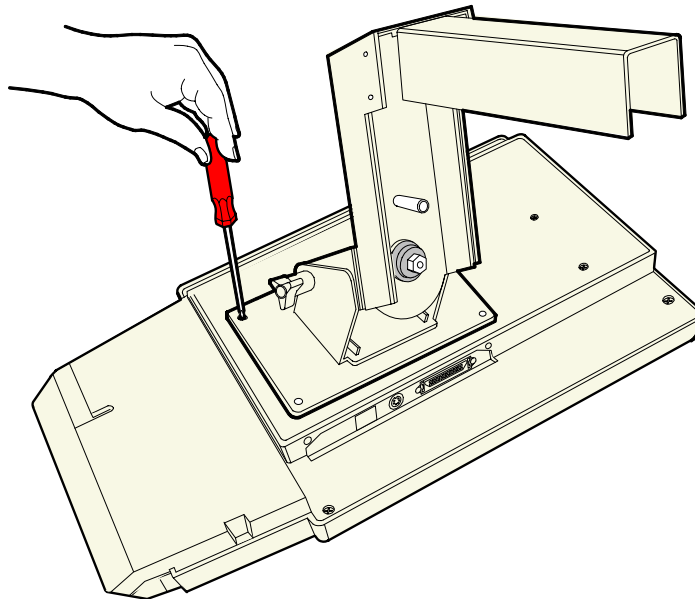
2. Slide the Side Cover off the lower half of the Checkstand Base.
3. Drill four 6 mm (0.25 in.) holes for the mounting bolts and one 38 mm (1.5 in.) hole for the DynaKey cable(s) in the desired location on the countertop. Use the Checkstand Base as a template for locating the holes.
4. Bolt the Checkstand Base (Lower Half) to the countertop.

5. Remove the Thumbscrew and the Front Cover from the Checkstand Base (Upper Half).



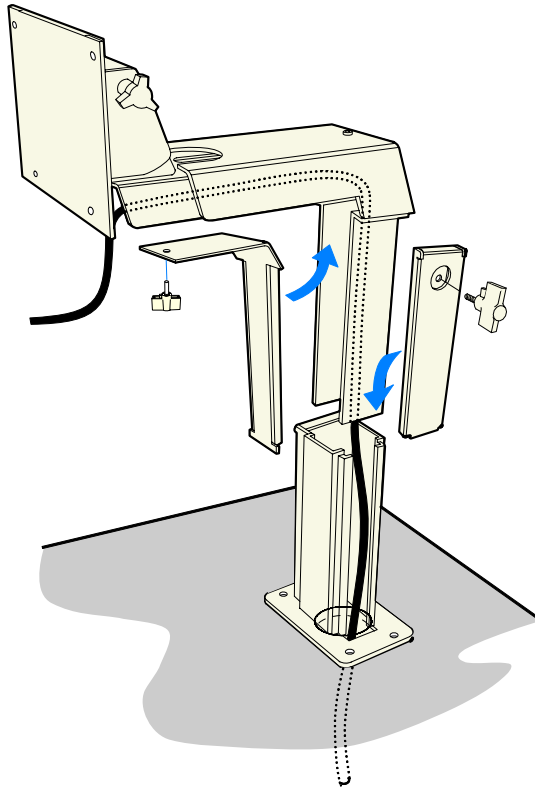
17322a

6. Install the Checkstand Base onto the back of the DynaKey (4 screws).



17323a

7. Connect the LCD cable to the DynaKey.
 - Optional - Connect a scanner cable to the DynaKey.
 - Optional - Connect a PC-compatible keyboard cable to the DynaKey.
8. Route the cable(s) through the Checkstand Base and through the countertop. Install the Thumbscrew and the Front Cover. Be sure to leave enough slack in the cable(s) to permit easy tilting of the DynaKey.



17449a

9. Slide the Side Cover onto the lower half of the Checkstand Base.
10. Assemble the upper and lower halves of the Checkstand Base and tighten the Thumbscrew.