

7403-K112

# Wireless USB Extension Cable

Kit Instructions



Issue C

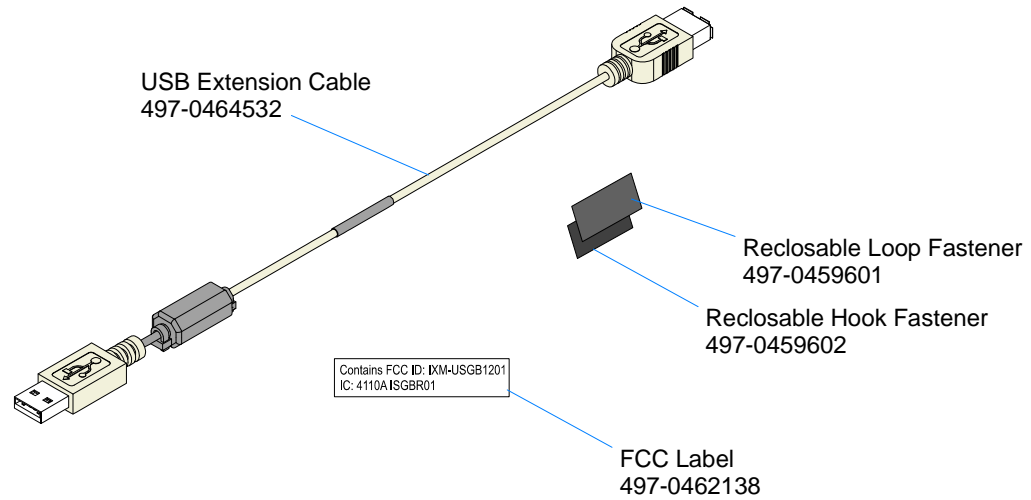
---

## Revision Record

Issue	Date	Remarks
A	Mar 2009	First issue
B	Mar 2010	New Wireless device
C	June 2011	Added 7610/7611 Support

## Introduction

This kit provides a USB Extension Cable and Velcro strips that are used to integrate a Wireless USB Client in the RealPOS 70xrt (7403), RealPOS 25 (7610), and RealPOS 50 (7611) terminals.



There are two versions of the Wireless USB Client:

- 2330-K370 (U.S. Only)
- 2330-K371 (International)

The Wireless USB Client kit contains the following:

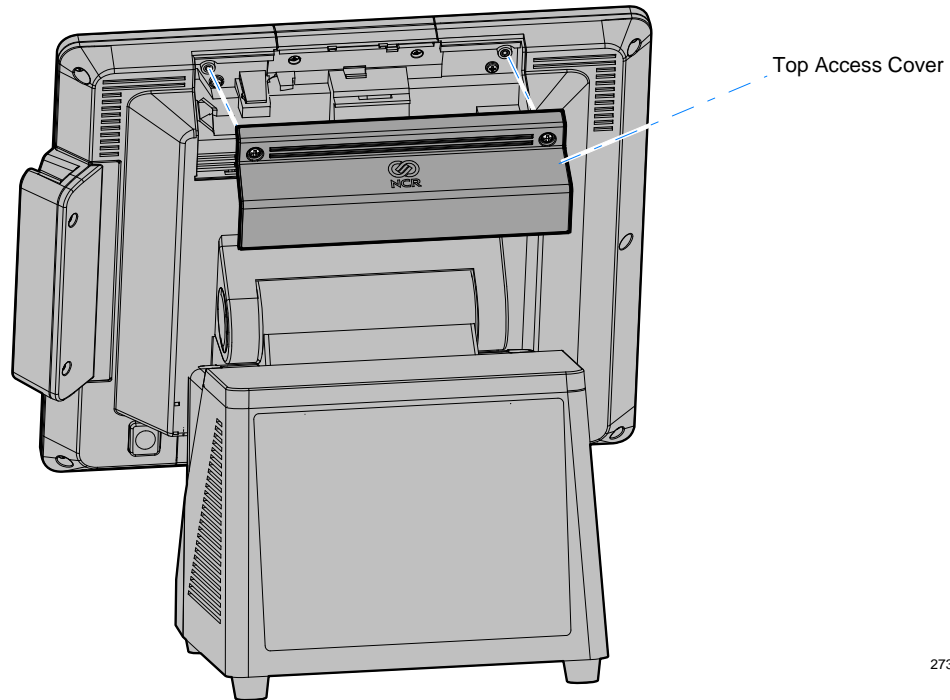
- USB Client
- USB Client Stand with Cable 1.5 m Cable (not used in an integrated configuration)
- CD-ROM containing software driver and documentation

ORiNOCO® 802.11a/b/g/n USB Adapter with Cap	
USB Cradle	
CD containing software, drivers and documentation	
Printed Quick Install Guide	

## Installation Procedures (7403)

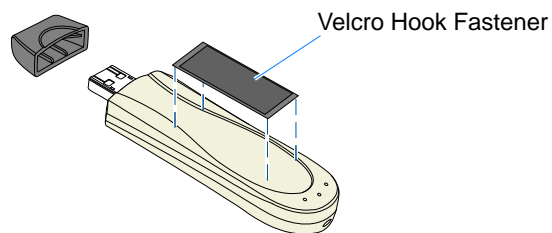
The wireless device connects to a dedicated USB port in the 7403 display head.

1. Loosen the captive screws (2) that secure the Top Access Cover.
2. Remove the cover from the Rear Cabinet.



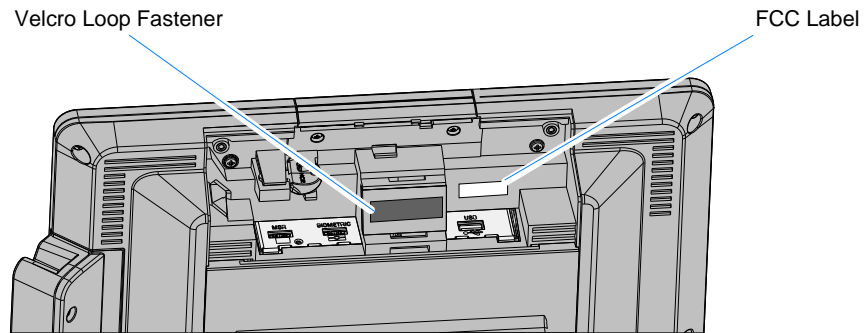
27308

3. Install the Hook and Loop Fasteners (Velcro).
  - a. Adhere the Hook Fastener to the back side of the Wireless Client.



27314

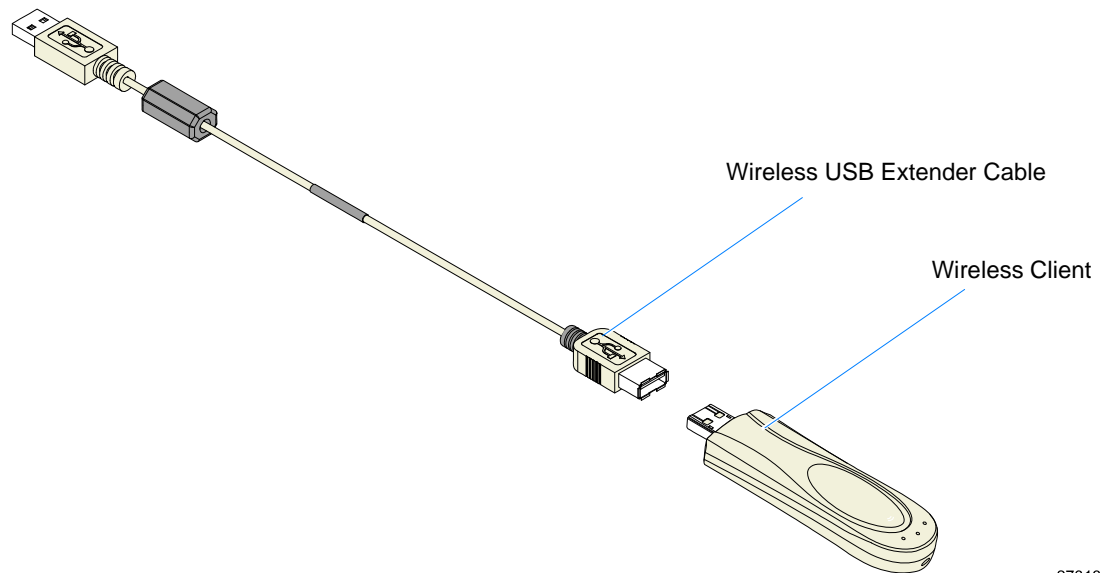
- b. Adhere the Loop Fastener to the Rear Cabinet.
- c. Adhere the FCC Label to the Rear Cabinet.



27312

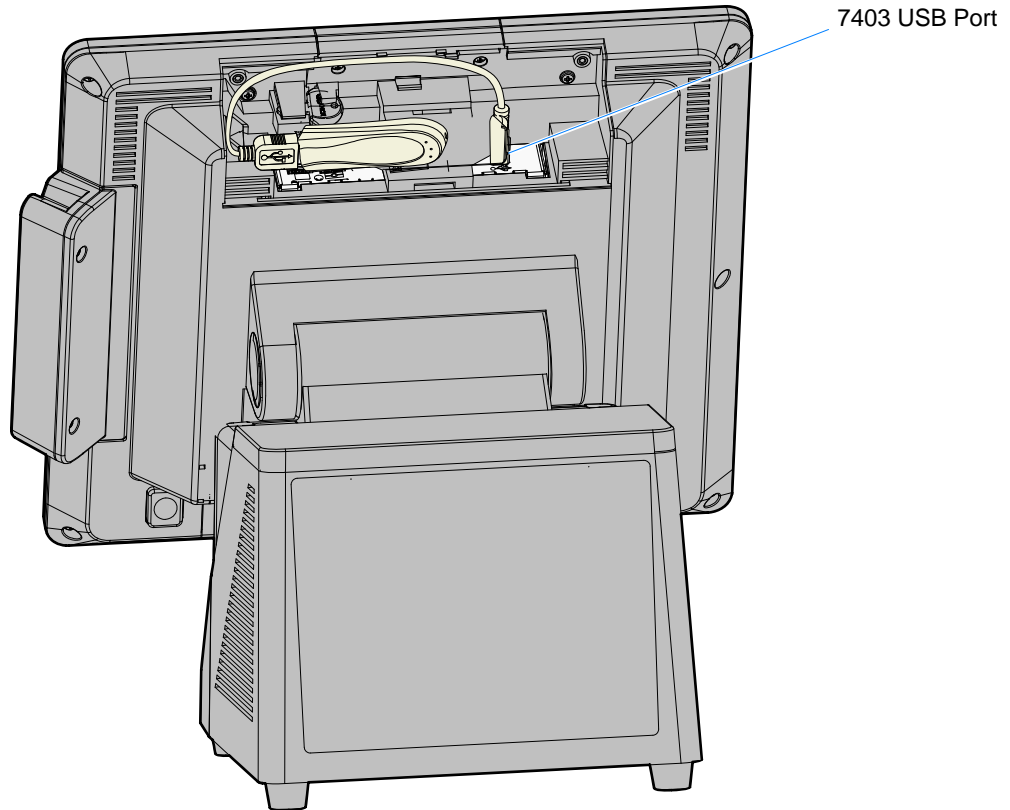
4. Connect the Wireless USB Extension Cable to the Wireless Client.

**Note:** The USB Client Stand w/1.5 m Cable is not used and can be discarded.



27313

5. Fasten the Wireless Client to the Rear Cabinet using the Velcro strips.
6. Connect the Wireless USB Extension Cable to the 7403 USB port.

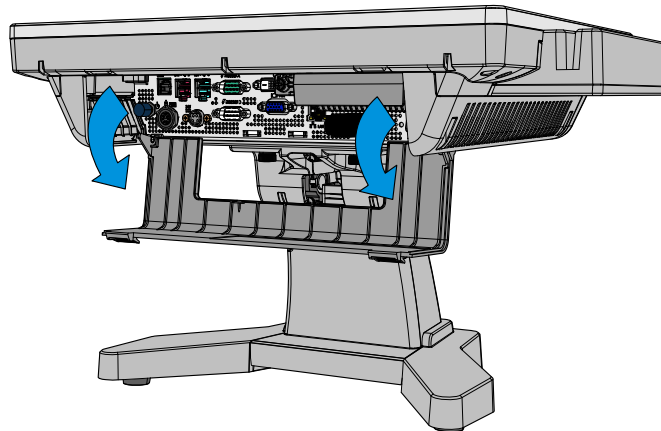
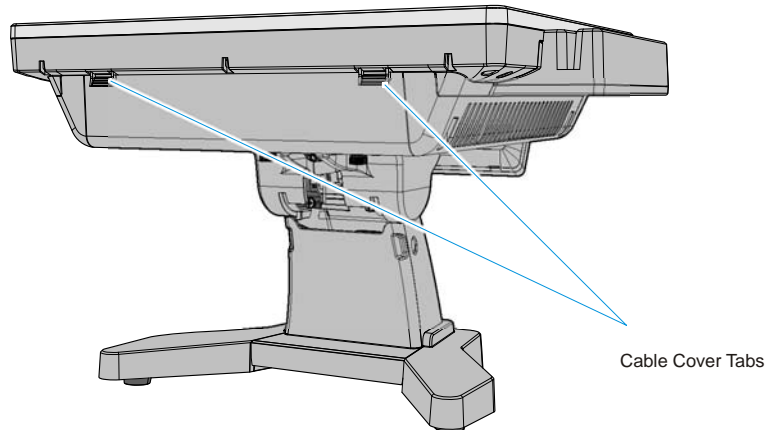


7. Replace the Top Access Cover.

## Installation Procedures (7610/7611)

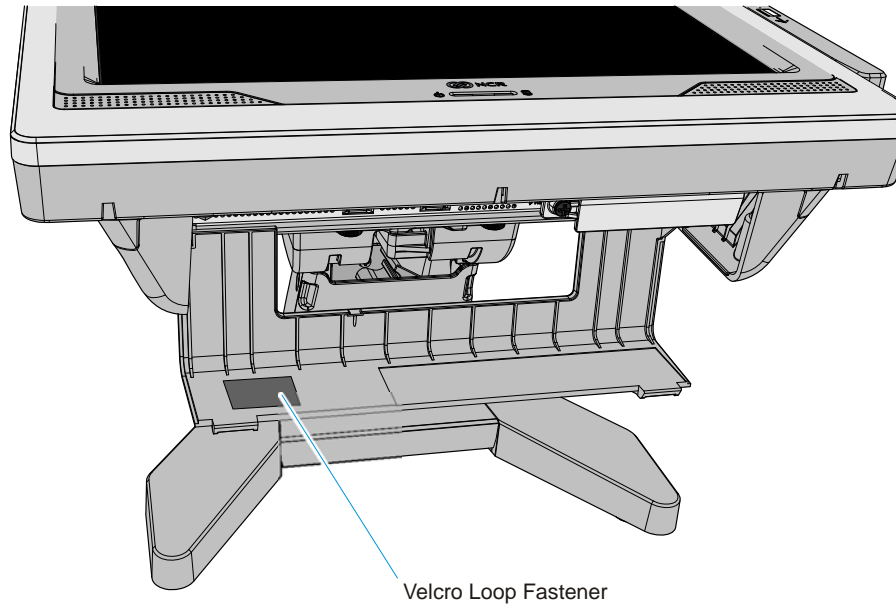
The wireless device connects to a dedicated USB port on the terminal.

1. Open the Terminal Cable Cover. Press the Cable Cover Tabs (2) and pivot the cover open.



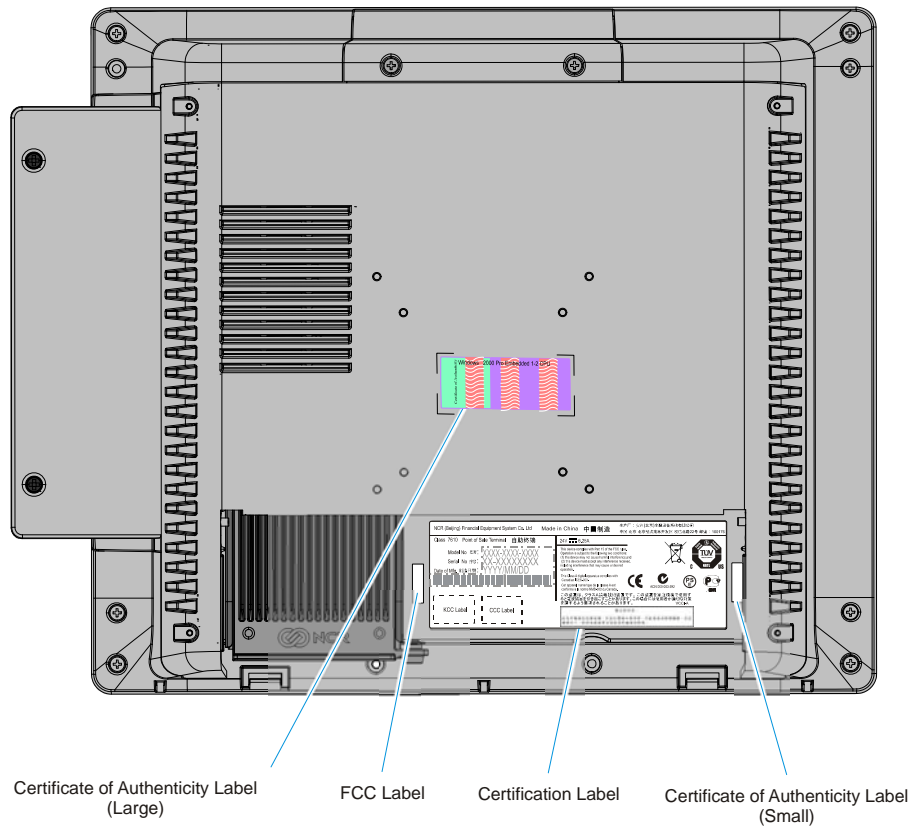


2. Adhere the Velcro Loop Fastener to the Terminal Cable Cover as shown.



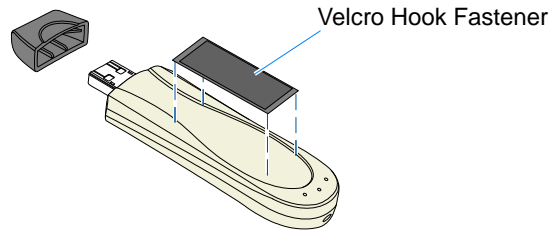
29806

3. Adhere the FCC Label on the Terminal Back Cover as shown.



29238

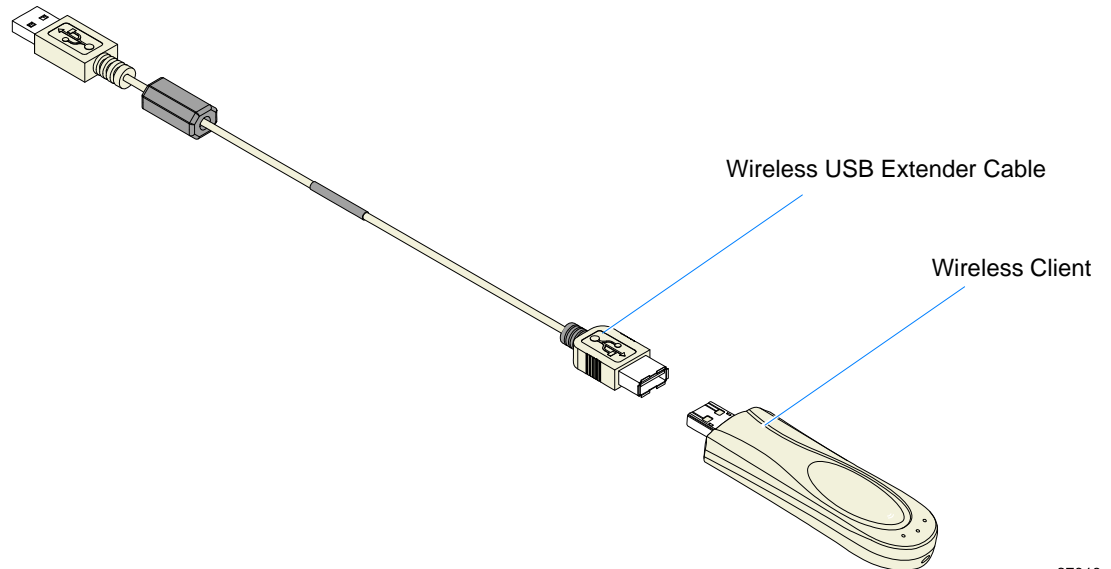
4. Adhere the Velcro Hook Fastener to the back side of the Wireless Client.



27314

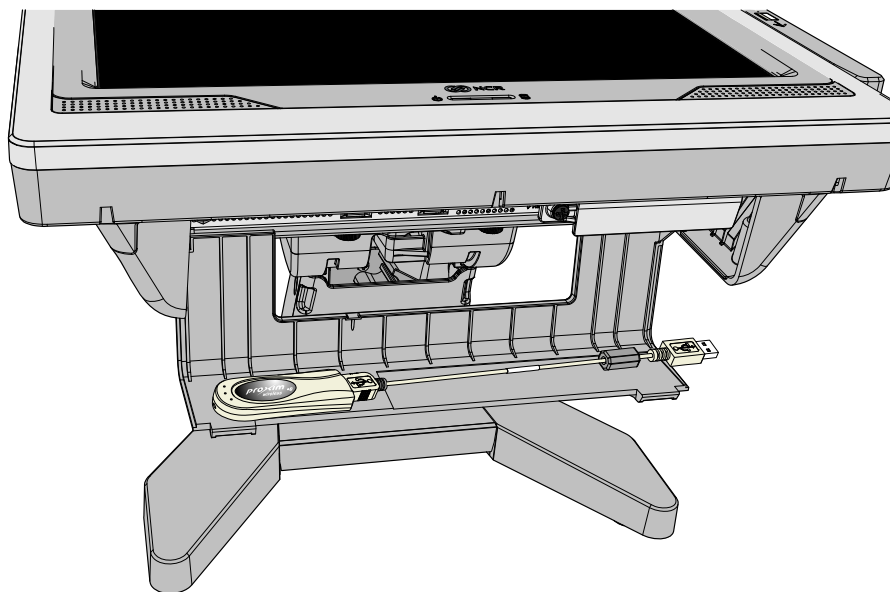
5. Connect the Wireless USB Extension Cable to the Wireless Client.

**Note:** The USB Client Stand w/1.5 m Cable is not used and can be discarded.



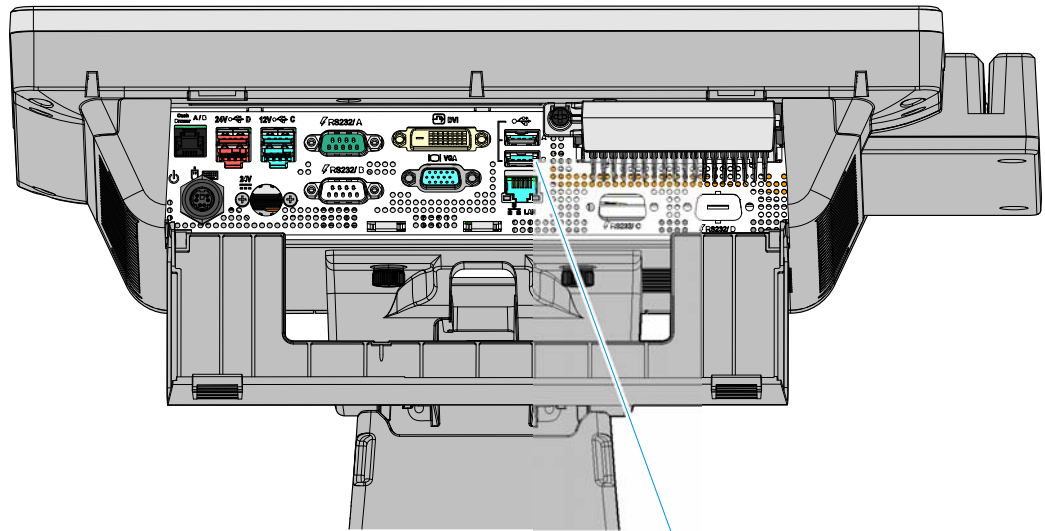
27313

6. Fasten the Wireless Client to the Terminal Cable Cover using the Velcro strips.



29807

7. Connect the Wireless USB Extension Cable to the terminal USB port.



USB Ports

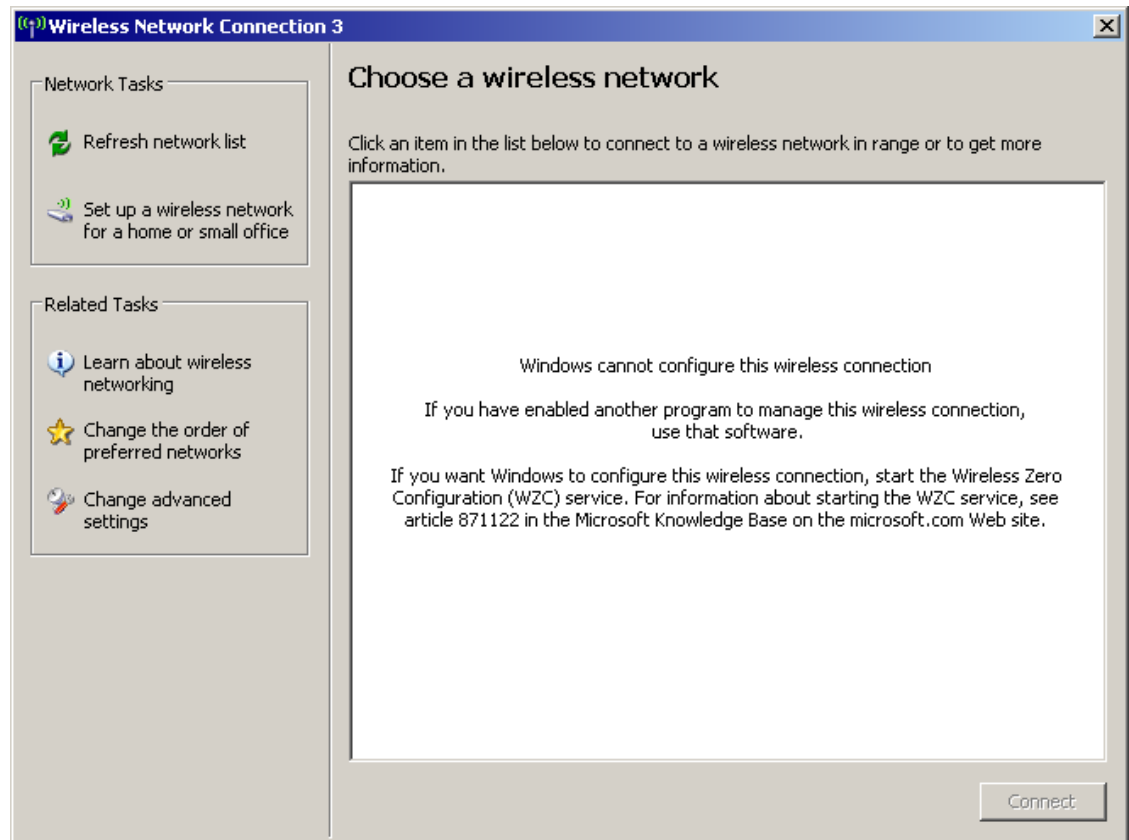
8. Close the Terminal Cable Cover.

## Installing the Software

See the *Quick Start User's Guide* on the CD-ROM to complete the Wireless Client installation.

### Error Message

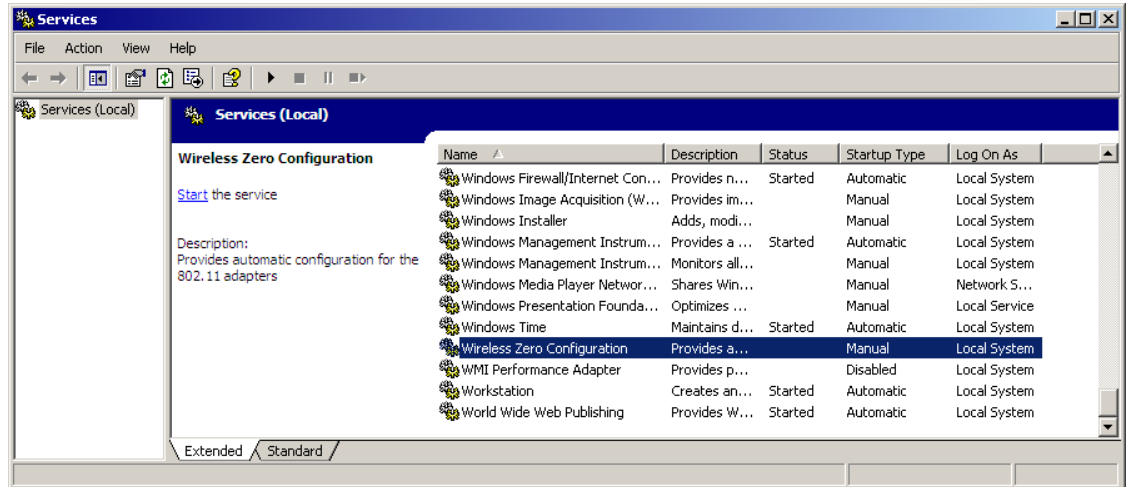
Some NCR Gold Images have a service disabled that is required to run the Wireless Client. If you get the following message when trying to configure the network connection you need to start the Wireless Zero Configuration service.



To enable the service:

1. Select **Start** @ **Control Panel** @ **Administrative Tools** @ **Services**.

2. Scroll down and double-click on *Wireless Zero Configuration* to open up the Properties window.



3. Set the *Start-up Type* option to start the service **Automatically**.

