

7407-K151-K154

MSR/PPR/Imaging Scanner

Kit Instructions



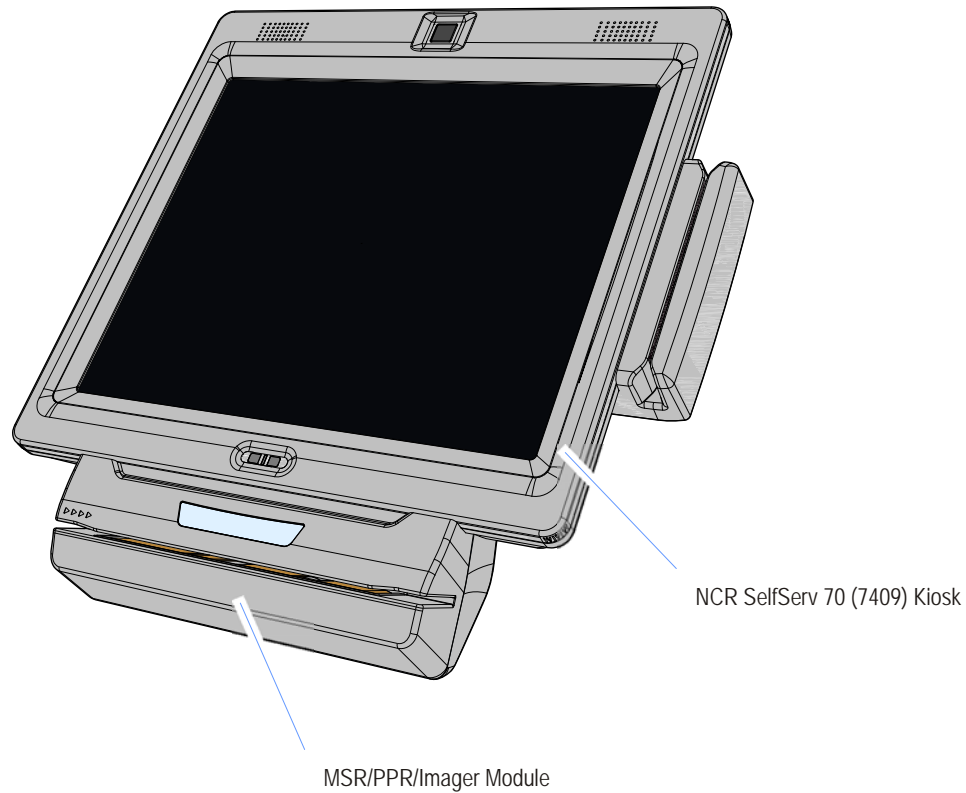
Issue A

Revision Record

Issue	Date	Remarks
A	July 2011	First issue

Introduction

These kits provide an MSR/PPR/Imaging Scanner for the NCR SelfServ 60 (7409). The assembly installs on the bottom of the 7409.



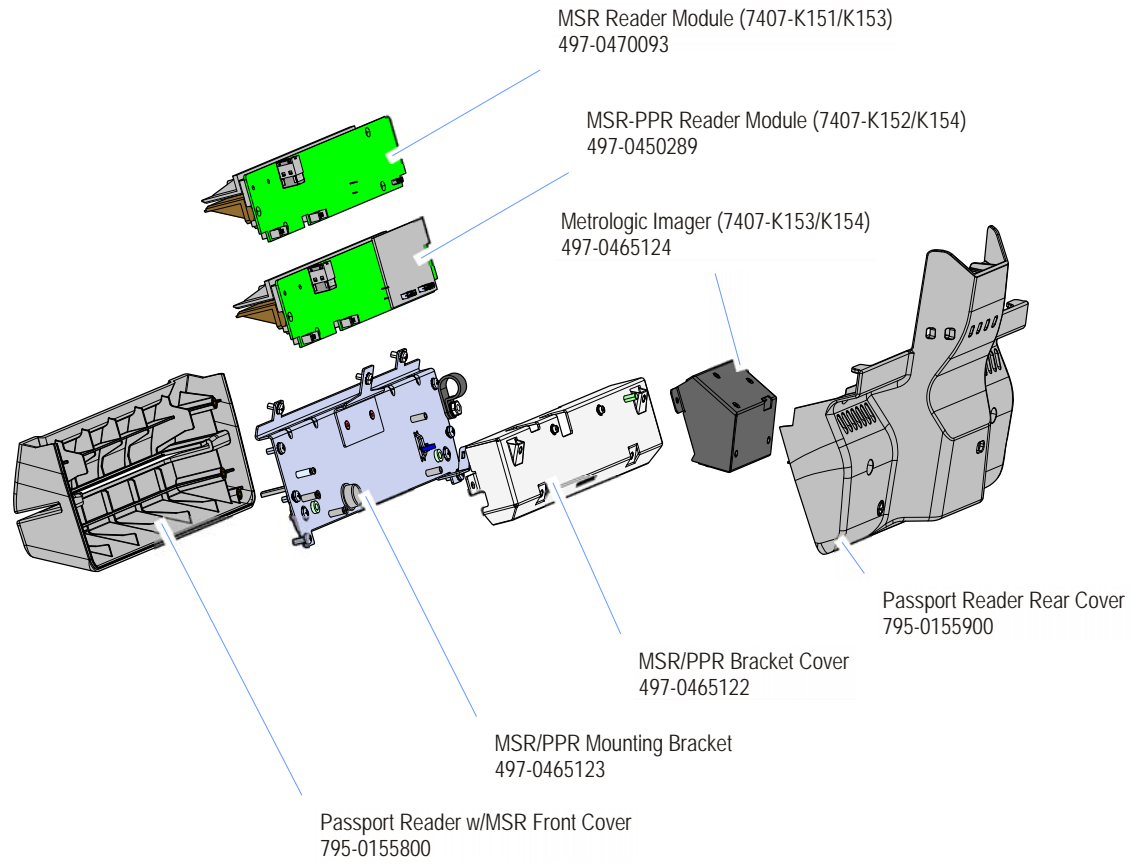
29882

There are four configurations available:

- 7407-K151 MSR
- 7407-K152 MSR/PPR
- 7407-K153 MSR/Imager
- 7407-K154 MSR/PPR/Imager

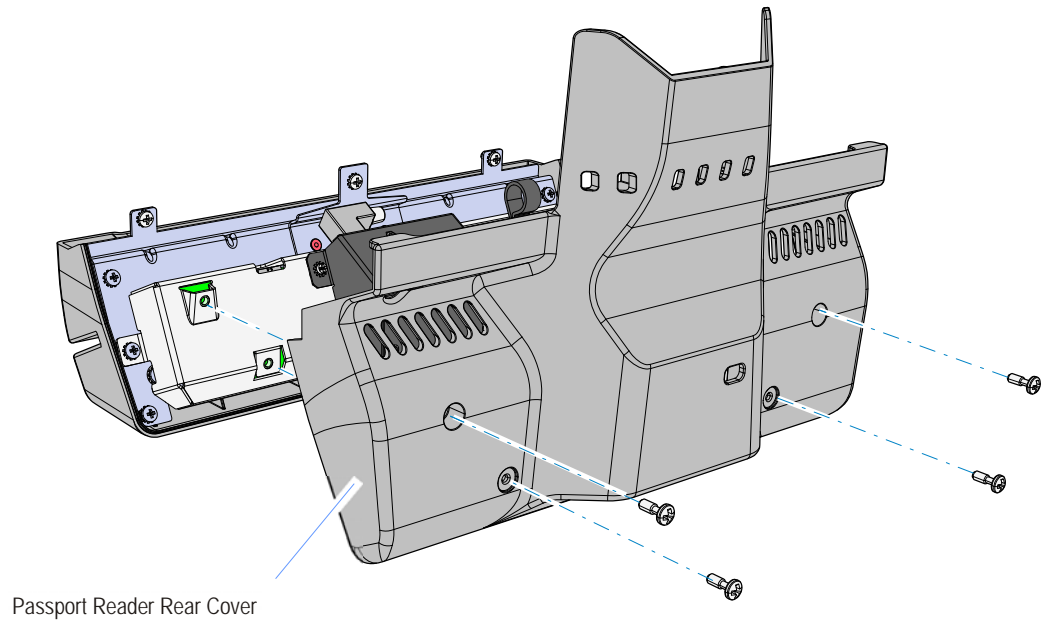
The installation procedures are identical except the number of USB cables to connect.

Components



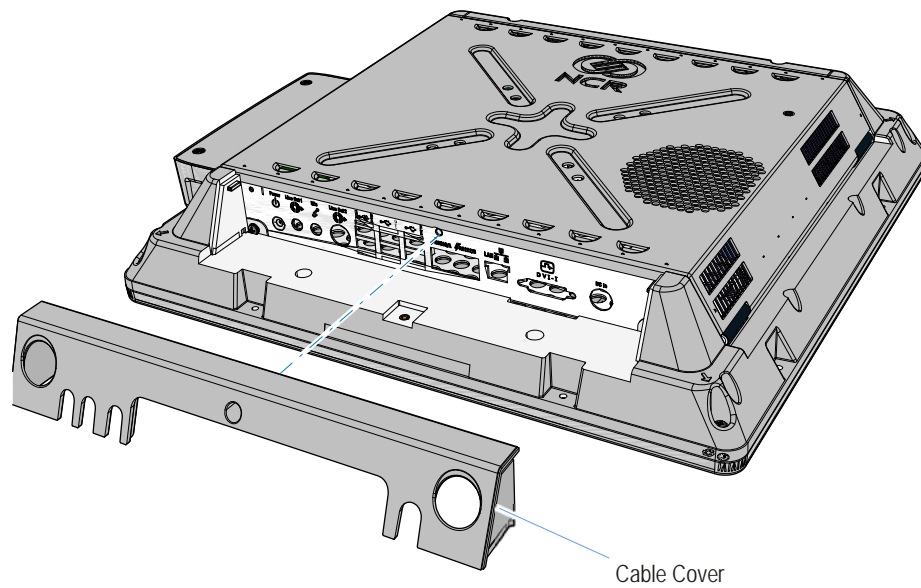
Installation Procedures

1. Remove the Passport Reader Rear Cover (4 screws) from the module.



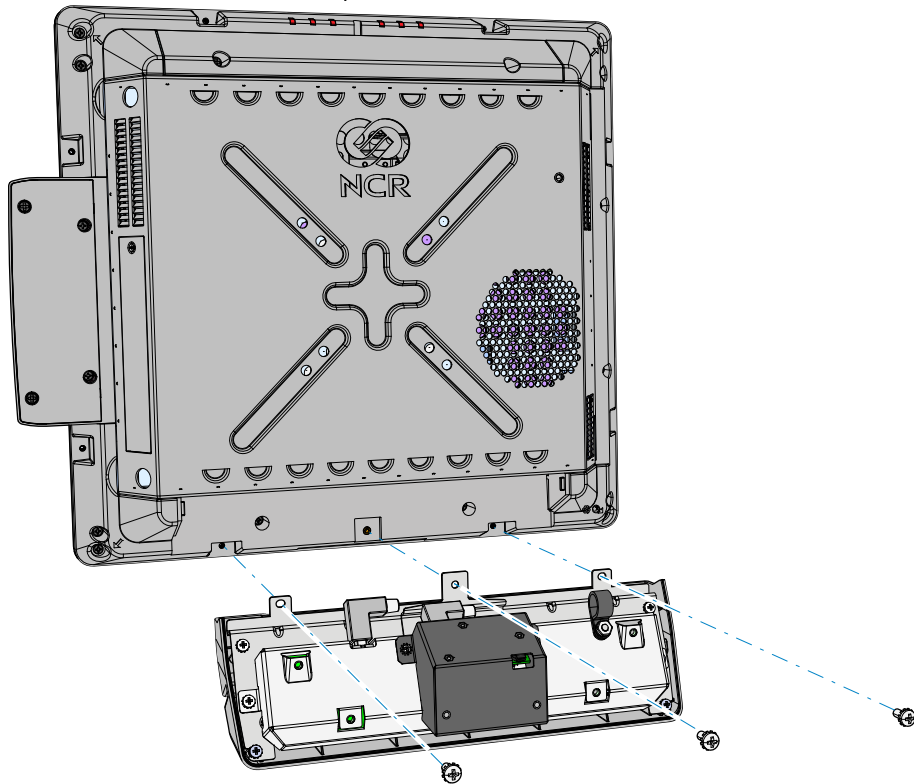
29884

2. Loosen the captive screw that secures the terminal Cable Cover and remove the cover.



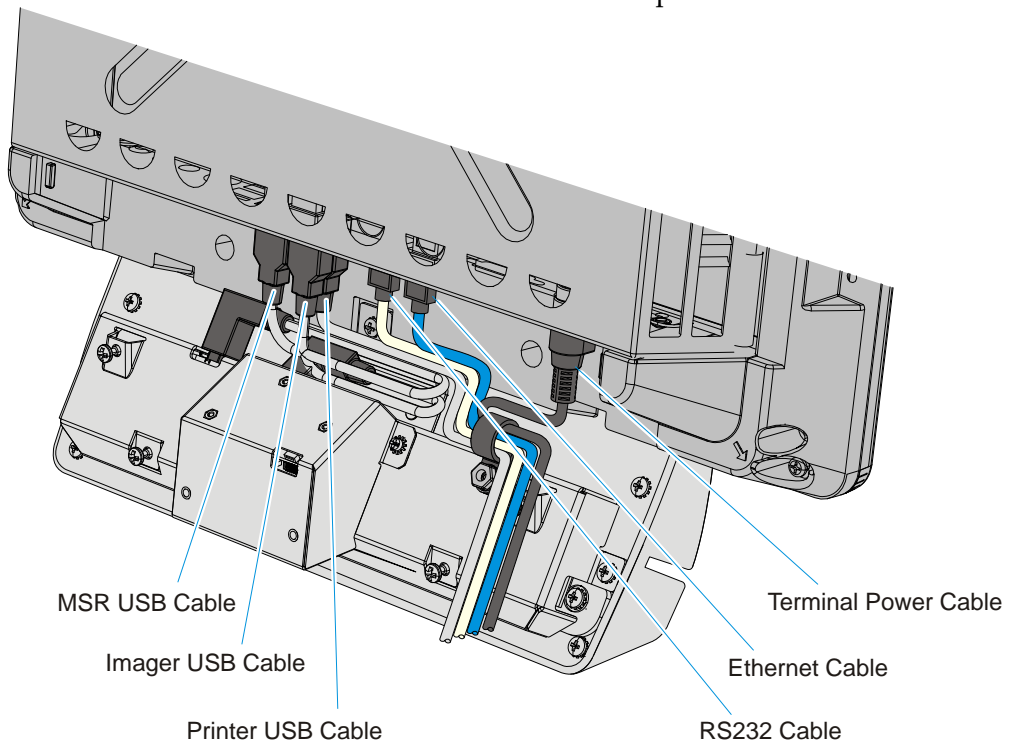
29816

3. Install the module onto the terminal (3 screws).



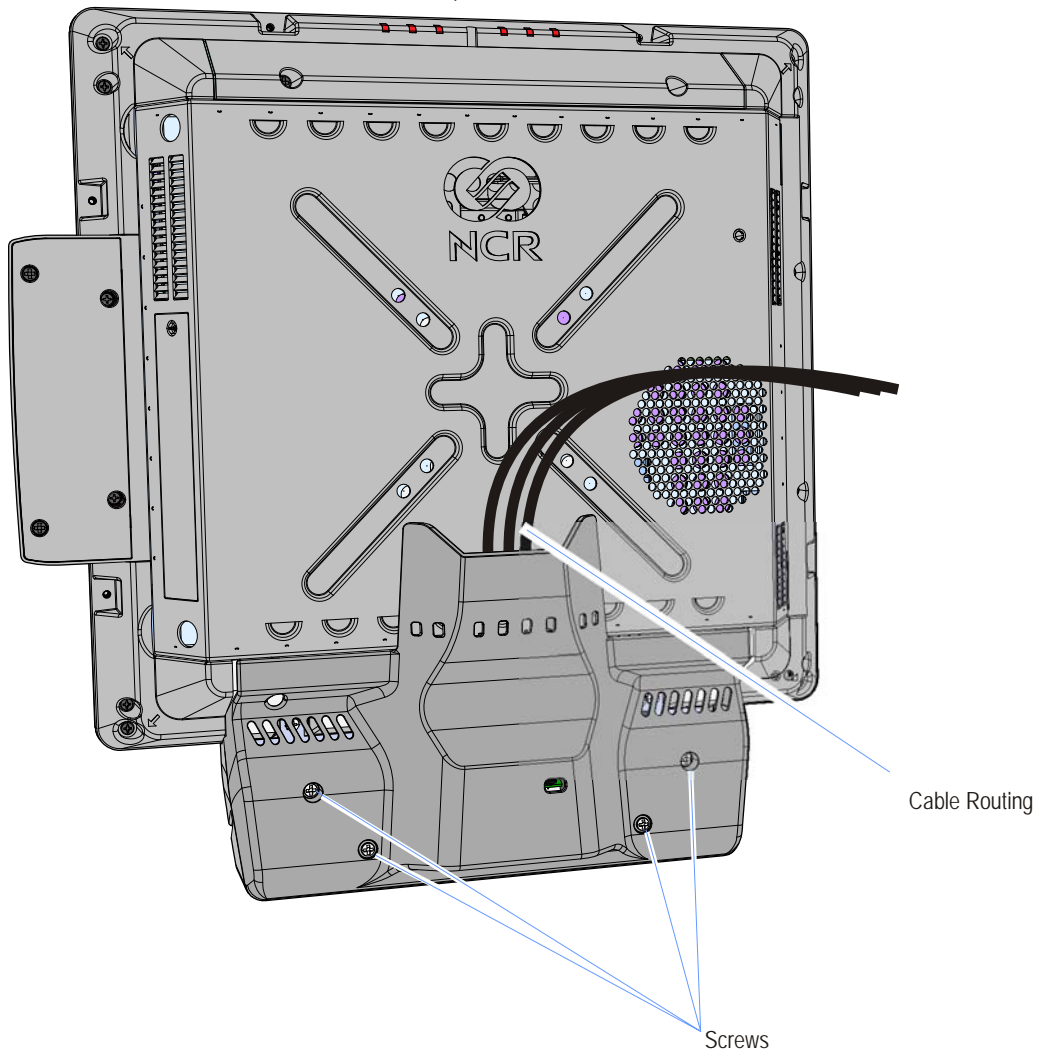
29885

4. Connect the MSR and Imager cables to the terminal I/O panel.
5. Secure the other external cables in the Cable Clamp on the module.



29886

6. Install the Passport Reader Rear Cover (4 screws) on the module. External cables are routed out of the module as shown.



7409 Restrictions for USB Devices if Using S3 Standby

If S3 Standby state is desired, there are certain restrictions with connecting the scanner to a 7409 terminal.

Restrictions on 7409 USB Ports:

If a Restricted Device is plugged into Port:	An S3 Wake Device can NOT be plugged into Port:
A	B
B	A
C	D
D	C
E	F
F	E

Note: The restrictions only apply if it is desired to put the unit in S3 standby state.

USB Devices Capable of Waking the 7409 from an S3 State

- USB Keyboard
- USB Mouse

Reasons for the Restrictions

- USB ports share UHCI host controllers in the Southbridge.
- All external USB ports on the 7409 are powered by 5VSB and kept ON during S3 Standby.
- Some USB peripherals are powered by the RS-232 port (either 5V or 12V).

Ways Around the Issue

- Adhere to the Restriction Guidelines provided above.
- In Windows, disable the S3 Wake Device's ability to wake the unit from Standby.
- Power the Restricted Devices from an external power source instead of the RS-232 ports.