

7409-K035

Fixed Angle Mount

Kit Instructions



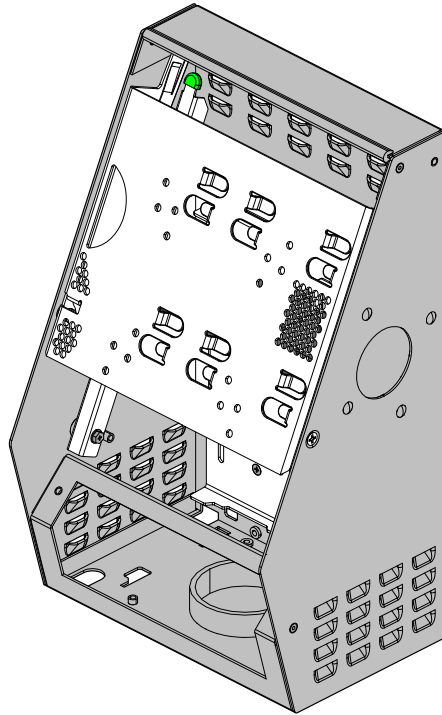
Issue B

Revision Record

Issue	Date	Remarks
A	Sept 2009	First issue
B	June 2011	New Power Supply Brackets using Velcro Straps

Introduction

This kit provides a Fixed Angle Mount for an NCR 7409 or NCR 7610/11 terminal, which can then be mounted on a wall, pole, or pedestal.



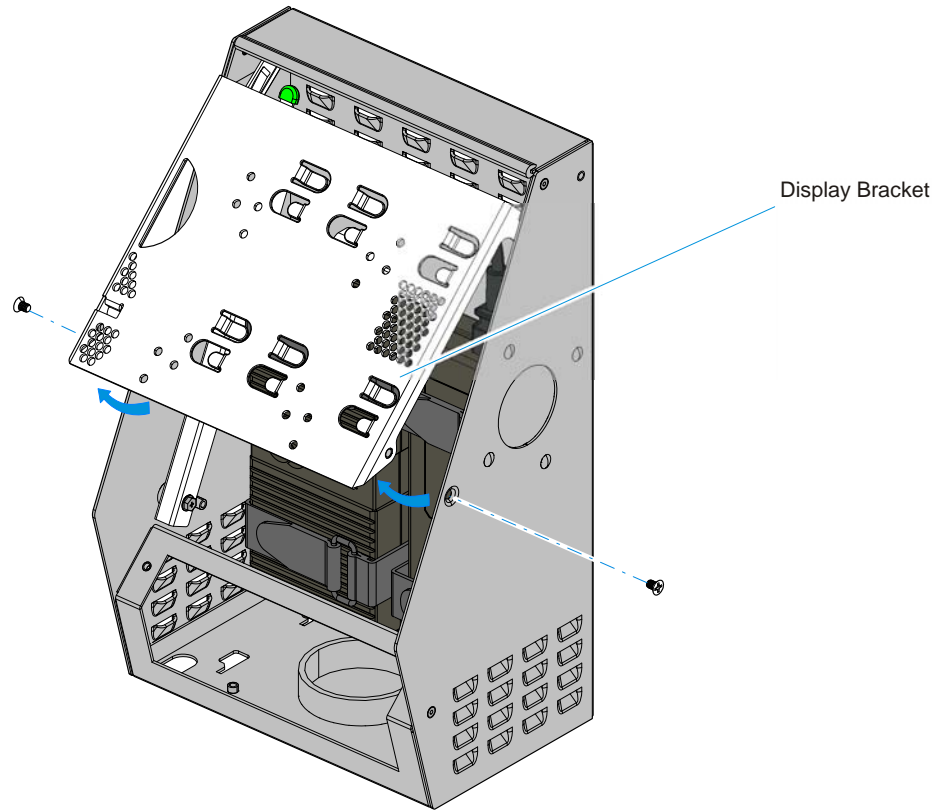
29803

This document discusses how to mount the 7404/09 terminal and power supply in the Fixed Angle Mount. The Fixed Angle Mount is also used in conjunction with other kits. For installation information see the following respective kit instructions.

- Floor Standing Pedestal (2336-K052)
- Pedestal Kit with Keyboard Shelf (2336-K037)
- Terminal and Self Service Printer Wall Mount Bracket (7402-K526)
- Wall Mount Bracket (7402-K561)
- Self Service Printer Wall Mount Bracket (7402-K563)
- Swivel Mount Bracket (7402-K566)
- Wall Mount Bracket with Wide Keyboard Shelf (7402-K568)
- Rugged Keyboard Mount (7402-K569)
- Printer Enclosure (7404-K594)

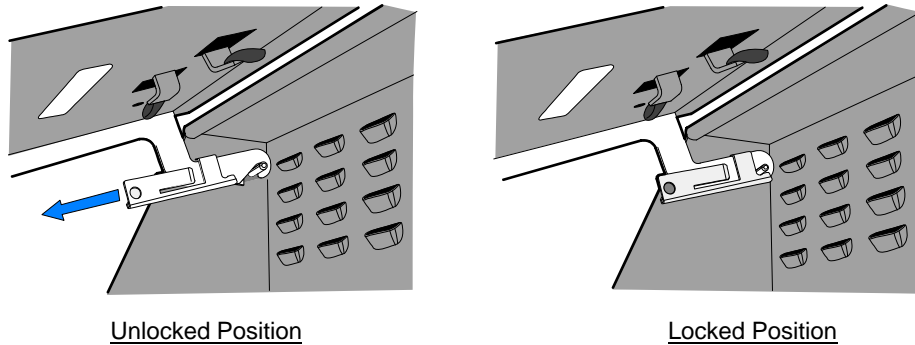
Installation Procedures

1. Remove the Display Bracket from the Fixed Angle Mount.
 - a. Remove the screws (2) and pivot the bottom of the Display Bracket out as shown.



29790

- b. Slide the Locking Brackets to the *unlocked* position.

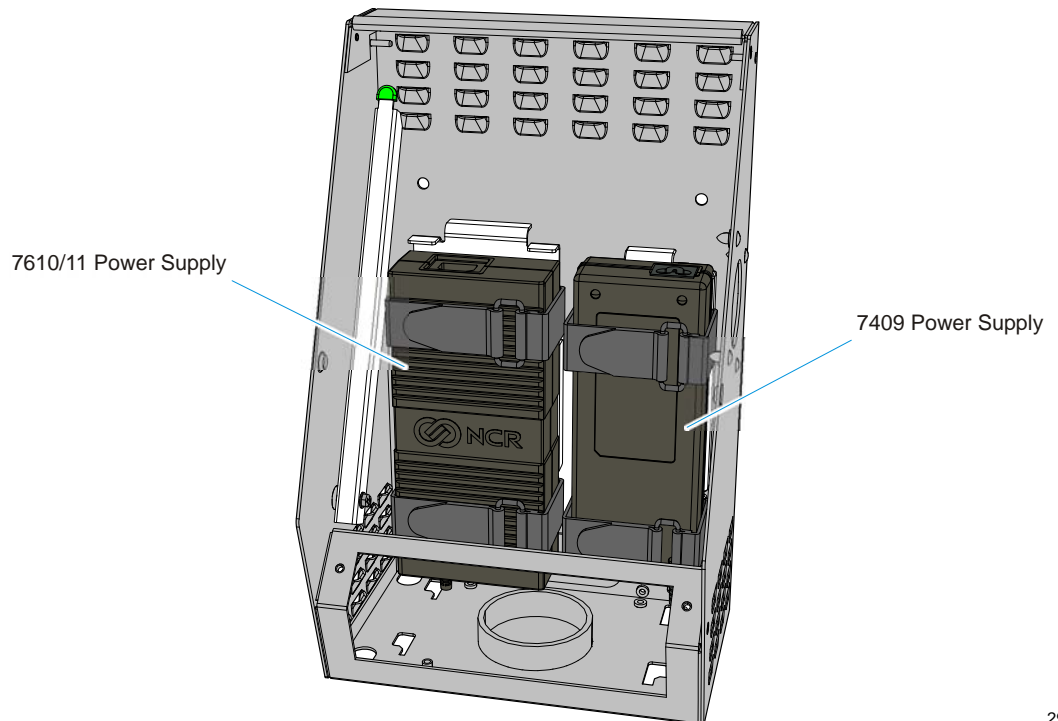


24444a

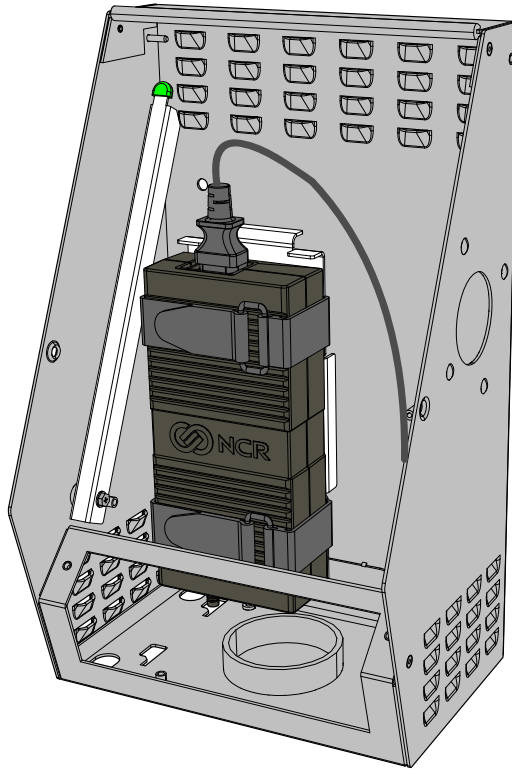
- c. Remove the Display Bracket.

2. Install the Power Supply Brick in the Fixed Angle Mount using the Velcro Straps. The larger of the two brackets is used to mount the 7610/11 Power Supply. The smaller bracket is used to mount the 7409 Terminal Power Supply.

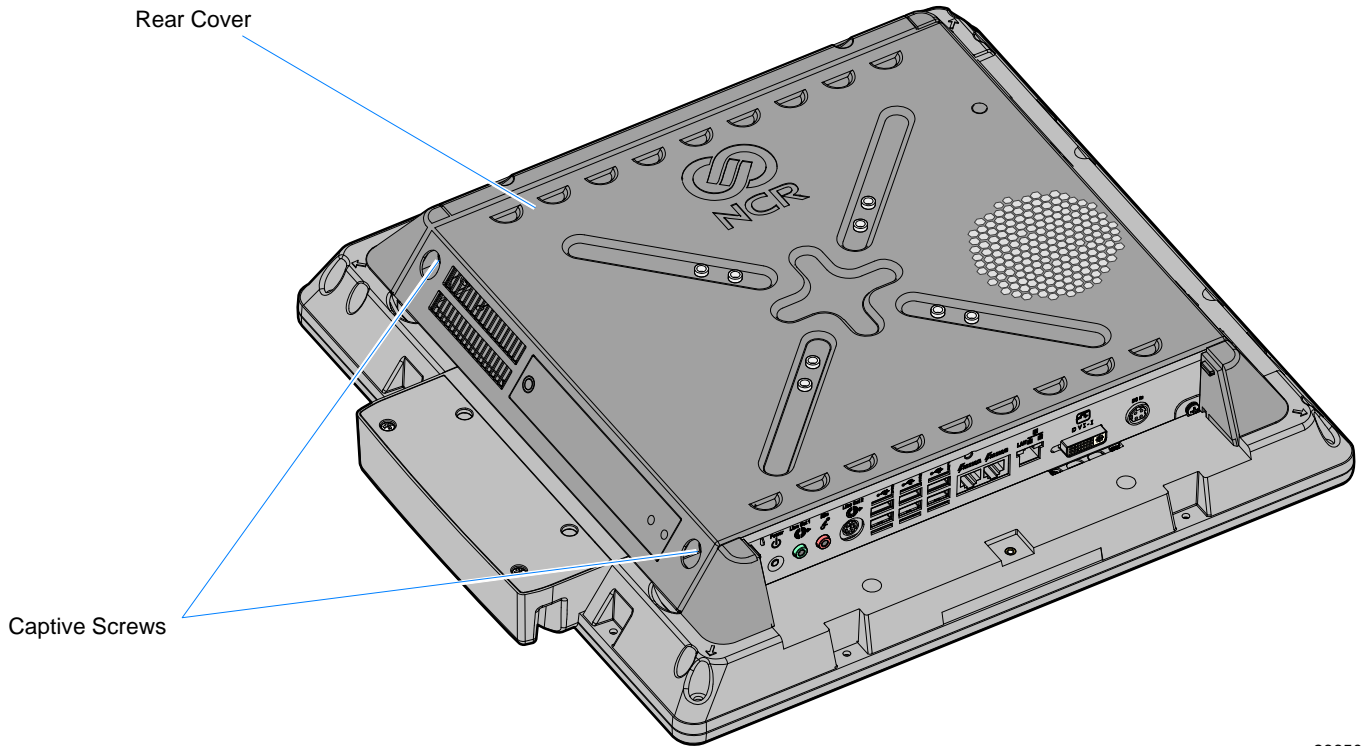
Note: The Fixed Angle Mount is used in the 7404-K594 Printer Enclosure Kit. In this case the printer power supply is also mounted in the Fixed Angle Mount.



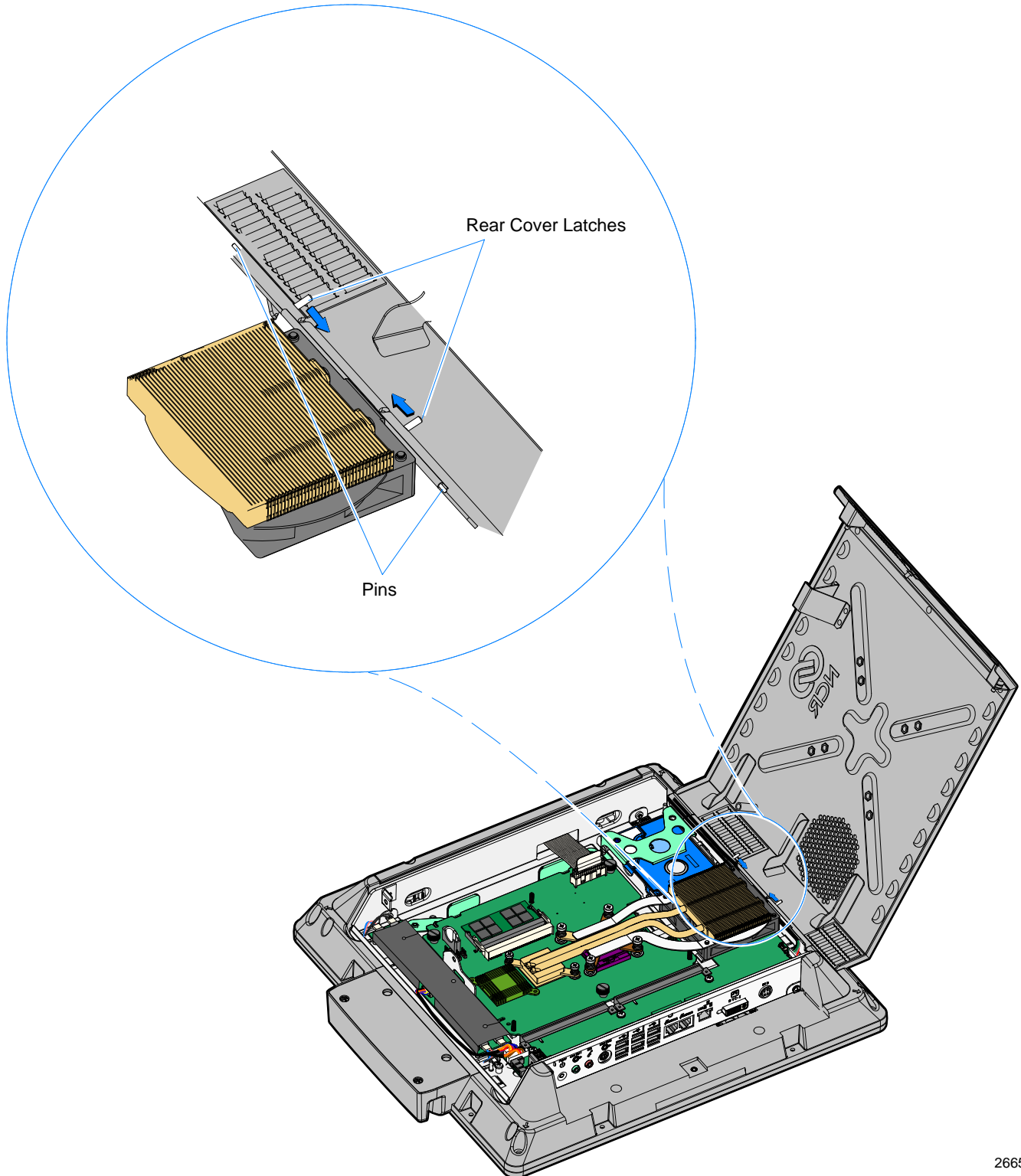
3. Connect the AC Power Cords to the Power Supplies.



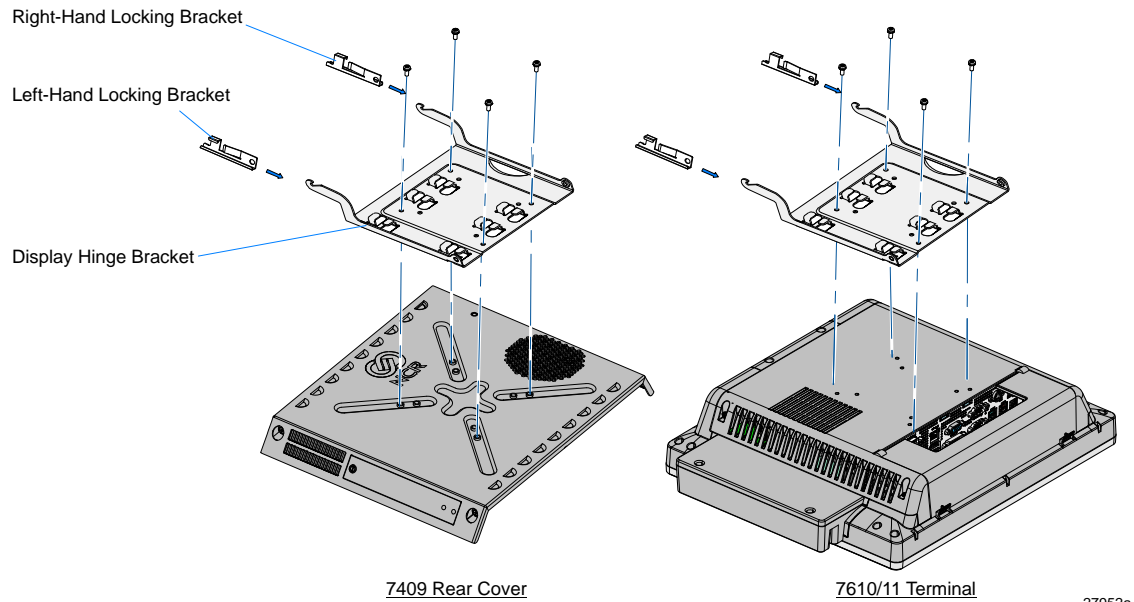
4. **7409 Only:** For ease in handling you can remove the 7409 Rear Cover from the Display Assembly. Skip this step if you are installing a 7404 Terminal.
 - a. Lay the terminal face down on a flat surface.
 - b. Loosen the captive screws (2) that secure the Rear Cover.



- c. Pivot the Rear Cover to the open position.
- d. Remove the Rear cover by squeezing the Rear Cover Latches together to retract the pins as indicated below.

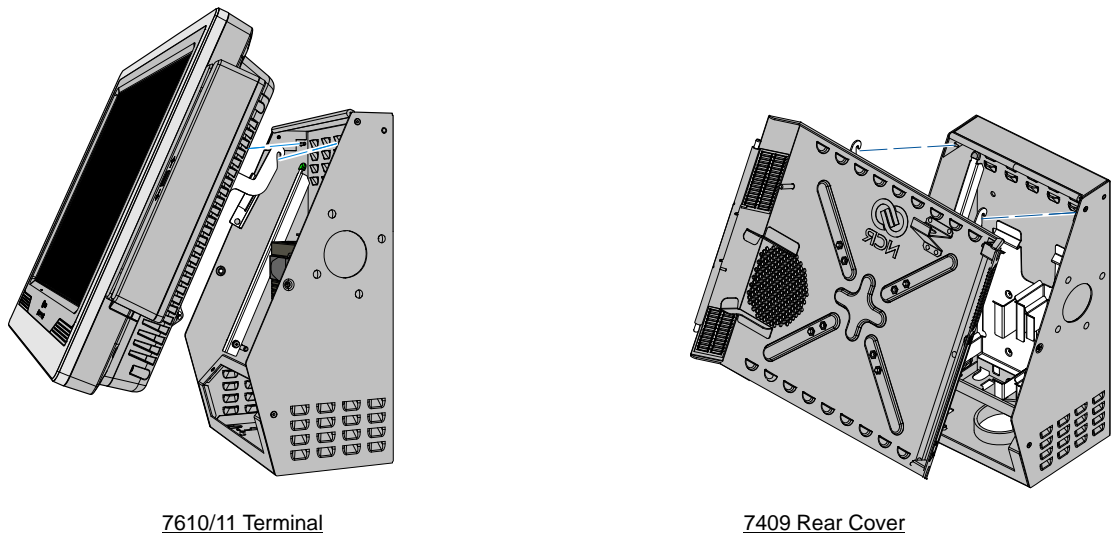


5. Install the Display Hinge Bracket onto the back of the terminal with screws (4).



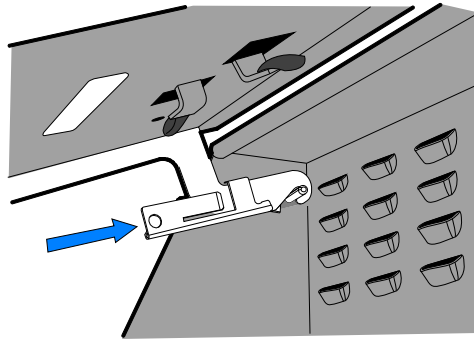
27952a

6. Slide the Locking Brackets onto the hooked extensions of the bracket.
7. Install the terminal/cover on the Fixed Angle Mount. Hook the Display Hinge Bracket extensions onto the two studs in the bracket.

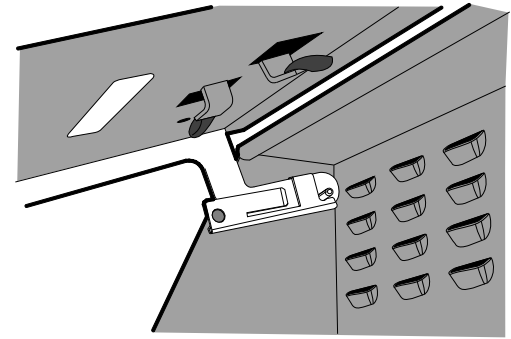


27953a

8. Slide the Locking Brackets to the *locked* position.



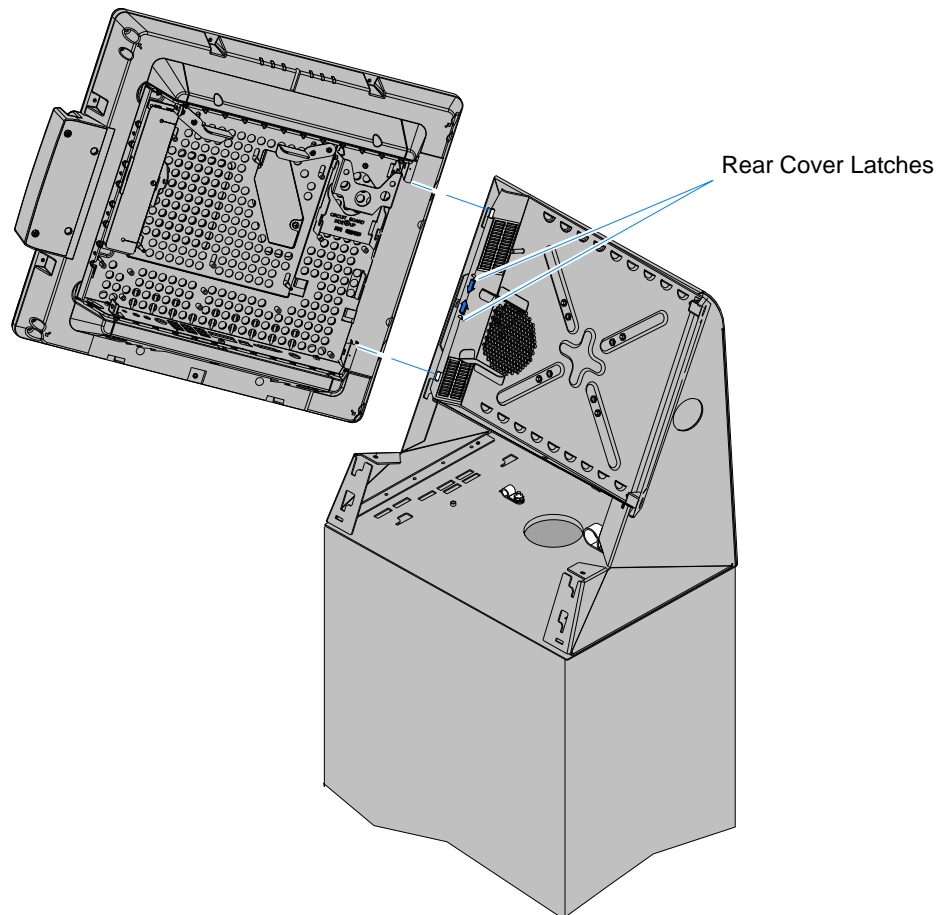
Unlocked Position



Locked Position

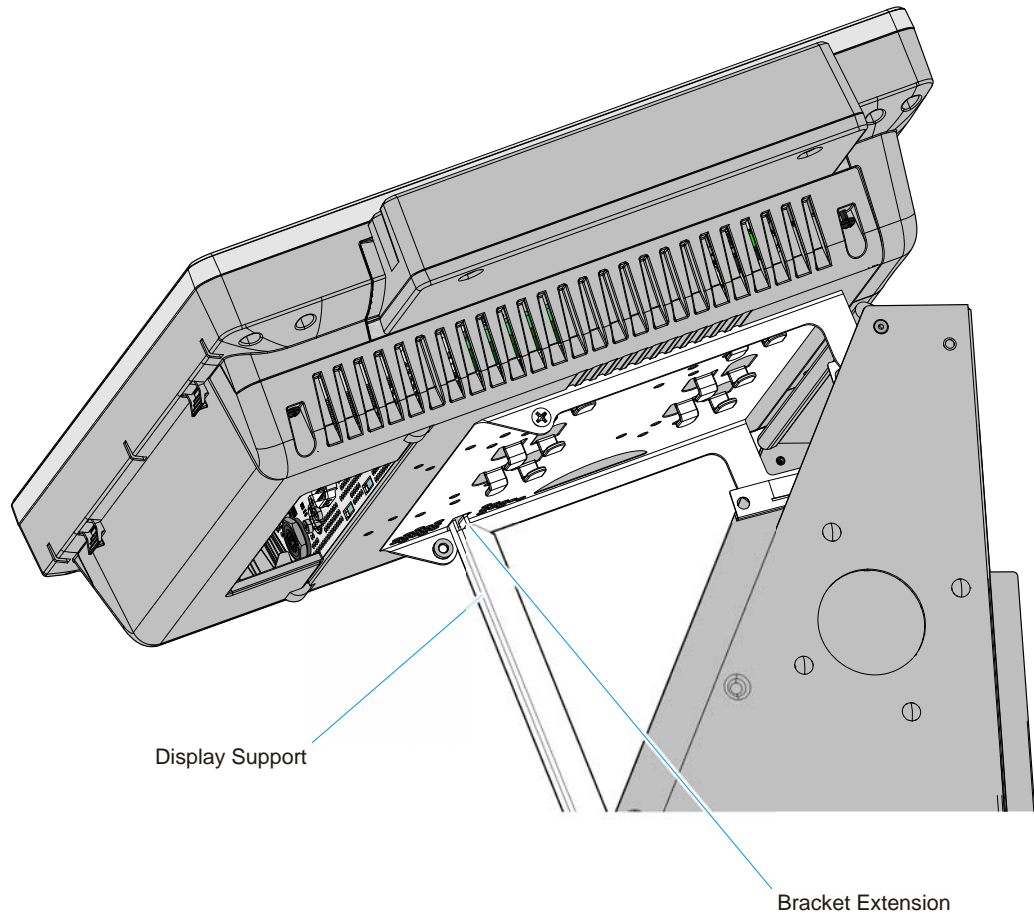
24444

9. **7409 Only:** Install the Display onto the Rear Cover hinge. Align the hinges and squeeze the Rear Cover Latches together to retract the pins. Once aligned, release the latches. Close the display. Tighten the captive screws (2) to secure the display.

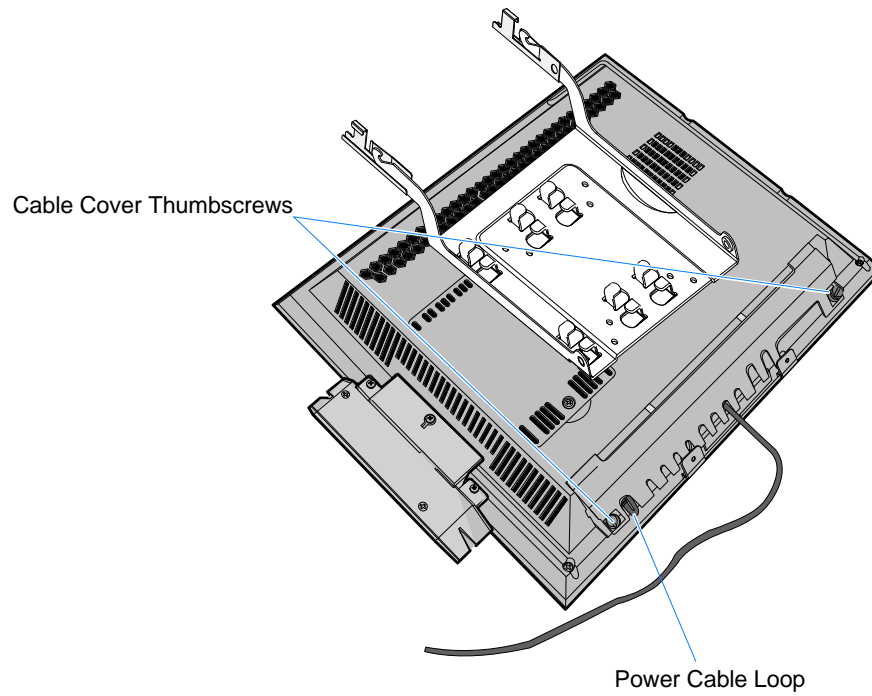


27948

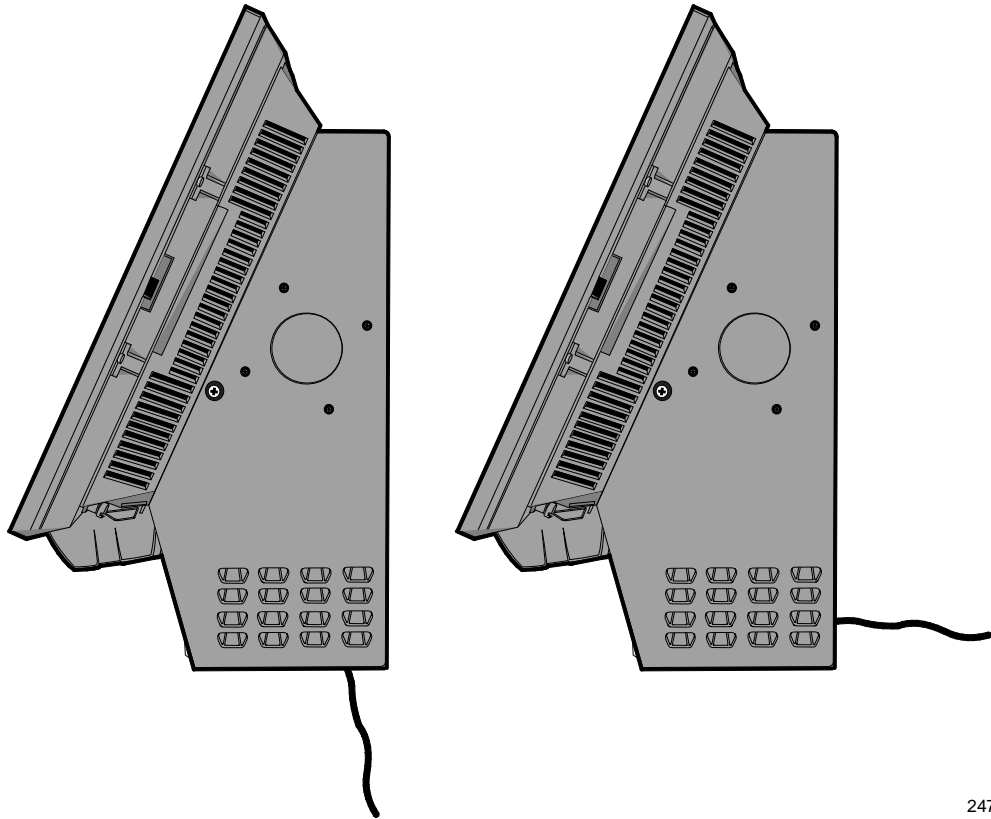
10. Rest the bottom of the display on the Display Support. Place the Display Support securely behind the Bracket Extension on the Display Hinge Bracket.



11. Connect the Power Supply Cable (and other cables as applicable) to the I/O Panel.
12. **7404 Only:** Install the Cable Cover (2 thumbscrews), routing the cable(s) out the slot(s) in the cover.

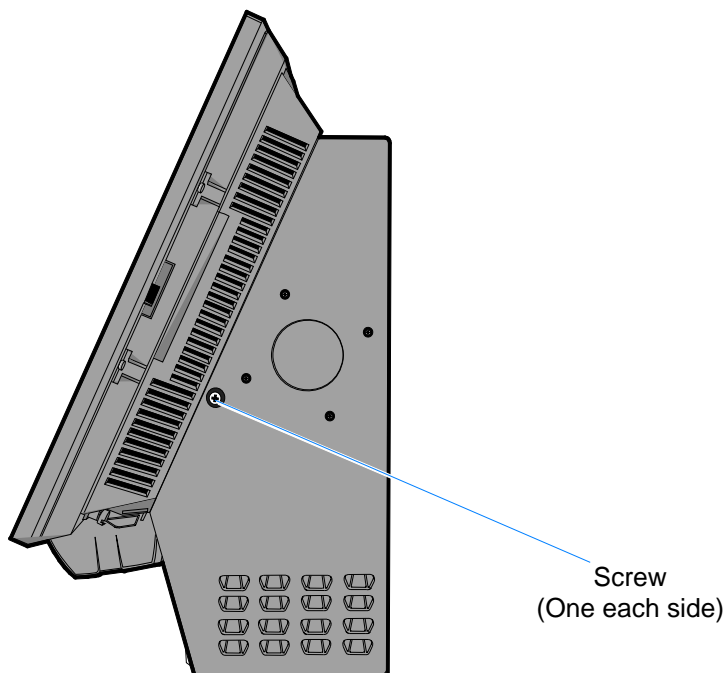


13. Route the external cables (AC Power Cord, LAN, etc.) out the openings in the bottom or back of the Fixed Angle Mount.



24744

14. Close the display and secure it with screws (2) in the sides of the Fixed Angle Mount.



24627