

7409-K064

Pedestal Keyboard Tray w/MS3207 Bar Code Scanner

Kit Instructions

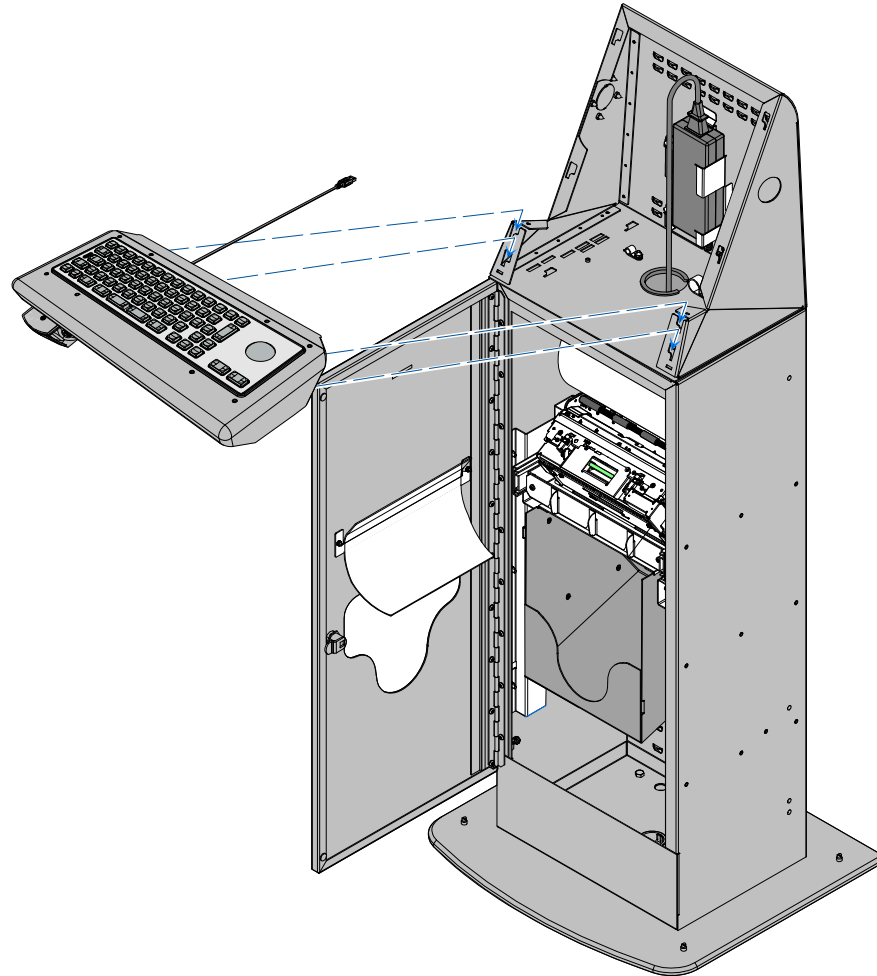


Issue B

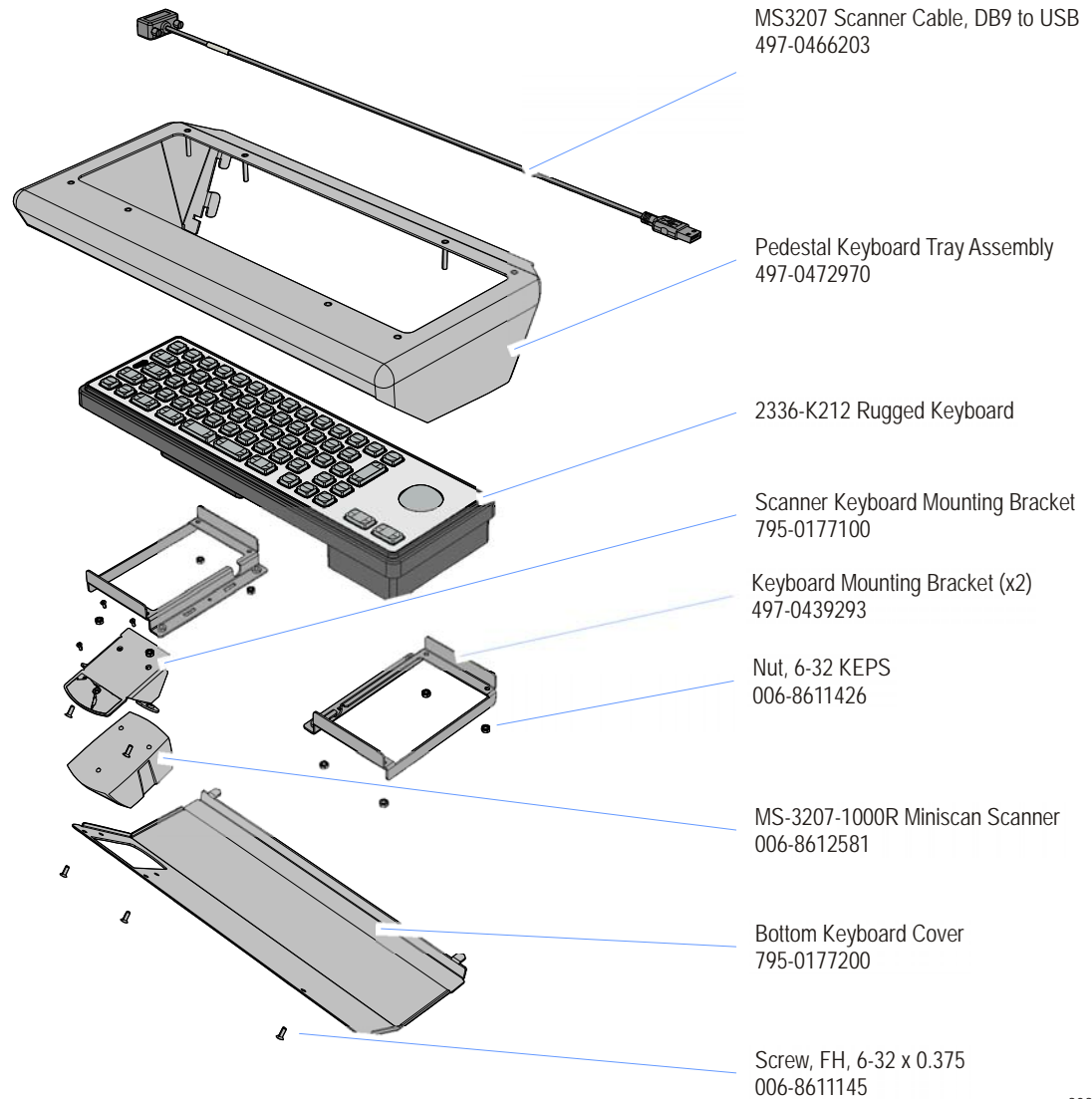
Revision Record

Issue	Date	Remarks
A	Oct 2009	First issue
B	Aug 2011	New design

This kit provides housing components for the Rugged Keyboard (2336-K212) that is installed on the Kiosk Full-Page and Receipt Printer Pedestals. The Keyboard Bottom has an opening to accommodate a bar code scanner. The keyboard is ordered separately.



Components



30346

Installation Instructions

For installation instructions see:

- Kiosk Full-Page Printer Pedestal Kit Instructions (7409-K065)
or
- Receipt Printer Pedestal Kit Instructions (7409-K066)