

7409-K300

Bar Code Scanner

Kit Instructions



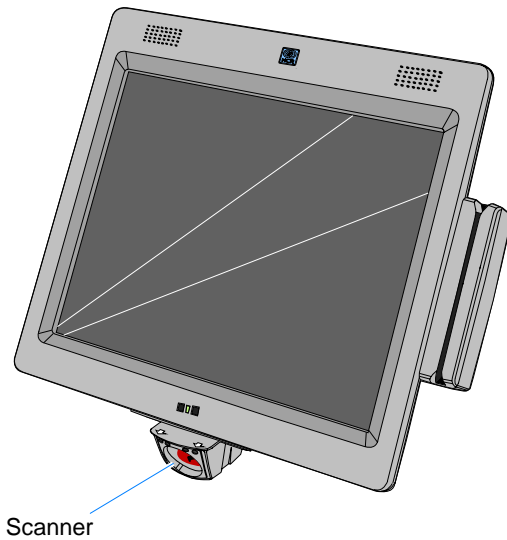
Issue A

Revision Record

Issue	Date	Remarks
A	Jan 2009	First issue

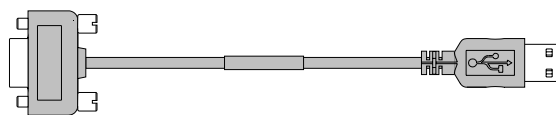
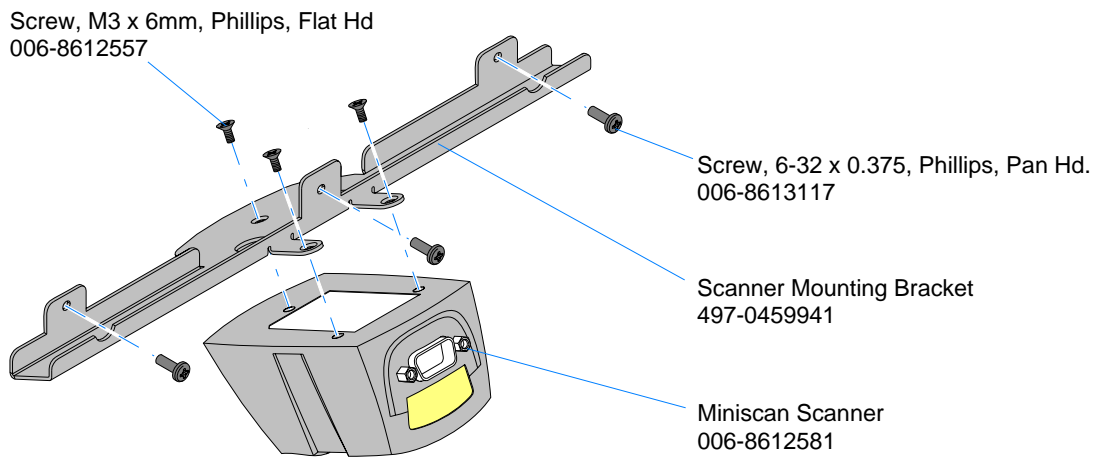
Introduction

This kit provides an integrated bar code scanner that installs on the bottom of the 7409 display assembly.



26963

Components



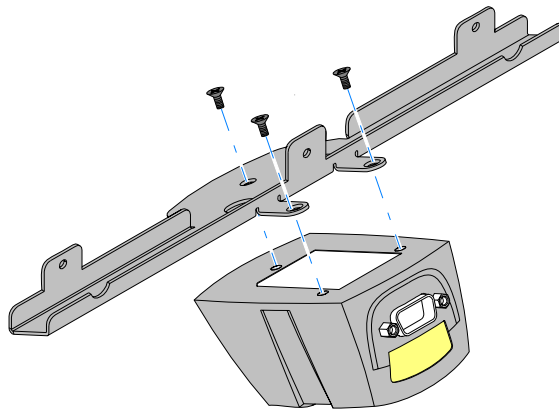
USB to RS-232 7' Scanner Cable
497-0452693

26964

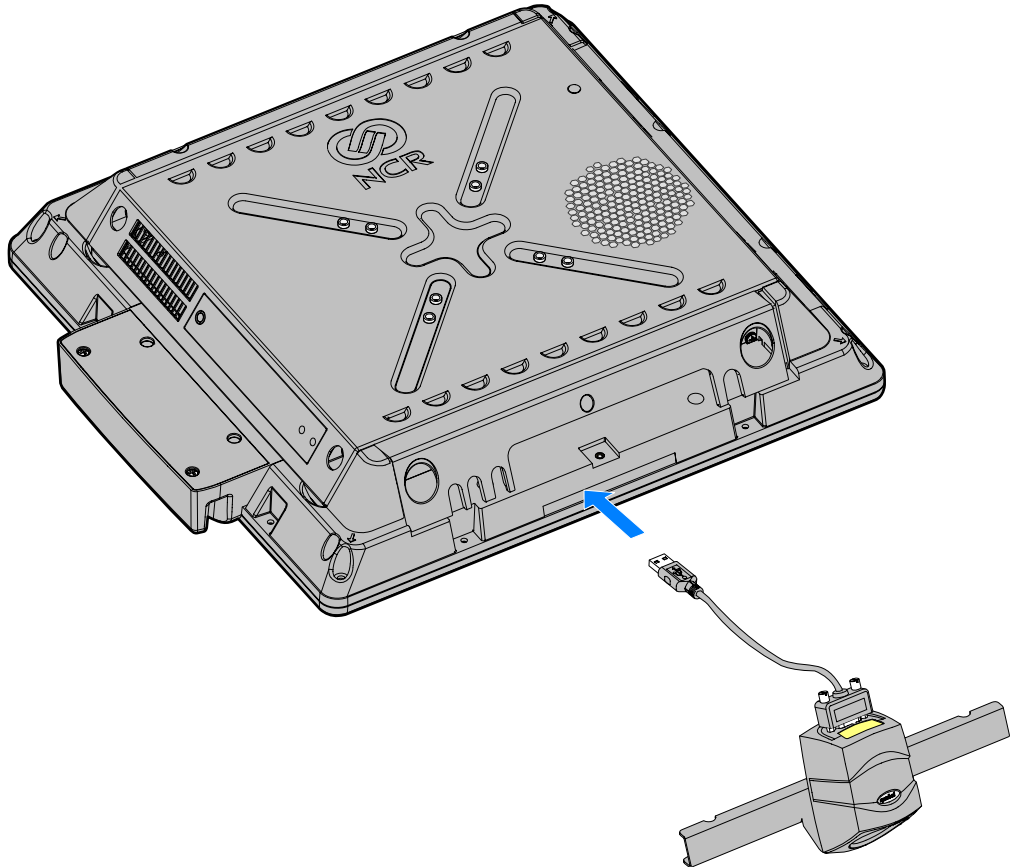
Installation Procedure

Caution: Static Electricity Discharge may permanently damage your system. Discharge any static electricity build up in your body by touching your computer's case for a few seconds. Avoid any contact with internal parts and handle cards only by their external edges.

1. Turn Off the power to the terminal and any connected peripheral devices. Unplug the terminal's power cord.
2. Assemble the Scanner Mounting Bracket and Scanner using screws (3).

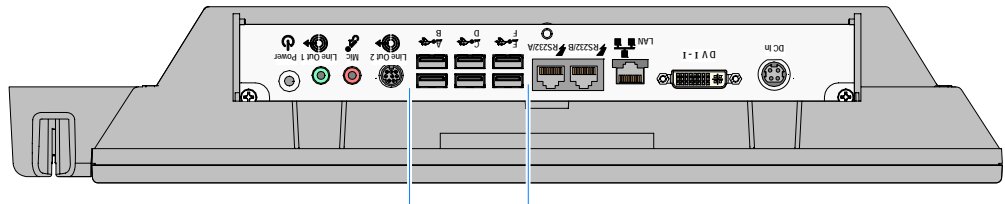


3. Connect the Scanner USB to RS-232 Cable to the 9-Pin D-Shell connector on the scanner
4. Connect the other end of the cable to one of the USB connectors on the 7409 I/O panel.



26967

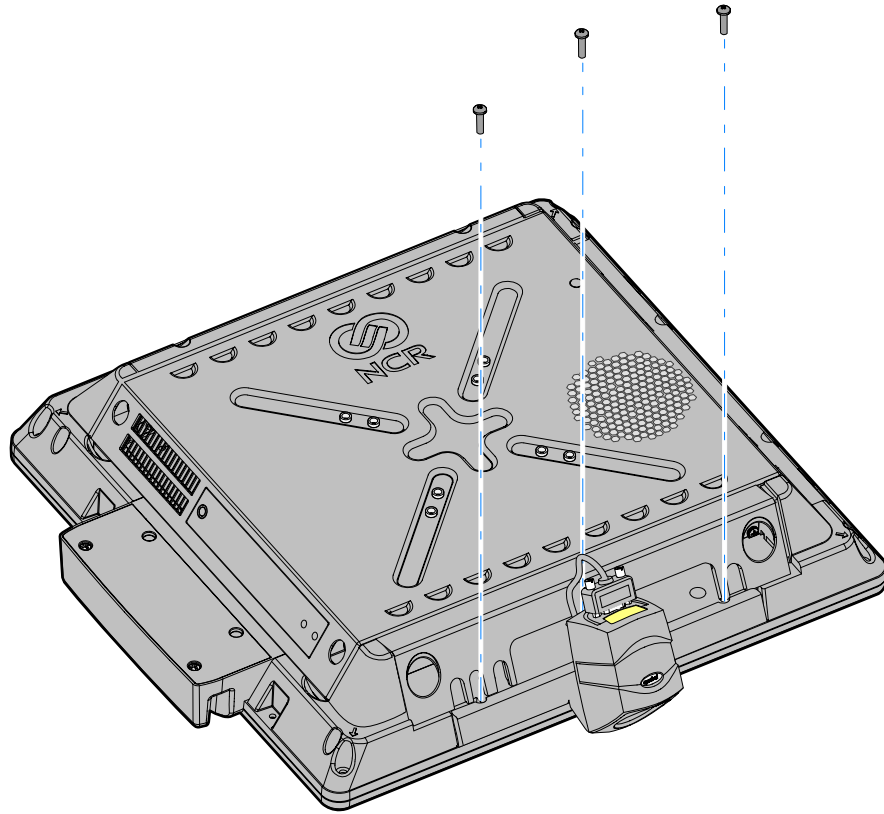
Note: The illustration below has the Cable Cover removed to show the USB connectors. It is not necessary to remove the Cable Cover.



USB Ports

26966

5. Insert the Scanner Mounting Bracket into the slots in the bottom of the display assembly.



26968

6. Secure the bracket with screws (3).

For more information about using the scanner see the following:

- NCR 7404 Scanner Quick Reference Guide (B005-0000-1792)
- NCR 7404 Scanner Implementation Guide (B005-0000-1793)