

7409-K303

Bar Code Scanner Replacement

Kit Instructions



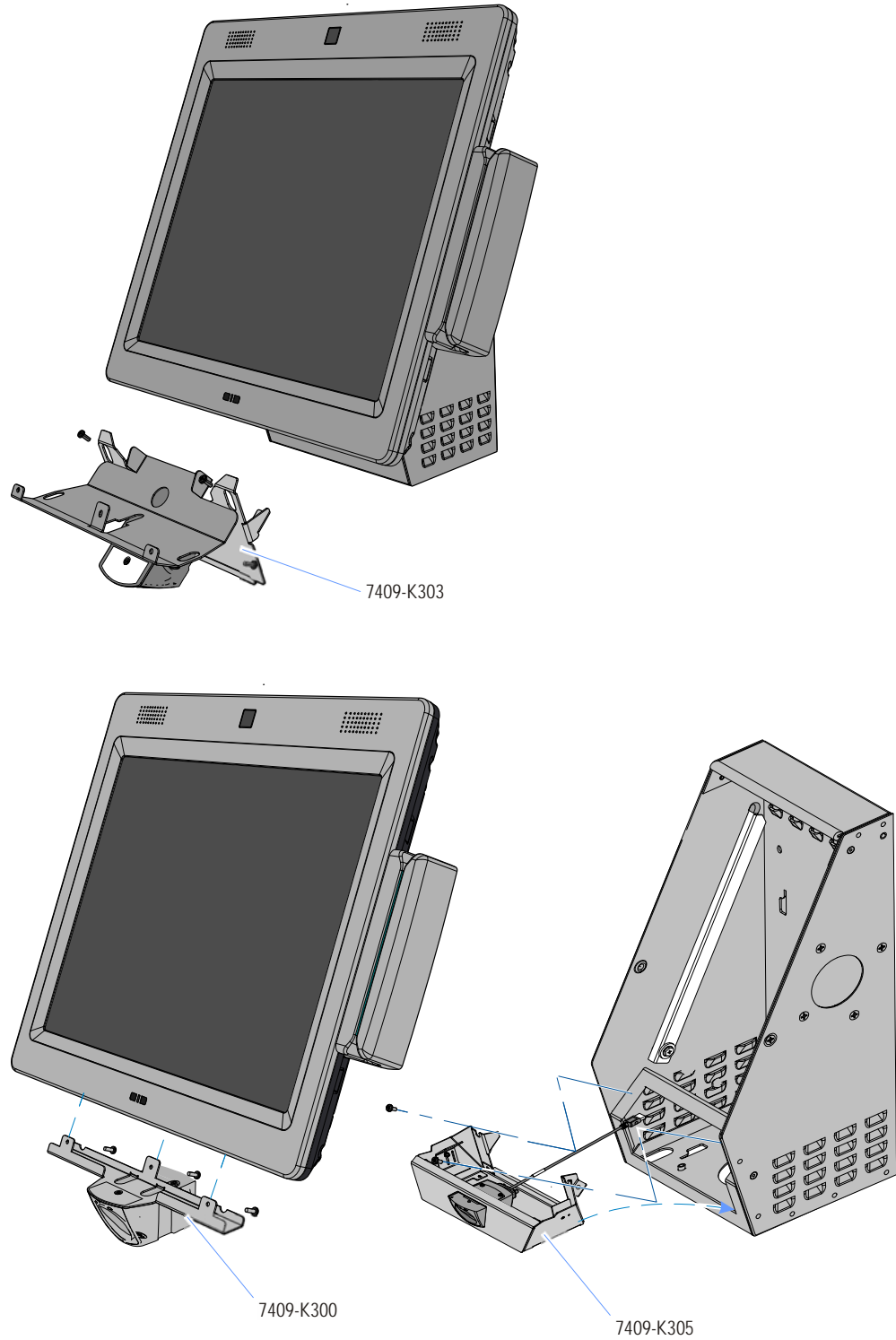
Issue A

Revision Record

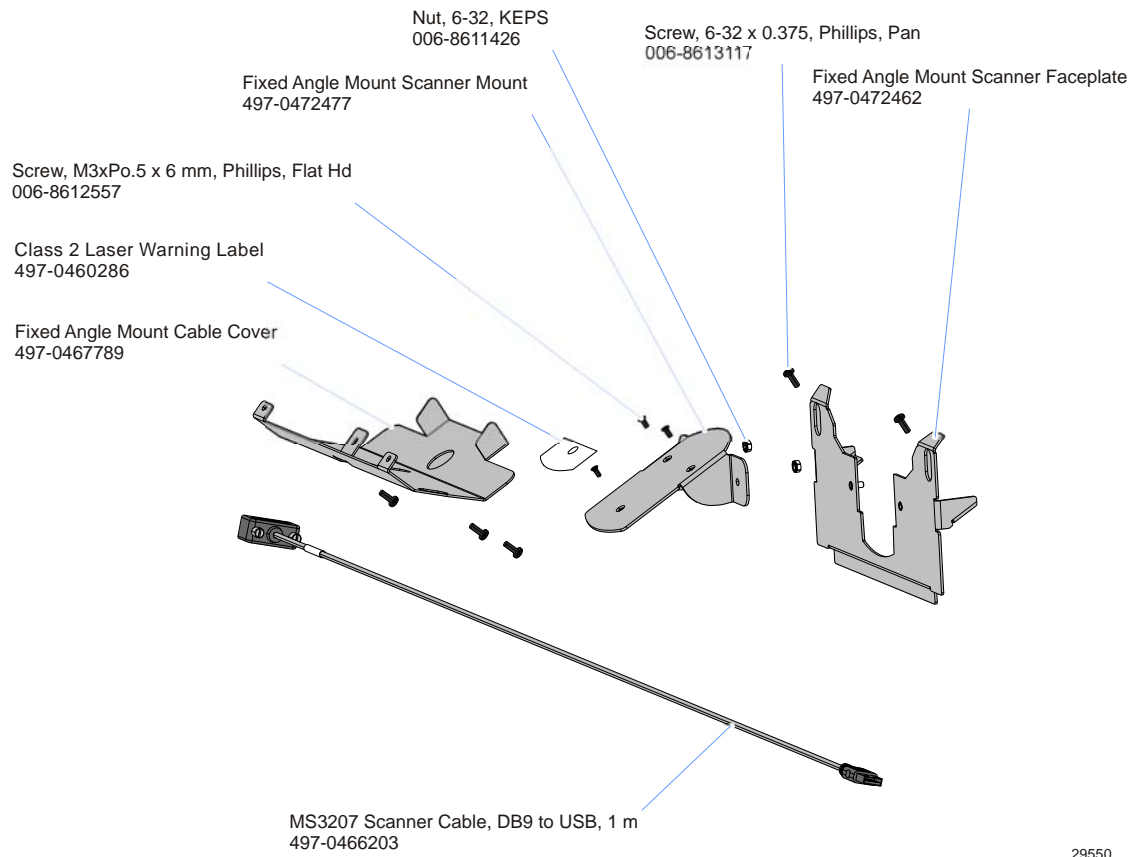
Issue	Date	Remarks
A	Apr 2011	First issue

Introduction

Use these instructions to replace the 7409-K300/K305 Bar Code Scanner mounting brackets with the 7409-K302 brackets.



Kit Contents

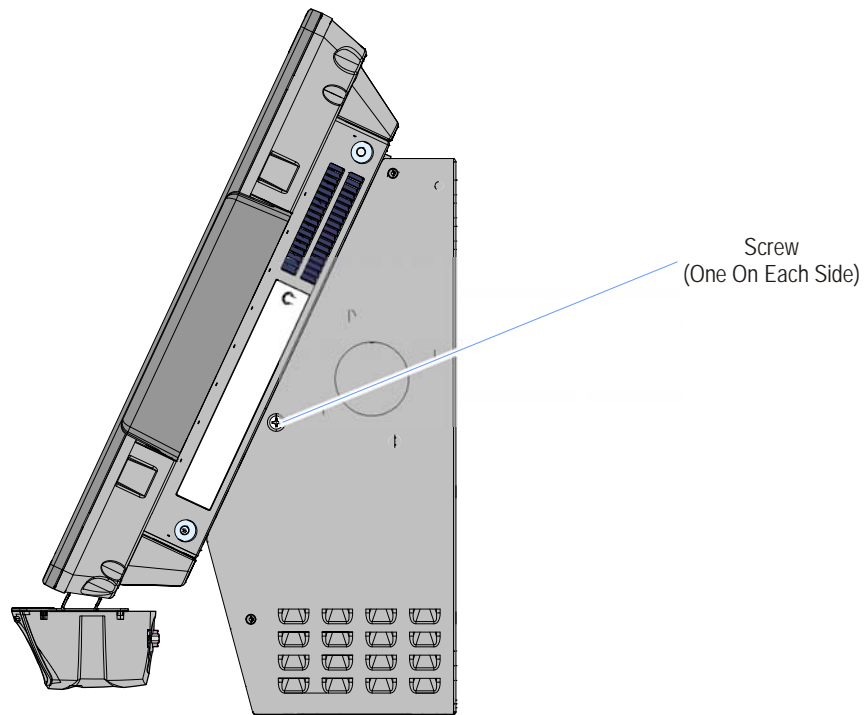


Installation Procedures

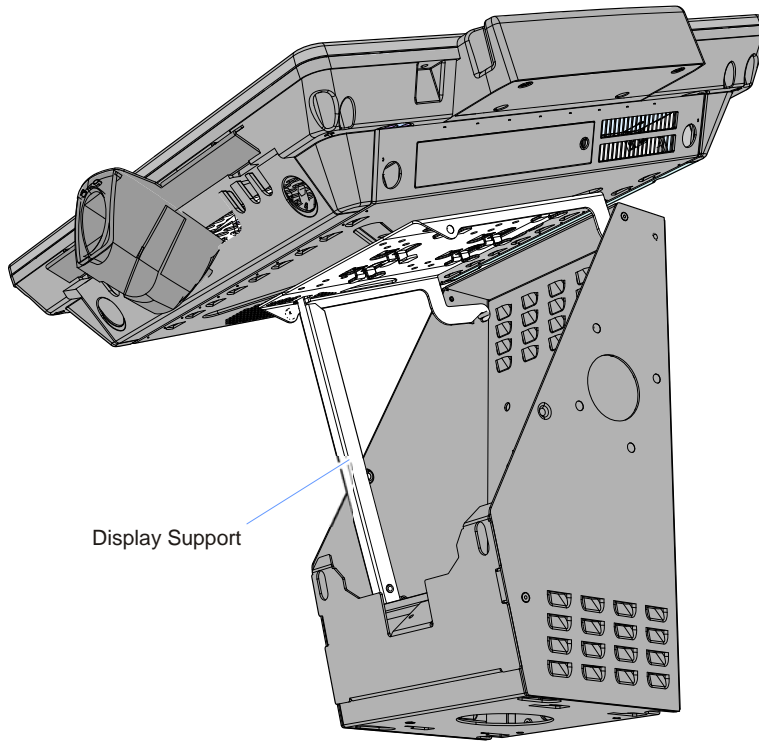
1. Unplug the terminal's power cord and turn off the power to any connected peripheral devices.
2. Remove the current scanner assembly (7409-K300 or 7409-K305).

Removing 7409-K300

3. Open the unit to the service position.
 - a. Remove the screws (2) in the sides of the Fixed Angle Mount.

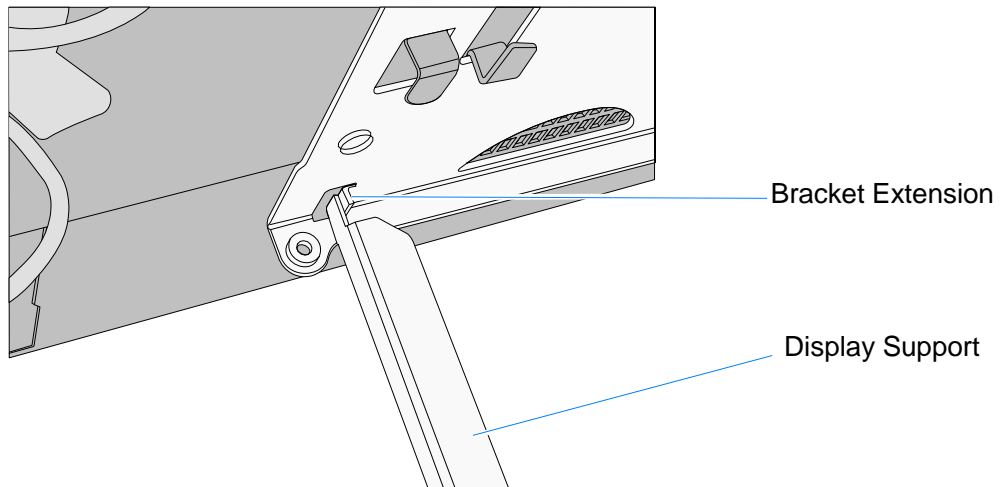


b. Tilt the display as shown and rest the display on the Display Support.



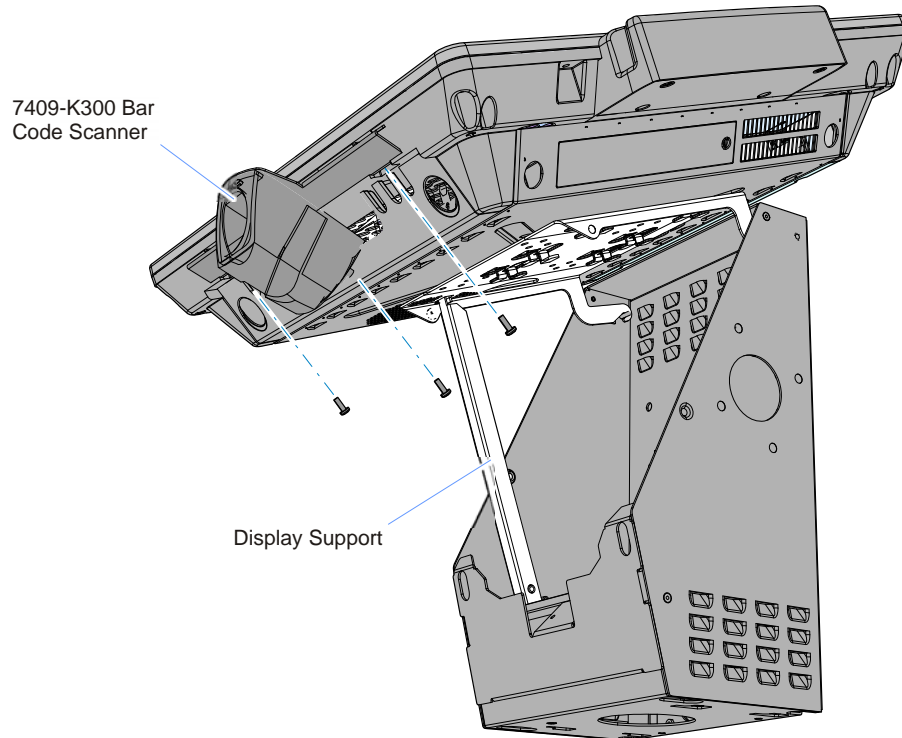
29544

Note: Place the Display Support behind the extension on then Display Hinge Bracket.



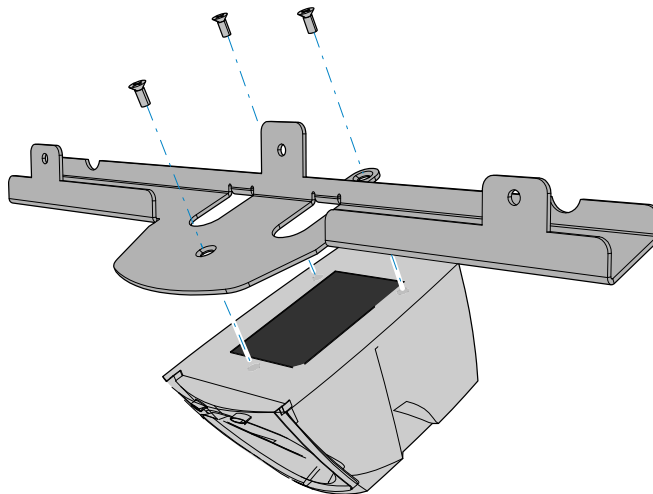
24753

4. Remove the screws (3) that secure the Scanner Bracket to the terminal cabinet. Remove the assembly and disconnect the Scanner Cable from the terminal.



29543

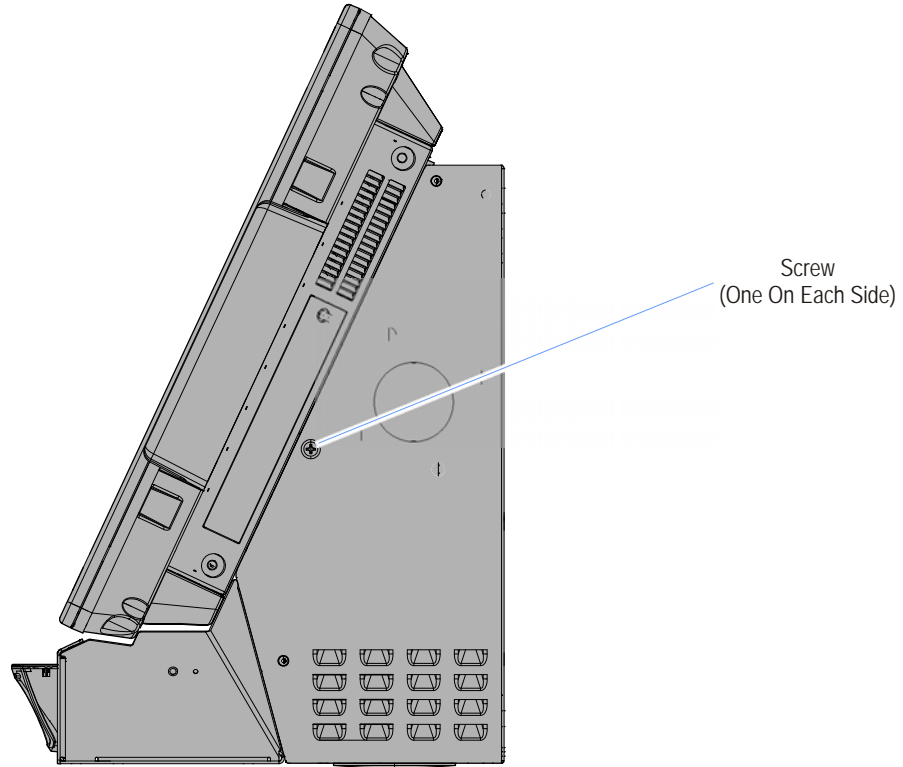
5. Disconnect the Scanner Cable from the scanner. Discard this cable.
6. Remove the Bar Code Scanner from the Scanner Mounting Bracket (3 screws). Discard the bracket but retain the screws.



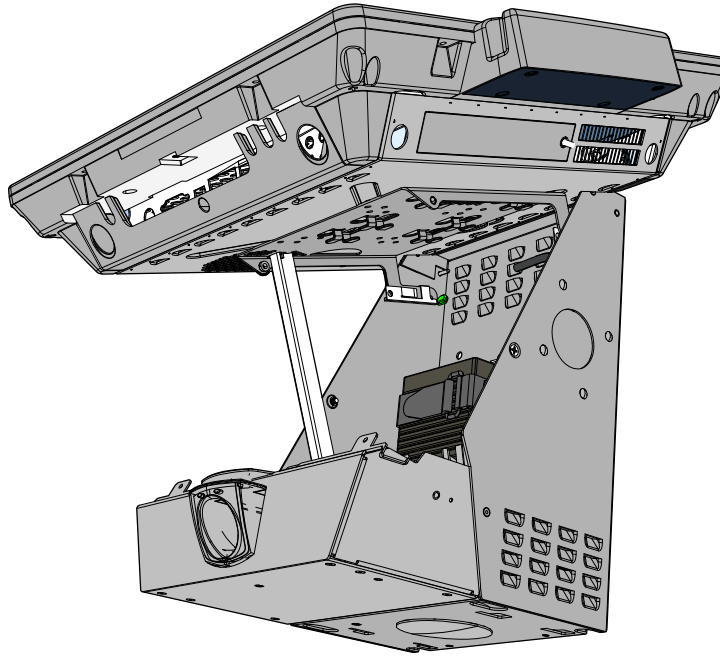
29541

Removing 7409-K305

1. Open the unit to the service position.
 - a. Remove the screws (2) in the sides of the Fixed Angle Mount.

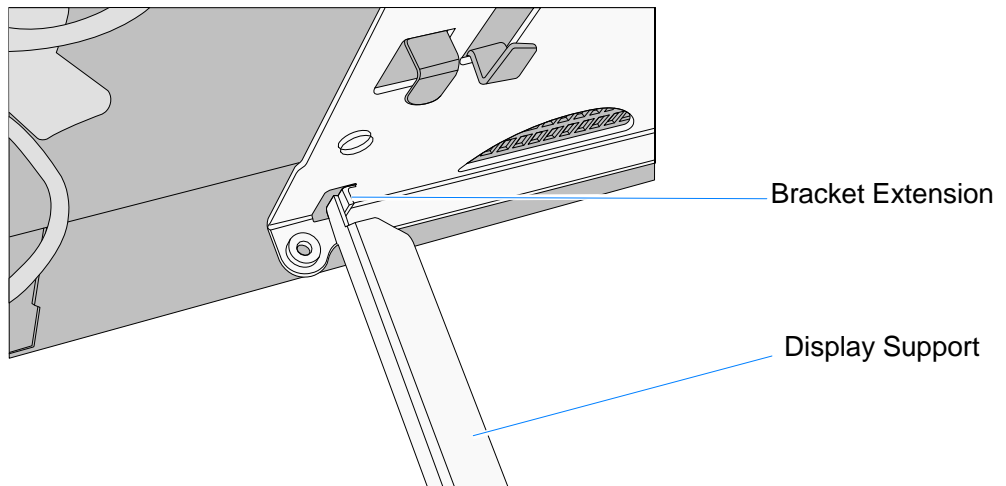


- b. Tilt the display as shown and rest the display on the Display Support.



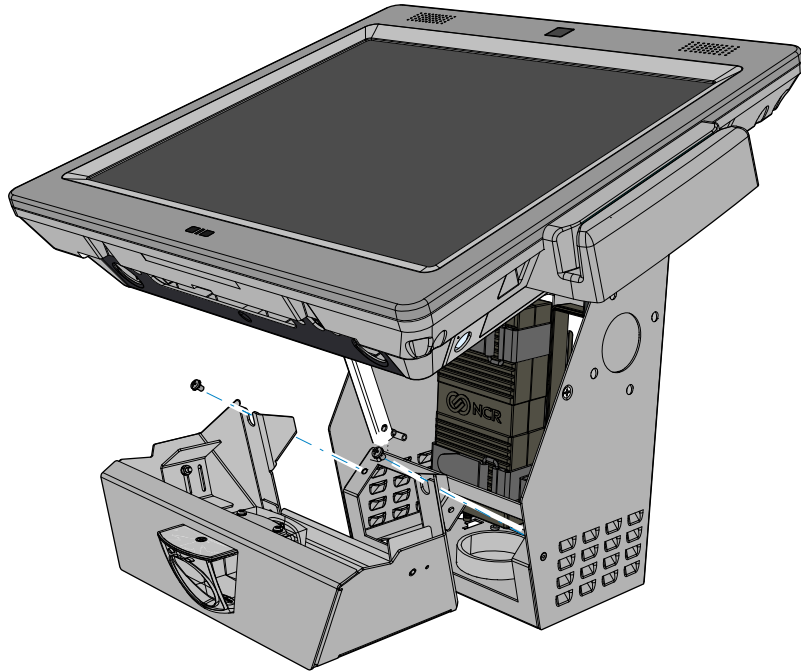
29824

Note: Place the Display Support behind the extension on then Display Hinge Bracket.



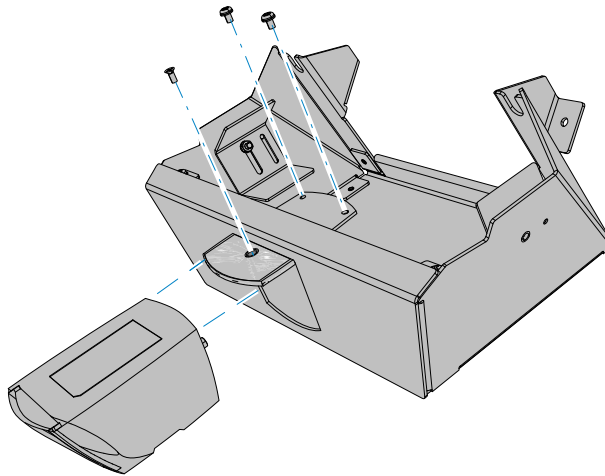
24753

2. Remove the screws (2) that secure the Scanner Bracket to the terminal cabinet. Remove the assembly and disconnect the Scanner Cable from the terminal.



29825

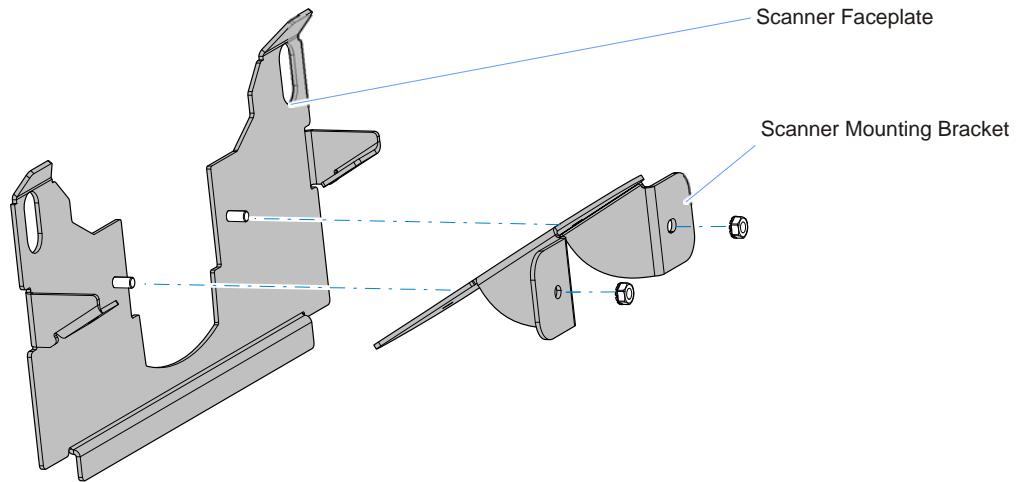
3. Disconnect the Scanner Cable from the scanner. Discard this cable.
4. Remove the Bar Code Scanner from the Scanner Mounting Bracket (3 screws). Discard the bracket but retain the screws.



29826

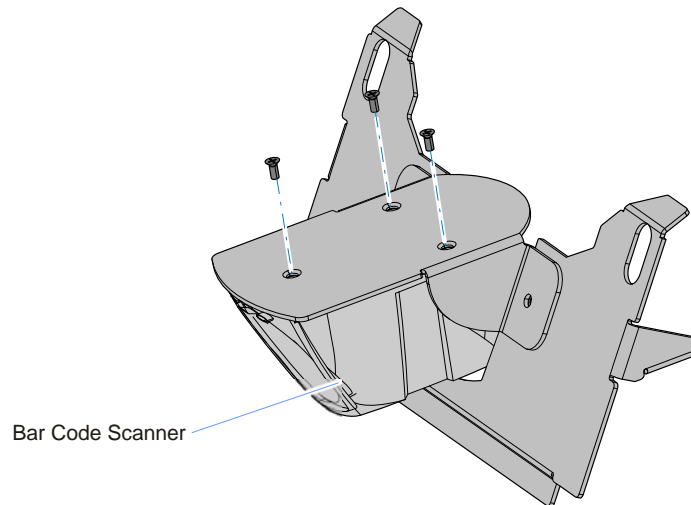
Assembling the new bracket assembly

1. Assemble the Scanner Faceplate and Scanner Mounting Bracket (2 hex nuts).



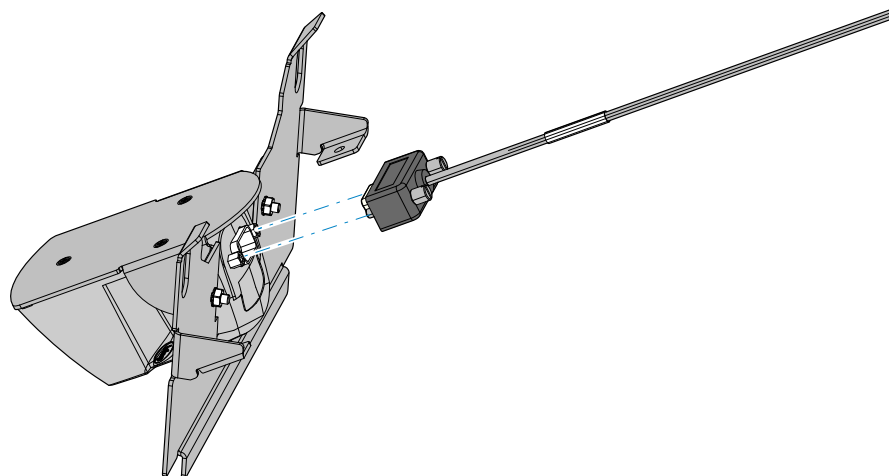
29538

2. Install the Bar Code Scanner on the Scanner Mounting Bracket (3 screws).



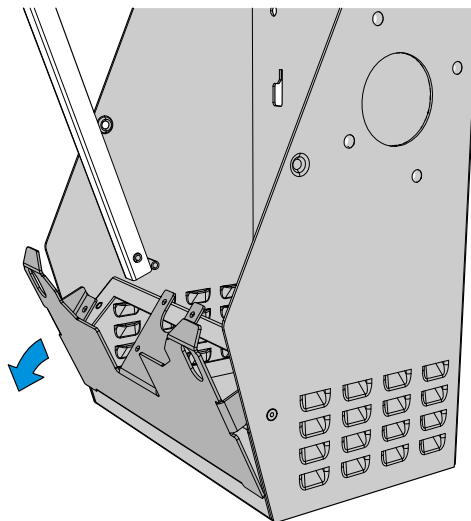
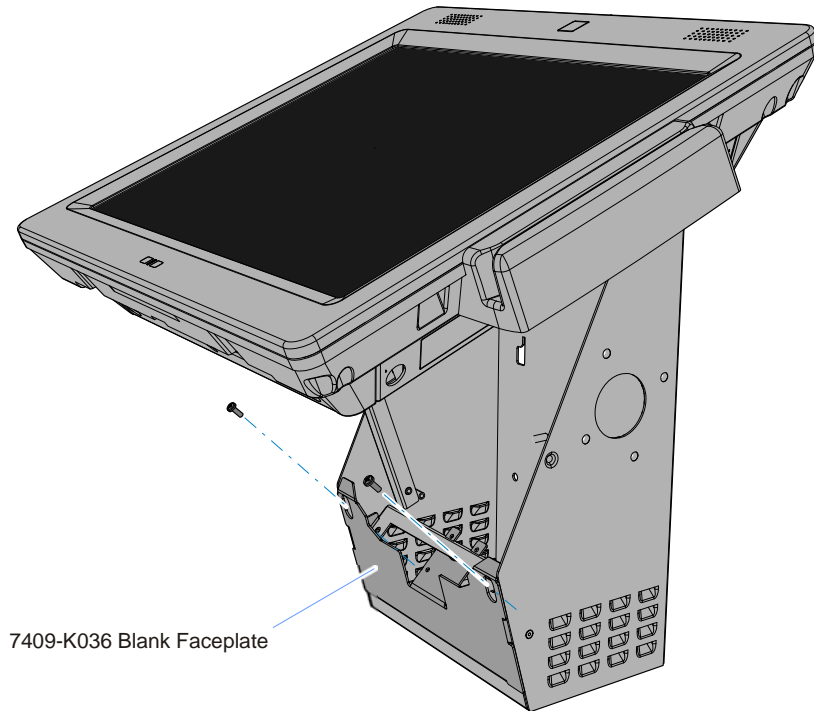
29539

3. Connect the new 1 meter Scanner Cable to the scanner.

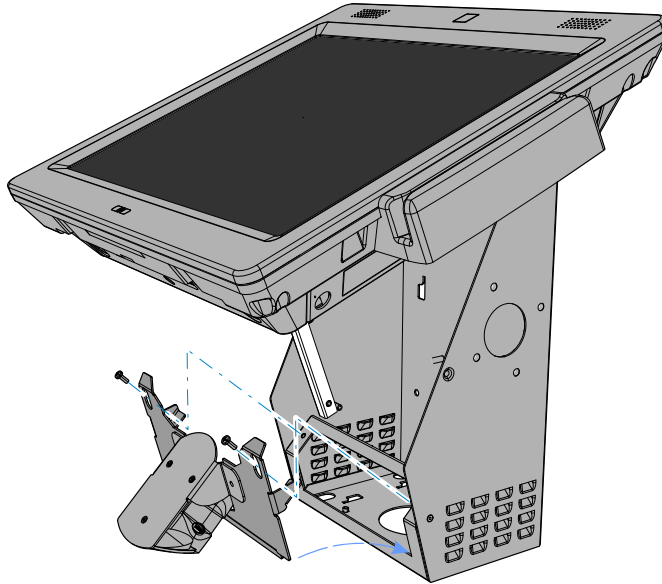


29540

4. **7409-K300 Only:** Remove the Blank Faceplate.
 - a. Remove the screws (2) that secure the Blank Faceplate.
 - b. Pivot the top of the Blank Faceplate out at the top as shown to remove it from the Fixed Angle Mount.

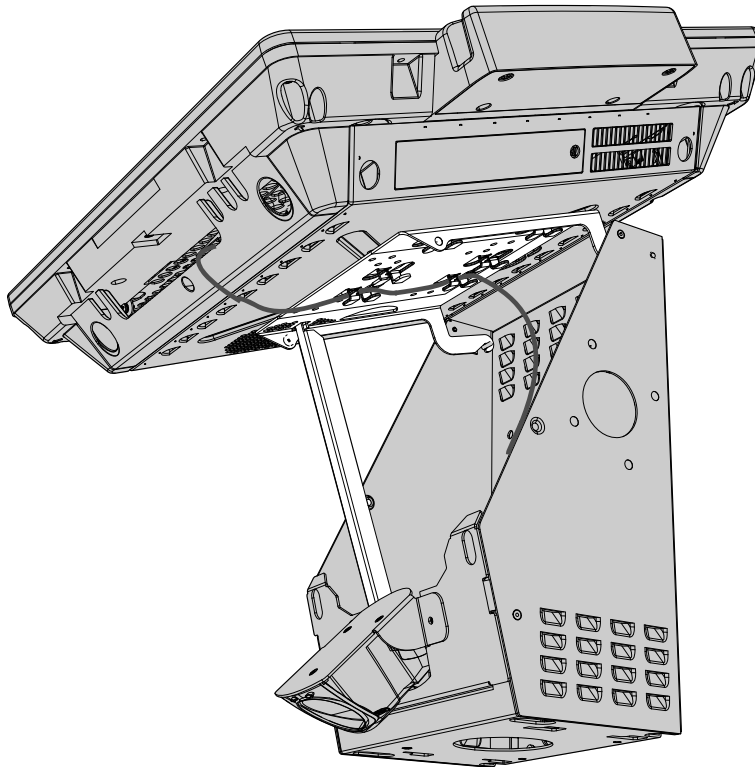


5. Hook the bottom of the new Scanner Faceplate onto the bottom edge of the opening on the Fixed Angle Mount and then secure the assembly with screws (2).



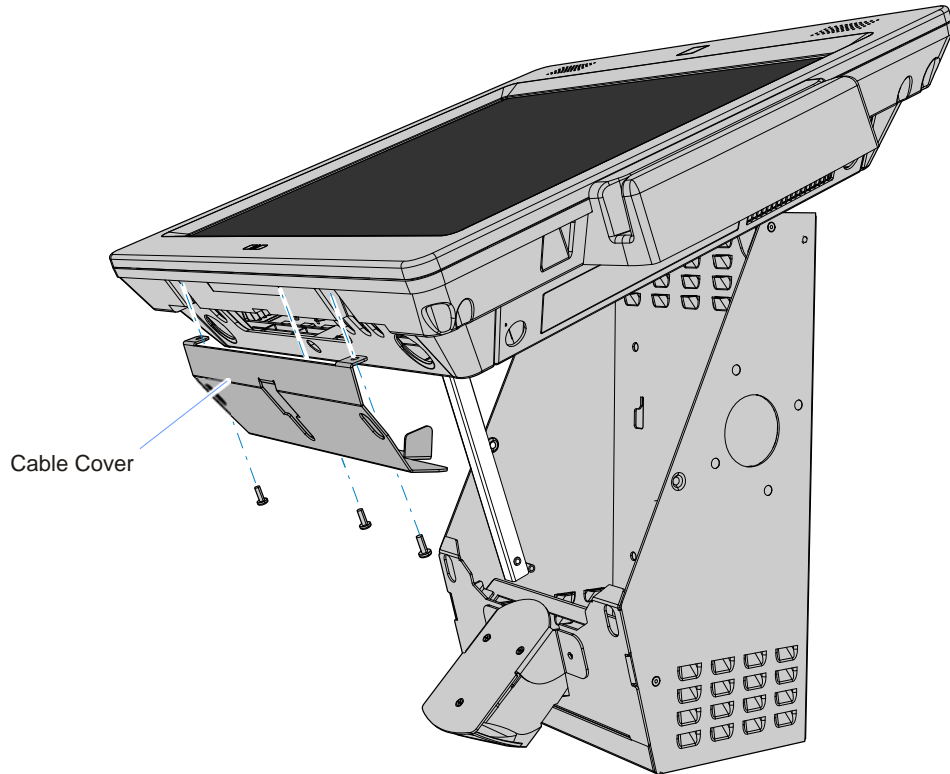
29546

6. Route the Scanner Cable through the Bracket Cable Guides on the back of the terminal and then connect it to a USB connector on the I/O Panel.



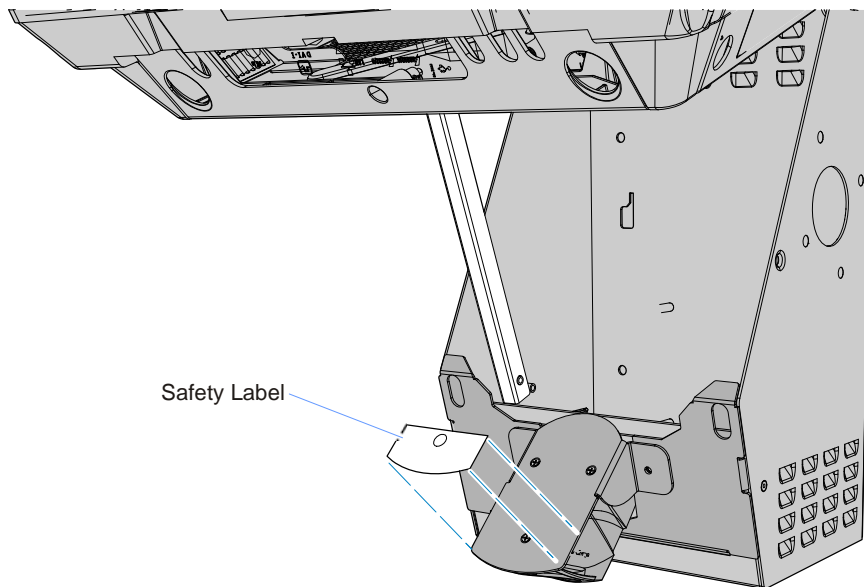
29547

7. Install the Cable Cover on the terminal (use the same three screw holes that were used to mount the previous scanner assembly).



29522

8. Adhere the Safety Label on the Scanner Mounting Bracket as shown.



29548

9. Close the Display and secure it with screws (2).