

7409-K314

Fixed Angle Mount Imaging Scanner

Kit Instructions



Issue A

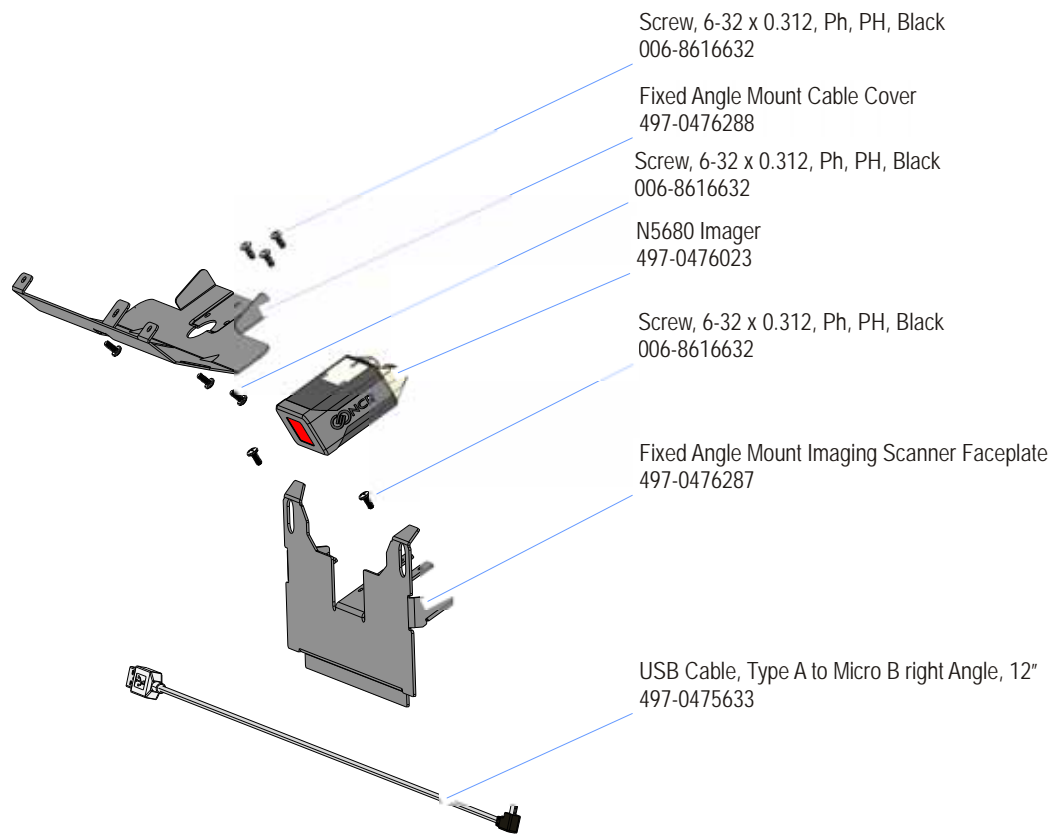
Revision Record

Issue	Date	Remarks
A	Sept 2012	First Issue

Introduction

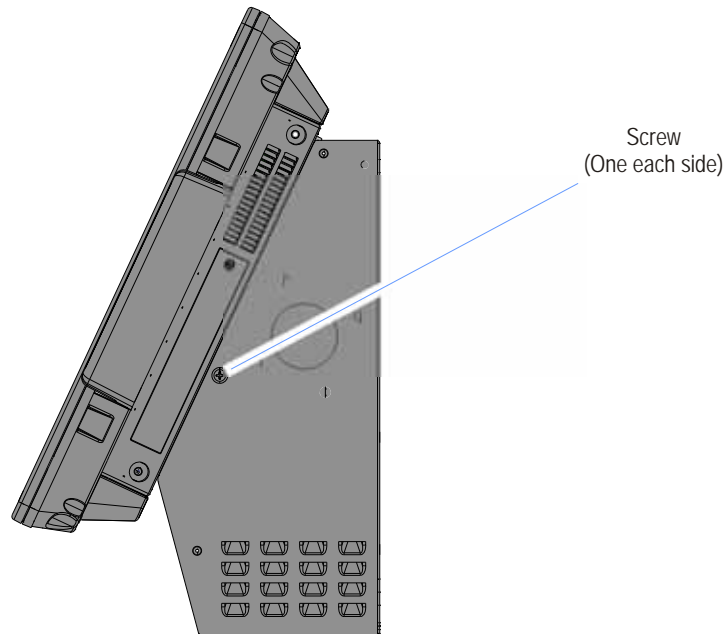
This kit provides a Faceplate Cable Cover with an N5680 Imaging Scanner for the NCR SelfServ 60 (7409). The assembly installs on the front of the 7409-K035 Fixed Angle Mount.

Components



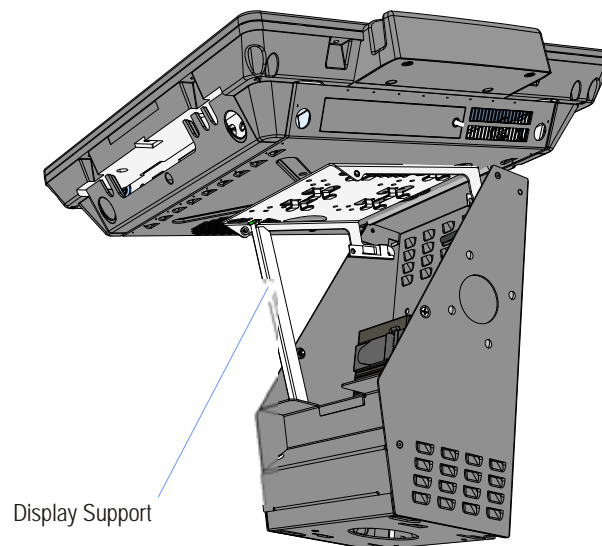
Installation Procedures

1. Remove the screws (2) in the sides of the Fixed Angle Mount.



31462

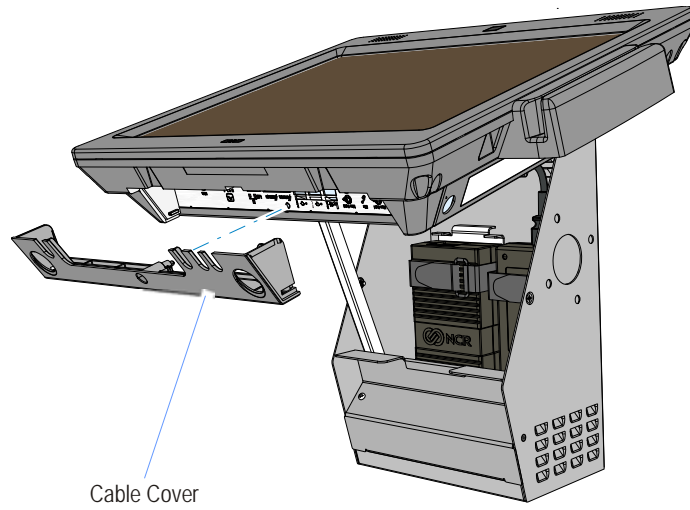
2. Rest the bottom of the display on the Display Support.



31469

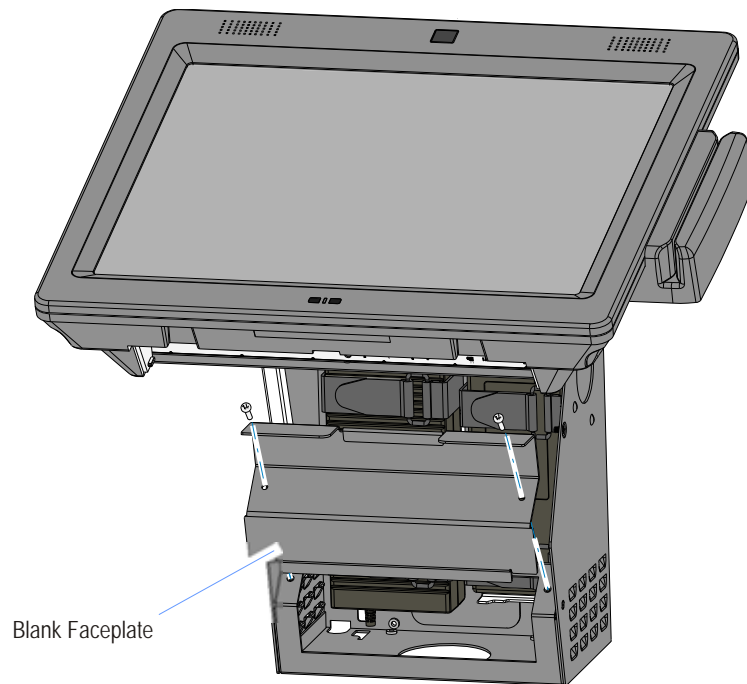
Note: Place the Display Support behind the extension on then Display Hinge Bracket.

3. Remove the terminal Cable Cover (1 captive screw).



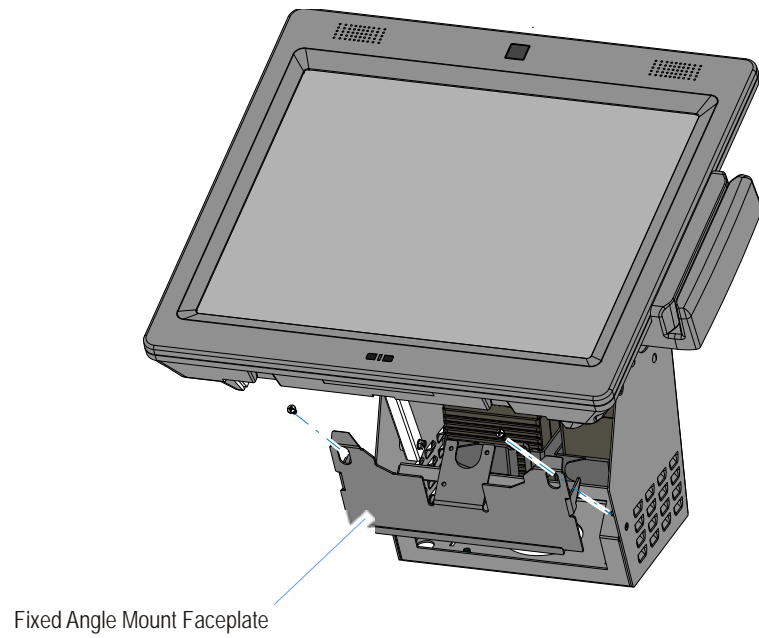
31468

4. Remove the Blank Faceplate from the Fixed Angle Mount (2 screws).

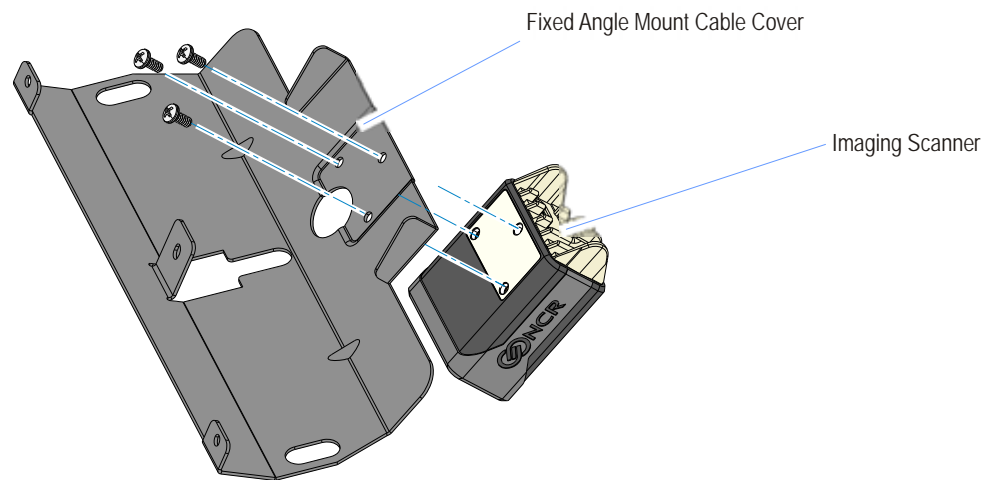


31464

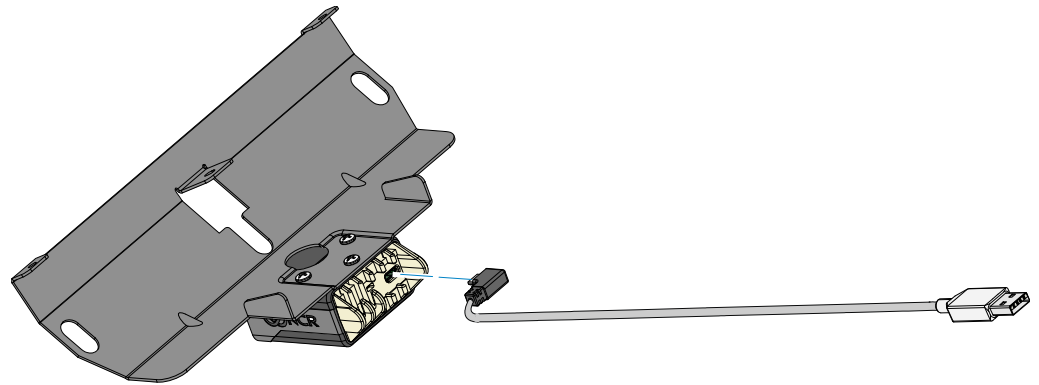
5. Install the Fixed Angle Mount Faceplate on the front of the Fixed Angle Mount (2 screws).



6. Install the Imaging Scanner on the Fixed Angle Mount Cable Cover (3 screws).

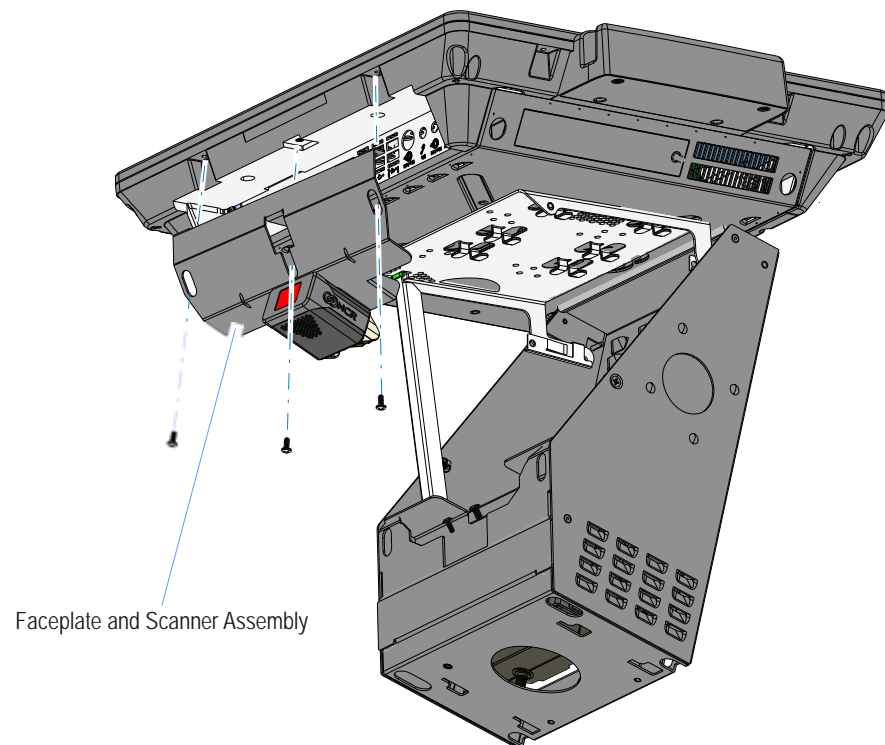


7. Connect the USB Cable to the scanner.



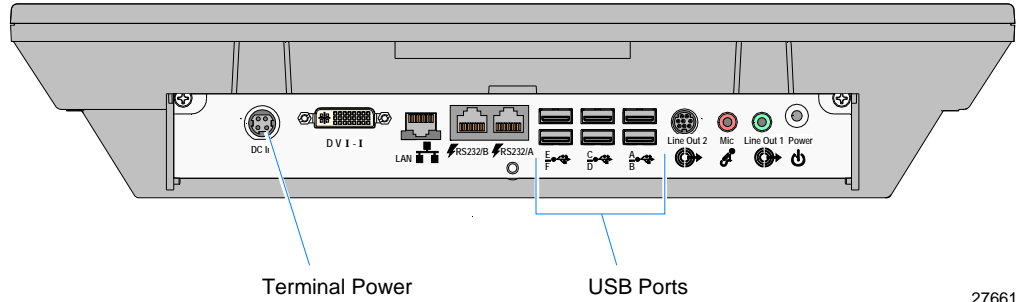
31471

8. Install the Faceplate and Scanner Assembly on the terminal (3 screws).



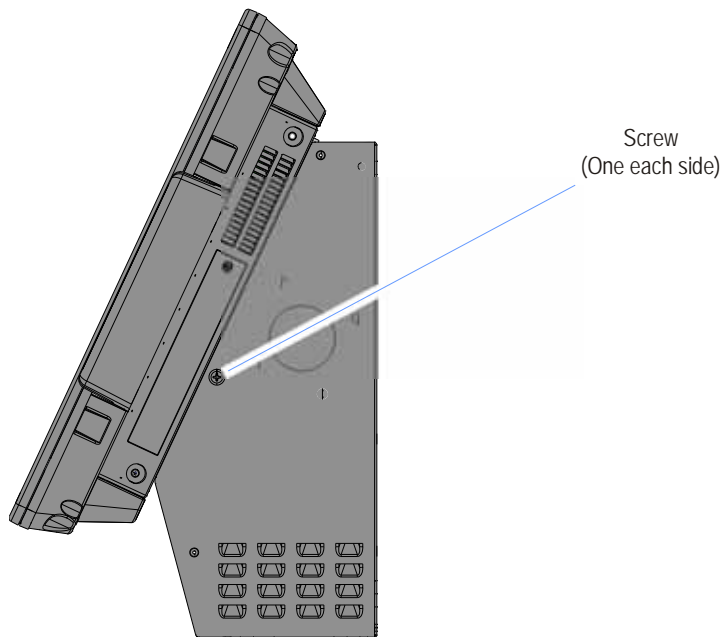
31472

9. Connect the USB Cable to the terminal I/O Panel.



27661

10. Lower the Display back to the operating position on the Fixed Angle Mount and secure it with screws (2).



31462