

7409-K360

# **Fixed Angle Mount MSR and Bar Code Scanner**

Kit Instructions



Issue A

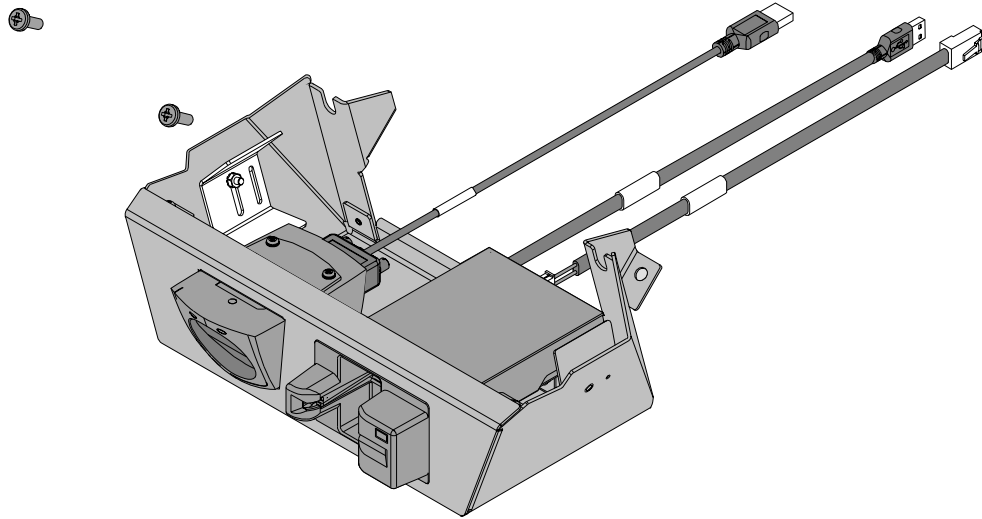
---

## Revision Record

Issue	Date	Remarks
A	Oct 2009	First issue

## Introduction

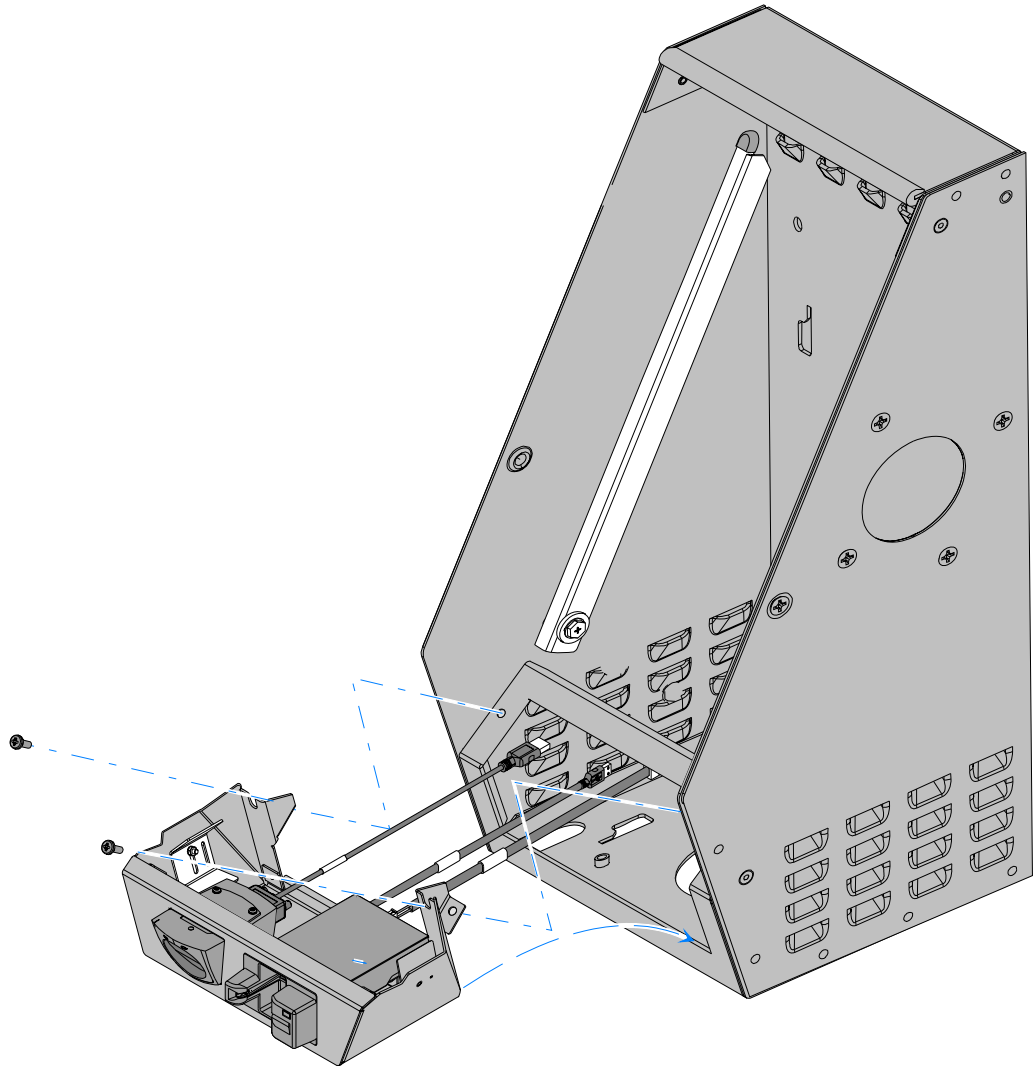
This kit provides a Magnetic Stripe Reader and Bar Code Reader for the NCR EasyPoint Advantage (7404) and NCR SelfServ 60 (7409). The assembly installs on the front of the 7409-K035 Fixed Angle Mount.



27961

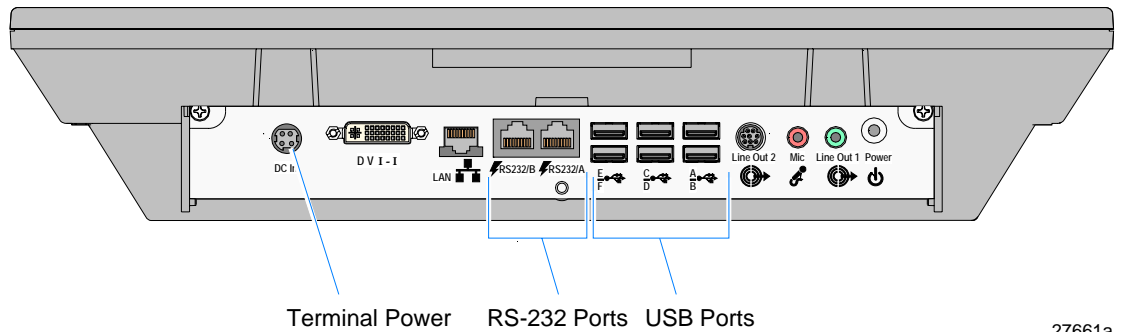
## Installation Procedures

1. Hook the bottom of the bracket onto the bottom edge of the opening on the front of the Fixed Angle Mount.
2. Secure the bracket with screws (2).



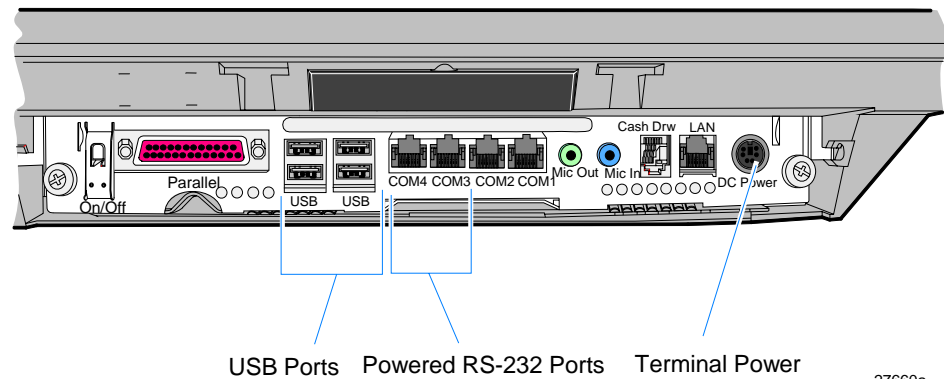
3. Remove the Cable Cover from the terminal and connect the cables to the I/O Panel.
  - Connect the Scanner Cable to a USB connector.
  - Connect the MSR Data Cable to a USB connector.
  - Connect the MSR Power Cable to a powered RS-232 connector. Which ever RS-232 port is used it must be set to 12V. See *Jumper Settings* section.

#### 7409 Connections



27661a

#### 7404 Connections



27660a

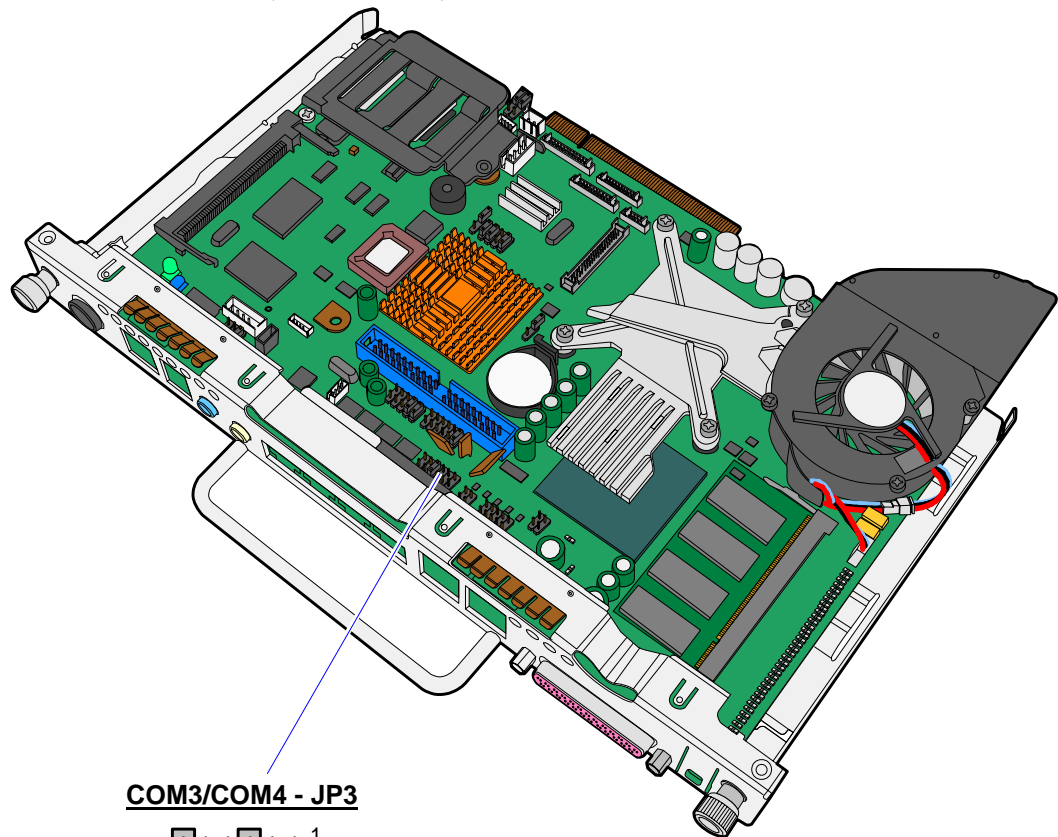
4. Replace the Cable Cover.
5. Close the Display and secure it with screws (2).

## Jumper Settings

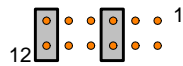
### 7404

The following diagrams illustrate the jumper settings for the 7404 Motherboard. Default settings are shown.

#### *Powered RS-232 Ports (COM3 - COM4)*



#### **COM3/COM4 - JP3**



Pin 1 - 2	COM3 Ring Indicator
Pin 3 - 4	COM3 +5V
Pin 5 - 6	COM3 +12V
Pin 7 - 8	COM4 Ring Indicator
Pin 9 - 10	COM4 +5V
Pin 11 - 12	COM4 +12V

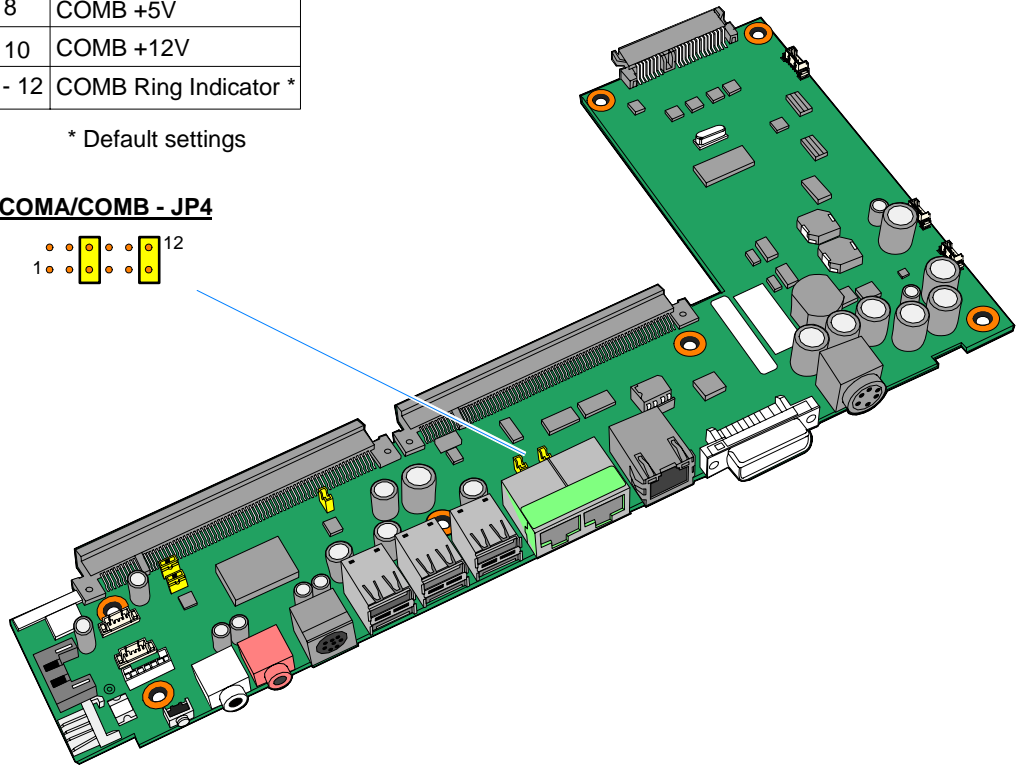
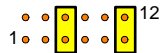
## 7409

The two serial ports on the 7409 I/O Board have jumper options for either Ring Indicator (RI), fused +12 V, or fused +5 V. When set to powered each port is capable of supporting up to 1.5 A (Max.) and is protected with self-healing poly-fuse. The default setting is *Ring Indicator*. The power is selectable by JP4.

Pin 1 - 2	COMA +5V
Pin 3 - 4	COMA +12V
Pin 5 - 6	COMA Ring Indicator *
Pin 7 - 8	COMB +5V
Pin 9 - 10	COMB +12V
Pin 11 - 12	COMB Ring Indicator *

\* Default settings

**COMA/COMB - JP4**



## 7409 Restrictions for USB Devices if Using S3 Standby

If S3 Standby state is desired, there are certain restrictions with connecting the MSR to a 7409 terminal.

### Restrictions on 7409 USB Ports:

If a Restricted Device is plugged into Port:	An S3 Wake Device can NOT be plugged into Port:
A	B
B	A
C	D
D	C
E	F
F	E

**Note:** The restrictions only apply if it is desired to put the unit in S3 standby state.

### USB Devices Capable of Waking the 7409 from an S3 State

- USB Keyboard
- USB Mouse

### Reasons for the Restrictions

- USB ports share UHCI host controllers in the Southbridge.
- All external USB ports on the 7409 are powered by 5VSB and kept ON during S3 Standby.
- Some USB peripherals are powered by the RS-232 port (either 5V or 12V).

### Ways Around the Issue

- Adhere to the Restriction Guidelines provided above.
- In Windows, disable the S3 Wake Device's ability to wake the unit from Standby.
- Power the Restricted Devices from an external power source instead of the RS-232 ports.