

7409-K570

Generic Pinpad Mount

Kit Instructions



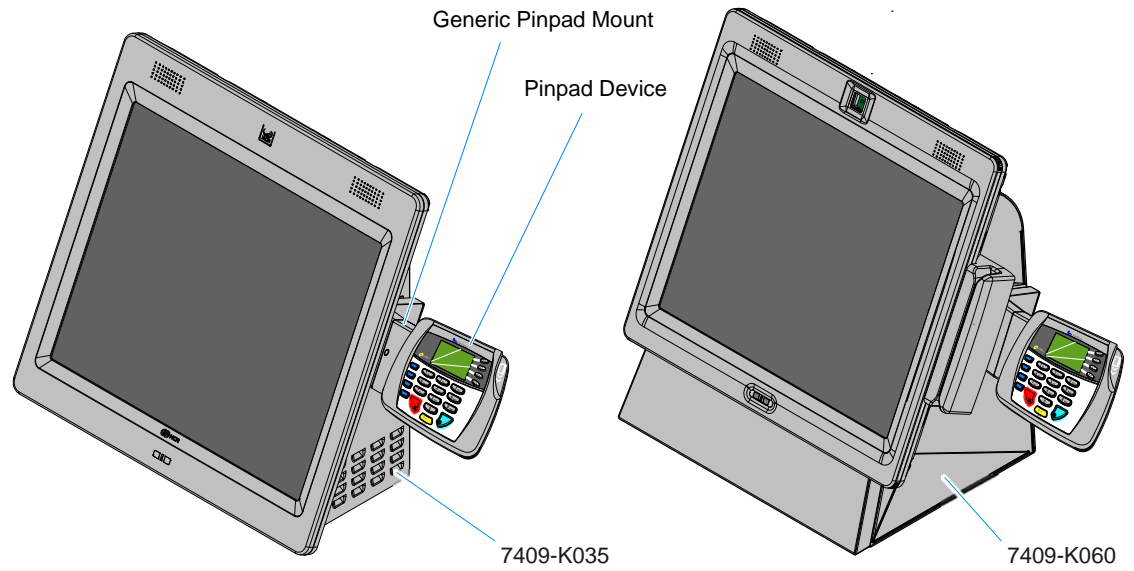
Issue B

Revision Record

Issue	Date	Remarks
A	Jun 2009	First issue
B	Mar 2011	Added 7409-K060 support

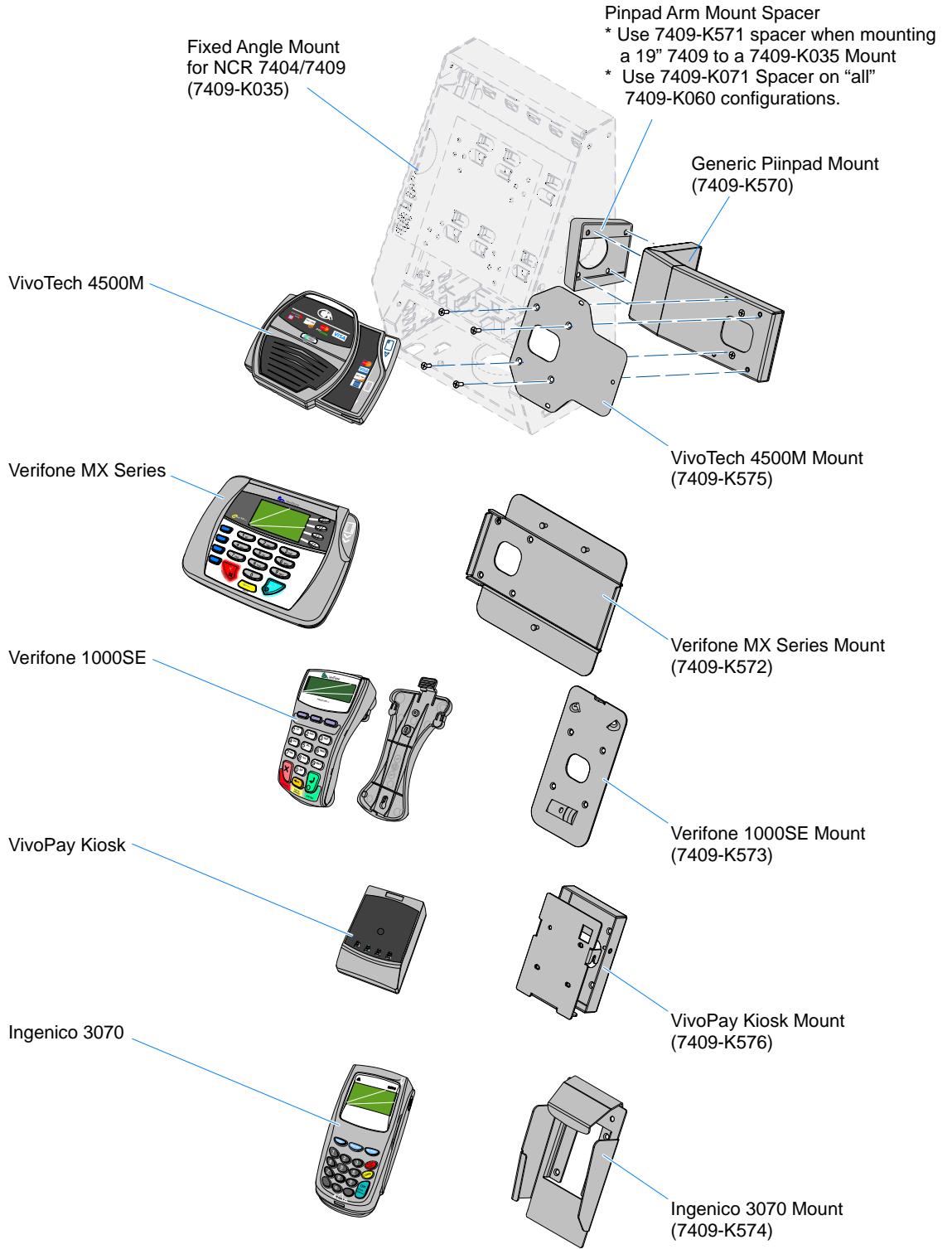
Introduction

This kit provides an arm that is used to mount various NCR pinpad devices on the side of a Fixed Angle Mount (7409-K035) or the Printer Pedestal Upper Cabinet (7409-K060).



The mount is used in conjunction with device specific mounting bracket kits to install the various pinpads.

Note: The components are identical for both mounts except for the Pinpad Arm Mount Spacer.

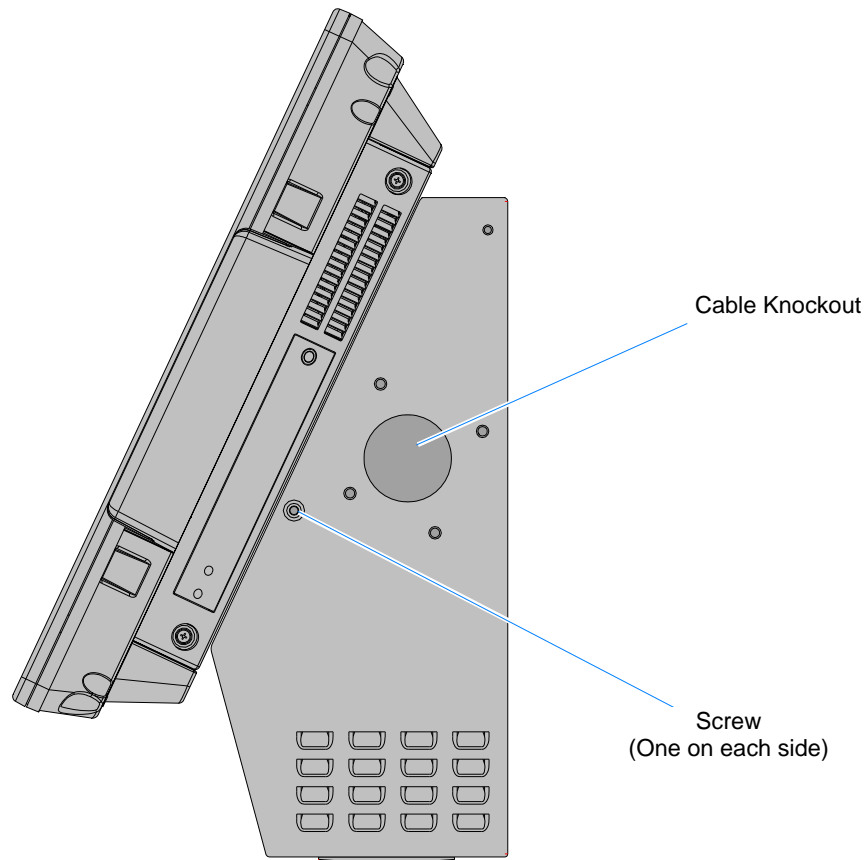


Installation Procedures

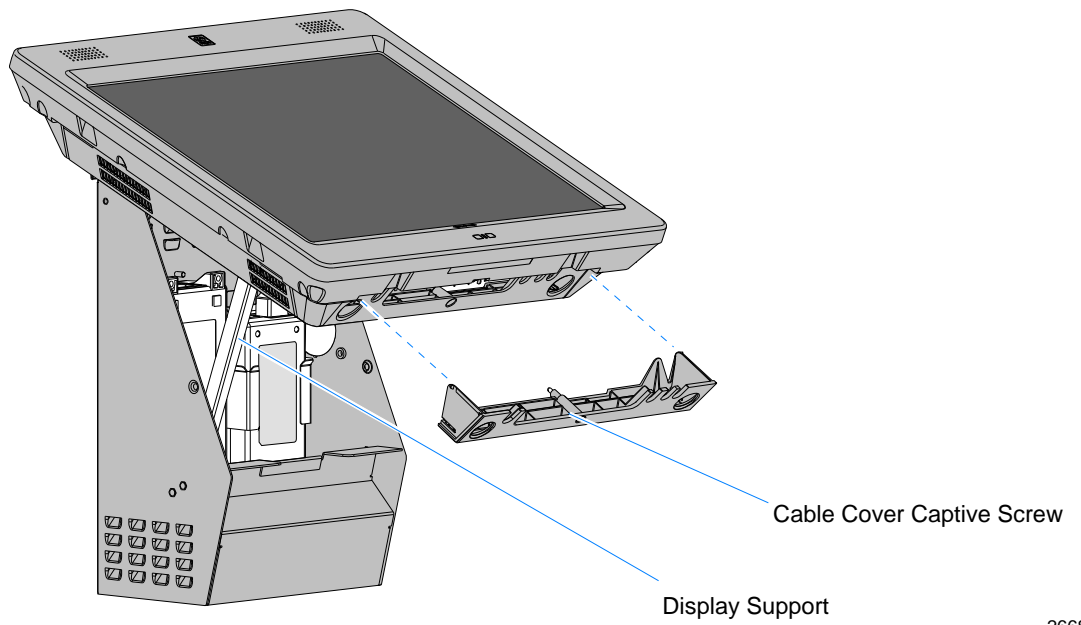
Warning: Disconnect the AC power cord before disassembling the Terminal.

Note: The 7409-K035 Fixed Angle Mount is shown in this procedure. The components are installed in a similar manner for the 7409-K060. The primary difference is that the mount requires a different Pinpad Arm Mount Spacer.

1. Remove the cable knockout from the side of the Fixed Angle Mount. This is accomplished by tapping the edge of the knockout with a hammer and then twisting it out with pliers.
2. Remove the screws (2) on the sides of the Fixed Angle Mount.



3. Raise the bottom of the display and rest it on the Display Support.



4. Loosen the captive screw that secures the Cable Cover.
5. Remove the Cable Cover.

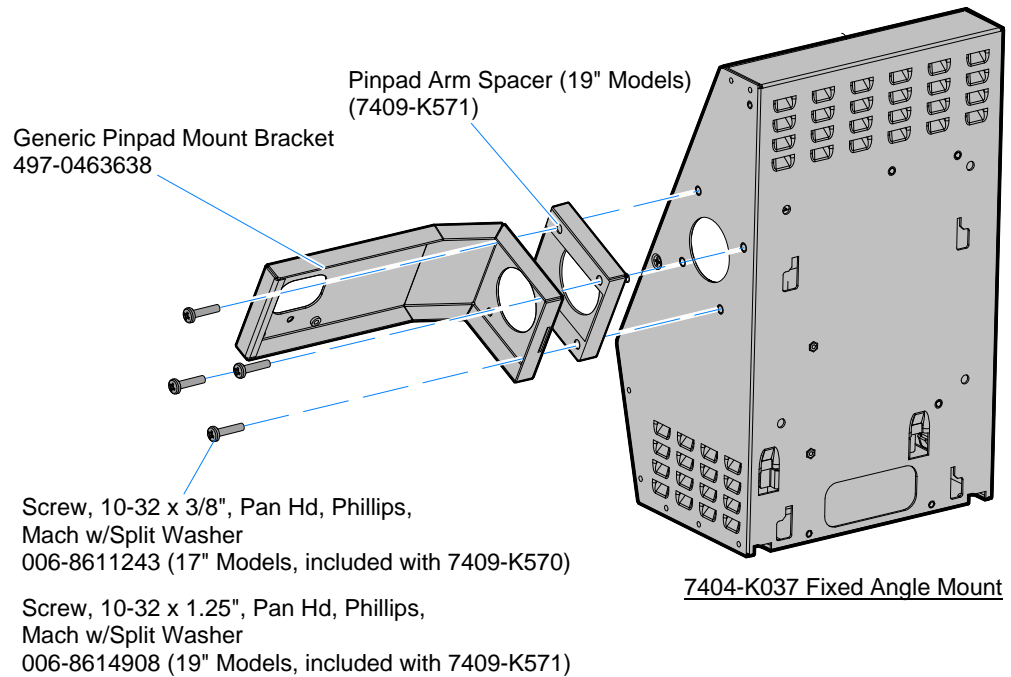
Note: The terminal is shown removed from this point forward for clarity.

6. Install the Generic Pinpad Mount Bracket on the side of the mount/cabinet.

7409-K035 Fixed Angle Mount

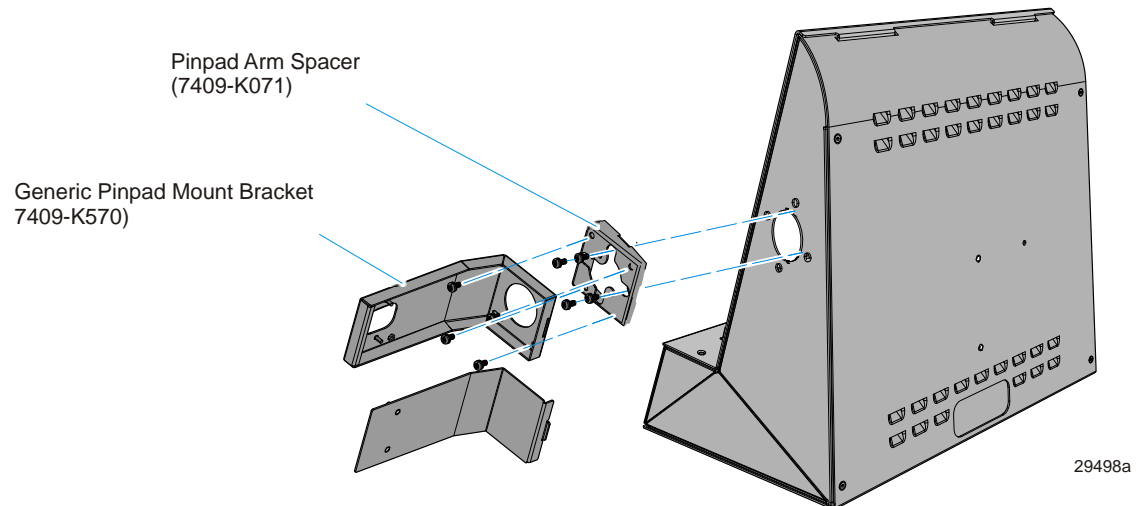
Secure the bracket and spacer with screws (4).

Note: Also install the Pinpad Arm Spacer if your terminal is a 19" model. The spacer is not required with 17" models. Use the proper length screws. The longer screws are supplied with the spacer kit.

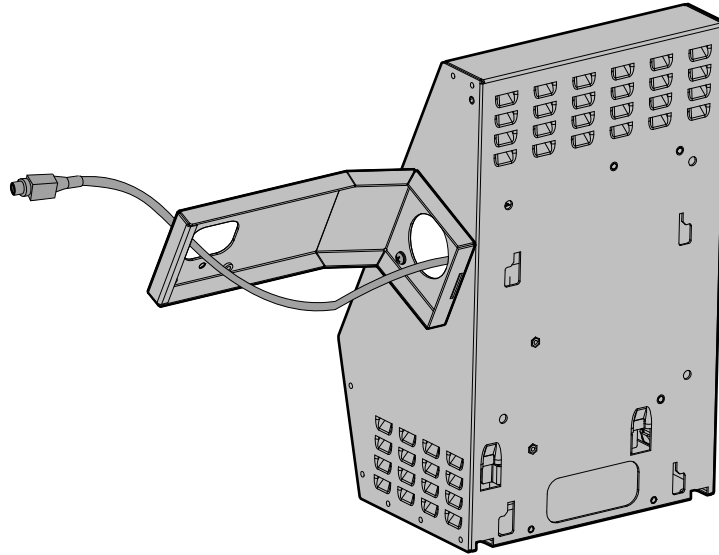


7409-K060 Printer Pedestal Upper Cabinet

Install the Pinpad Arm Spacer to the cabinet (4 screws) and then install the Generic Pinpad Mount Bracket to the spacer (4 screws).

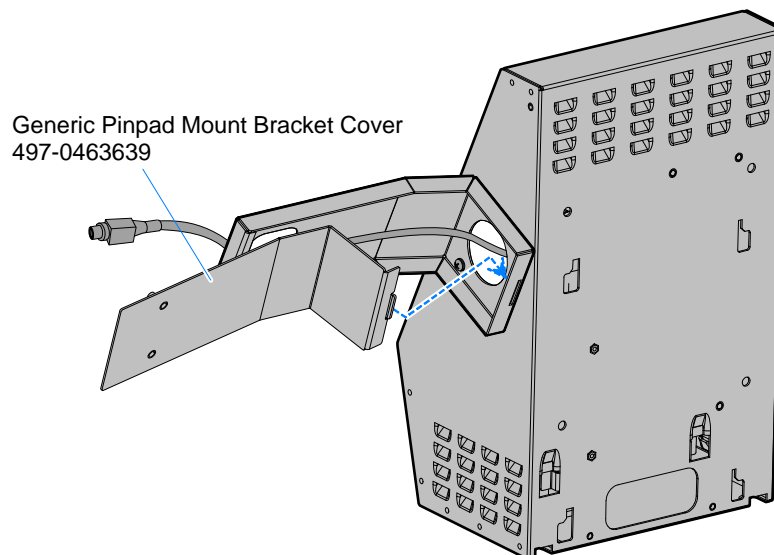


7. Route the device cable through the openings in the bracket and into the Fixed Angle Mount.



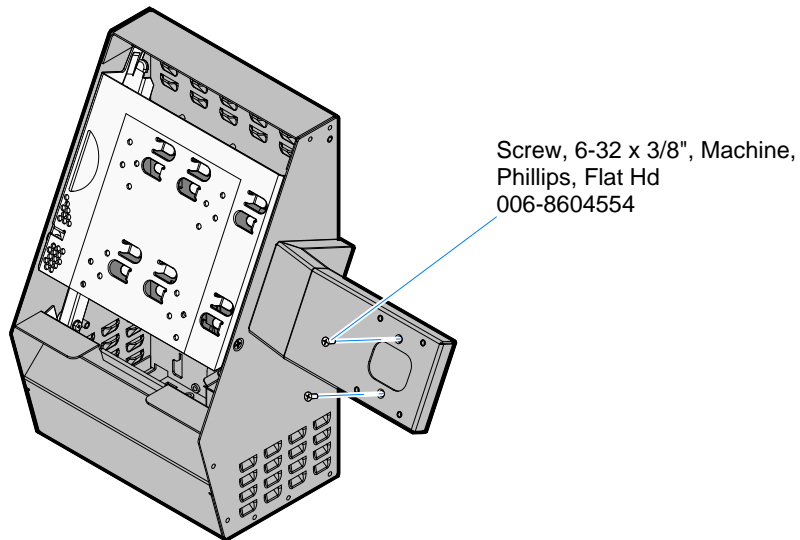
27663

8. Install the Generic Pinpad Mount Bracket Cover. Insert the extension on the end of the cover into the slot on the bracket and then pivot it to the closed position.



27681

- Secure the Generic Pinpad Mount Bracket Cover with screws (2), enclosing the cable.

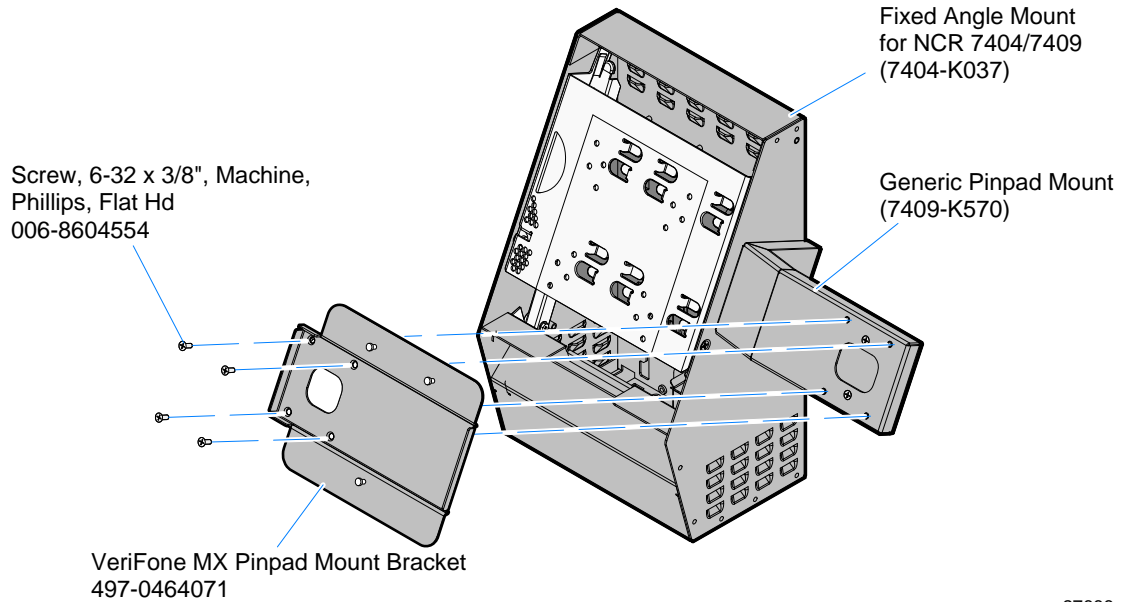


27664

- Install the Pinpad device bracket to the Generic Pinpad Mount Bracket. See the following sections for your specific pinpad device.

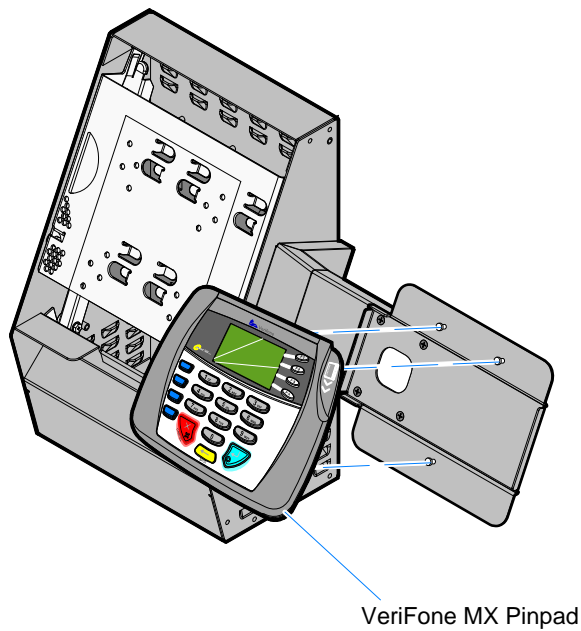
Installing a VeriFone MX Series (7409-K572)

1. Install the VeriFone Pinpad Mount Bracket onto the Generic Pinpad Mount (4 screws).



27666

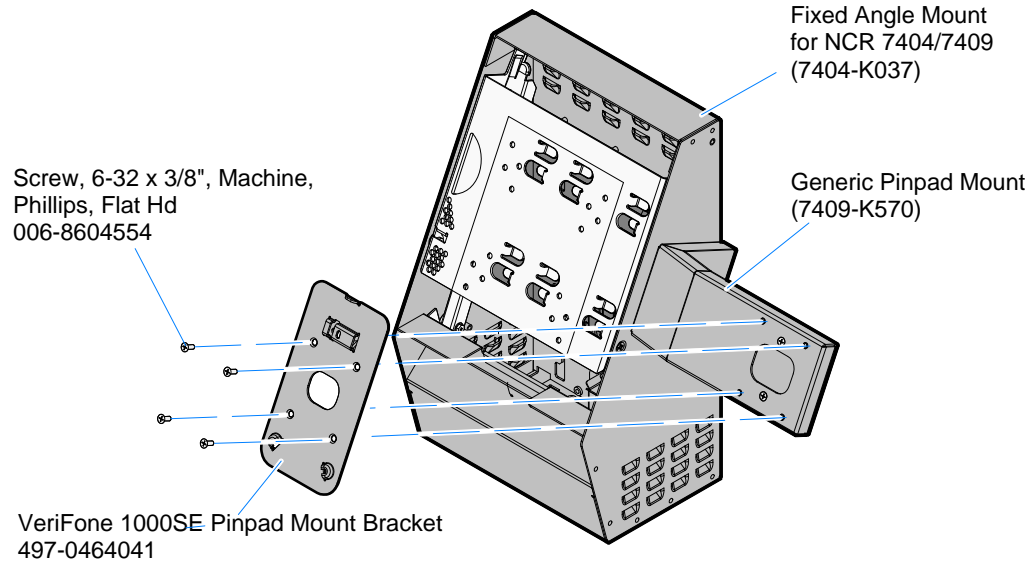
2. Connect the pinpad cable to the VeriFone device.
3. Install the VeriFone device onto the bracket (3 mushroom studs).



27695

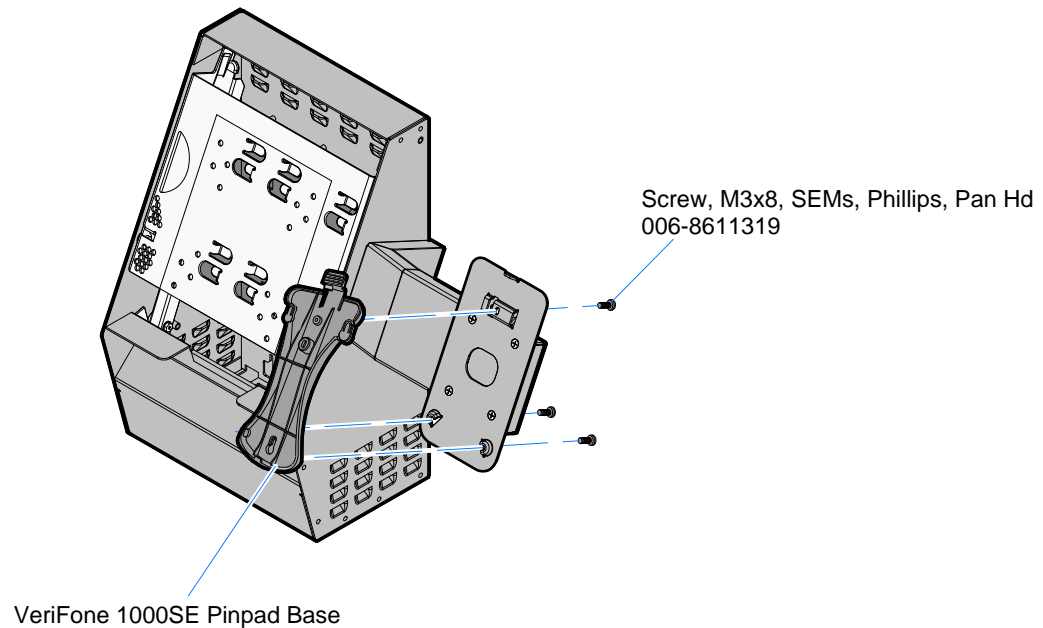
Installing a VeriFone 1000SE (7409-K573)

1. Install the VeriFone 1000SE Pinpad Mount Bracket onto the Generic Pinpad Mount (4 screws).



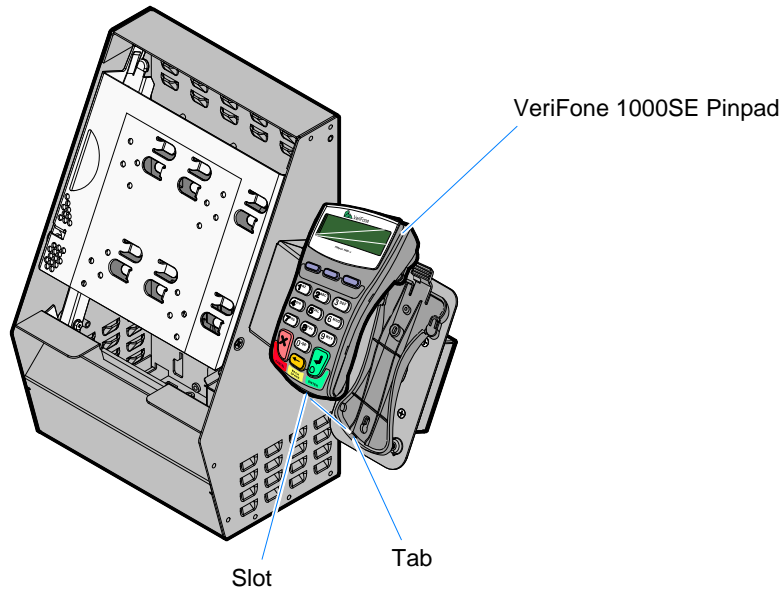
27667

2. Install the VeriFone 1000SE Base onto the VeriFone Pinpad Mount Bracket (3 screws).



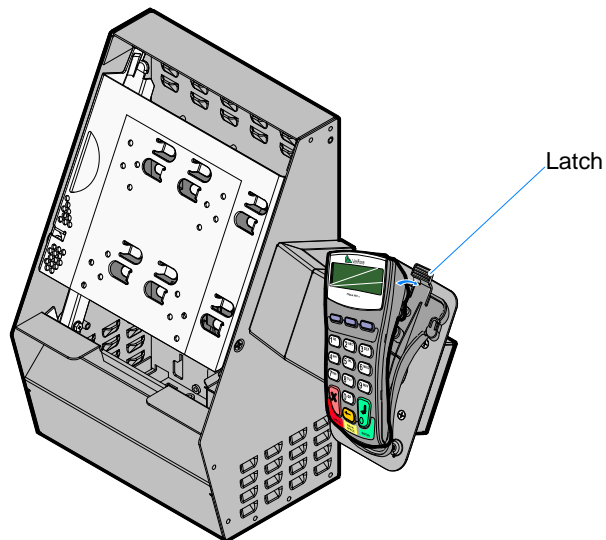
27667a

3. Connect the pinpad cable to the VeriFone SE1000 Pinpad.
4. Install the VeriFone device onto the VeriFone Base.
 - a. Insert the tab on the bottom of the base into the slot in the bottom of the VeriFone device.



27667b

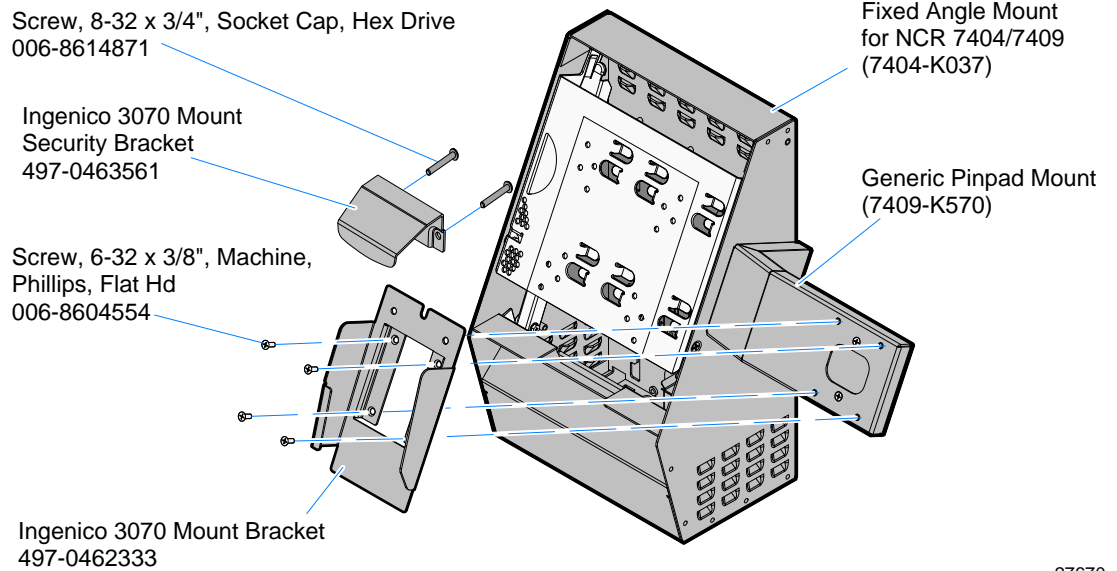
- b. Pivot the top of the VeriFone device until it locks into position under the latch.



27667c

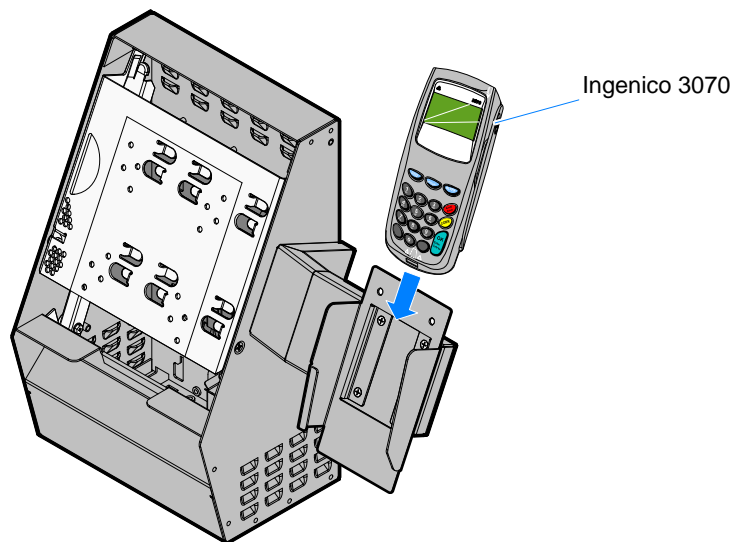
Installing an Ingenico 3070 (7409-K574)

1. Install the Ingenico 3070 Mount Bracket onto the Generic Pinpad Mount (4 screws).



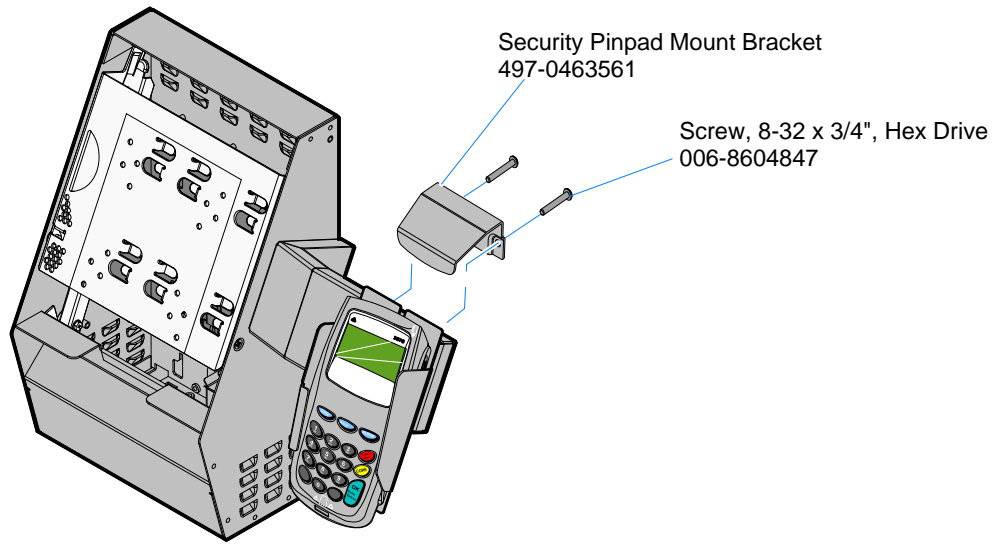
27670

2. Connect the cable to the Ingenico device.
3. Insert the Ingenico device into the Ingenico 3070 Mount Bracket.



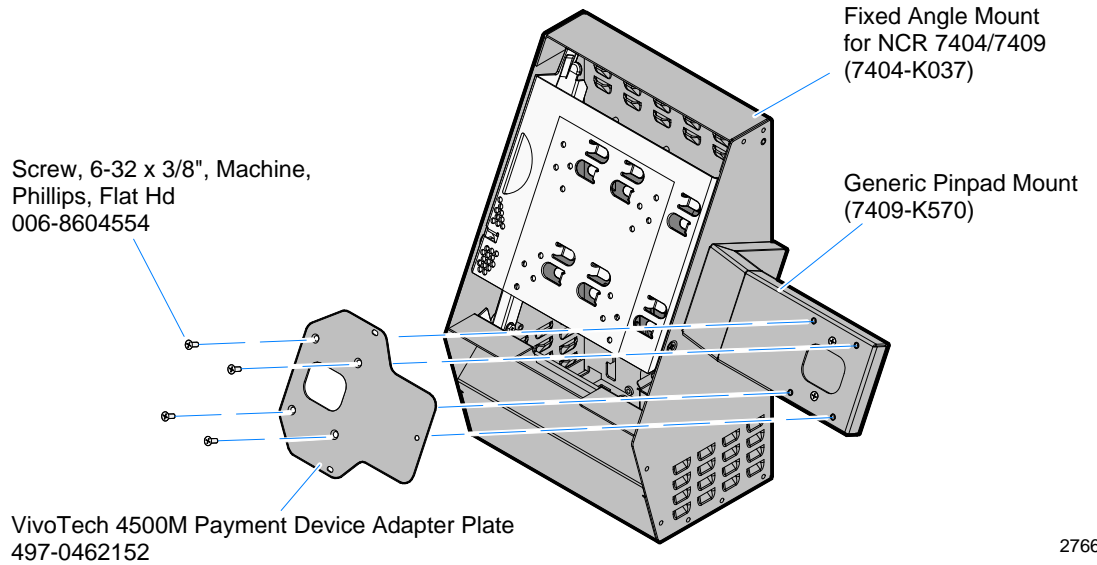
27670a

- Secure the device with the Security Pinpad Mount Bracket (2 screws).

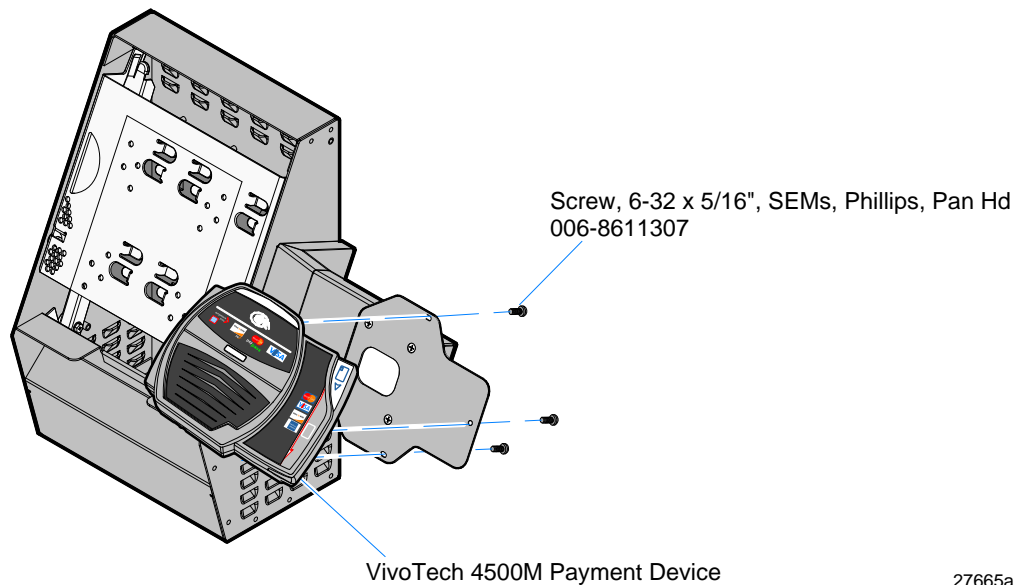


Installing a VivoTech 4500M (7409-K575)

1. Install the VivoTech 4500M Payment Device Adapter Plate onto the Generic Pinpad Mount (4 screws).

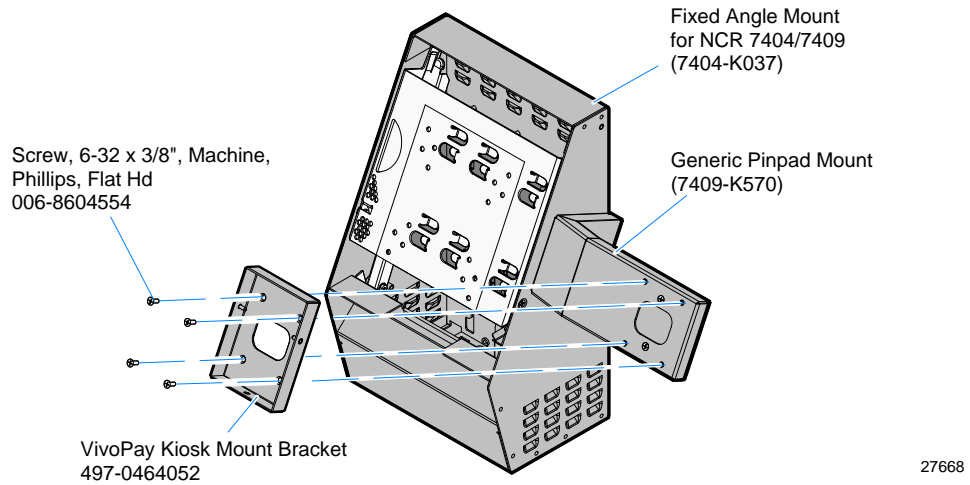


2. Connect the pinpad cable to the VivoTech device.
3. Install the VivoTech device onto the bracket (3 screws).

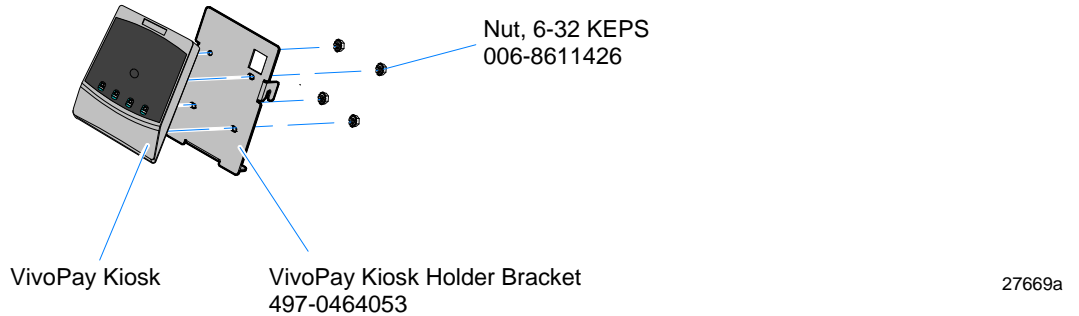


Installing a VivoPay Kiosk (7409-K576)

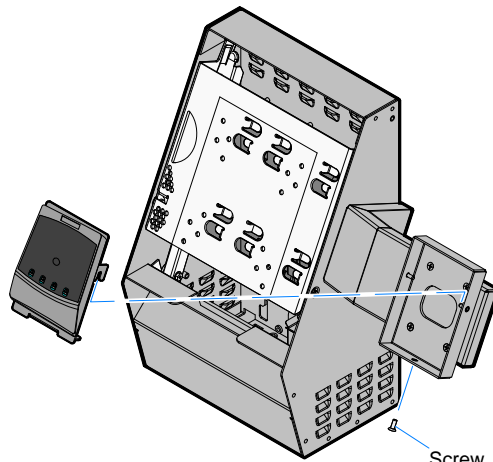
1. Install the VivoPay Kiosk Mount Bracket onto the Generic Pinpad Mount (4 screws).



2. Connect the cable to the VivoPay Kiosk.
3. Secure the VivoPay Kiosk Holder Bracket to the back of the VivoPay device (4-nuts).



4. Secure the VivoPay Kiosk/Holder Bracket Assembly to the VivoPay Kiosk Mount Bracket (two hooks and a screw from the bottom).



Screw, 6-32 x 3/8", Machine,
Phillips, Flat Hd
006-8604554

27669