

7409-K572

# VeriFone MX Series Pinpad Mount

Kit Instructions



Issue A

---

## Revision Record

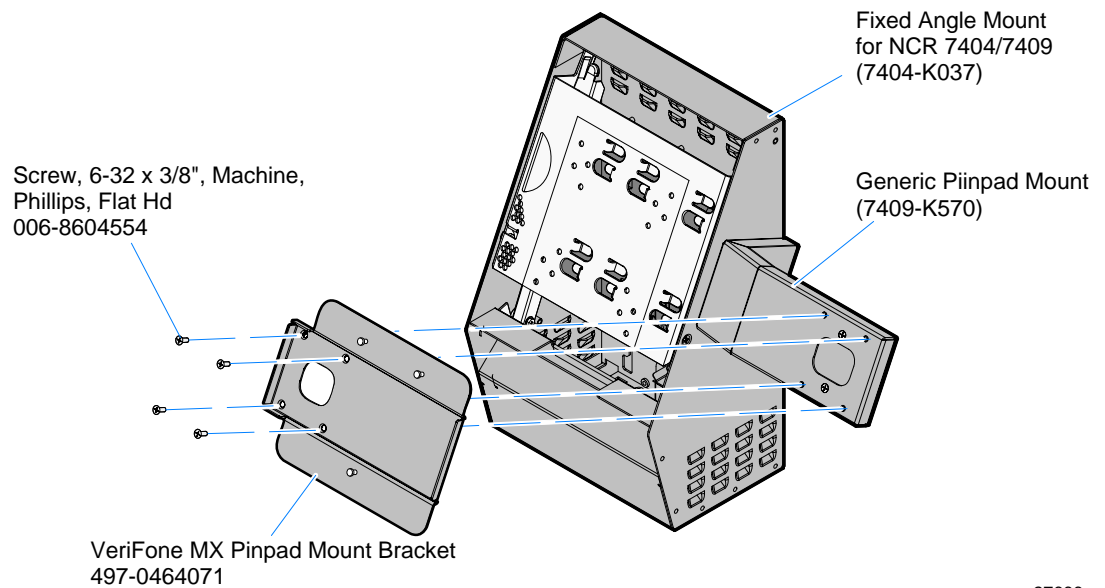
Issue	Date	Remarks
A	Jun 2009	First issue

## Introduction

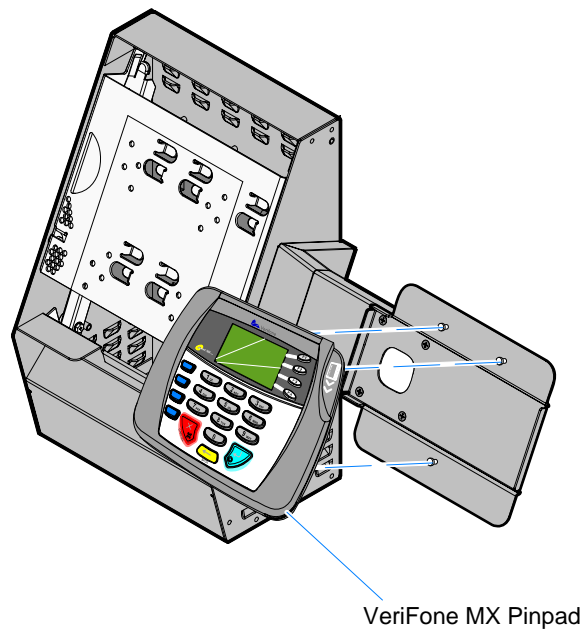
This kit provides a mounting bracket that is used to install an NCR VeriFone MX Series pinpad on an NCR 7404/7409 Kiosk which is configured with a Fixed Angle Mount (7404-K037).

This kit is used in conjunction with the Generic Pinpad Mount (7409-K570) to install the pinpad device on the side of the Fixed Angle Mount.

See the *7409-K570 Kit Instructions* to complete this installation.



27666



27695