

7409-K598

# **Pedestal Sign Rails**

Kit Instructions



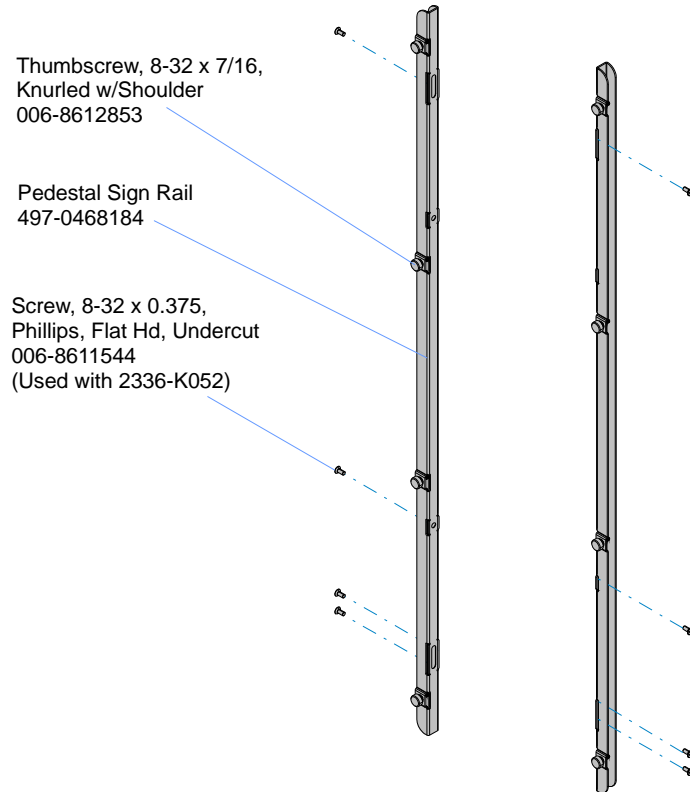
Issue A

## Revision Record

Issue	Date	Remarks
A	Aug 2010	First issue

## Introduction

This kit provides rails to hold an information sign on the either side of the 7409-K065 or 7409-K066 floor pedestals.

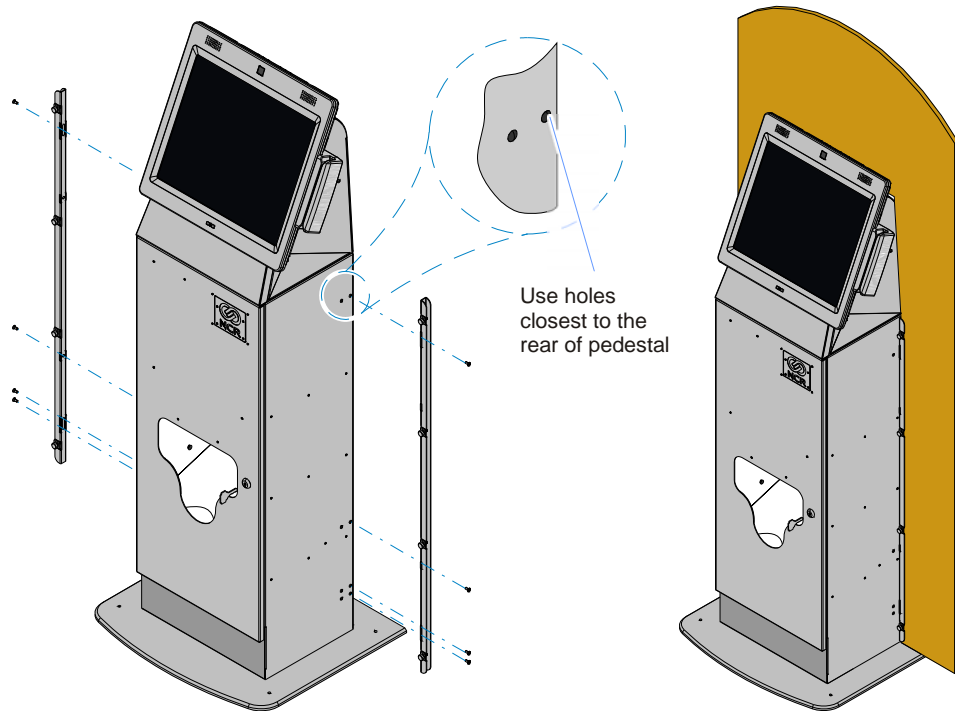


## Installation Procedures

1. Install a rail on each side of the pedestal with screws (4 each).

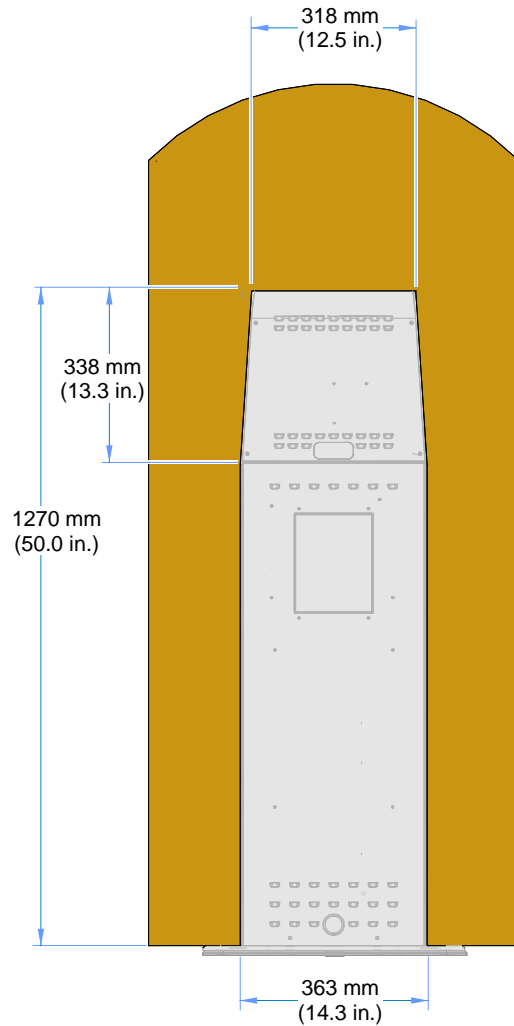
**Note:** There are two sets of screw holes to mount the rails. Use the holes nearest the back of the pedestal. The others are used on earlier models.

2. Insert the sign into the rails and secure it with the thumbscrews.

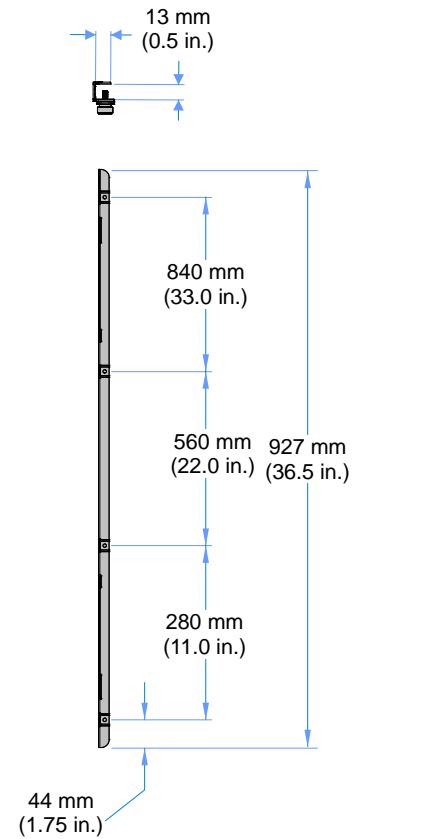


## Dimensions

Use the dimensions below to create the full wrap-around sign. The sign can have a maximum thickness of 11 mm (0.45 in.). The thumbscrews that secure the sign are spaced 280 mm (11 in.) apart.



Sign Inside Dimensions  
(Rear View)



Rail Dimensions/Thumbscrew Spacing