

# KIT INSTRUCTIONS

## Display Adjuster

7649-K091  
Issue A



---

The product described in this book is a licensed product of NCR Corporation.

NCR is a registered trademark of NCR Corporation. NCR RealPOS is a trademark of NCR Corporation in the United States and/or other countries. Other product names mentioned in this publication may be trademarks or registered trademarks of their respective companies and are hereby acknowledged.

The terms HDMI and HDMI High-Definition Multimedia Interface, and the HDMI Logo are trademarks or registered trademarks of HDMI Licensing LLC in the United States and other countries.

Where creation of derivative works, modifications or copies of this NCR copyrighted documentation is permitted under the terms and conditions of an agreement you have with NCR, NCR's copyright notice must be included.

It is the policy of NCR Corporation (NCR) to improve products as new technology, components, software, and firmware become available. NCR, therefore, reserves the right to change specifications without prior notice.

All features, functions, and operations described herein may not be marketed by NCR in all parts of the world. In some instances, photographs are of equipment prototypes. Therefore, before using this document, consult with your NCR representative or NCR office for information that is applicable and current.

To maintain the quality of our publications, we need your comments on the accuracy, clarity, organization, and value of this book.

Address correspondence to:

Manager, Information Solutions Group  
NCR Corporation  
Discovery Centre, 3 Fulton Road  
Dundee, DD2 4SW  
Scotland

Internet Address:

<http://www.info.ncr.com/Feedback>

Copyright © 2014

By NCR Corporation

Duluth, GA U.S.A.

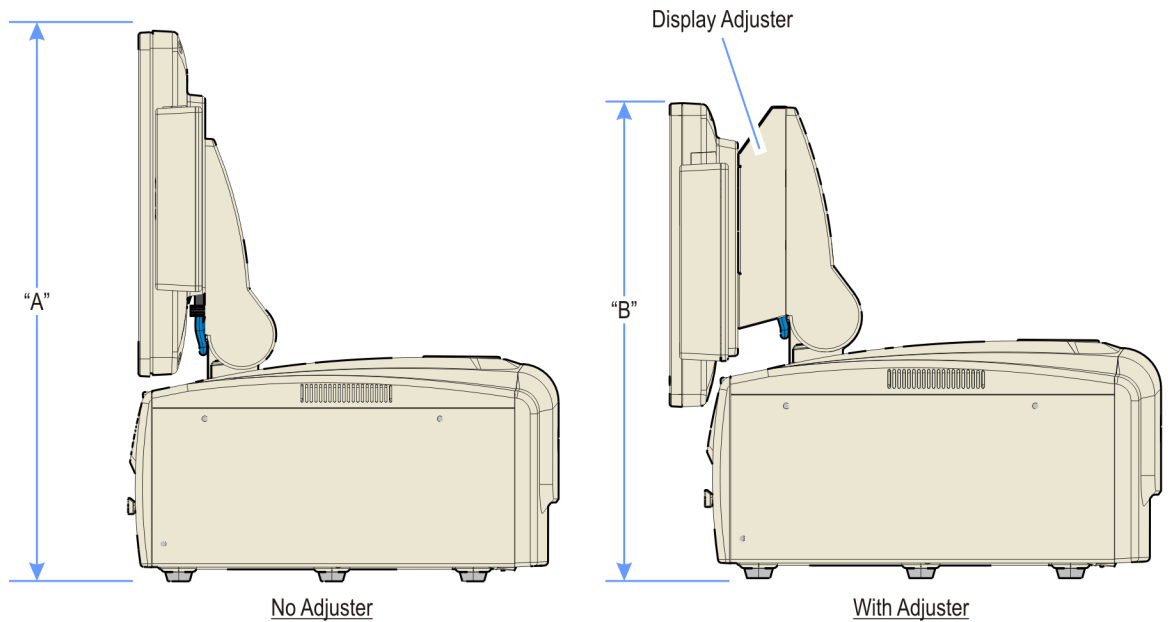
All Rights Reserved

## Revision Record

Issue	Date	Remarks
A	Dec 2014	First Issue

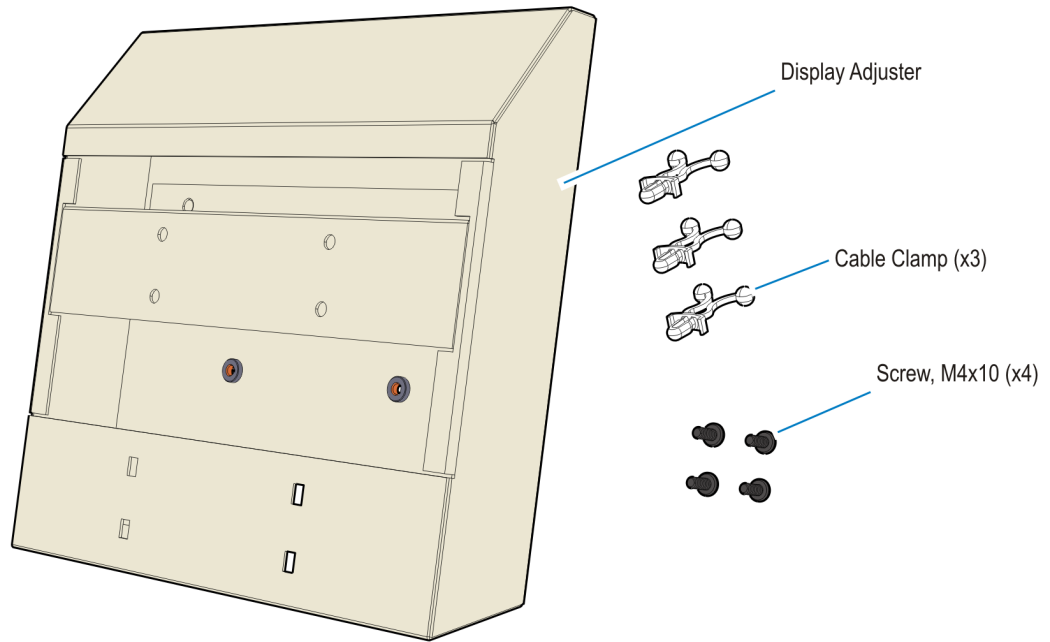
## Introduction

The Display Adjuster is used to lower the Operator Display to accommodate smaller installation requirements.



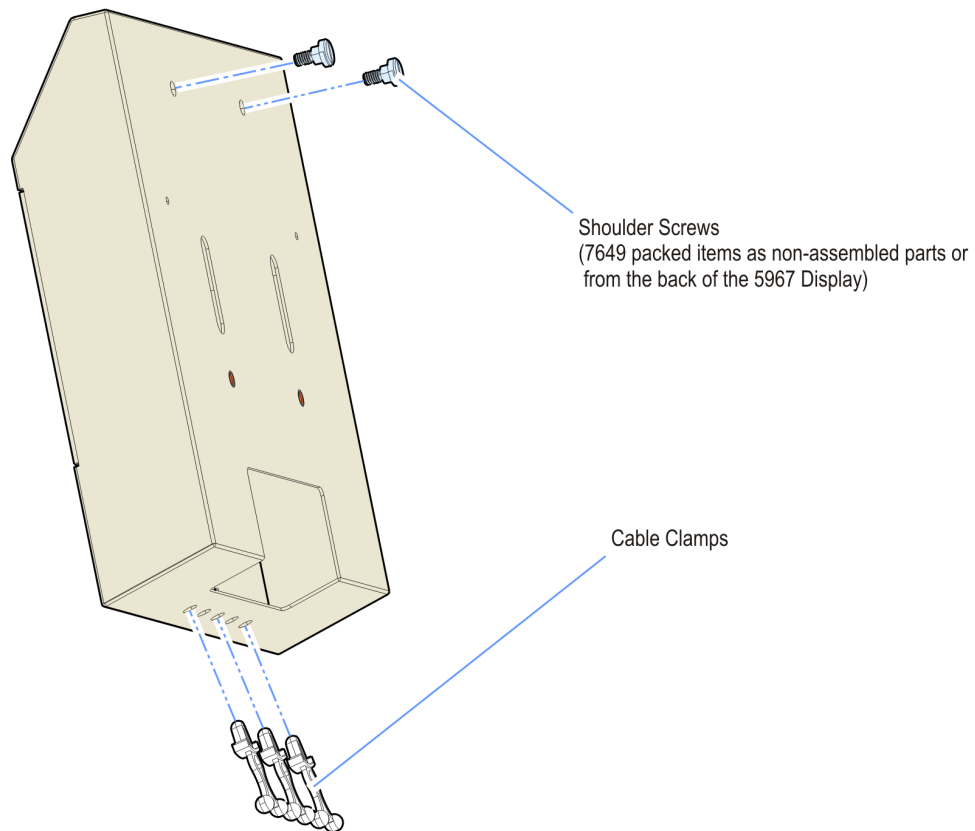
	5967 15" LCD	5967 12" LCD
A	477 mm (18.8 in.)	424 mm (16.7 in.)
B	412 mm (16.2 in.)	365 mm (15.2 in.)

# Components

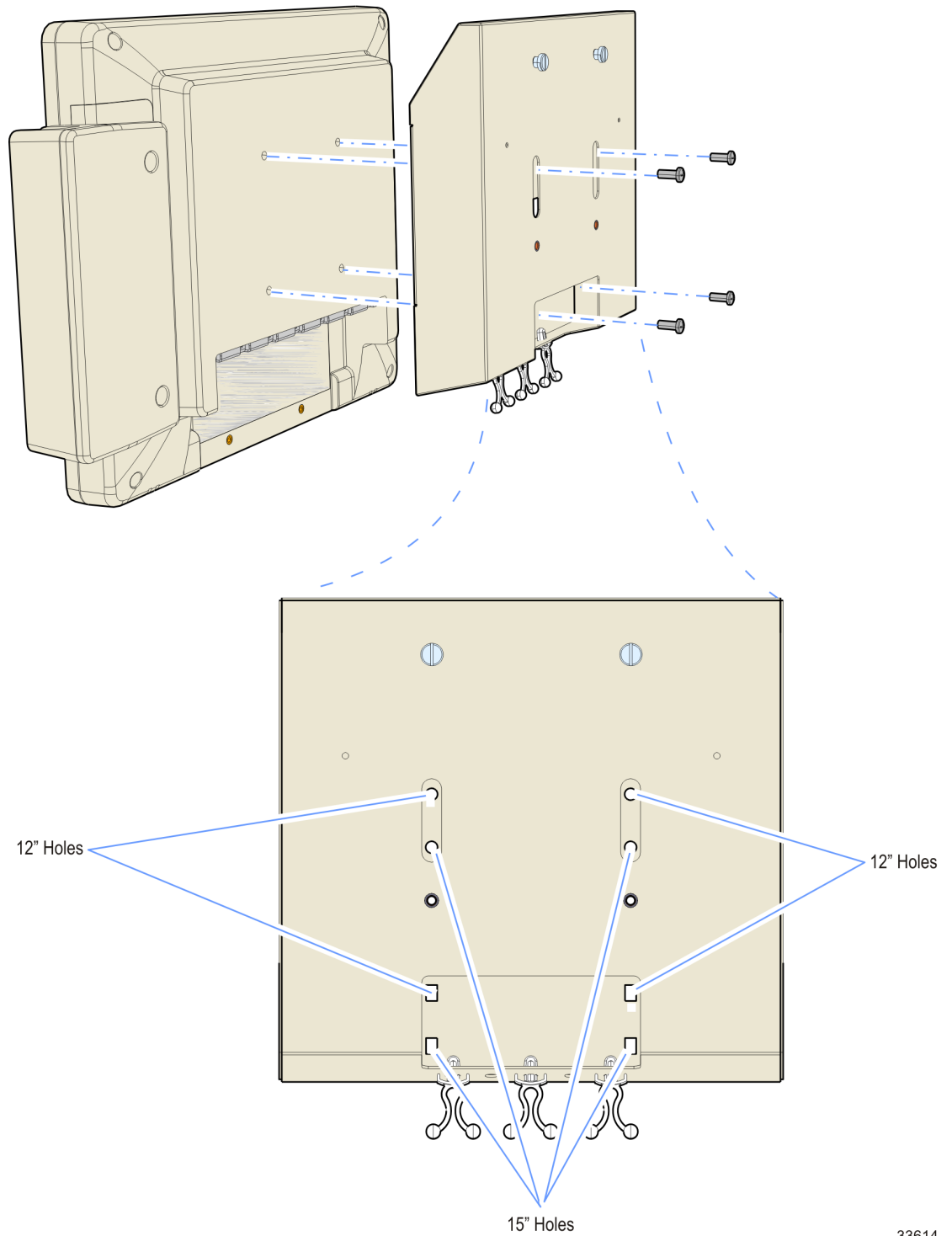


## Installation Procedure

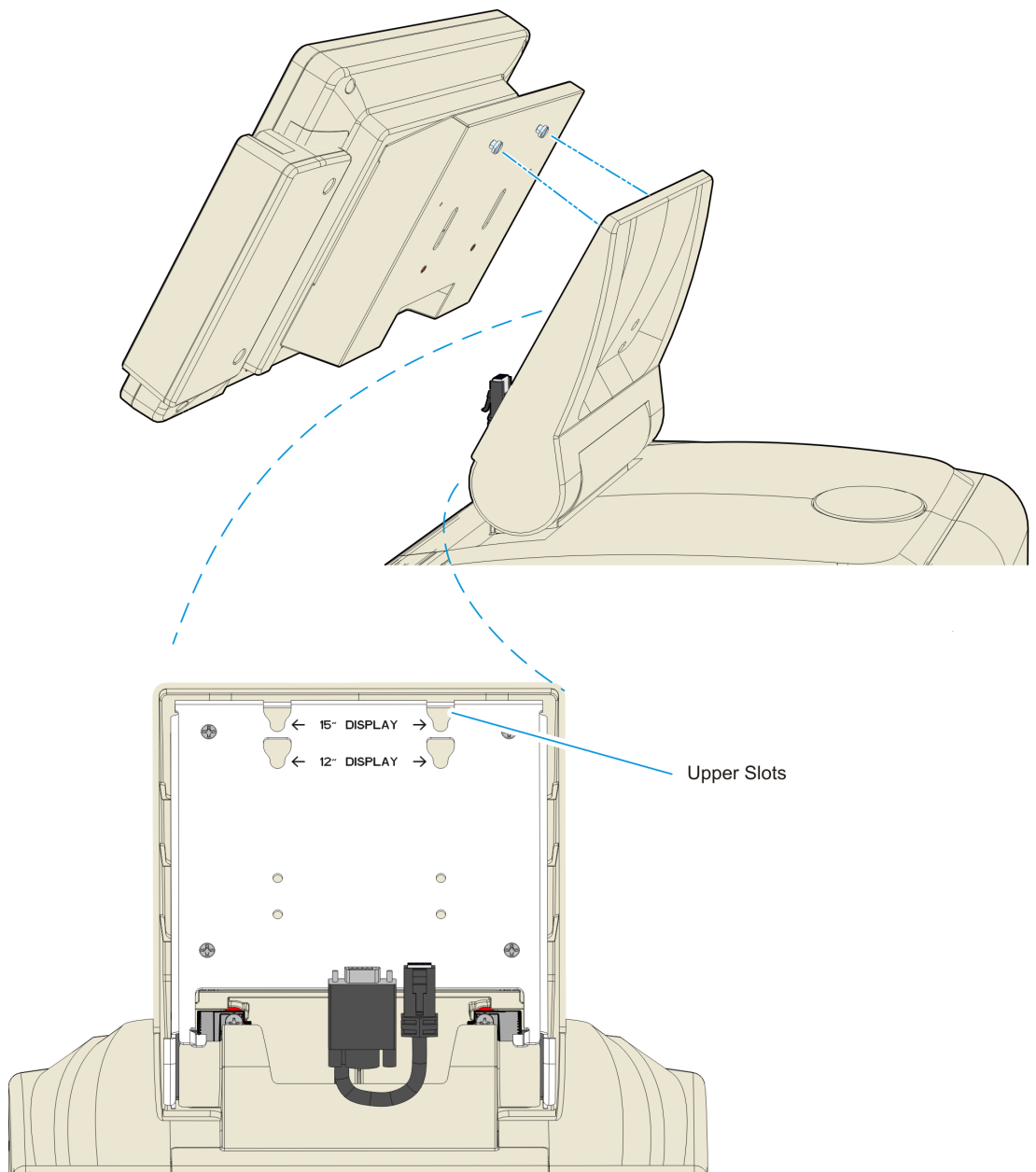
1. Remove the Shoulder Screws (2) from the back of the 5967 Display and then install them in the Display Adjuster.
2. Install the Cable Clamps (3) in the Display Adjuster.



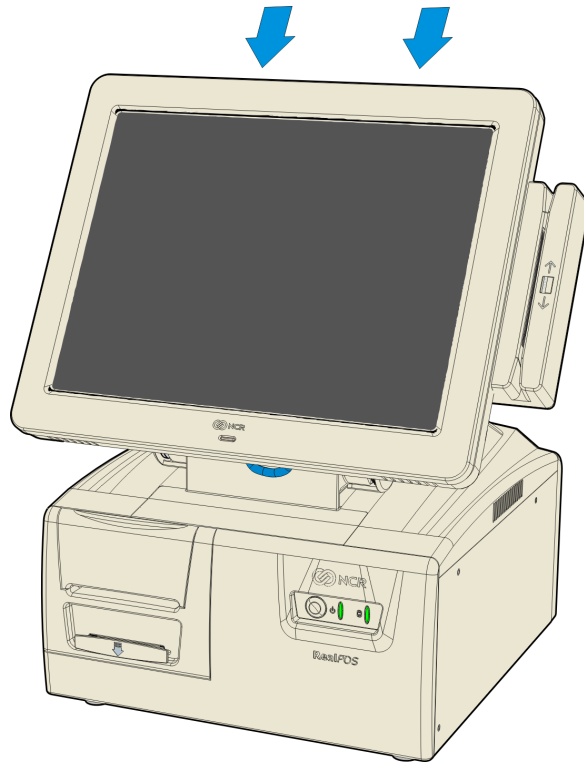
3. Attach the Display Adjuster to the back of the 5967 Display. There are two sets of holes (4 ea.) in the Display Adjuster to accommodate the two sizes of 5967 Displays. Be sure to use the correct holes.



4. Install the 5967 Display and Display Adjuster Assembly onto the 7649 Operator Display Mount.
  - a. Insert the heads of the shoulder screws of the Display Adjuster into the *upper* slots in the Operator Display Mount.

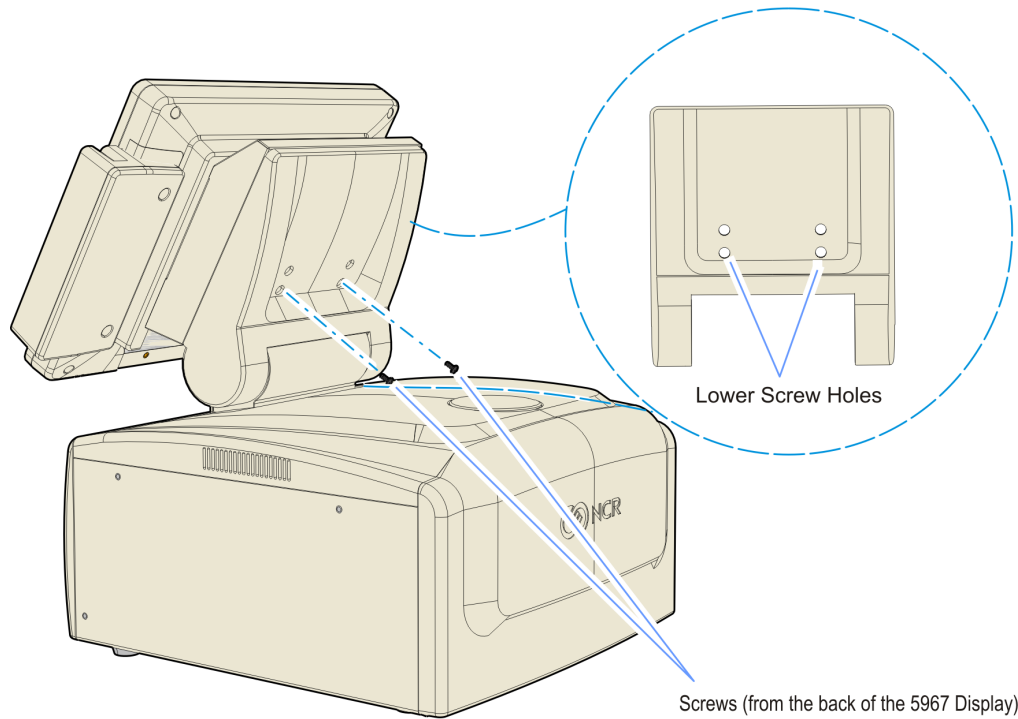


- b. Slide the display downward to lock the shoulder screws in the bottom of the slots.



30376

- c. Secure the display with screws (2) in the back of the mount (*lower* screw holes).

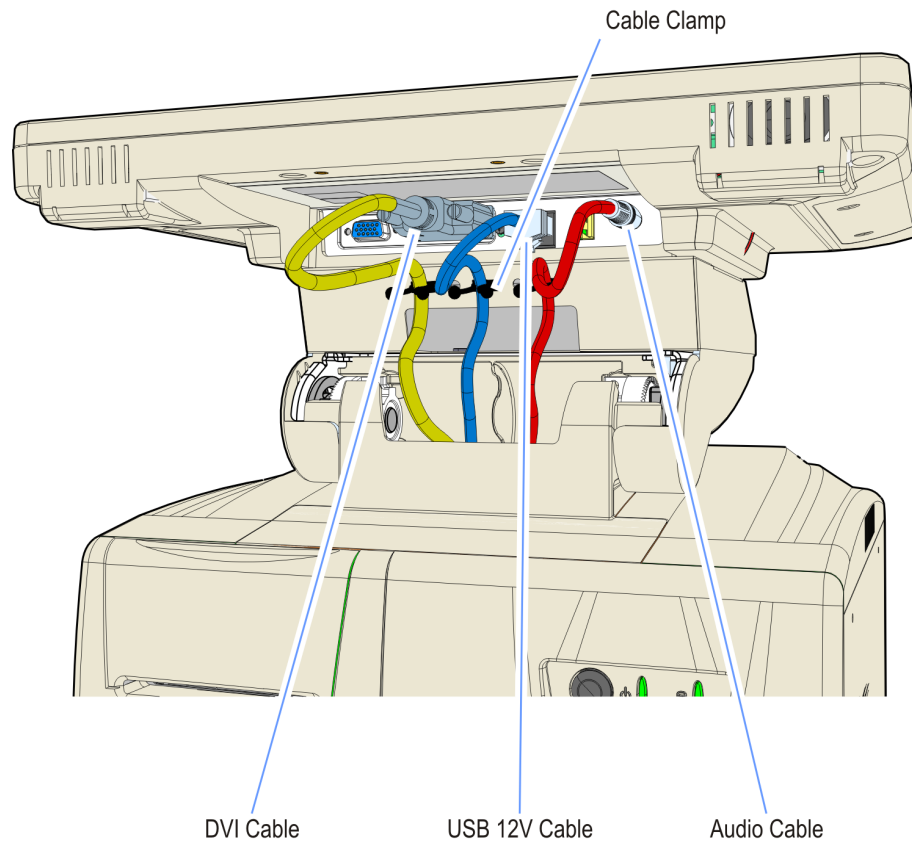


33616

5. Connect the Cables



- a. Tilt the display completely to the rear of the terminal.
- b. Connect the DVI, Power, and Audio Cables to the display.



- c. Secure the cable in the Cable Clamps.

