

7649-K454

Rear Customer LCD Hinge Assembly

Kit Instructions



Issue A

Revision Record

Issue	Date	Remarks
A	Nov 2011	First Issue

Introduction

This kit provides a mount for integrating an LCD Customer Display on the NCR 7649 terminal. The following LCD models are supported.

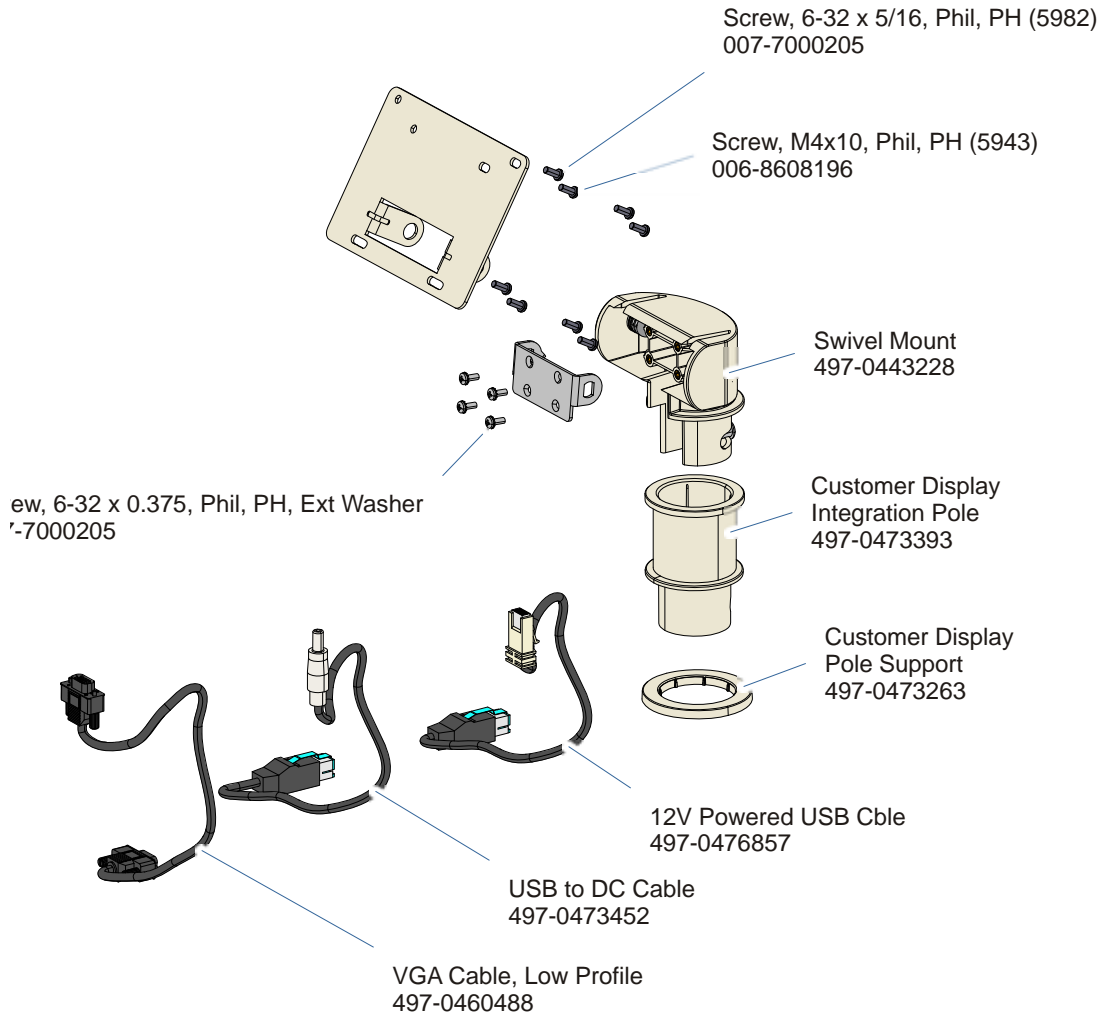
- NCR 5943 12" LCD
- NCR 5982 6.5" LCD

The following feature is also required to be present in the terminal.

- 7649-K021: Extended I/O Daughter Card (provides three additional 12 V Powered USB ports)

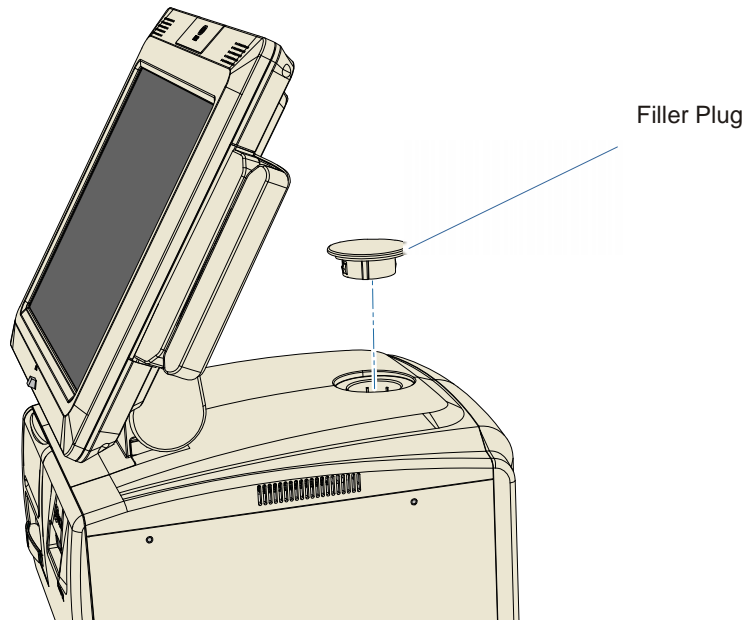
Kit Contents

There are three display cables included. Usage is display dependent.



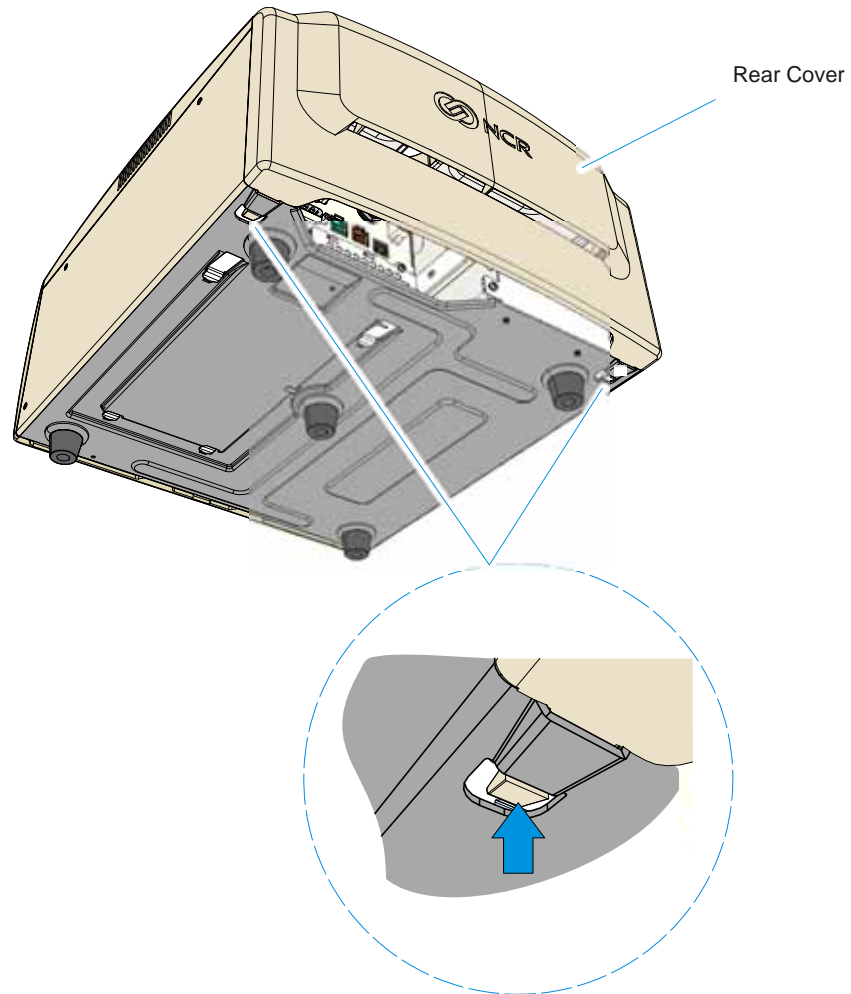
Installation Procedures

1. Remove the Filler Plug from the hole in the rear of the terminal chassis.



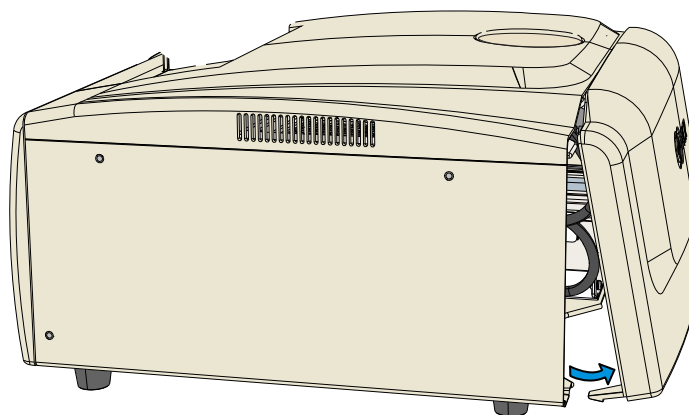
2. Remove the Rear Cover.

- a. Press UP on the two latches on the bottom of the unit to release the cover from the chassis.



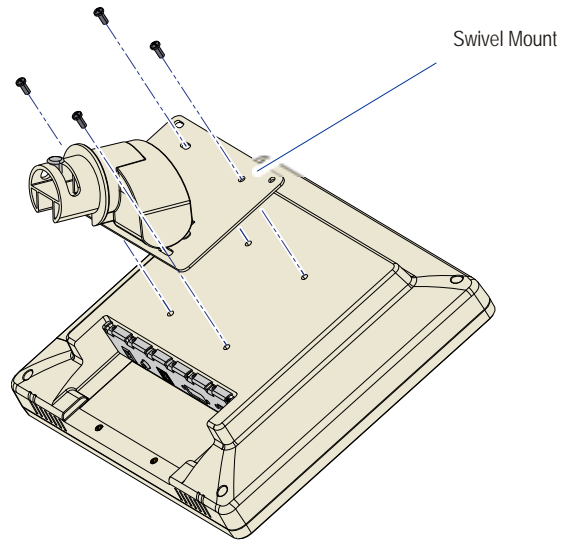
30356

- b. Pivot the bottom of the cover out as shown to remove it.



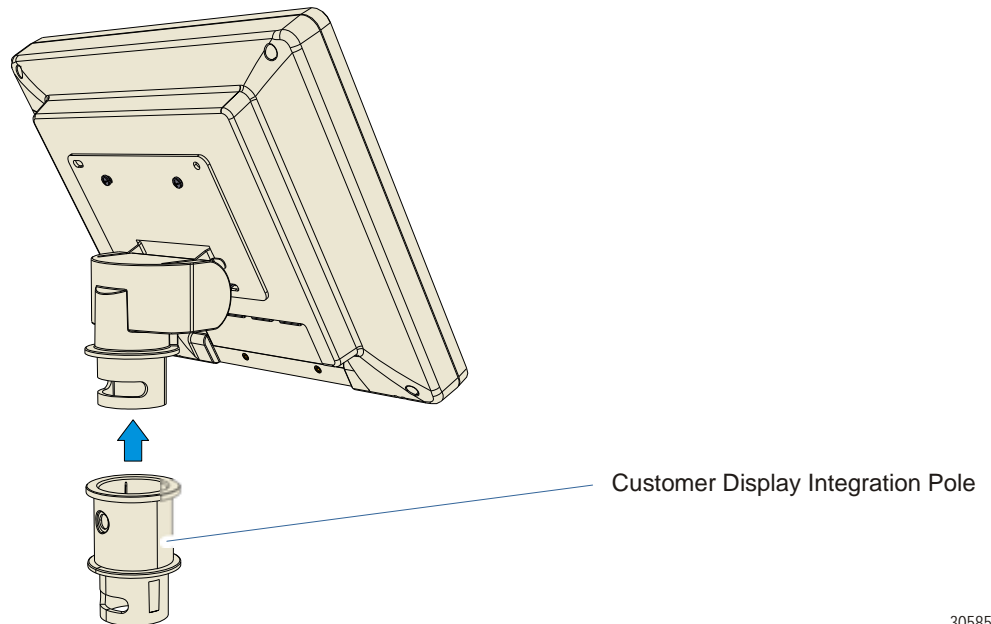
30357

3. Install the Swivel Mount on the back of the LCD (4 screws). Be careful to use the correct screws (see *Kit Contents* section).



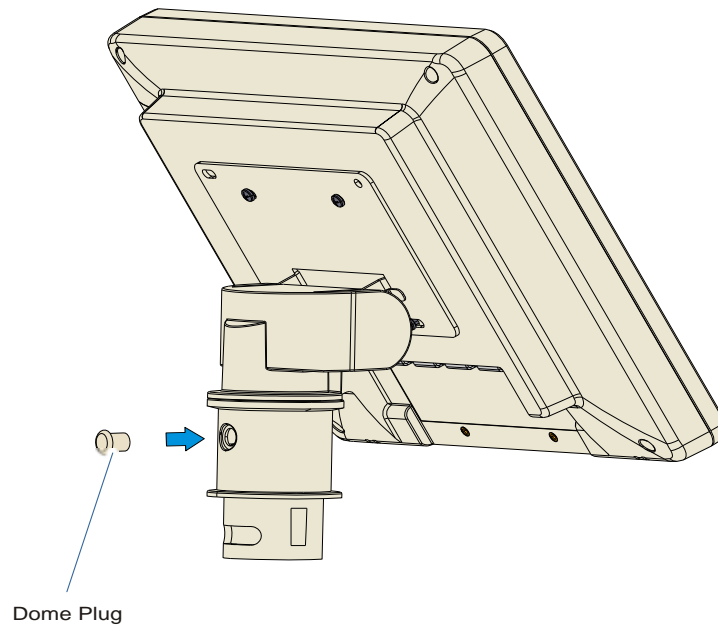
30379

4. Install the Customer Display Integration Pole onto the LCD Swivel Mount.

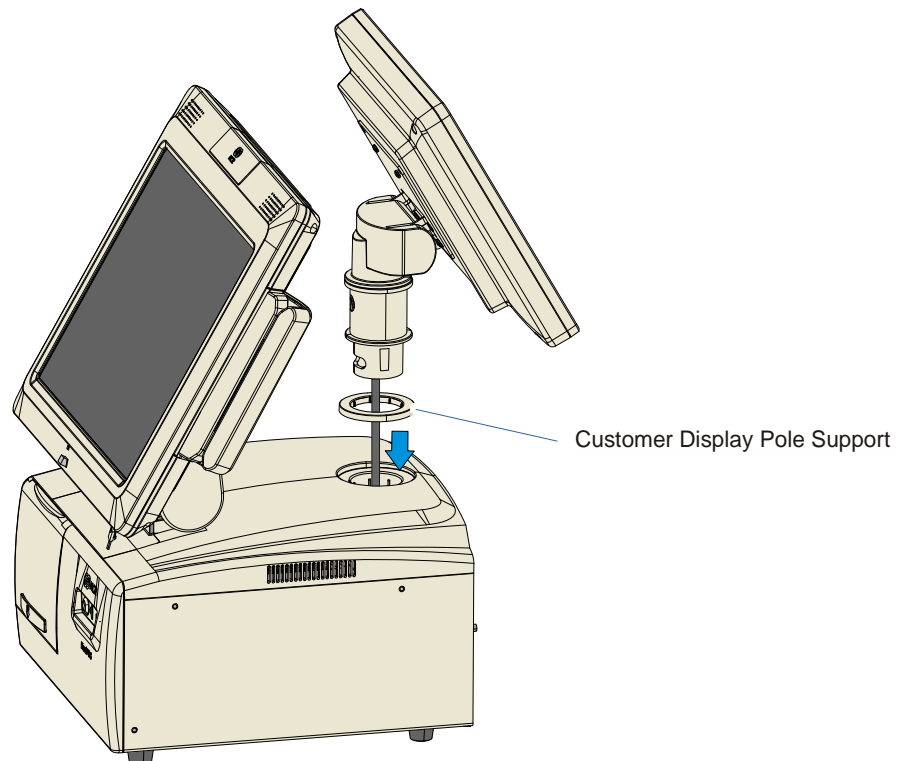


30585

5. Align hole in the pole with the slot in the Swivel Mount.
6. Insert the Dome Plug into the hole in the pole. The plug locks the plastic components together and provides display rotation limitations.



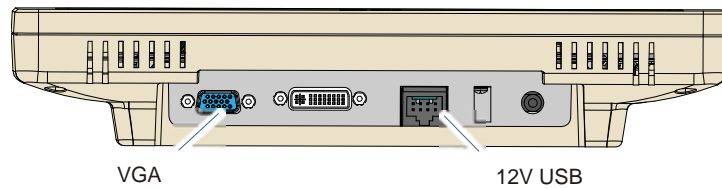
7. Install the Customer Display Pole Support in the hole in the terminal cabinet.
8. Install the Customer Display Assembly into the terminal.



9. Connect the cables.

5943 Display:

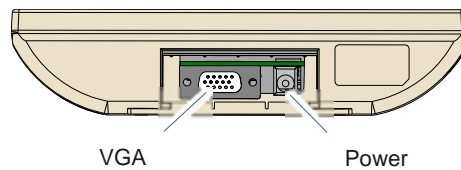
- Connect the Powered USB Cable to the *12V USB* connectors on the terminal and display.
- Connect the VGA Cable to the *VGA* connectors on the terminal and display.



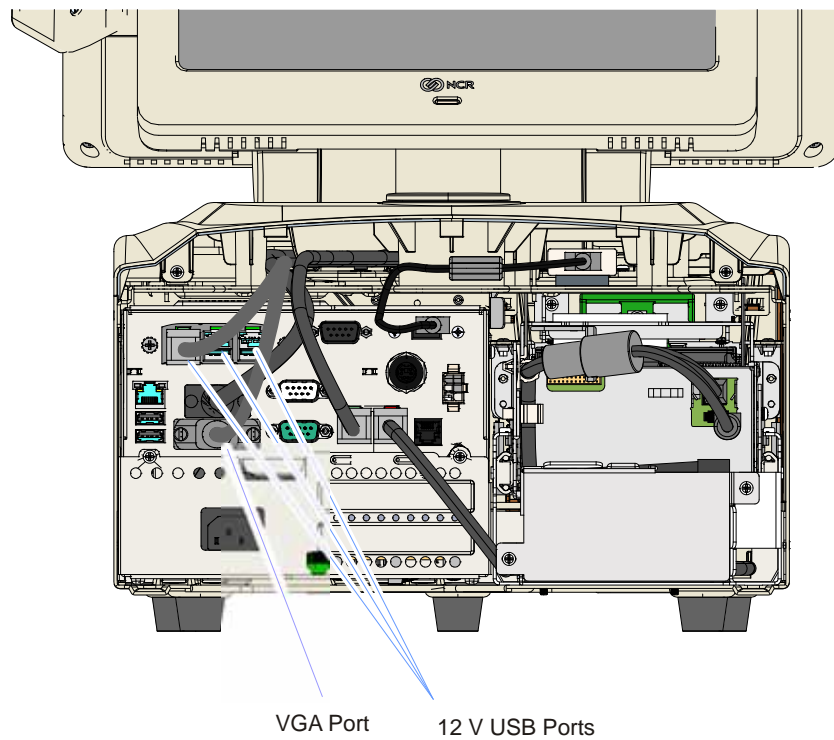
30581

5982 Display:

- Connect the Powered USB to DC Cable to the *12V USB* connector on the terminal and to the *Power* connector on the display.
- Connect the VGA Cable to the *VGA* connectors on the terminal and display.



30582



30381

10. Replace the Rear Cover.