

Kit Instructions

Second Display Mount



7709-K015
Issue A



The product described in this document is a licensed product of NCR Corporation.

NCR is a registered trademark of NCR Corporation. NCR SelfServ™ is a trademark of NCR Corporation in the United States and/or other countries. Other product names mentioned in this publication may be trademarks or registered trademarks of their respective companies and are hereby acknowledged.

The terms HDMI and HDMI High-Definition Multimedia Interface, and the HDMI Logo are trademarks or registered trademarks of HDMI Licensing LLC in the United States and other countries.

Where creation of derivative works, modifications or copies of this NCR copyrighted documentation is permitted under the terms and conditions of an agreement you have with NCR, NCR's copyright notice must be included.

It is the policy of NCR Corporation (NCR) to improve products as new technology, components, software, and firmware become available. NCR, therefore, reserves the right to change specifications without prior notice.

All features, functions, and operations described herein may not be marketed by NCR in all parts of the world. In some instances, photographs are of equipment prototypes. Software screen images are representative, and in some cases, may not match a customer's installed software exactly. Therefore, before using this document, consult with your NCR representative or NCR office for information that is applicable and current.

To maintain the quality of our publications, we need your comments on the accuracy, clarity, organization, and value of this book. Please use the link below to send your comments.

Email: FD230036@ncr.com

Copyright © 2019
By NCR Corporation
864 Spring St. NW
Atlanta, GA 30308
United States
All Rights Reserved

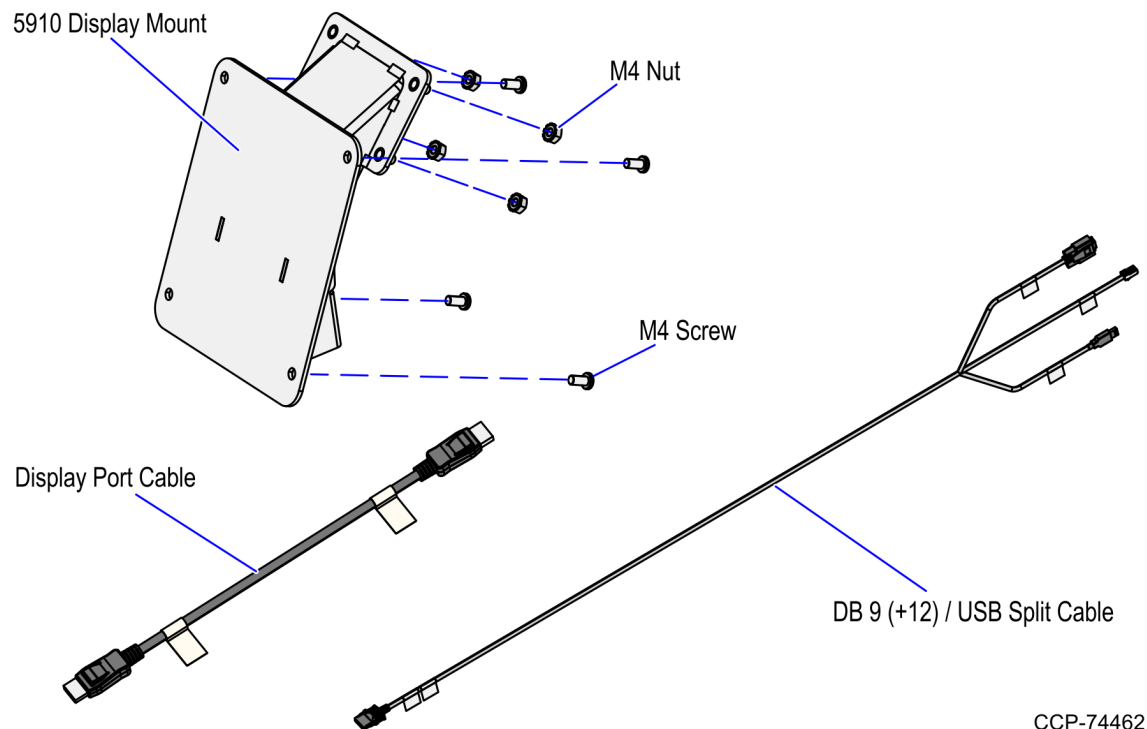
Revision Record

Issue	Date	Remarks
A	Jun 2019	First Issue

Second Display Mount

This publication provides procedures for installing the Second Display Mount on an NCR SelfServ™ 90 (7709) Kiosk.

Kit Contents



CCP-74462

Part Number	Description
497-0525141	7709-K015 Second Display Mount
795-0267101	5910 Display Mount
497-0512559	Cable, Display Port, 1.3 meters
497-0521788	Cable, Latch-N-Lok, USB +12V to USB A Split RJ50/DB9, 1.28 meters
006-8611753	Nut, Kep, M4 (4 pcs)
006-8615964	Screw, M4x8, Machine, Phil, Pan, Steel, Black (4 pcs)

Installation Procedures

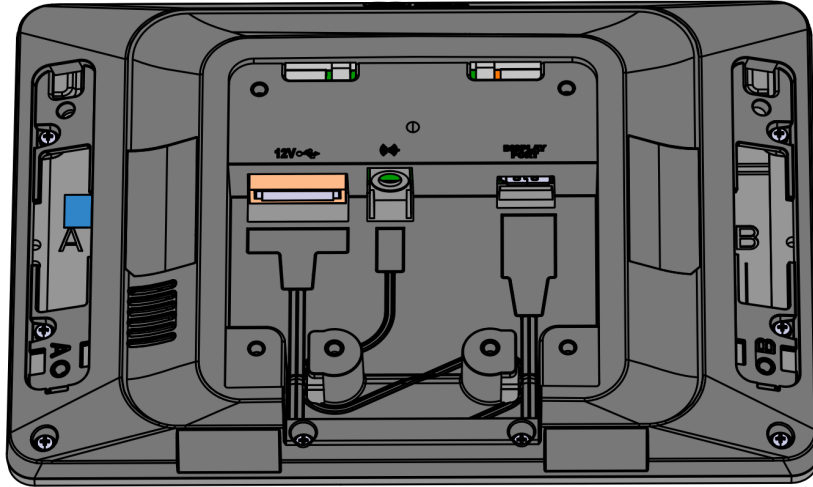
Installing the Second Display Mount on an NCR 7709 unit involves the following procedures:

1. Install the Second Display Mount on the Second Display unit. For more information, refer to [*Installing the Second Display Mount*](#) on the facing page.
2. Install the Second Display Assembly on the NCR 7709 kiosk. For more information, refer to [*Installing the Second Display Assembly*](#) on page 5.

Installing the Second Display Mount

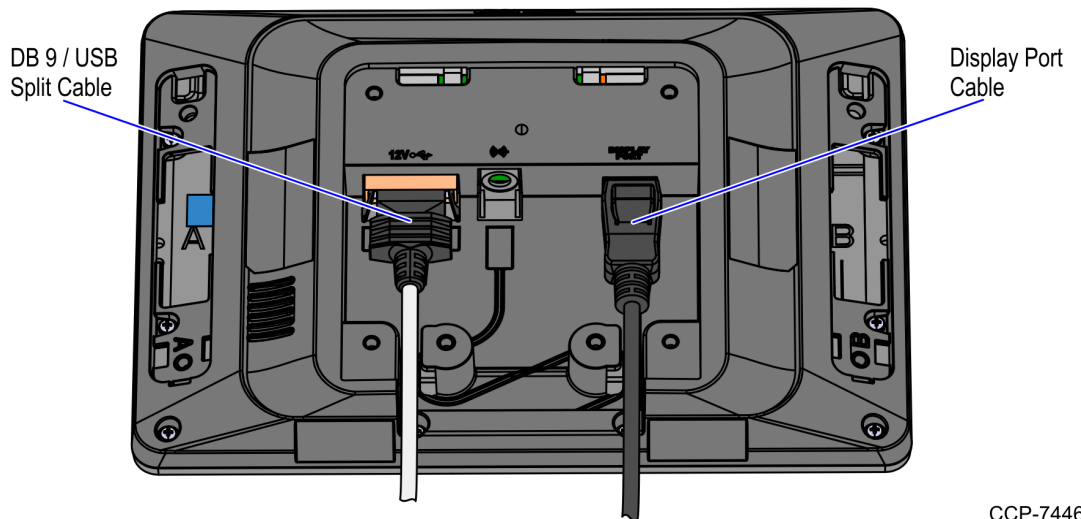
To install the Second Display Mount on the Second Display unit, follow these steps:

1. Place the Second Display on a flat surface with the back facing up as shown in the image below.



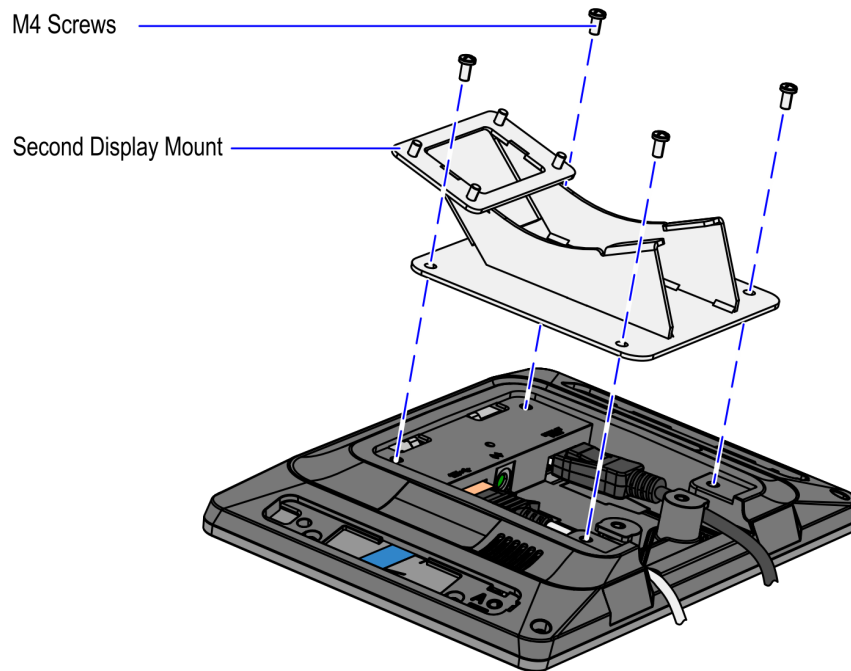
CCP-74463

2. Connect the DB9 / USB Split Cable and Display Port Cable as shown in the image below.



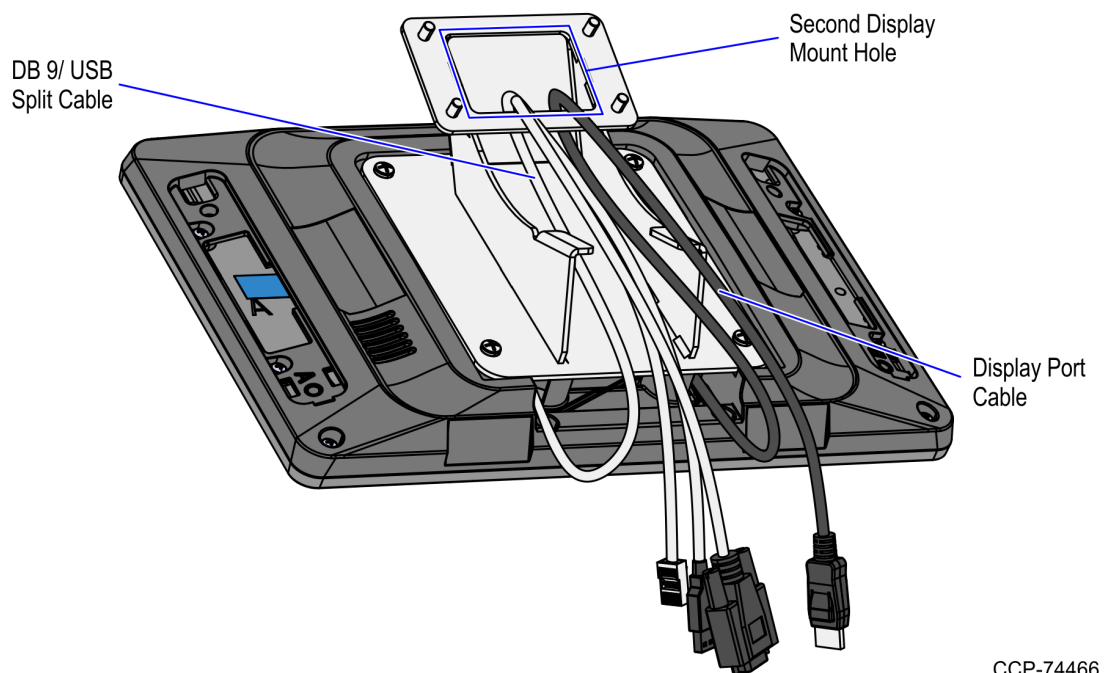
CCP-74464

3. Install and secure the Second Display Mount on the back of the Second Display unit using four M4 Screws.



CCP-74465

4. Route the cables through the Second Display Mount hole as shown in the image below.



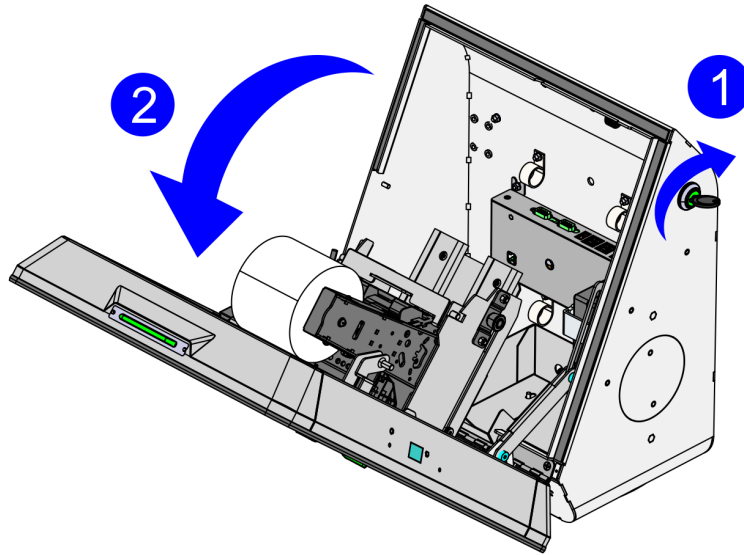
CCP-74466

5. Install the Second Display Assembly to the NCR 7709 kiosk. For more information, refer to [Installing the Second Display Assembly](#) on the facing page.

Installing the Second Display Assembly

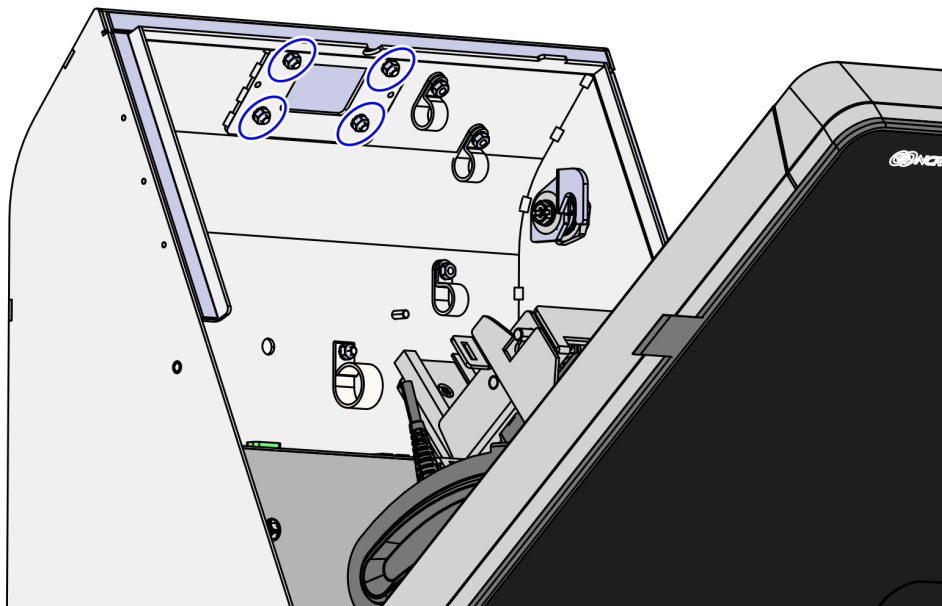
To install the Second Display Assembly on the NCR 7709, follow these steps:

1. Install the Second Display Mount on the Second Display unit. For more information, refer to [Installing the Second Display Mount](#) on page 3.
2. Insert the key into the NCR 7709 keylock, turn the key clockwise, and then carefully open the NCR 7709.



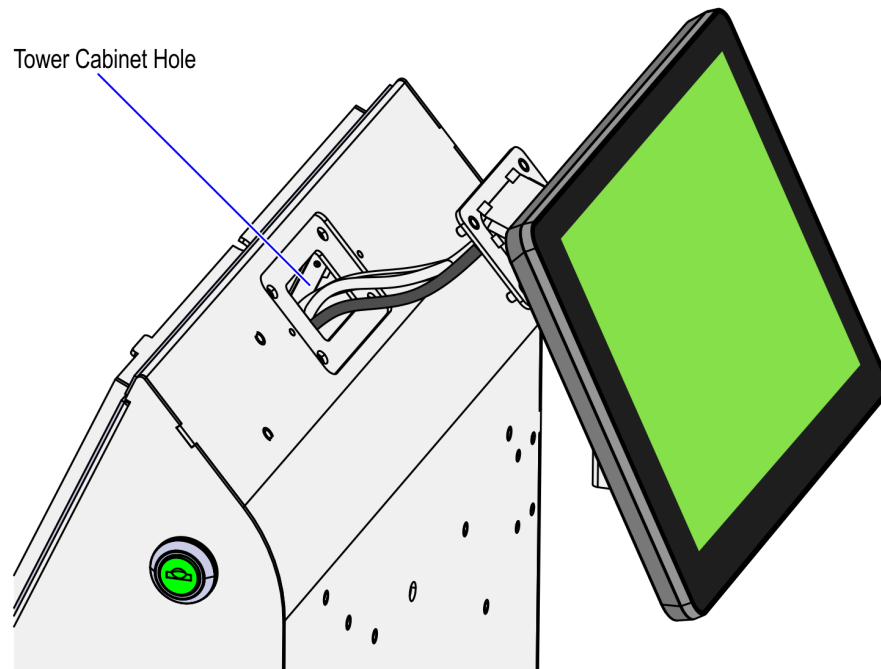
CCP-76602

3. Remove four nuts securing the Second Display Blanking.



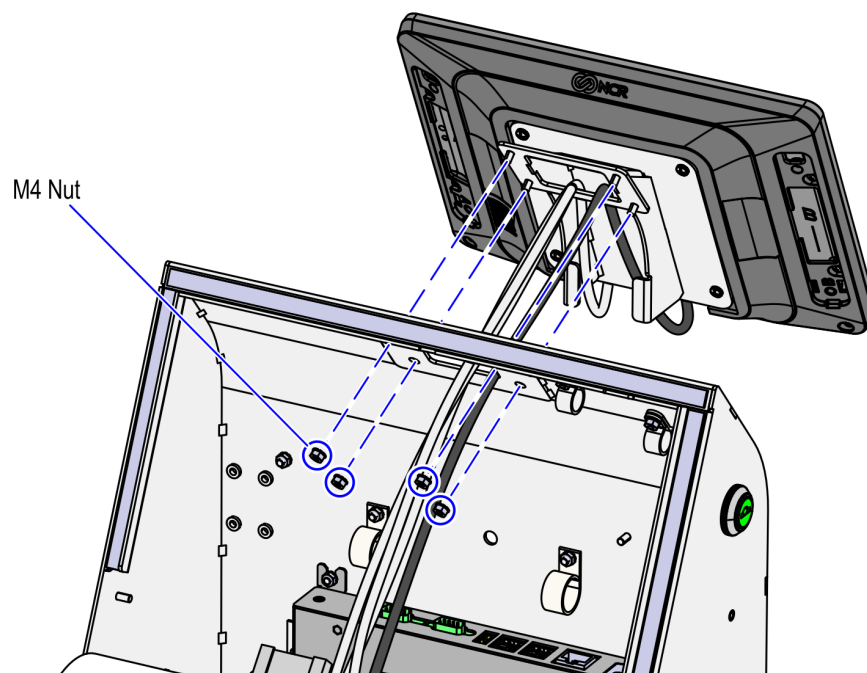
CCP-74468

4. Insert the Second Display cables through the NCR 7709 hole as shown in the image below.



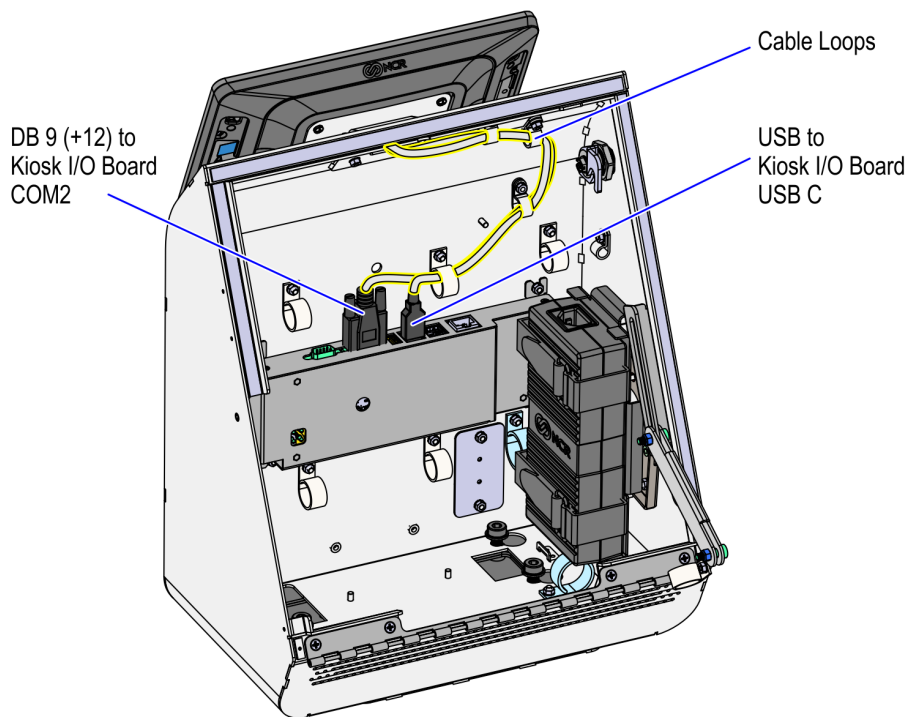
CCP-74469

5. Install and secure the Second Display Assembly on the NCR 7709 using four M4 nuts.



CCP-74470

6. Route the DB9 / USB Split Cable through cable loops and then connect to the Kiosk I/O Board as shown in the image below.



7. Route the Display Port Cable through cable loops and then connect to the NCR 7709 Port. Ensure that cables are secured with cable ties as shown in the image below.

