

Kit Instructions

NCR SelfServ™ 90 (7709) Kiosk
Mini Cam Lock with Lock Pawl, Dark White



7709-K231
Issue A



The product described in this book is a licensed product of NCR Corporation.

NCR is a registered trademark of NCR Corporation. NCR SelfServ™ is a trademark of NCR Corporation in the United States and/or other countries. Other product names mentioned in this publication may be trademarks or registered trademarks of their respective companies and are hereby acknowledged.

The terms HDMI and HDMI High-Definition Multimedia Interface, and the HDMI Logo are trademarks or registered trademarks of HDMI Licensing LLC in the United States and other countries.

Where creation of derivative works, modifications or copies of this NCR copyrighted documentation is permitted under the terms and conditions of an agreement you have with NCR, NCR's copyright notice must be included.

It is the policy of NCR Corporation (NCR) to improve products as new technology, components, software, and firmware become available. NCR, therefore, reserves the right to change specifications without prior notice.

All features, functions, and operations described herein may not be marketed by NCR in all parts of the world. In some instances, photographs are of equipment prototypes. Therefore, before using this document, consult with your NCR representative or NCR office for information that is applicable and current.

To maintain the quality of our publications, we need your comments on the accuracy, clarity, organization, and value of this book. Please use the link below to send your comments.

Email: FD230036@ncr.com

Copyright © 2017
By NCR Corporation
Duluth, GA U.S.A.
All Rights Reserved

Revision Record

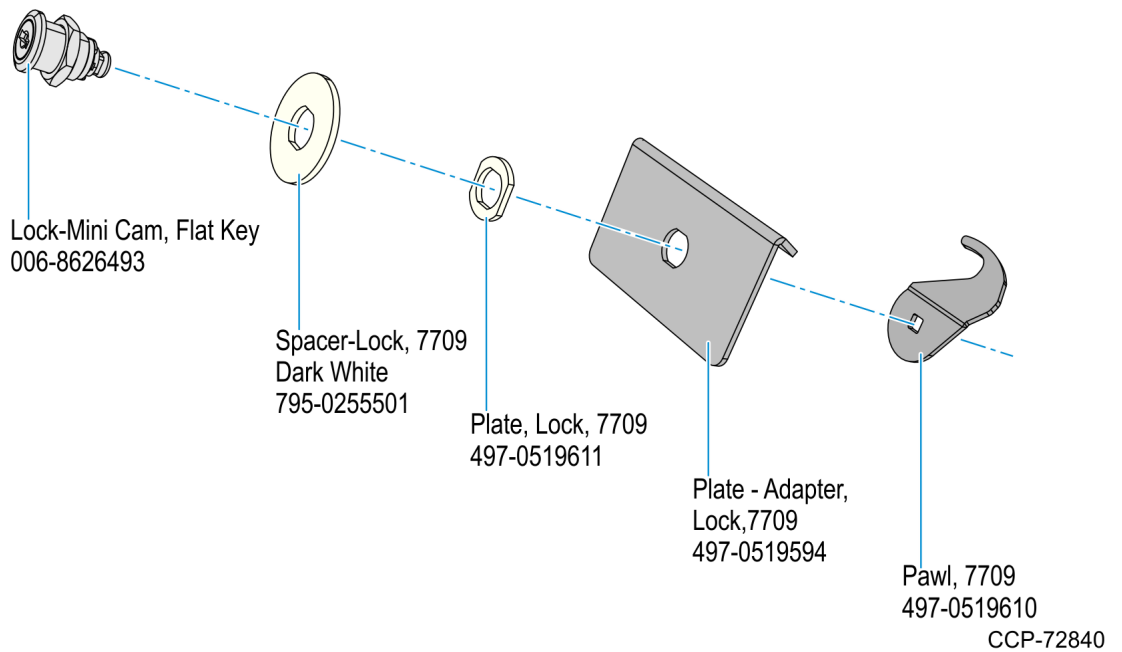
Issue	Date	Remarks
A	Oct 2017	First Issue

Mini Cam Lock with Lock Pawl, Dark White

Introduction

This kit provides the components to add a lock and key set to the NCR SelfServ™ 90 Kiosk.

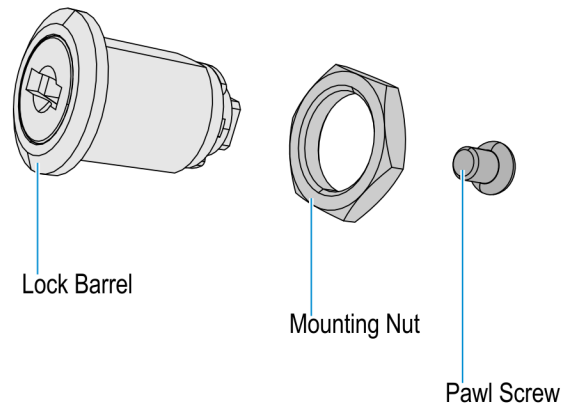
Kit Contents



Installation Procedure

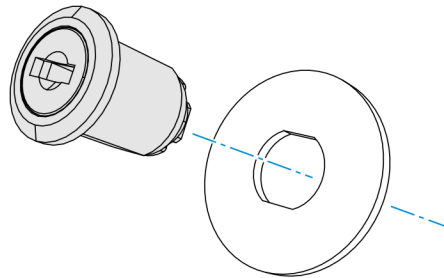
1. Disassemble the Mini Cam Lock into the following components:

- Lock Barrel
- Mounting Nut
- Pawl Screw



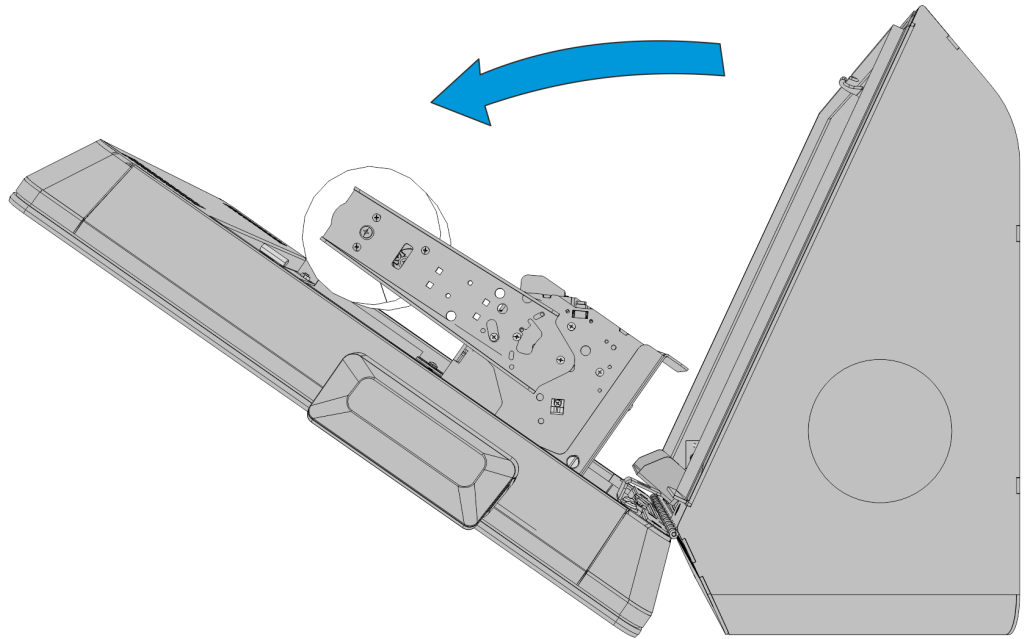
CCP-72841

2. Insert the Lock Barrel into the Spacer.



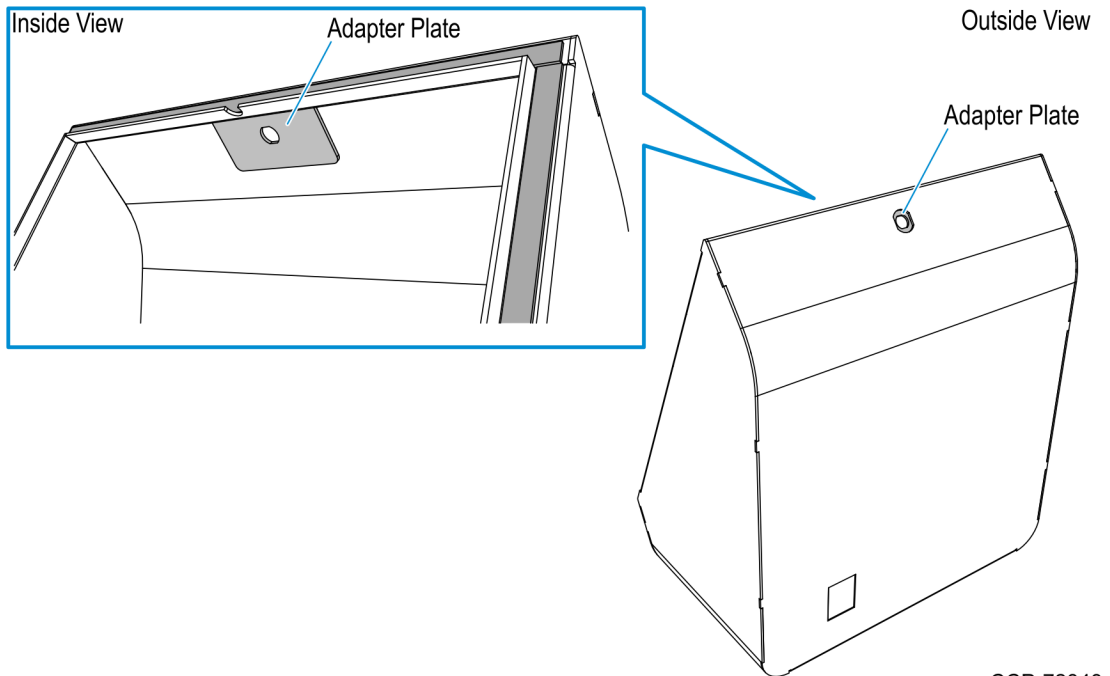
CCP-72842

3. Open the kiosk.



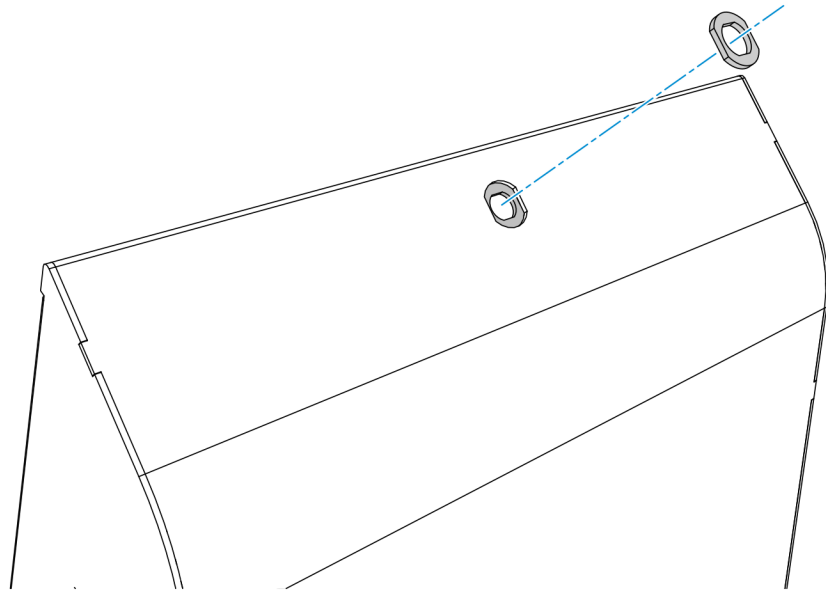
60922

4. Inside the kiosk cabinet, position the Adapter Plate, aligning its hole to the cabinet lock hole. Hold the plate in place with one hand.



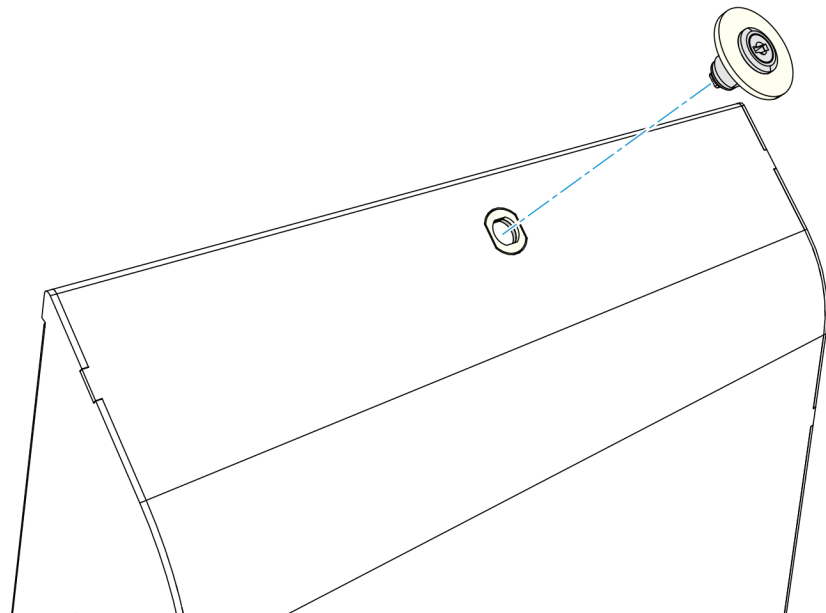
CCP-72843

- From outside the kiosk cabinet, place the Lock Plate on the cabinet lock hole.



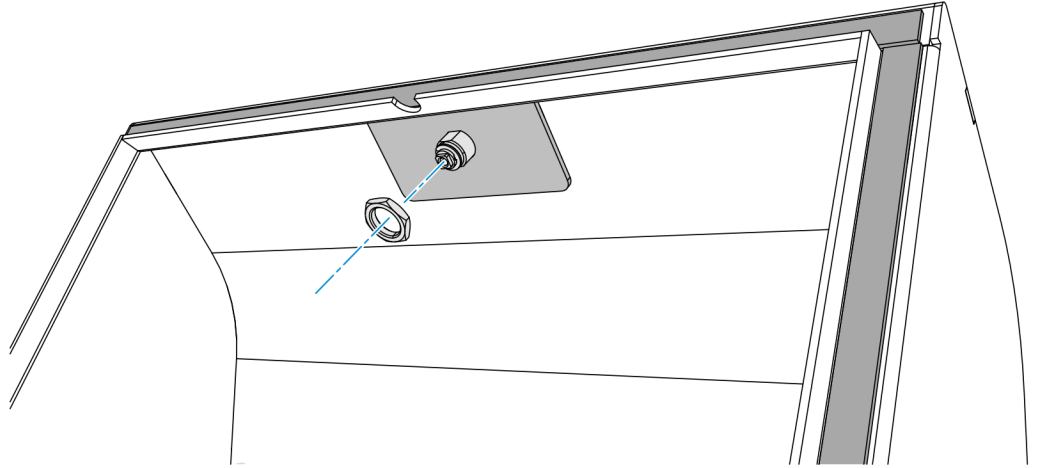
CCP-72844

- Insert the Lock Barrel and Spacer assembly into the cabinet lock hole.



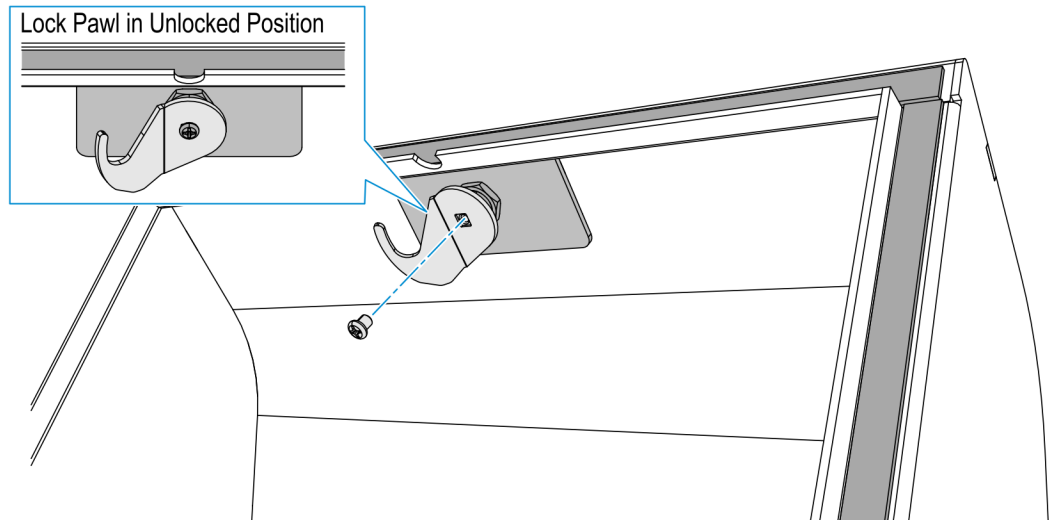
CCP-72845

7. Inside the kiosk cabinet, secure the lock assembly using the Mounting Nut. Use **3 N·m** (2.21 lbf-ft) torque when tightening the nut.



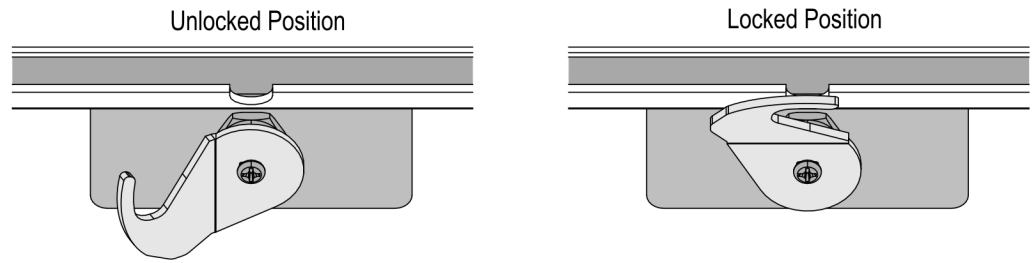
CCP-72846

8. Install the Pawl in the unlocked position as shown below and secure the Pawl using the Pawl Screw. Use **2 N·m** (1.48 lbf-ft) torque when tightening the screw.



CCP-72847

9. Test the Lock using its key and note the locked and unlocked positions of the Pawl.



CCP-72848

10. Close the kiosk and test the Lock using its key.