

KIT INSTRUCTIONS

SelfServ™ 90 Printer Blank Plate



7709-K302
Issue A



The product described in this book is a licensed product of NCR Corporation.

NCR is a registered trademark of NCR Corporation. NCRSelfServ Checkout is a trademark of NCR Corporation in the United States and/or other countries. Other product names mentioned in this publication may be trademarks or registered trademarks of their respective companies and are hereby acknowledged.

The terms HDMI and HDMI High-Definition Multimedia Interface, and the HDMI Logo are trademarks or registered trademarks of HDMI Licensing LLC in the United States and other countries.

Where creation of derivative works, modifications or copies of this NCR copyrighted documentation is permitted under the terms and conditions of an agreement you have with NCR, NCR's copyright notice must be included.

It is the policy of NCR Corporation (NCR) to improve products as new technology, components, software, and firmware become available. NCR, therefore, reserves the right to change specifications without prior notice.

All features, functions, and operations described herein may not be marketed by NCR in all parts of the world. In some instances, photographs are of equipment prototypes. Therefore, before using this document, consult with your NCR representative or NCR office for information that is applicable and current.

To maintain the quality of our publications, we need your comments on the accuracy, clarity, organization, and value of this book. Please use the link below to send your comments.

EMail: FD230036@ncr.com

Copyright © 2016
By NCR Corporation
Duluth, GA U.S.A.
All Rights Reserved

Revision Record

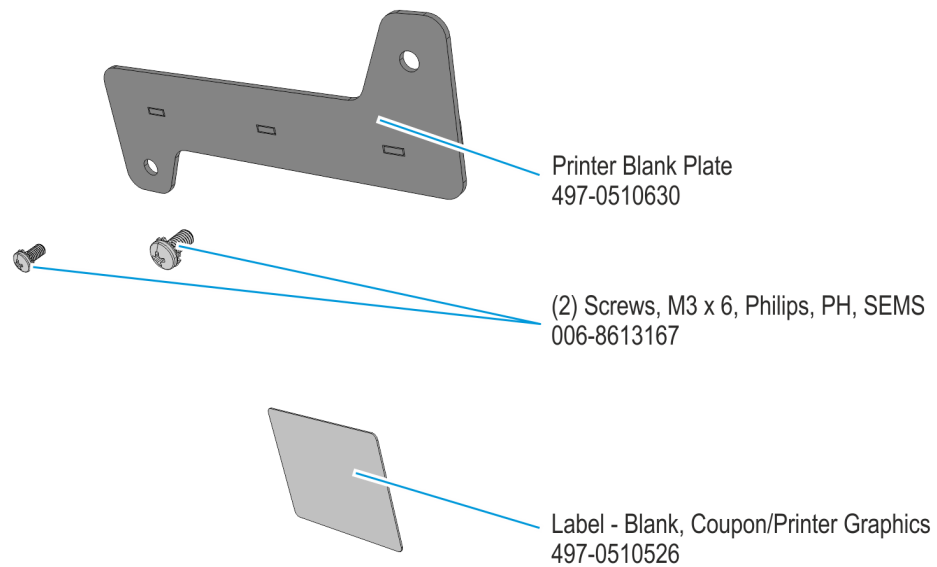
Issue	Date	Remarks
A	Apr 2016	First Issue

Printer Blank Plate

Introduction

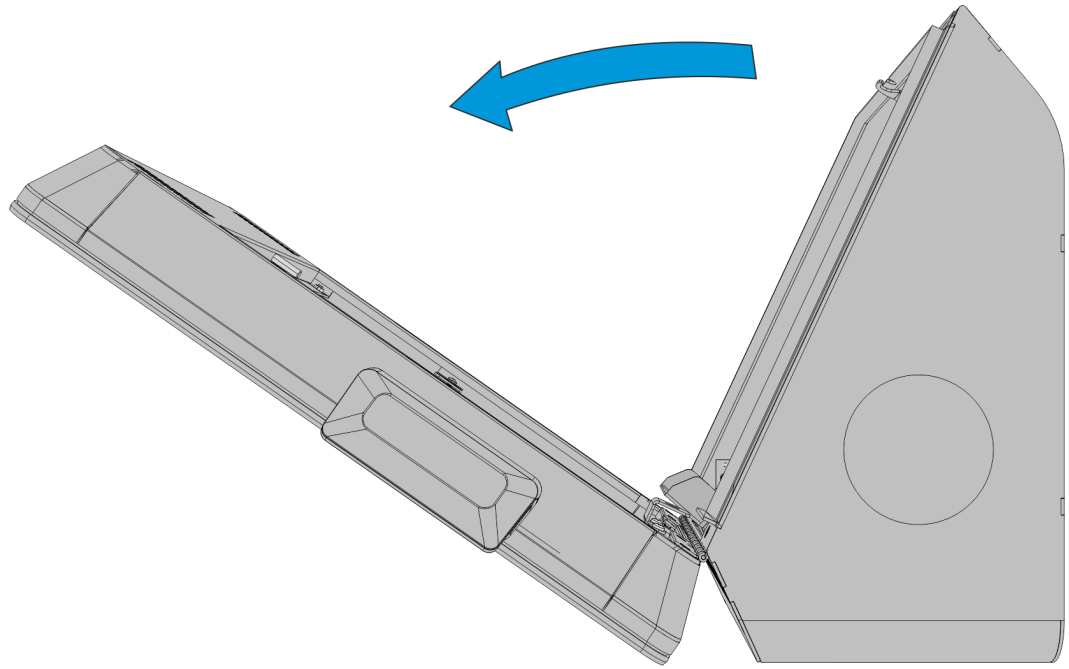
This kit provides the components to add a printer blank plate to the NCR SelfServ™ 90 Kiosk.

Kit Contents



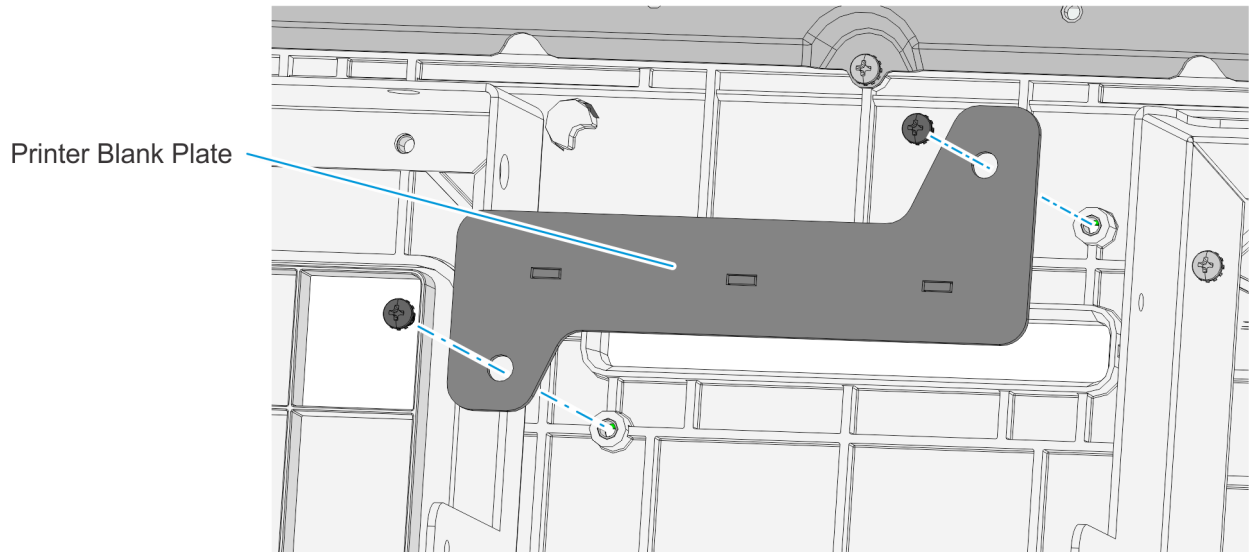
Installation Procedure

1. Open the front of the kiosk.



60847

2. Install the printer blank plate. Secure with screws (2).



60913

3. Cover the Printer Graphics with the Blank Label. When attaching the blank label, please observe the following:
 - The top edge of the label is parallel to the printer opening.
 - The label is smooth, straight and not crumpled.
 - The whole printer graphic is covered and no part is visible exceeding the blank label.

