

# Kit Instructions

Pedestal (Dark White Color & Impact Mid Silver)

7709-K430  
Issue C



---

The product described in this document is a licensed product of NCR Corporation.

NCR is a registered trademark of NCR Corporation. NCR SelfServ™ is a trademark of NCR Corporation in the United States and/or other countries. Other product names mentioned in this publication may be trademarks or registered trademarks of their respective companies and are hereby acknowledged.

The terms HDMI and HDMI High-Definition Multimedia Interface, and the HDMI Logo are trademarks or registered trademarks of HDMI Licensing LLC in the United States and other countries.

Where creation of derivative works, modifications or copies of this NCR copyrighted documentation is permitted under the terms and conditions of an agreement you have with NCR, NCR's copyright notice must be included.

It is the policy of NCR Corporation (NCR) to improve products as new technology, components, software, and firmware become available. NCR, therefore, reserves the right to change specifications without prior notice.

All features, functions, and operations described herein may not be marketed by NCR in all parts of the world. In some instances, photographs are of equipment prototypes. Software screen images are representative, and in some cases, may not match a customer's installed software exactly. Therefore, before using this document, consult with your NCR representative or NCR office for information that is applicable and current.

To maintain the quality of our publications, we need your comments on the accuracy, clarity, organization, and value of this book. Please use the link below to send your comments.

Email: [FD230036@ncr.com](mailto:FD230036@ncr.com)

Copyright © 2020  
By NCR Corporation  
864 Spring St. NW  
Atlanta, GA 30308  
United States  
All Rights Reserved

---

## Revision Record

Issue	Date	Remarks
A	Apr 2016	First Issue
B	Jun 2017	Added recommended bolt sizes for base plate
C	Nov 2020	Updated kit contents



---

# Pedestal (Dark White Color & Impact Mid Silver)

---

## Introduction

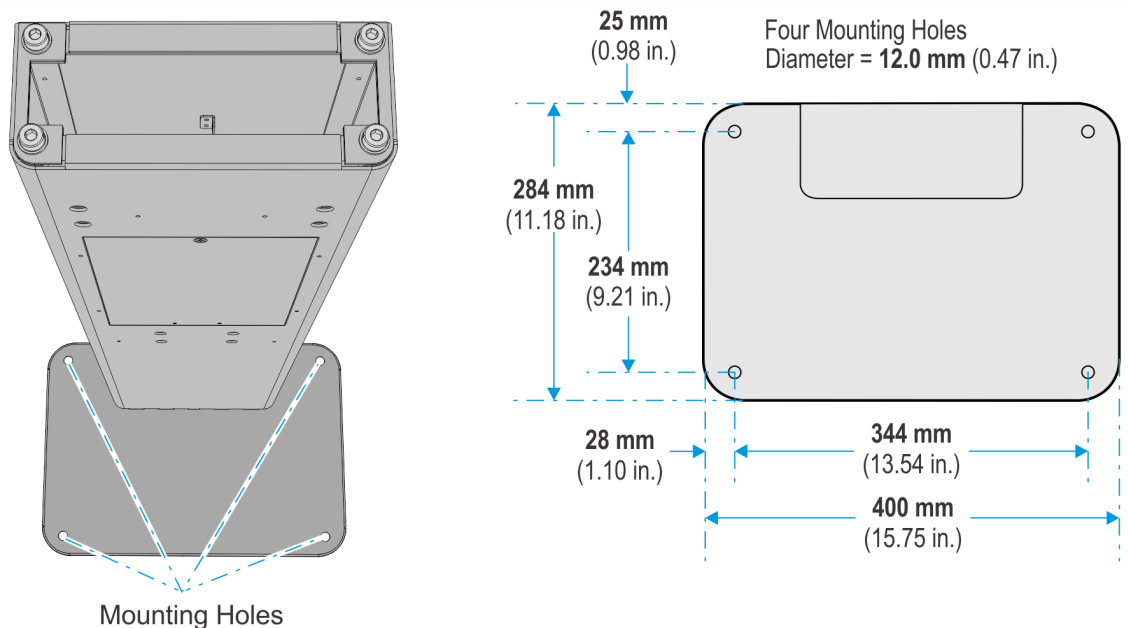
This kit provides components to add a Walmart Blue pedestal to the NCR SelfServ™ 90 (7709) Kiosk.

The pedestal must be fastened to the floor to prevent it from being moved or knocked over.

The floor construction determines the type of anchors to use. The anchors are not shipped with the kiosk and must be obtained locally. There are four Anchor Holes in the Pedestal Base with dimensions shown in the illustration below.

The anchors must not extend up above the top of the Pedestal Base more than **12.7 mm** (0.5 in.).

For more information on preparing the installation site of the Kiosk, see the NCR SelfServ 90 (7709) Site Preparation Guide.



### Recommended Bolt Specification:

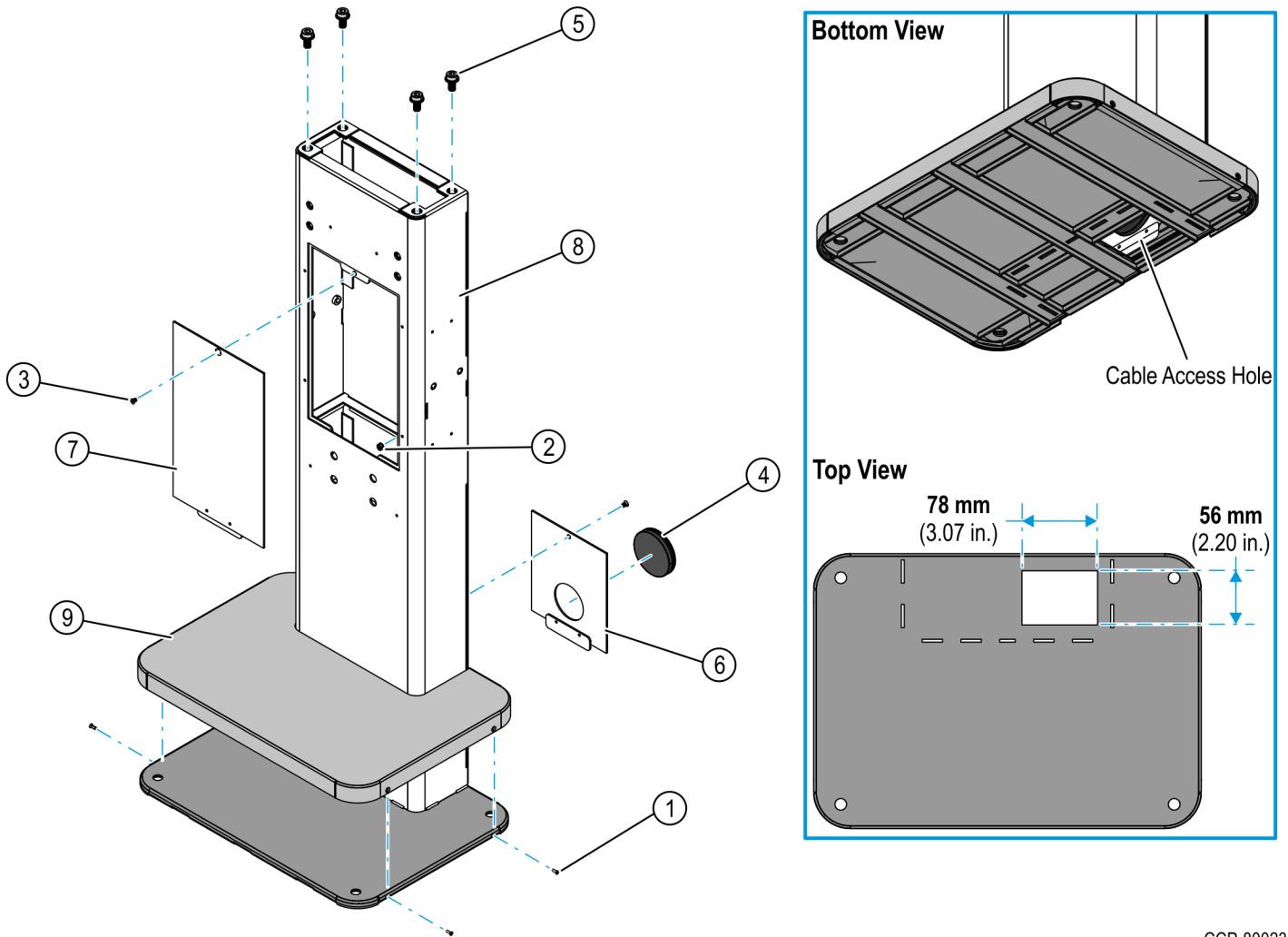
Size: **M10** (3/8 in.) Socket Cap Bolts

Length: **76 mm** (3 in.)

Allen Key Size for Bolt Head: **8mm** (5/16 in.)

CCP-60896

# Kit Contents



CCP-80023

Part Number	Description
497-0529971	7709-K430 Dark White Color & Impact Mid Silver
1 006-8604919	Screw, M3 X 0.5, 8mm, Phillips Flat Zinc Plated (4 pcs)
2 006-8611753	Nut, KEP, M4
3 006-8622588	M4 X 6mm Length, Flat Head, Zinc Plated (2 pcs)
4 006-8624070	Grommet, 50mm Cut Dia, 41mm Inner Dia
5 006-8624161	Screw, M8 X 16, Socket Cap, Flanged, Serrated (4 pcs)
6 795-0215300-5399	Door, Back, Pedestal, 7709
7 795-0215100-5199	Door, Front, Pedestal, 7709
8 795-0290300-0399	Weldment, Column, Pedestal, 7709

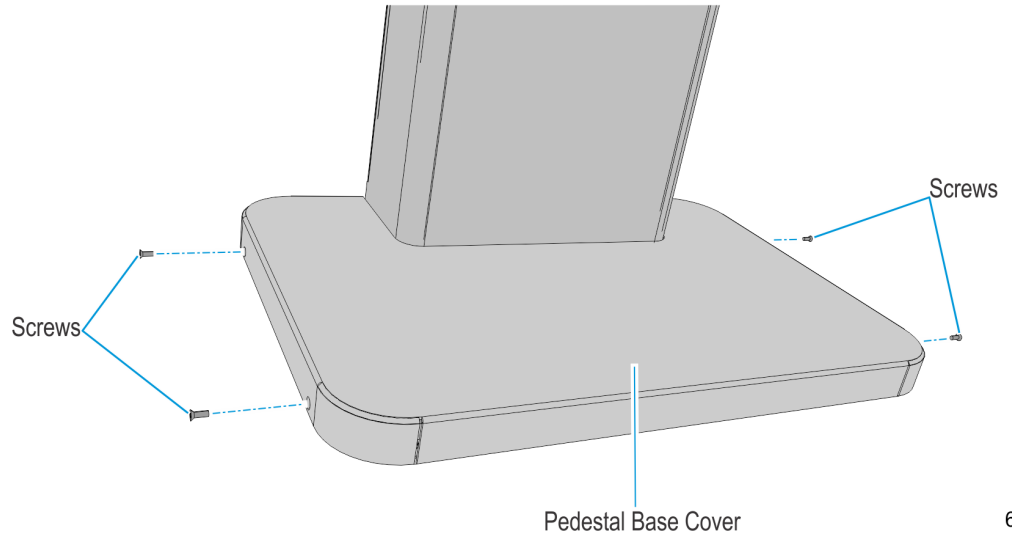
Part Number	Description
9	795-0215000-5099 Cover, Base, Pedestal, 7709
10*	795-0284100-4199 SS90 Hole Cover Label
11*	497-0505842 Paint Spec - Dark White Color
12*	497-0508034 Paint Specifications for Powder Coat Mid-Silver
13*	497-0505844 Self Serv 90 London Kiosk Pain Color Cross Reference Document
14*	497-0423108 Instructions - Kit (Reference Sheet)
15*	497-0510631 Instructions Sheet to Install 795-0231600/1699 - SS90 Hole Cover



**Note:** Items marked with an asterisk (\*) are not shown in the image.

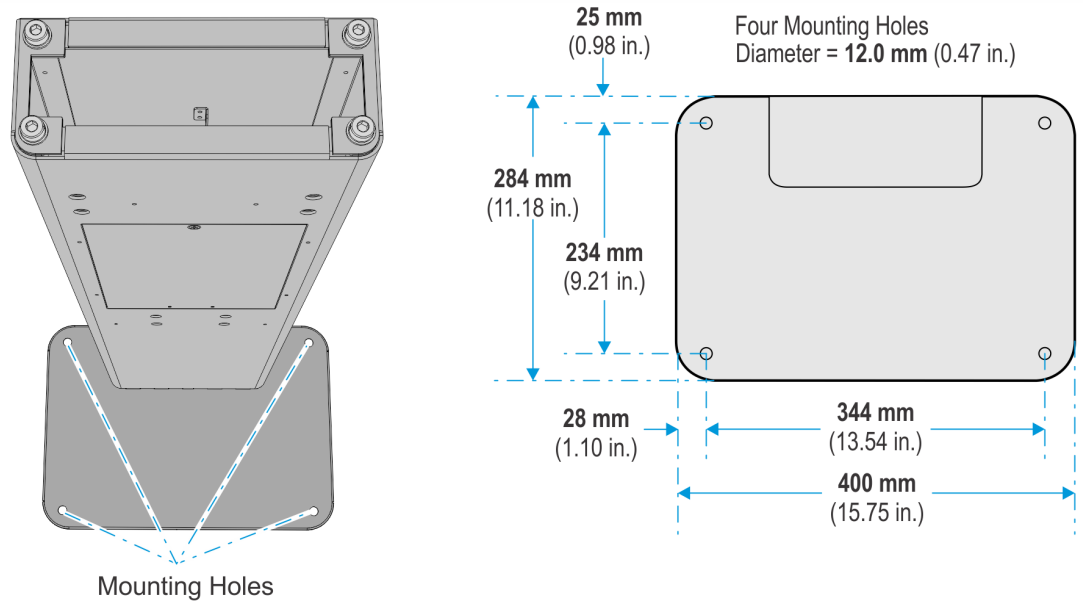
## Installation Procedures

1. Determine the location of the Pedestal. Verify that this position permits access to the AC Power Receptacle and the LAN Cable. Also, make sure that there is necessary access and service clearance. Refer to the NCR SelfServ™ 90 (7709) Site Preparation Guide.
2. Remove the Pedestal Base Cover by removing the screws (4) that secures it to the base.





3. Mark the anchor holes (4) in the pedestal base on the floor. Remove the pedestal.



Recommended Bolt Specification:

Size: **M10** (3/8 in.) Socket Cap Bolts

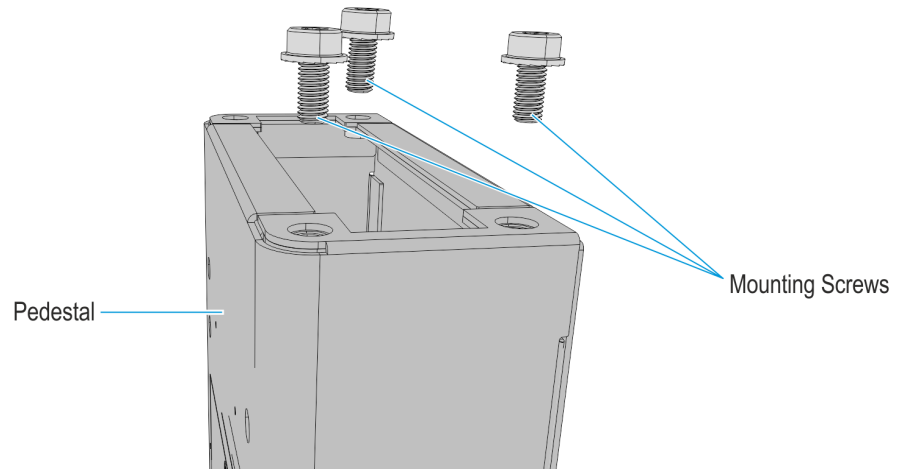
Length: **76 mm** (3 in.)

Allen Key Size for Bolt Head: **8mm** (5/16 in.)

CCP-60896

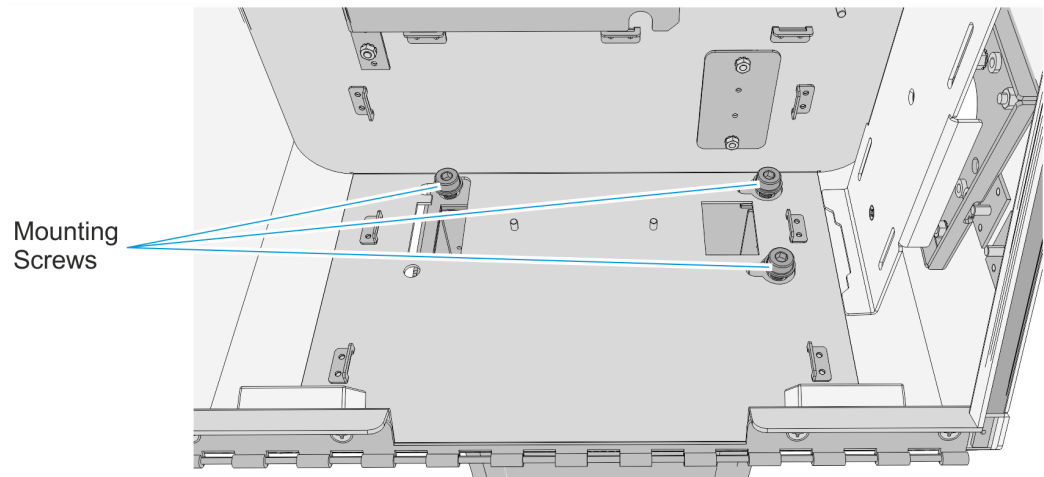
4. Drill the holes (4) in the floor as needed for the anchors being used.
5. Position the pedestal back in the installed location and install the four anchors. Make sure that the anchors do not extend up above the top of the Pedestal Base more than **12.7 mm** (0.5 in.).
6. Install the Pedestal Base Cover and secure it with screws (4).

7. Install the Mounting Screws (3) on the pedestal. Do not tighten the Mounting Screws, leave room for the kiosk cabinet to slide under the screw heads or lock-washers. Use a **6 mm** (15/64 in.) Allen Key to drive the screws.



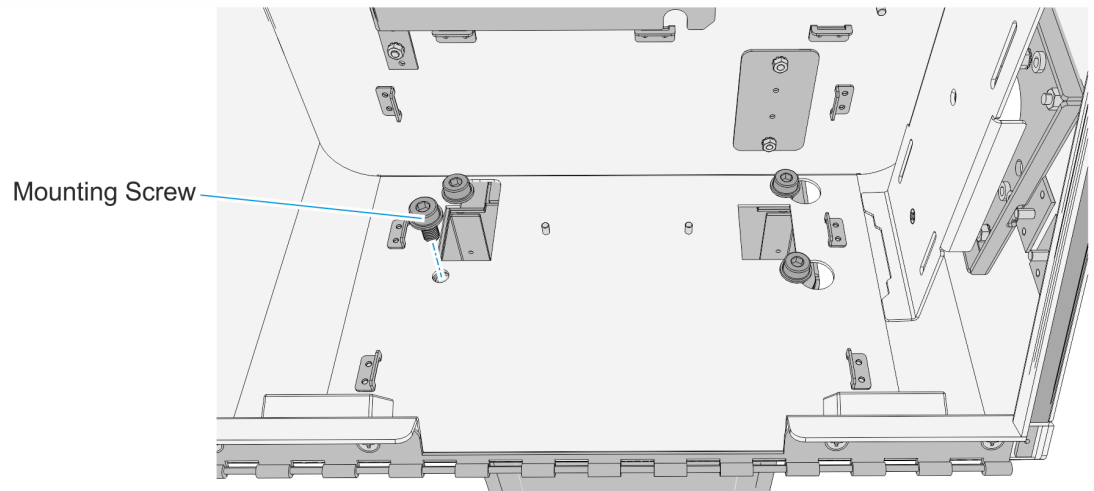
60895

8. Position the kiosk on top of the pedestal with the Mounting Screws (3) extending up through the keyholes in the bottom of the kiosk cabinet. Slide the kiosk to the right.



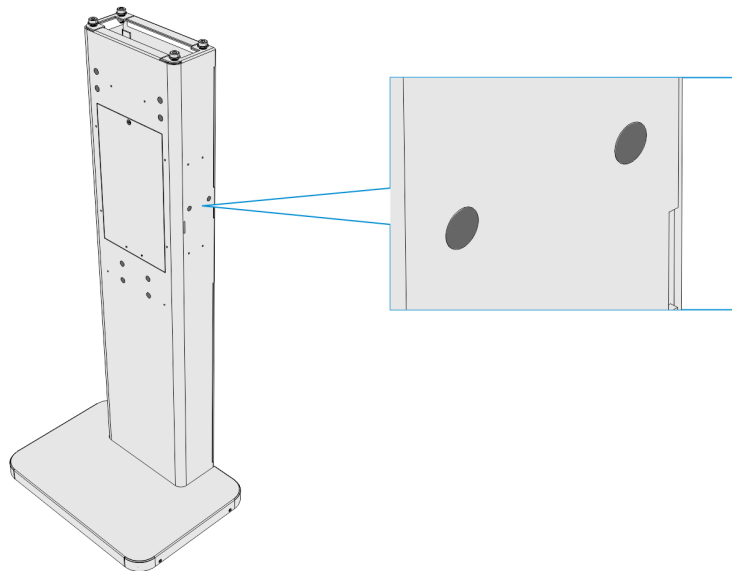
60894

9. Install Mounting Screw (1) through the remaining mounting hole. Tighten all Mounting Screws (4).



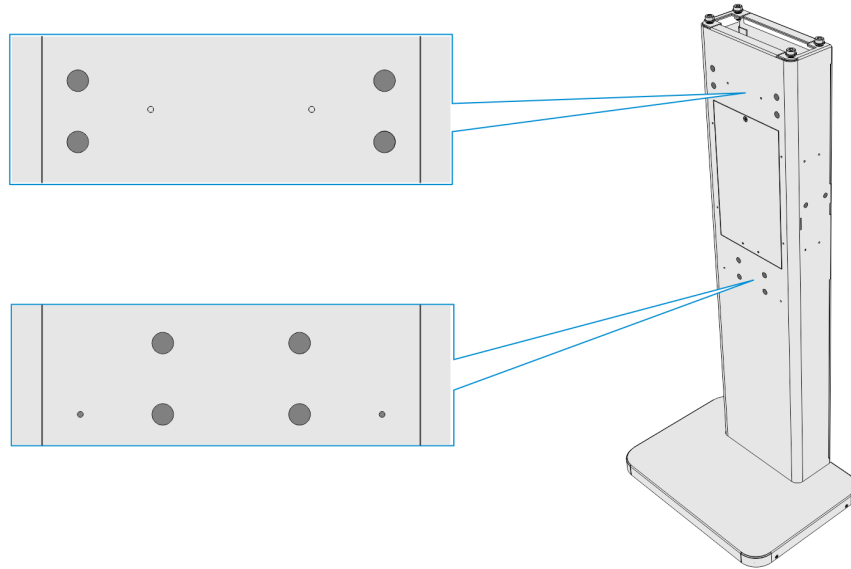
60893

10. Cover the following mounting holes using the SS90 Hole Cover Label if there are no side shelves, front shelf, or bagger to be installed to the pedestal.
  - a. **Side mounting holes** - cover holes if the side shelf kits, 7709-K432 (Narrow Shelf) or 7709-K433 (Wide Shelf), will not be installed to the pedestal. There are two (2) mounting holes on the left and right side of the pedestal.



CCP-60871

- b. **Front mounting holes** - cover holes if kit 7709-K434 (Bagger with Shelf) will not be installed. There are four (4) mounting holes each for the bagger and shelf.



CCP-60872