

KIT INSTRUCTIONS

SelfServ™ 90 Wall Mount (Dark White)



7709-K431
Issue A



The product described in this book is a licensed product of NCR Corporation.

NCR is a registered trademark of NCR Corporation. NCRSelfServ Checkout is a trademark of NCR Corporation in the United States and/or other countries. Other product names mentioned in this publication may be trademarks or registered trademarks of their respective companies and are hereby acknowledged.

The terms HDMI and HDMI High-Definition Multimedia Interface, and the HDMI Logo are trademarks or registered trademarks of HDMI Licensing LLC in the United States and other countries.

Where creation of derivative works, modifications or copies of this NCR copyrighted documentation is permitted under the terms and conditions of an agreement you have with NCR, NCR's copyright notice must be included.

It is the policy of NCR Corporation (NCR) to improve products as new technology, components, software, and firmware become available. NCR, therefore, reserves the right to change specifications without prior notice.

All features, functions, and operations described herein may not be marketed by NCR in all parts of the world. In some instances, photographs are of equipment prototypes. Therefore, before using this document, consult with your NCR representative or NCR office for information that is applicable and current.

To maintain the quality of our publications, we need your comments on the accuracy, clarity, organization, and value of this book. Please use the link below to send your comments.

EMail: FD230036@ncr.com

Copyright © 2016
By NCR Corporation
Duluth, GA U.S.A.
All Rights Reserved

Revision Record

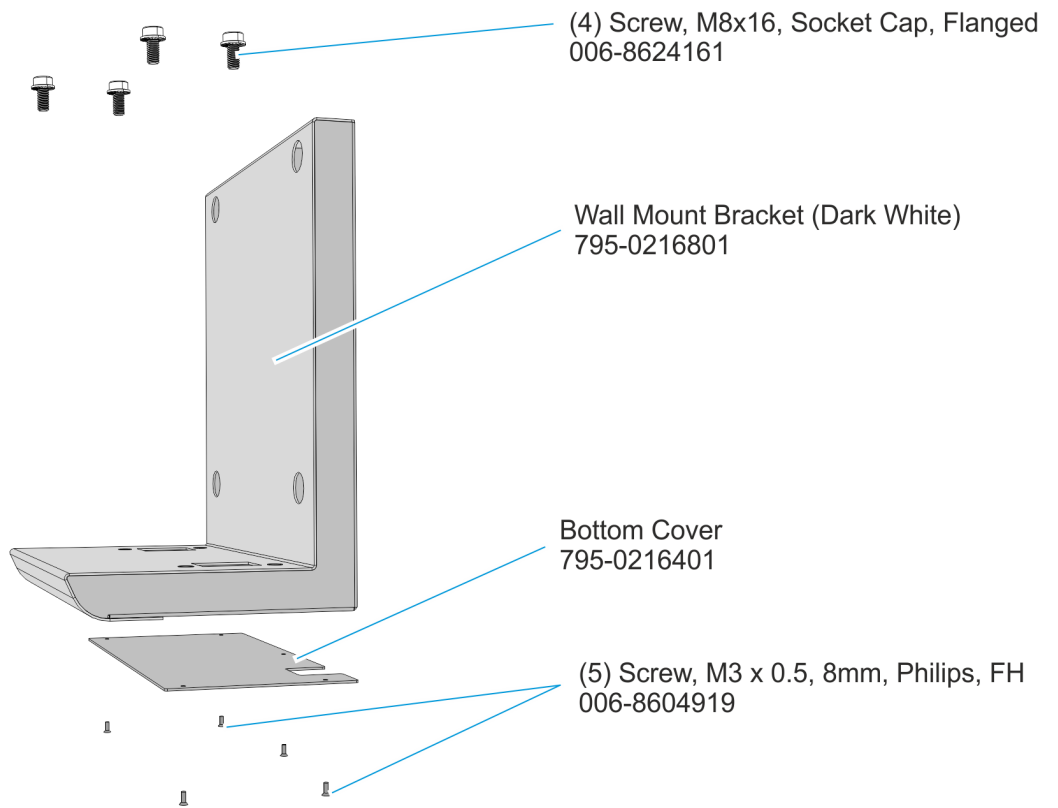
Issue	Date	Remarks
A	Apr 2016	First Issue

Wall Mount (Dark White Color)

Introduction

This kit provides the components to add a wall mount to the NCR SelfServ™ 90 Kiosk.

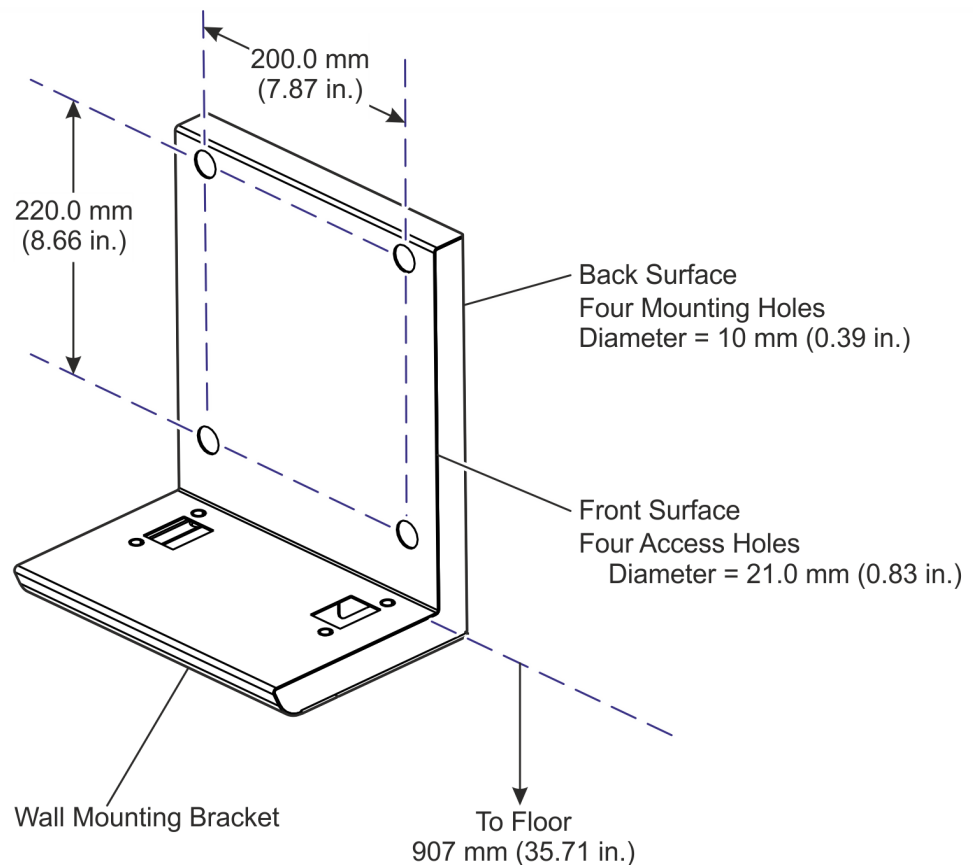
Kit Contents



Installation Procedure

The wall mount bracket is first fastened to the wall then the kiosk is fastened to the wall mount bracket. The AC Power Cord and the LAN Cable go through a hole in the bottom of the kiosk and into the mount bracket; the cables feed toward the back of the bracket and out a hole in the bottom of it.

1. Install the Wall Mount Bracket.

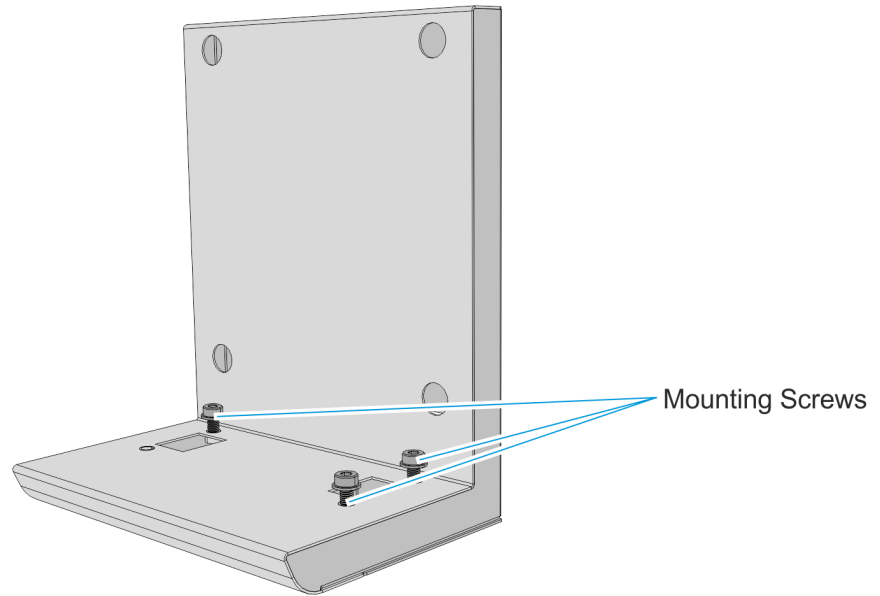


Note: Use 5/16-inch (M8) bolts to secure the Wall Mount Bracket to the wall.

60878

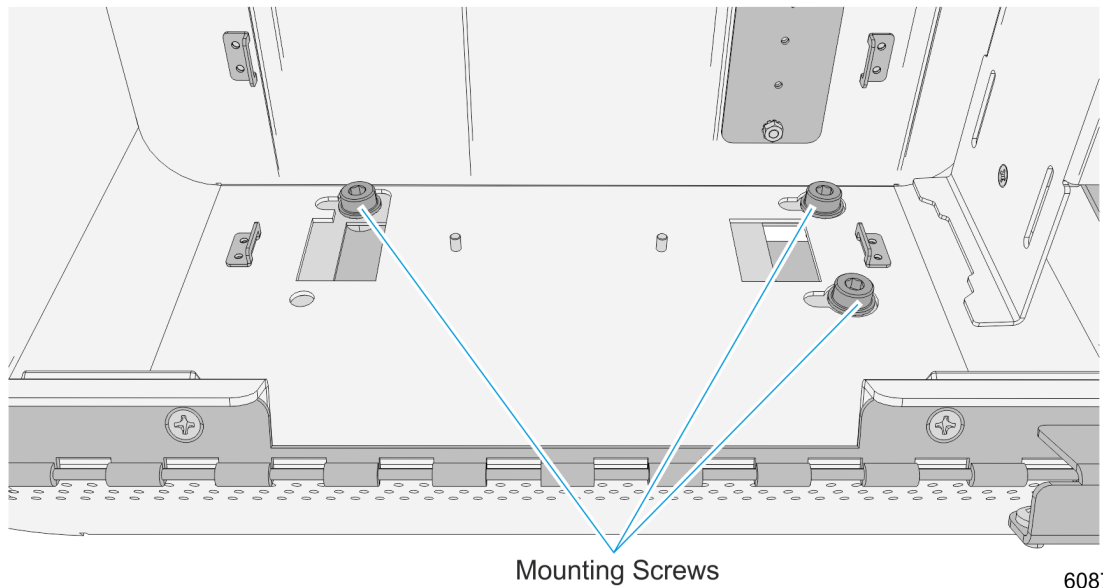
NCR recommends locating the wall mount bracket so that the base of the bracket is 907 mm (35.71 in.) above the floor. Be sure that the mounting is adequate to support the weight of the kiosk: 23.2 kg (51.1 lbs). Also, be sure that the location provides adequate access and service clearance for the kiosk as identified in the *NCR SelfServ™ 90 (7709) Site Preparation Guide*.

2. Install the Mounting Screws (3) on the right side of the bracket. Do not tighten the Mounting Screws, leave room for the kiosk cabinet to slide under the screw heads or lock-washers.



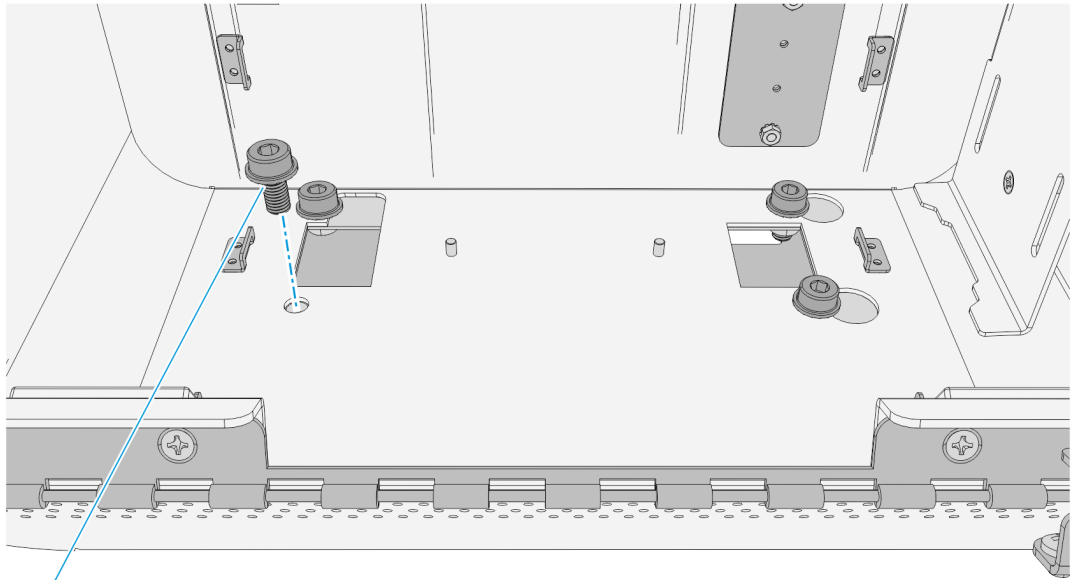
60877

3. Position the kiosk on the bracket with the Mounting Screws (3) extending up through the keyholes in the bottom of the kiosk cabinet. Slide the kiosk to the right.



60876

4. Install the Mounting Screws (1) through the remaining mounting hole. Tighten all mounting screws.



Mounting Screw

60875