

# Kit Instructions

Ingenico/Verifone PIN Pad Cradle

7709-K500  
Issue A



---

The product described in this document is a licensed product of NCR Corporation.

NCR is a registered trademark of NCR Corporation. NCR SelfServ™ is a trademark of NCR Corporation in the United States and/or other countries. Other product names mentioned in this publication may be trademarks or registered trademarks of their respective companies and are hereby acknowledged.

The terms HDMI and HDMI High-Definition Multimedia Interface, and the HDMI Logo are trademarks or registered trademarks of HDMI Licensing LLC in the United States and other countries.

Where creation of derivative works, modifications or copies of this NCR copyrighted documentation is permitted under the terms and conditions of an agreement you have with NCR, NCR's copyright notice must be included.

It is the policy of NCR Corporation (NCR) to improve products as new technology, components, software, and firmware become available. NCR, therefore, reserves the right to change specifications without prior notice.

All features, functions, and operations described herein may not be marketed by NCR in all parts of the world. In some instances, photographs are of equipment prototypes. Software screen images are representative, and in some cases, may not match a customer's installed software exactly. Therefore, before using this document, consult with your NCR representative or NCR office for information that is applicable and current.

To maintain the quality of our publications, we need your comments on the accuracy, clarity, organization, and value of this book. Please use the link below to send your comments.

Email: [FD230036@ncr.com](mailto:FD230036@ncr.com)

Copyright © 2020  
By NCR Corporation  
864 Spring St. NW  
Atlanta, GA 30308  
United States  
All Rights Reserved

## Revision Record

Issue	Date	Remarks
A	Apr 2020	First Issue



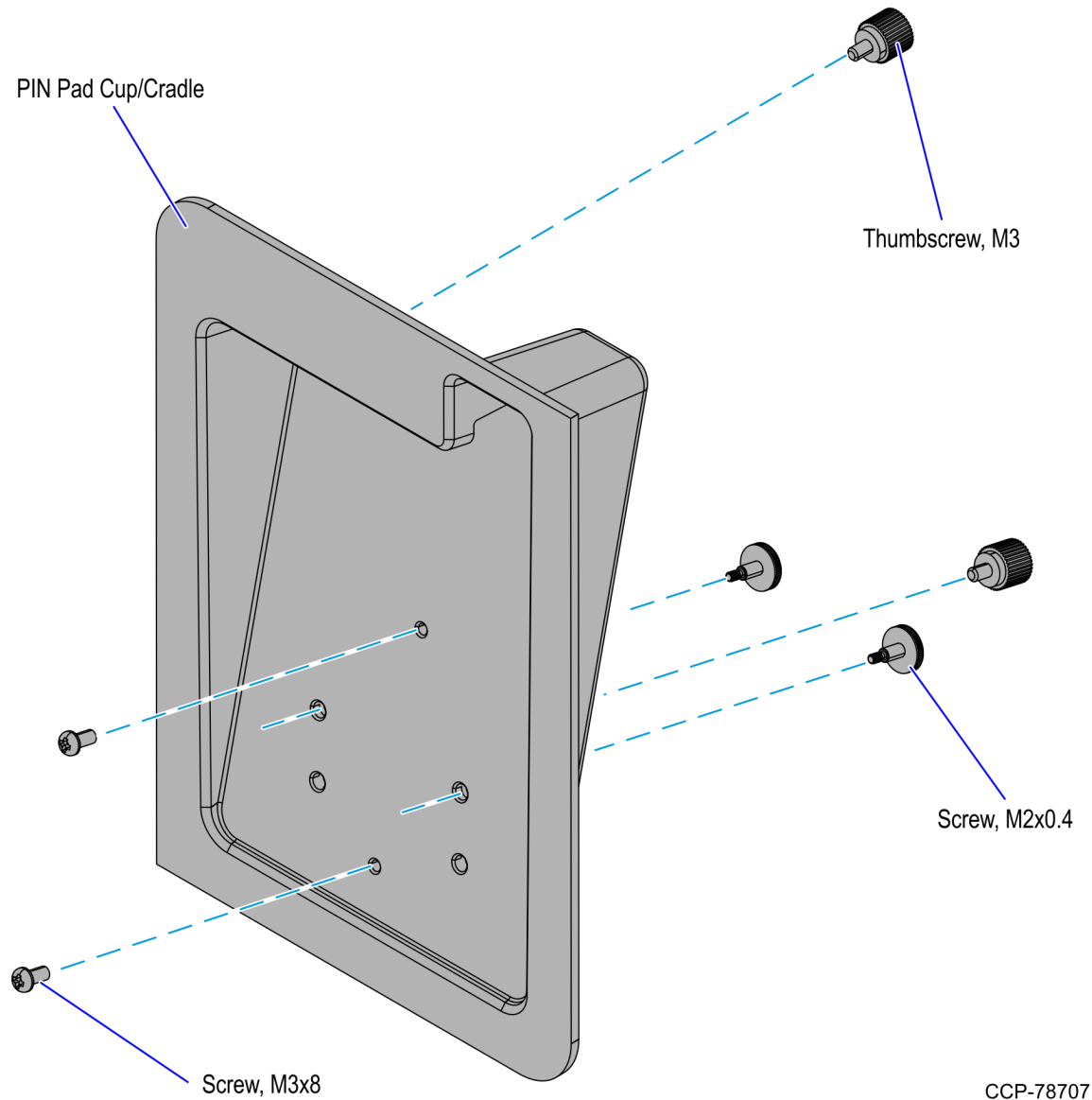
---

# Ingenico/Verifone PIN Pad Cradle

---

This publication provides procedures on how to use the PIN Pad Cradle kit to install Ingenico IPP320/350 and Verifone VX805/820 PIN Pads on an NCR SelfServ™ 90 (7709) Kiosk.

# Kit Contents



Part Number	Description
497-0528092	Kit - Ingenico/Verifone PIN Pad
*	497-0504489 Cable, IPP350, Powered RS-232
	497-0513281 Cup, PIN Pad, 7709
	006-8624327 Screw, M3x8, Plastite, Phil, Pan, Steel, Zinc Plated (2 pcs)
	006-8624625 Screw, M3, Thumbscrew, Steel, Zinc Plated (2 pcs)
	497-0508839 Screw, M2x0.4, 5mm Length, 3 mm Dia. Shoulder, Phillips (2 pcs)

Part Number		Description
*	497-0423108	Instructions-Kit (Reference Sheet)
*	497-9999627	Bag, 12" x 12" x 24", 2 mil Gusseted Poly
*	006-8623359	Bag, 2x2 Zip Lock
*	497-9999671	Carton, 10.5 x 8.25 x 2.5 in. 550 Series w/ Convuluted Foam

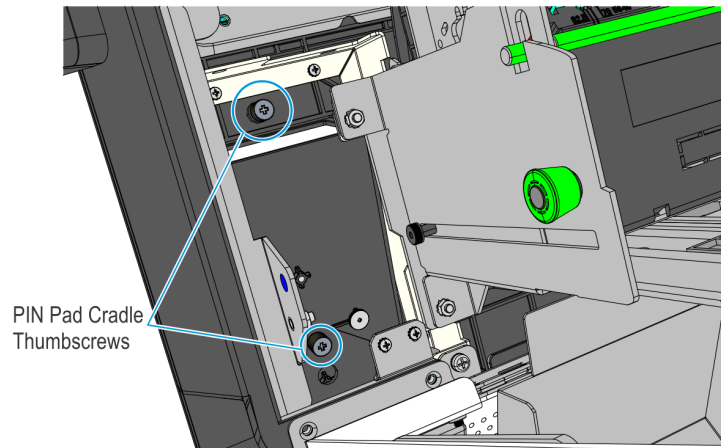
\* Items marked with an asterisk are not called out on the image.

# Installation Procedures

 **Warning:** Disconnect the AC power cord before disassembling the Kiosk.

Installing the PIN Pad Cradle involves the following procedures:

1. Remove the PIN Pad Blank Plate.
  - While holding the PIN Pad Blank Plate from outside the kiosk, loosen the two thumbscrews that secure the Blank Plate to the Display Head, and then remove the Blank Plate.



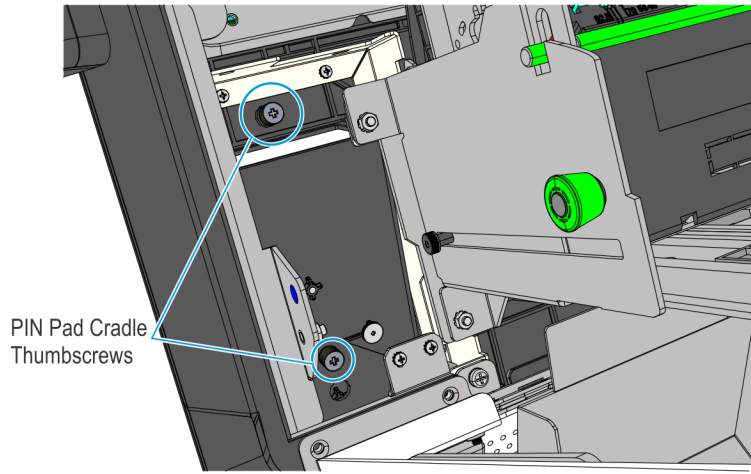
CCP-78706

2. Install the PIN Pad Cradle and the PIN Pad device.
  - [Installing the Ingenico IPP320 or IPP350 PIN Pad](#) on the facing page
  - [Installing the Verifone VX805 or VX820 PIN Pad](#) on page 8



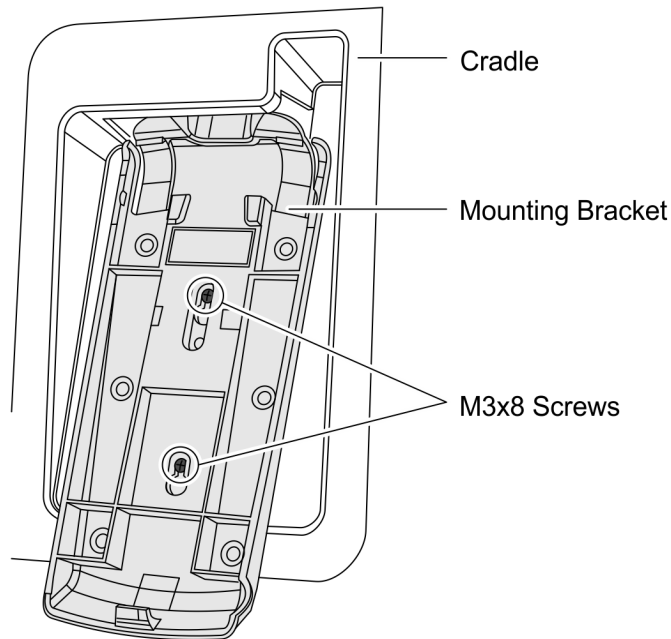
## Installing the Ingenico IPP320 or IPP350 PIN Pad

1. Mount the PIN Pad Cradle on the Display Head and secure with two thumbscrews.



CCP-78706

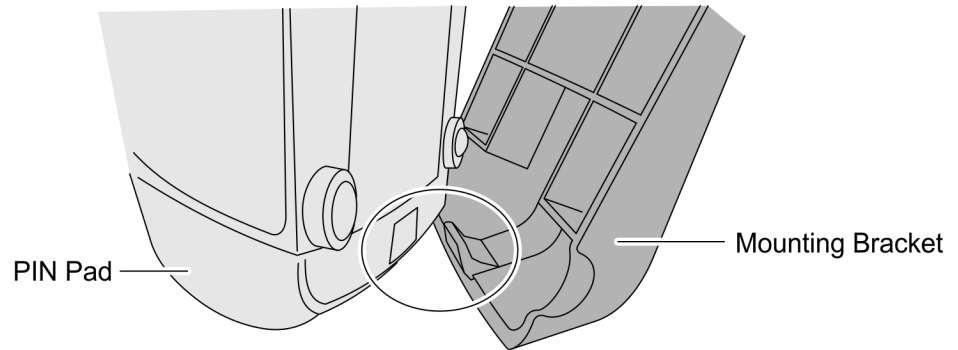
2. Install the PIN Pad Mounting Bracket onto the PIN Pad Cradle.
  - a. Install but do not tighten the two M3x8 screws on the cradle.
  - b. Mount the bracket onto the two screws on the cradle, and then slide the bracket downwards.
  - c. Tighten the two screws to secure the bracket to the cradle.



CCP-78708

3. Connect the PIN Pad Cable to the back of the PIN Pad.
4. Insert the other end of the PIN Pad Cable into the kiosk cabinet through the access hole on the cradle.

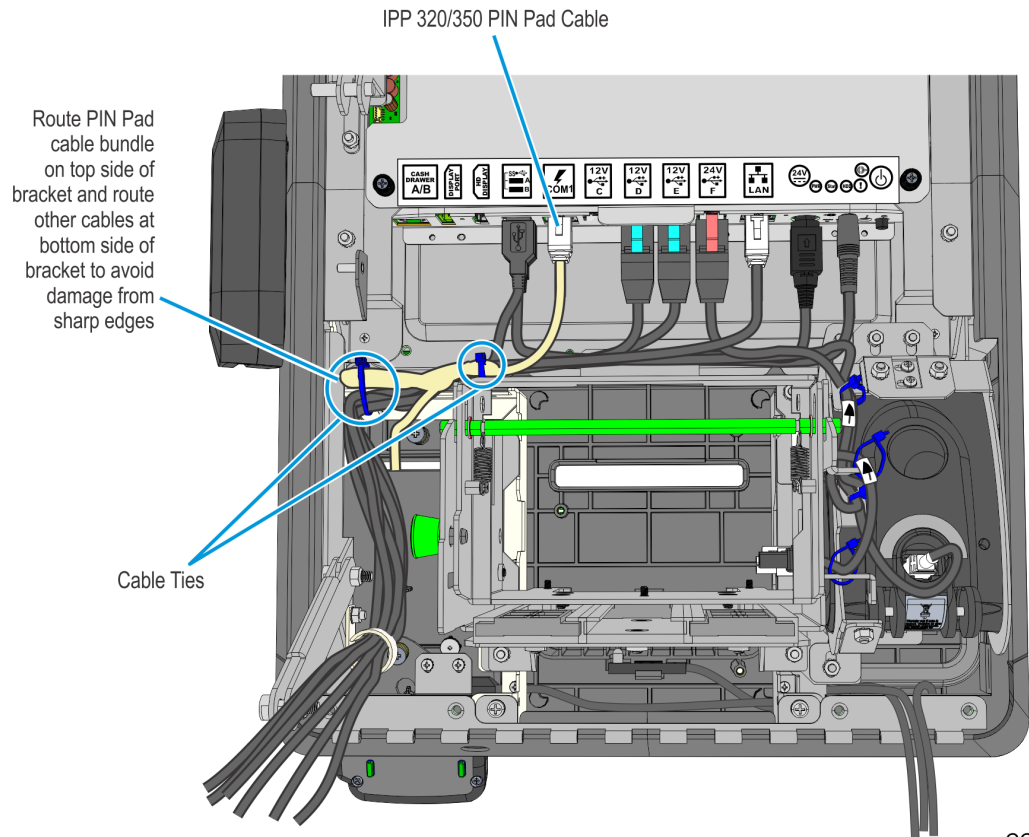
5. Mount the PIN Pad onto its bracket.
  - a. Align and insert the slot on the lower back of the PIN Pad to the tab on the lower portion of the bracket.



CCP-60071

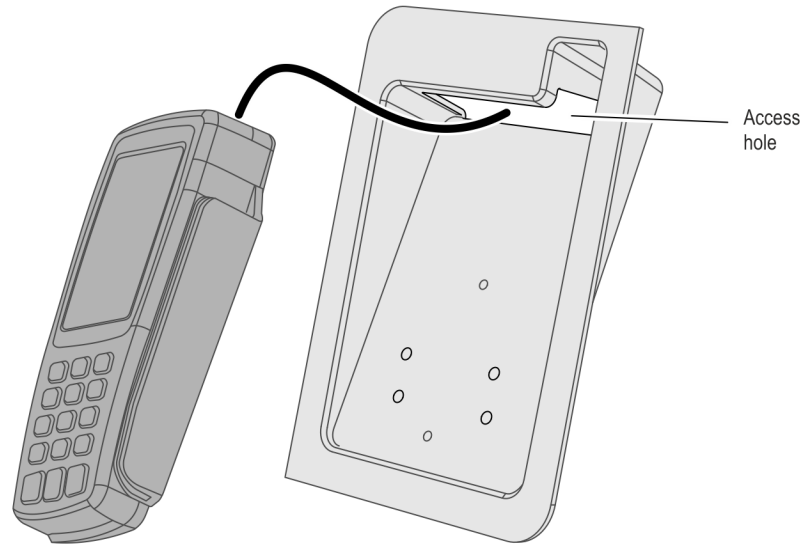
- b. Push the upper portion of the PIN Pad until it snaps to the upper portion of the bracket.

6. Route and connect the PIN Pad Cable inside the kiosk.
  - a. Inside the cabinet, route the PIN Pad Cable toward the motherboard and connect the PIN Pad Cable to the **COM 1** port on the motherboard.
  - b. Bundle the extra length of the PIN pad cable and secure the secure with cable ties, as shown below.



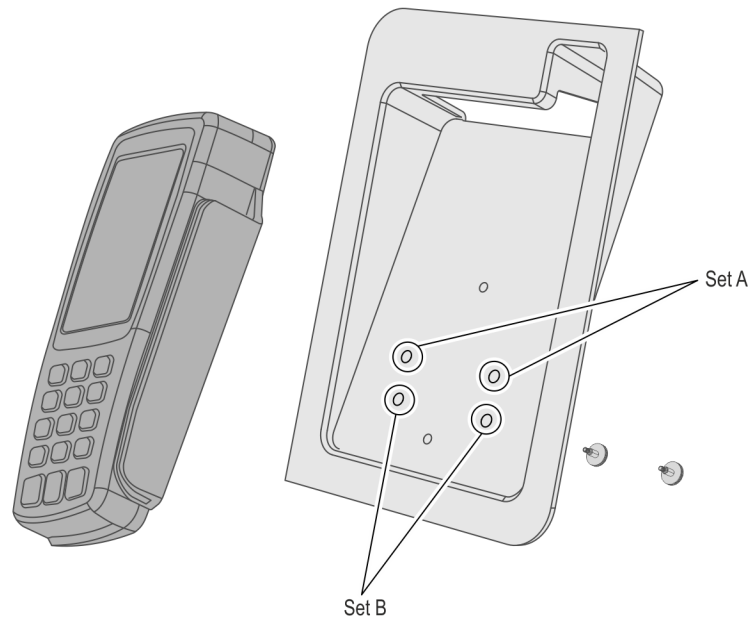
## Installing the Verifone VX805 or VX820 PIN Pad

1. Connect the PIN Pad Cable to the back of the PIN Pad.
2. Route the other end of the PIN Pad Cable through the access hole on the PIN Pad Cradle.



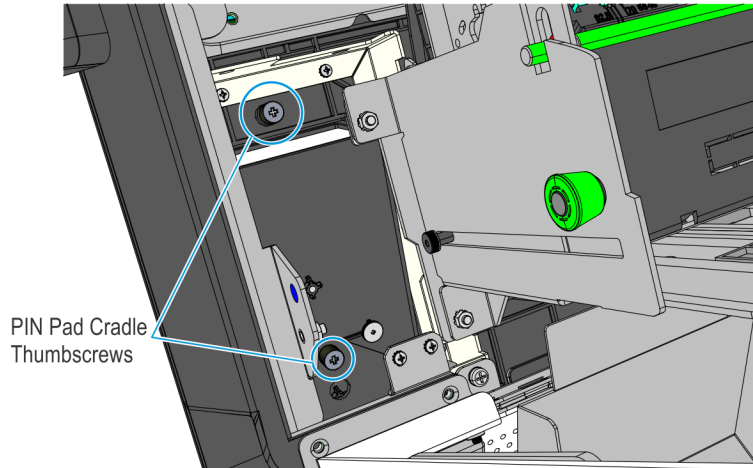
CCP-61344

3. Align the PIN Pad mounting holes with the appropriate mounting holes set on the PIN Pad Cradle, as shown below, and secure the PIN Pad with two M2x0.4 screws.
  - Use *Set A* mounting holes for VX805 PIN Pad.
  - Use *Set B* mounting holes for VX820 PIN Pad.



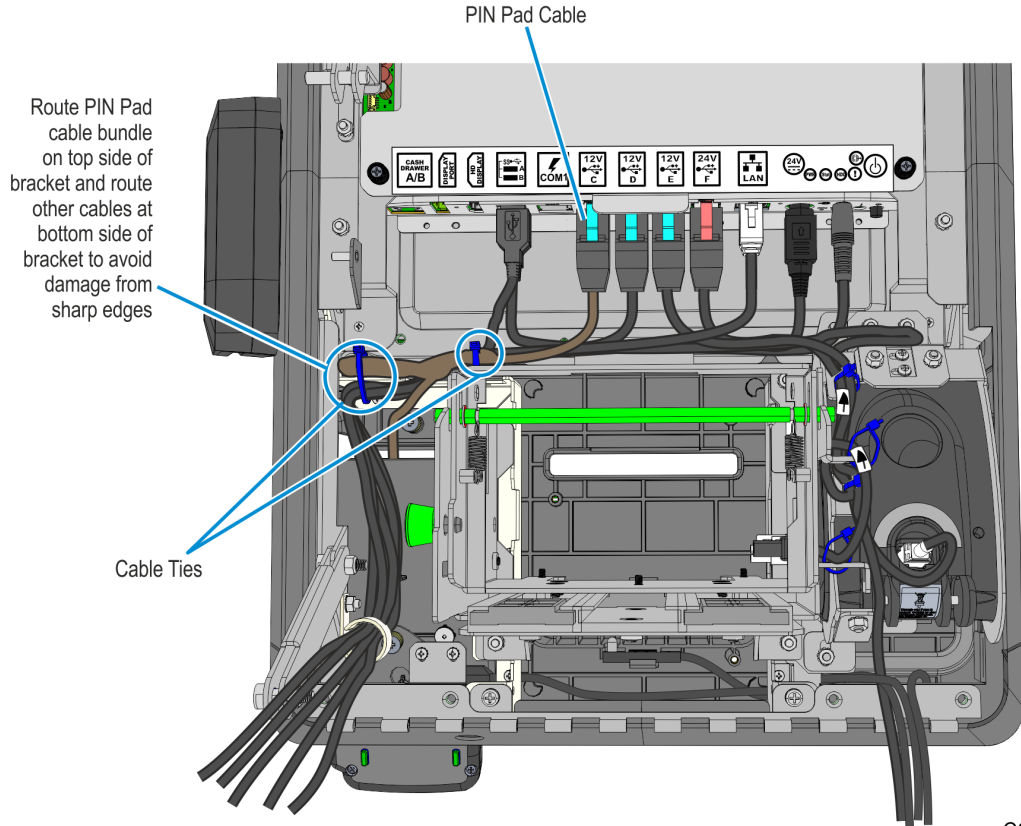
CCP-61346

4. Mount the PIN Pad assembly on the Display Head, and secure the assembly with two thumbscrews.



CCP-78706

5. Route the PIN Pad Cable toward the motherboard and connect the cable connector to the **USB C** USB+12V power port on the motherboard. Cut off the two existing cable ties securing cables on the Display Head, bundle the PIN pad cable together with all the cables, and secure them to the Display Head using two new cable ties.



CCP-73740

