

Kit Instructions

Ingenico Lane 5000 PIN Pad Mount Kit



7709-K504
Issue A



The product described in this document is a licensed product of NCR Corporation.

NCR is a registered trademark of NCR Corporation. NCR SelfServ™ is a trademark of NCR Corporation in the United States and/or other countries. Other product names mentioned in this publication may be trademarks or registered trademarks of their respective companies and are hereby acknowledged.

The terms HDMI and HDMI High-Definition Multimedia Interface, and the HDMI Logo are trademarks or registered trademarks of HDMI Licensing LLC in the United States and other countries.

Where creation of derivative works, modifications or copies of this NCR copyrighted documentation is permitted under the terms and conditions of an agreement you have with NCR, NCR's copyright notice must be included.

It is the policy of NCR Corporation (NCR) to improve products as new technology, components, software, and firmware become available. NCR, therefore, reserves the right to change specifications without prior notice.

All features, functions, and operations described herein may not be marketed by NCR in all parts of the world. In some instances, photographs are of equipment prototypes. Software screen images are representative, and in some cases, may not match a customer's installed software exactly. Therefore, before using this document, consult with your NCR representative or NCR office for information that is applicable and current.

To maintain the quality of our publications, we need your comments on the accuracy, clarity, organization, and value of this book. Please use the link below to send your comments.

Email: FD230036@ncr.com

Copyright © 2019
By NCR Corporation
864 Spring St. NW
Atlanta, GA 30308
United States
All Rights Reserved

Revision Record

Issue	Date	Remarks
A	Jun 2019	First Issue

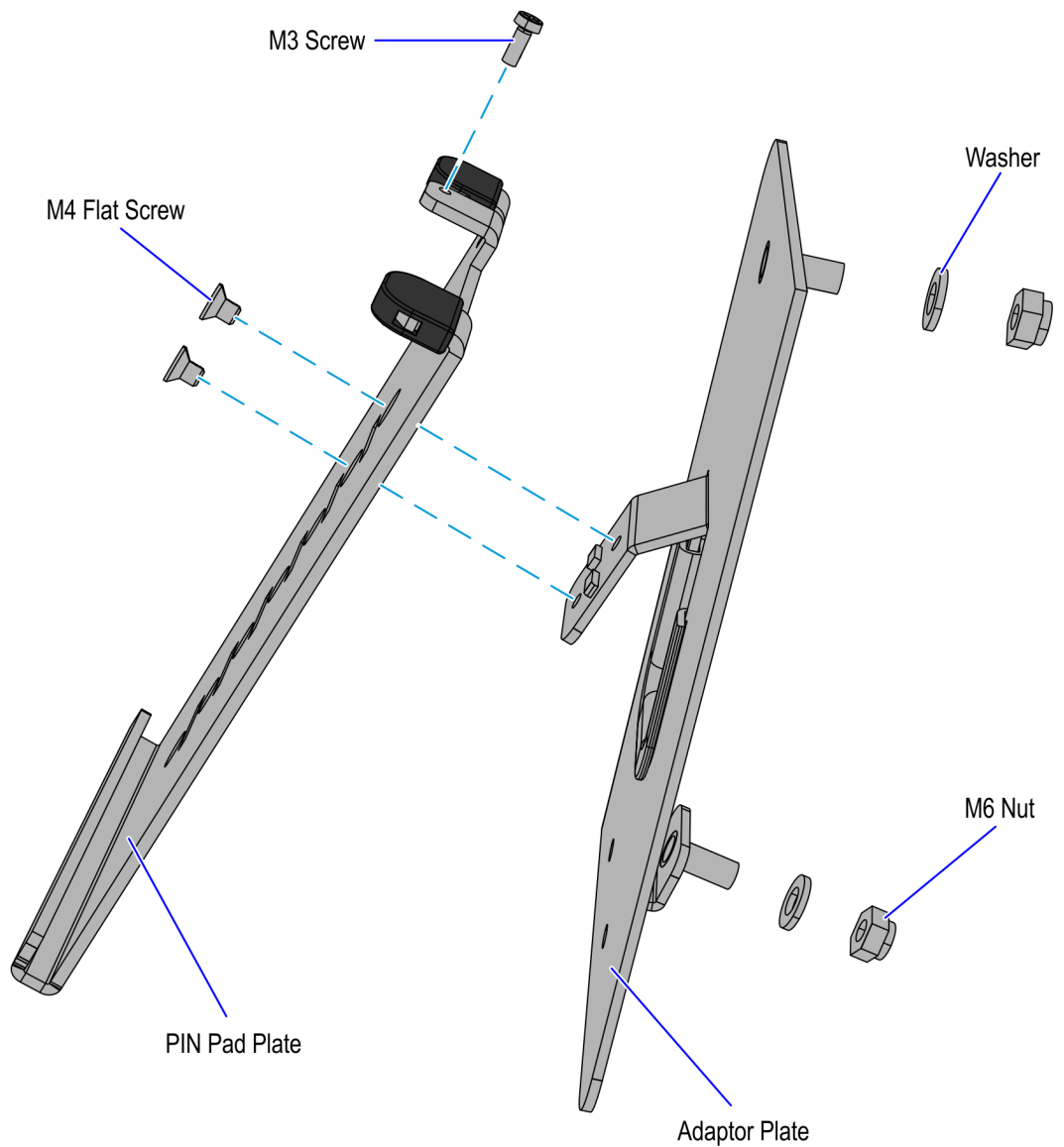
Ingenico Lane 5000 PIN Pad Mount

This publication provides procedures for installing the Ingenico Lane 5000 PIN Pad Mount on an NCR SelfServ™ 90 (7709) Kiosk.



Note: This kit is not compatible with SS90 units that include a pedestal or bagrack arm.


Kit Contents



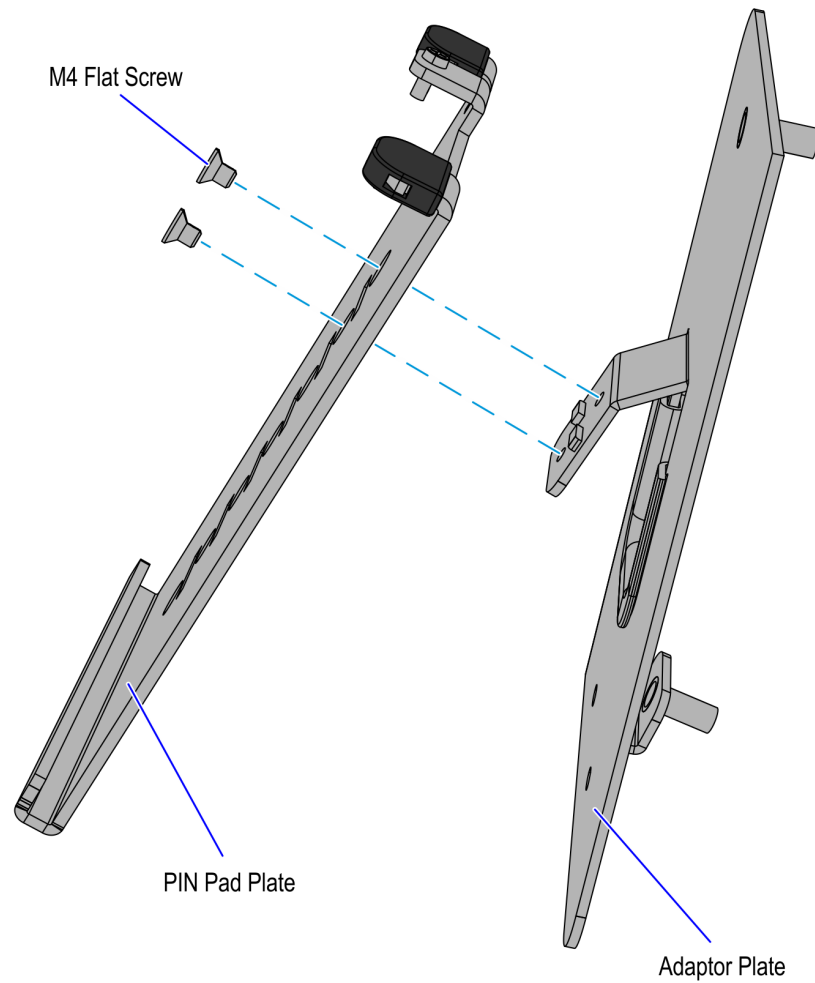
Part Number	Description
497-0525095	7709-K504 Ingenico Lane 5000 PIN Pad Mount
497-0525221	PIN Pad Mount, SpacePole, Ingenico Lane 5000, 7709
* 497-0465037	Serial Adapter Cable, RJ48 (10-pin) to DB9, 0.65 meter
* 497-0524345	Cables, Power and Data, Ingenico Lane 5000

* Items marked with an asterisk are not called out on the image.

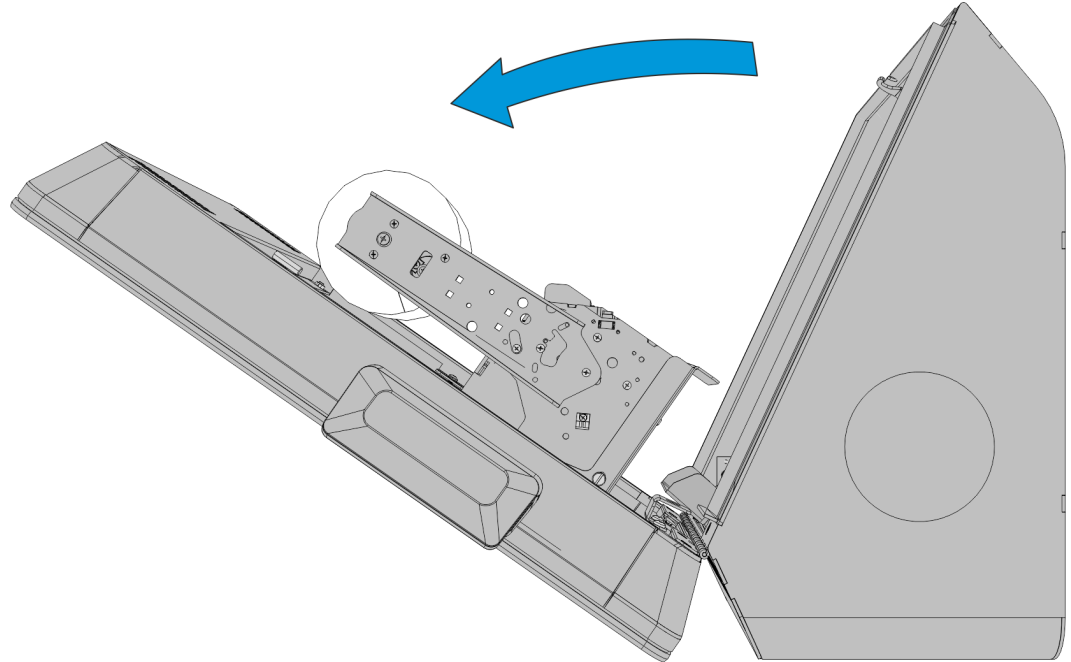
Installation Procedure

 **Warning:** Disconnect the AC power cord before disassembling the Terminal.

1. Position the PIN Pad Plate on the Adaptor Plate, and then secure with two M4 flat screws.

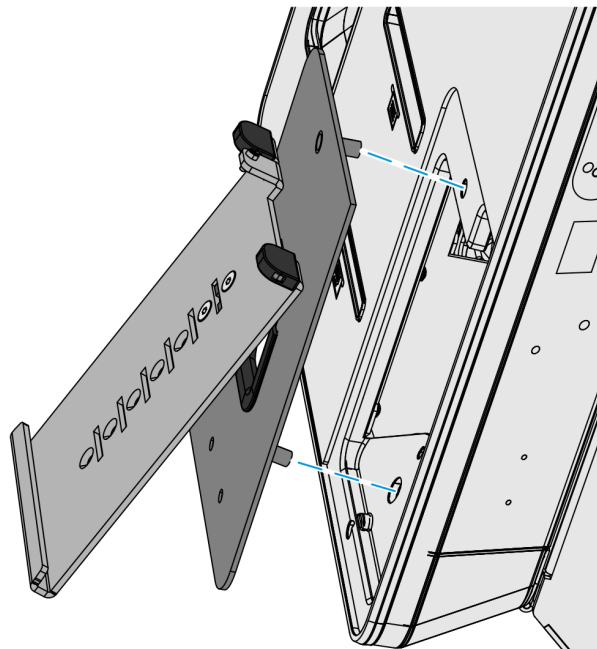


2. Open the front of the kiosk.



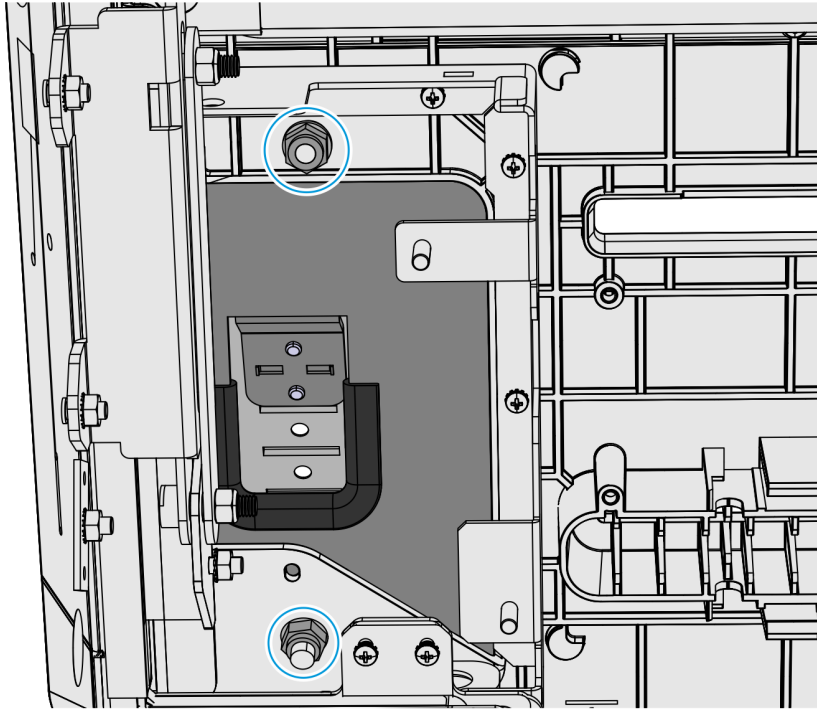
60922

3. Install the PIN Pad mount kit.



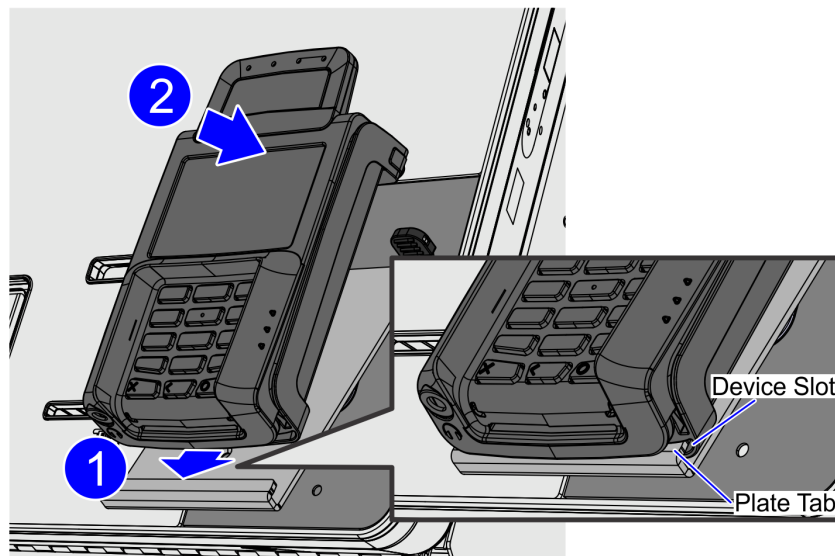
CCP-76609

- Secure with washers (2) and nuts (2).



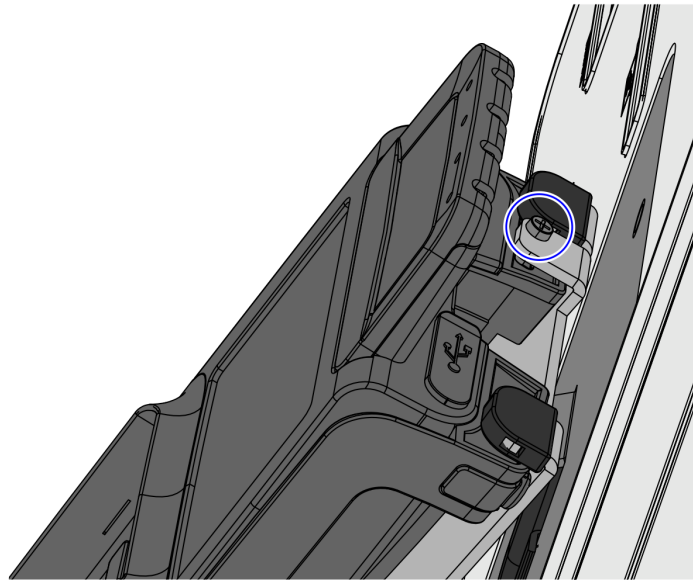
CCP-76610

- Connect the PIN Pad cable to the PIN Pad.
- Route the other end of the PIN Pad cable into the Kiosk cabinet through the access hole on the PIN Pad adaptor plate.
- Mount the PIN Pad to the Mounting Bracket.
 - Insert the PIN Pad into the Device Slot of the MultiGrip Plate tab as shown in the image below.



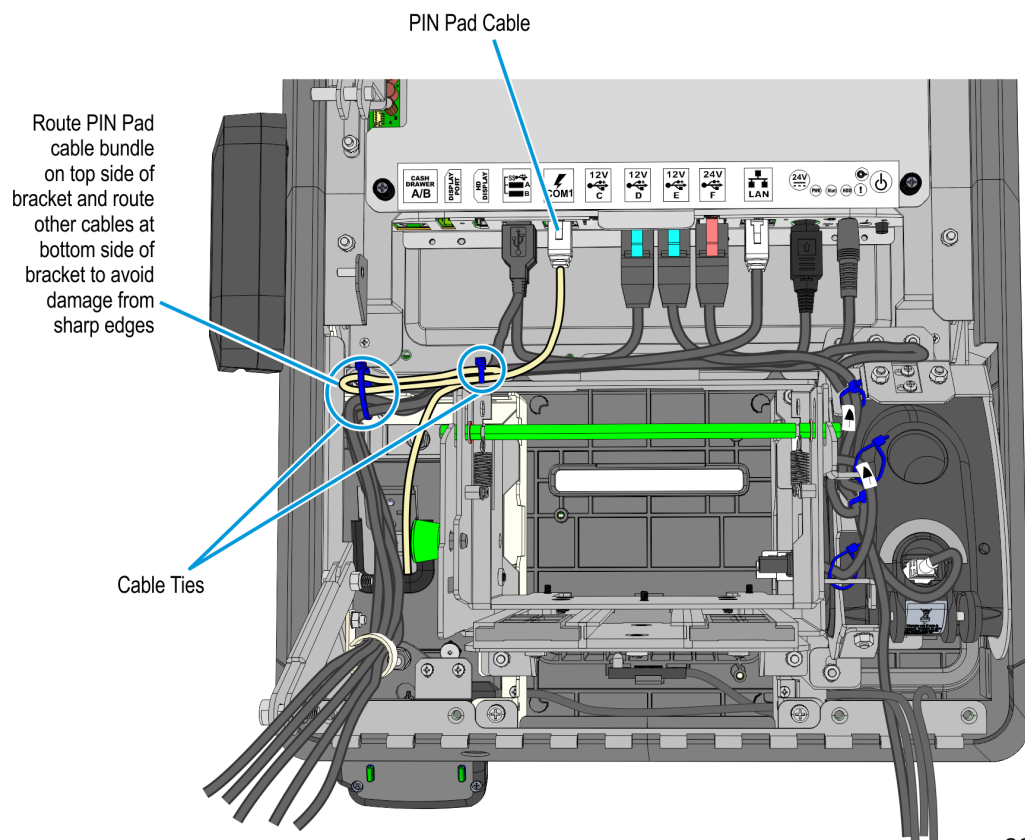
CCP-76611

- b. Tighten the M3 screw to secure the PIN Pad to its Mounting Bracket.



CCP-76612

8. Inside the cabinet, route the PIN Pad Cable upwards toward the motherboard and plug the PIN Pad Cable into the **COM 1** port on the motherboard.
9. Bundle the extra length of the PIN pad cable and secure the bundle with cable ties as shown below.



CCP-76613