

# Kit Instructions

Datalogic 1500i Scanner (R1.2 and R2.0)

7709-K534  
Issue A



---

The product described in this document is a licensed product of NCR Corporation.

NCR is a registered trademark of NCR Corporation. NCR SelfServ™ is a trademark of NCR Corporation in the United States and/or other countries. Other product names mentioned in this publication may be trademarks or registered trademarks of their respective companies and are hereby acknowledged.

The terms HDMI and HDMI High-Definition Multimedia Interface, and the HDMI Logo are trademarks or registered trademarks of HDMI Licensing LLC in the United States and other countries.

Where creation of derivative works, modifications or copies of this NCR copyrighted documentation is permitted under the terms and conditions of an agreement you have with NCR, NCR's copyright notice must be included.

It is the policy of NCR Corporation (NCR) to improve products as new technology, components, software, and firmware become available. NCR, therefore, reserves the right to change specifications without prior notice.

All features, functions, and operations described herein may not be marketed by NCR in all parts of the world. In some instances, photographs are of equipment prototypes. Software screen images are representative, and in some cases, may not match a customer's installed software exactly. Therefore, before using this document, consult with your NCR representative or NCR office for information that is applicable and current.

To maintain the quality of our publications, we need your comments on the accuracy, clarity, organization, and value of this book. Please use the link below to send your comments.

Email: [FD230036@ncr.com](mailto:FD230036@ncr.com)

Copyright © 2020  
By NCR Corporation  
864 Spring St. NW  
Atlanta, GA 30308  
United States  
All Rights Reserved

---

## Revision Record

Issue	Date	Remarks
A	Sep 2020	First Issue



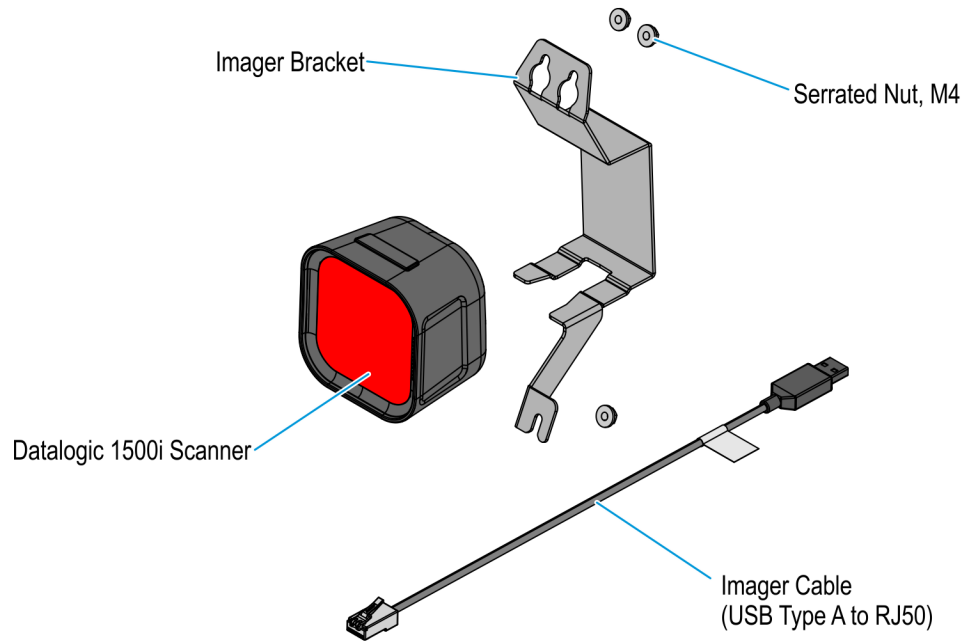
---

# Datalogic 1500i Scanner (R1.2 and R2.0)

---

This publication provides procedures for upgrading the NCR SelfServ™ 90 (7709) Kiosk R1.2 and R2.0 Imaging Scanner from Honeywell 7580G to Datalogic 1500i.

# Kit Contents



CCP-79488

Part Number	Description
497-0528577	Kit - Datalogic 1500i Scanner, R2.1
497-0528580	Scanner, Datalogic Magellan 1500i with Base Cover, Black
497-0528564	Cable, USB Type A to RJ50, Magellan 1500i Imager, 410mm
497-0528525	Bracket, Imager, 7709
009-0007087	Serrated Nut, M4, Self Locking (3 pcs)
* 006-8615143	Cable Tie, 142 mm x 3.6 mm
* 006-8623359	Bag, 2x2 Zip Lock
* 006-8624019	Bag - Poly 13" x 16" 2 Mil, Non-sealable
* 497-0423108	Instructions - Kit (Reference Sheet)
* 497-0504199	Carton Pack - 554 Series, 12" x 10" x 6" - Corrugated with convoluted foam


\* Items marked with an asterisk are not called out on the image.

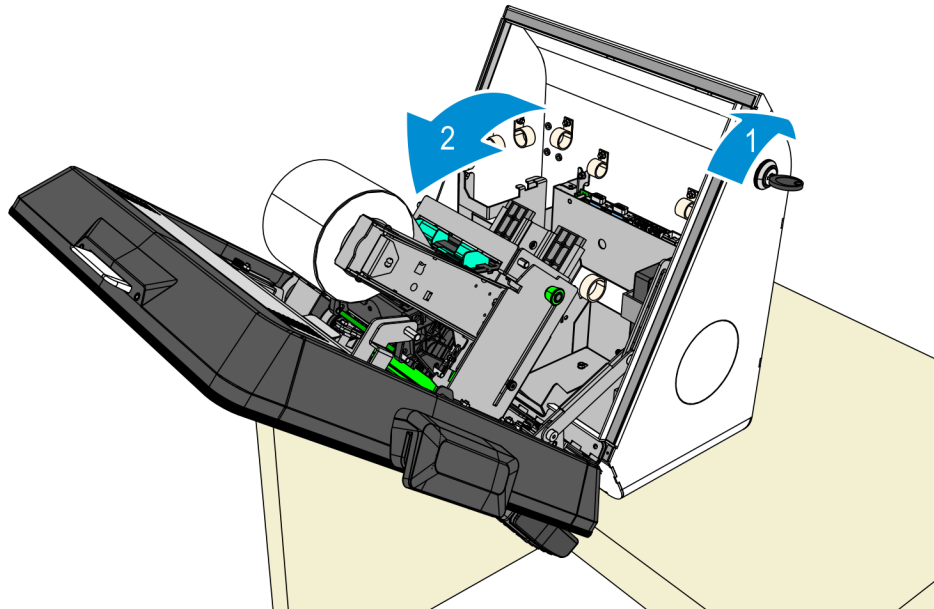
# NCR 770g R1.2 Installation Procedure

This section provides the installation procedure for NCR SelfServ 90 Kiosks with PID 7709-2200-8090.

 **Warning:** Disconnect the AC power cord before disassembling the kiosk.

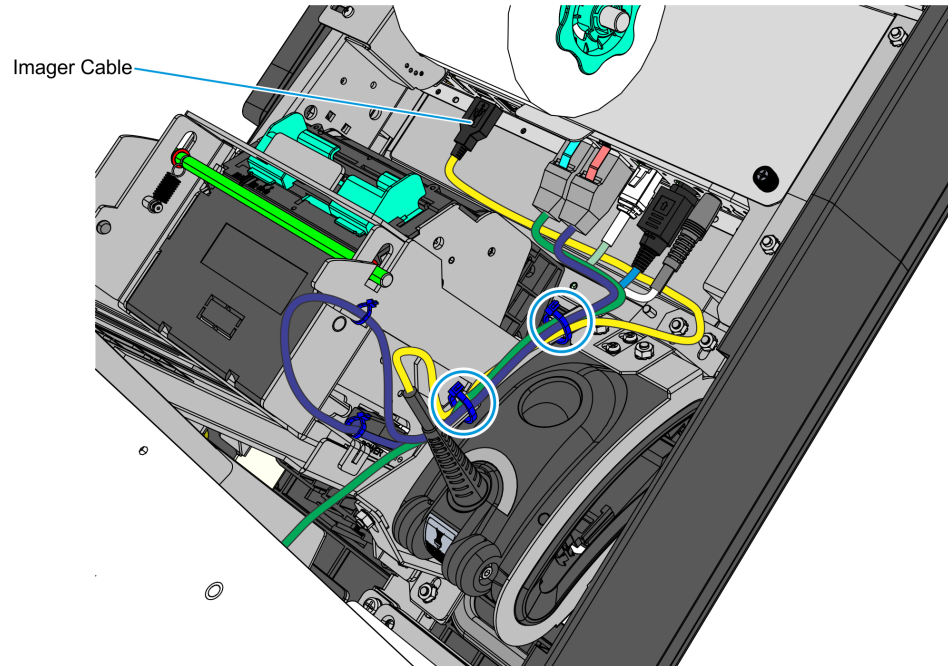
1. Shutdown and power off the terminal. Disconnect the Kiosk AC Power Cable from the outlet.
2. To open the kiosk, insert the key into the lock at the right-hand side of the kiosk, turn the key clockwise, and carefully open the front of the kiosk.

 **Caution:** Do NOT abruptly open and release the front of the kiosk. Hold and support the front of the kiosk until fully extended.



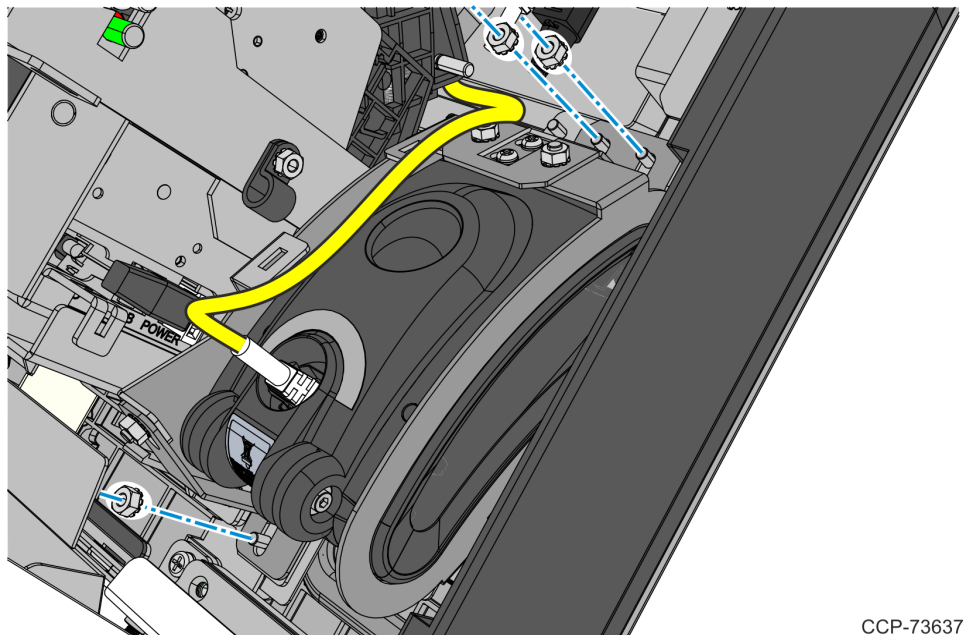
CCP-73618

3. Remove the Honeywell 7580G Imaging Scanner assembly from the kiosk.
  - a. Disconnect the Imaging Scanner Cable from the motherboard, and cut off the cable ties securing the cables routed on the Imaging Scanner bracket.



CCP-79499

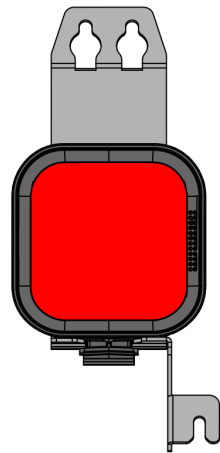
- b. Remove the three nuts securing the Imaging Scanner to the kiosk and then lift the Imaging Scanner out of its mounting area.



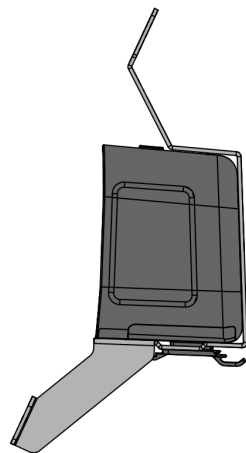
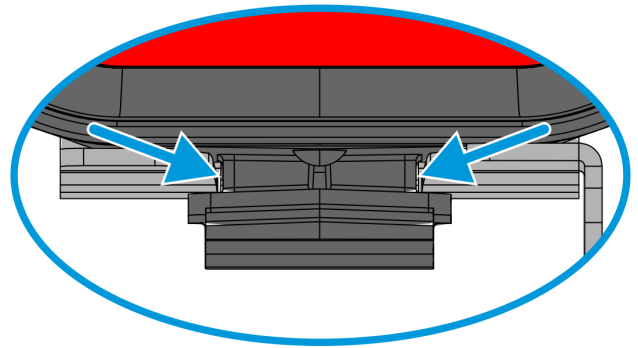
CCP-73637



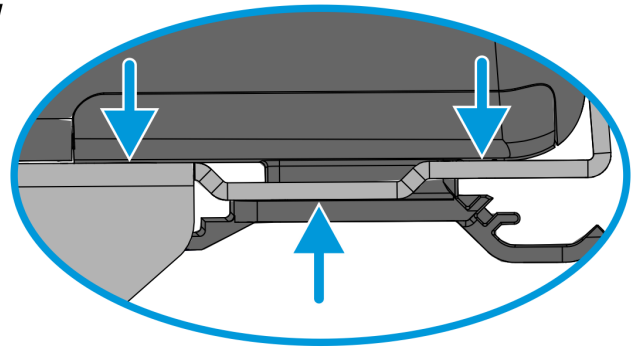
4. Install the Datalogic 1500i Imaging Scanner assembly.
  - a. Mount the Imaging Scanner onto the Imager bracket. Ensure that it sits tightly into the slot, as shown in the following image.



Front View

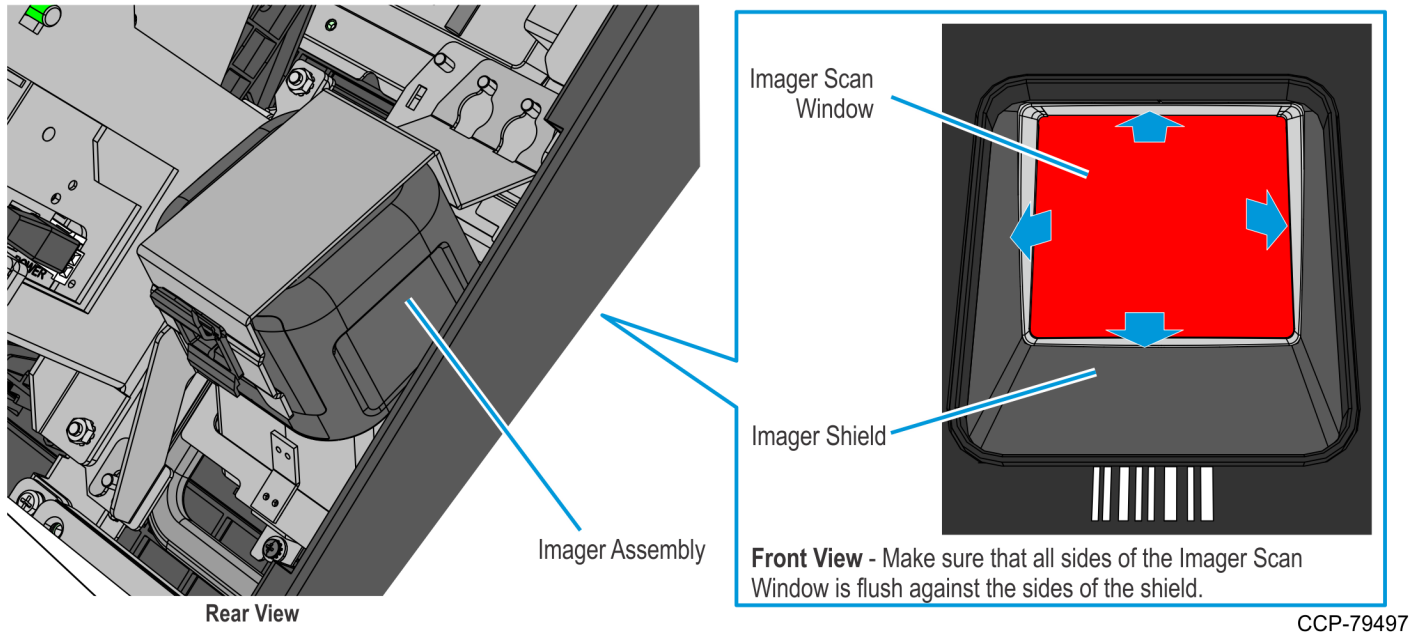


Side View

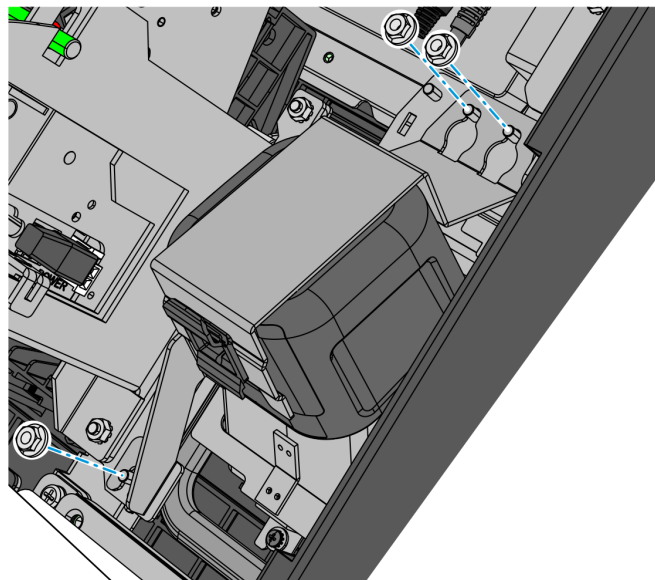


- b. Mount the Imaging Scanner assembly over the Imager Shield.

**! Important:** On the front side of the fascia, make sure that all sides of the Imager Scan Window is flush against the sides of the Imager Shield. Adjust the alignment of the Imager accordingly.

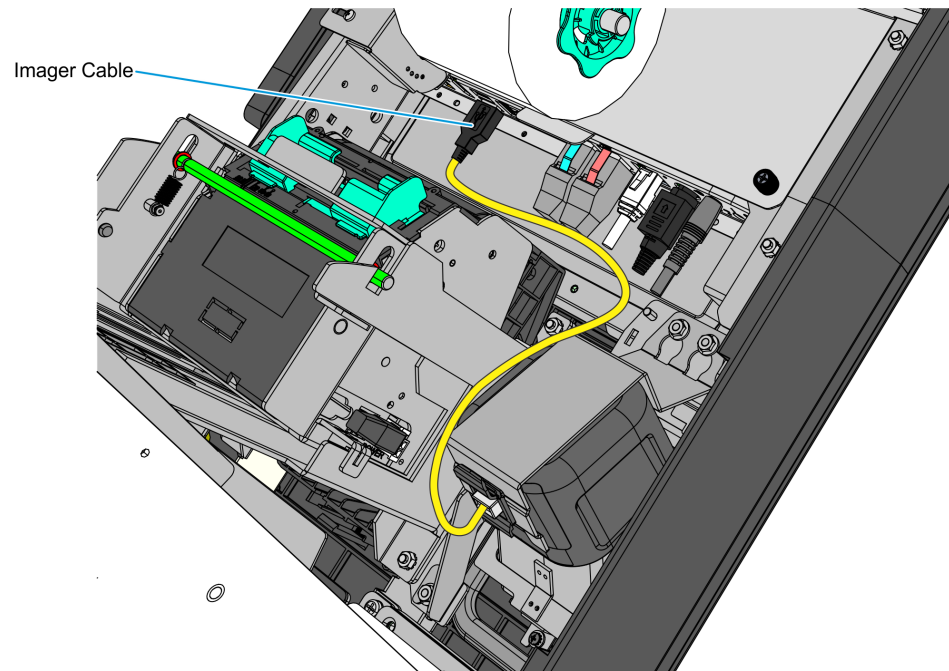


- c. Secure the Imaging Scanner assembly to the kiosk using three nuts.

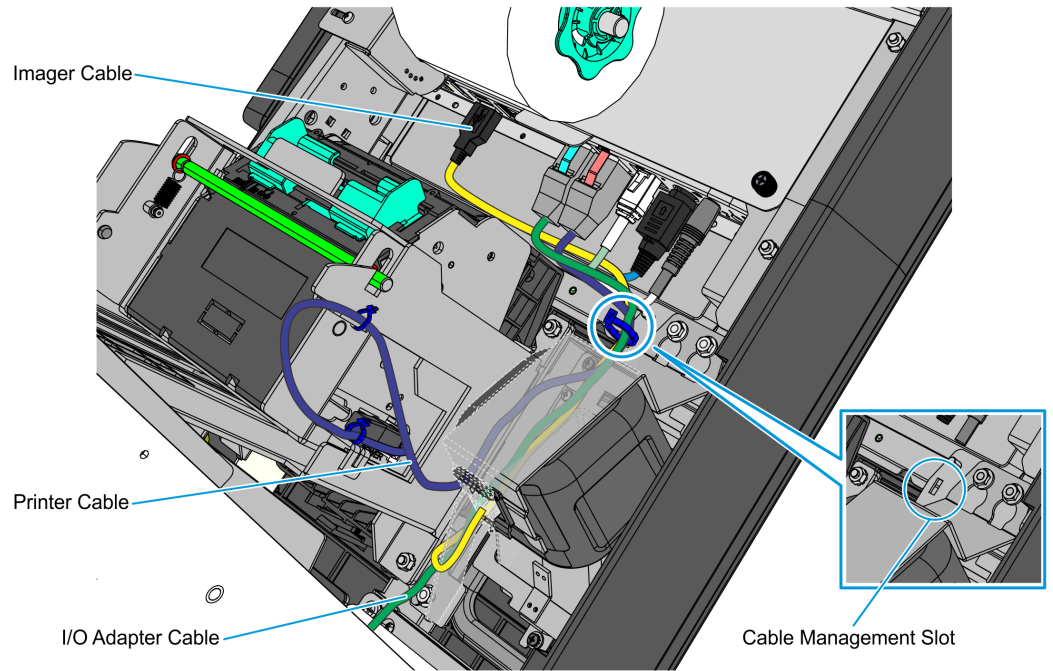


CCP-79496

- d. Connect one end of the Imaging Scanner cable to the bottom of the Imaging Scanner and connect the other end to the **USB B** port of the motherboard.



- e. Route and tuck the following cables together on the left side of the Imaging Scanner assembly and use a cable tie to secure the cables to the cable management slot shown in the following image.
- Imager USB cable
  - Printer USB and Power cable
  - I/O Adapter Power cable




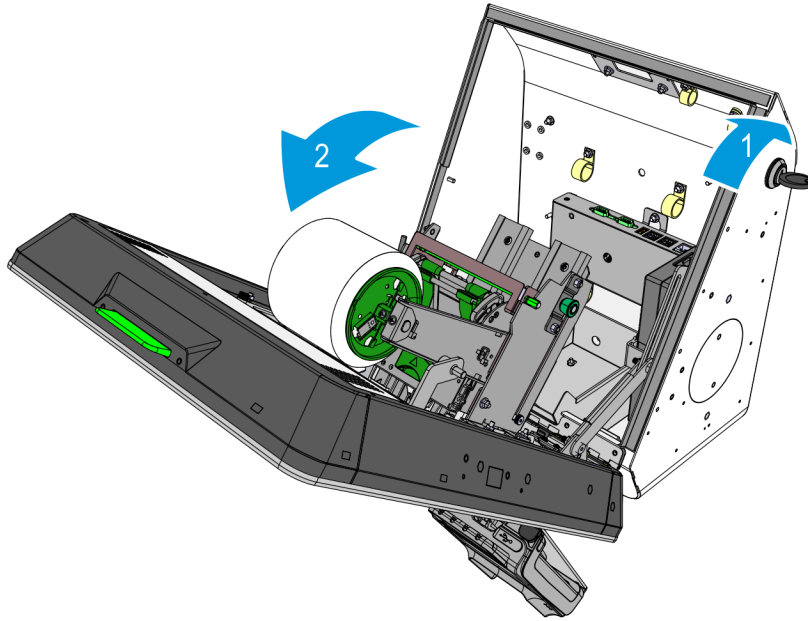
# NCR 770g R2.0 Installation Procedure

This section provides the installation procedure for NCR SelfServ 90 Kiosks with PID 7709-3000-8090 and 7709-4000-8090.

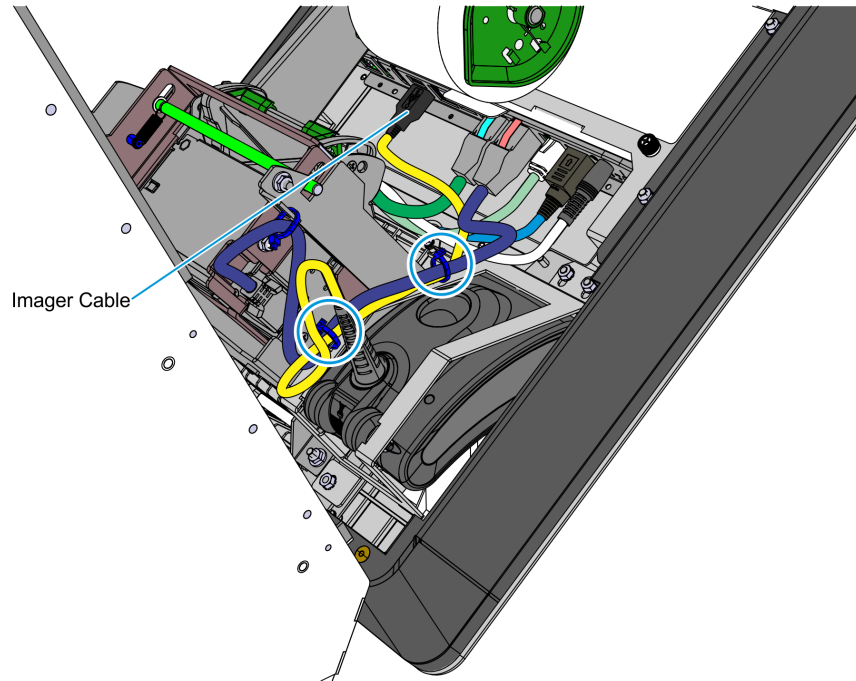
 **Warning:** Disconnect the AC power cord before disassembling the kiosk.

1. Shutdown and power off the terminal. Disconnect the Kiosk AC Power Cable from the outlet.
2. To open the kiosk, insert the key into the lock at the right-hand side of the kiosk, turn the key clockwise, and carefully open the front of the kiosk.

 **Caution:** Do NOT abruptly open and release the front of the kiosk. Hold and support the front of the kiosk until fully extended.

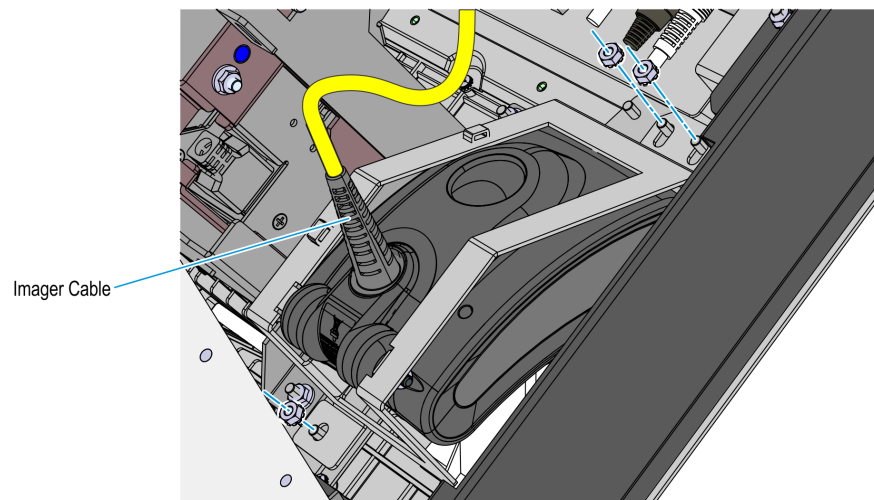


3. Remove the Honeywell 7580G Imaging Scanner.
  - a. Disconnect the Imaging Scanner Cable from the motherboard, and cut off the cable ties securing the cables routed on the Imaging Scanner bracket.



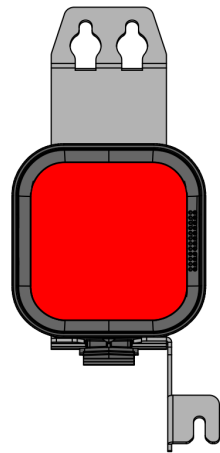
CCP-79493

- b. Remove the three nuts securing the Imaging Scanner to the kiosk and then lift the Imaging Scanner out of its mounting area.

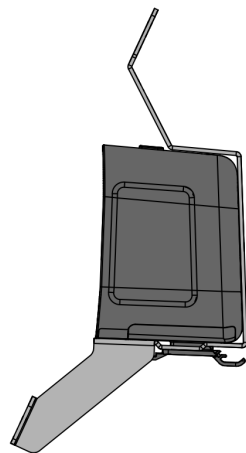
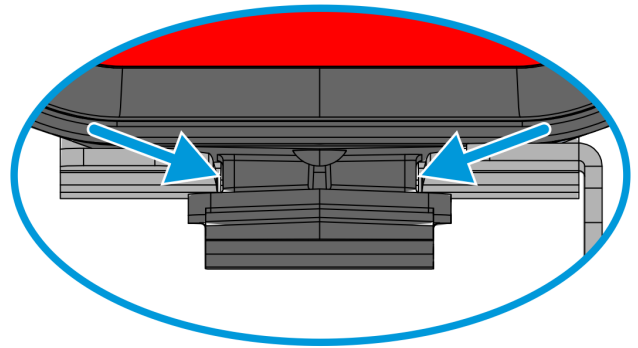


CCP-77975

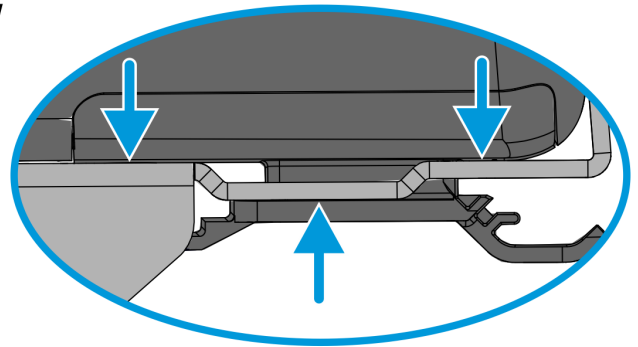
4. Install the Datalogic 1500i Imaging Scanner assembly.
  - a. Mount the Imaging Scanner onto the Imager bracket. Ensure that it sits tightly into the slot, as shown in the following image.



Front View

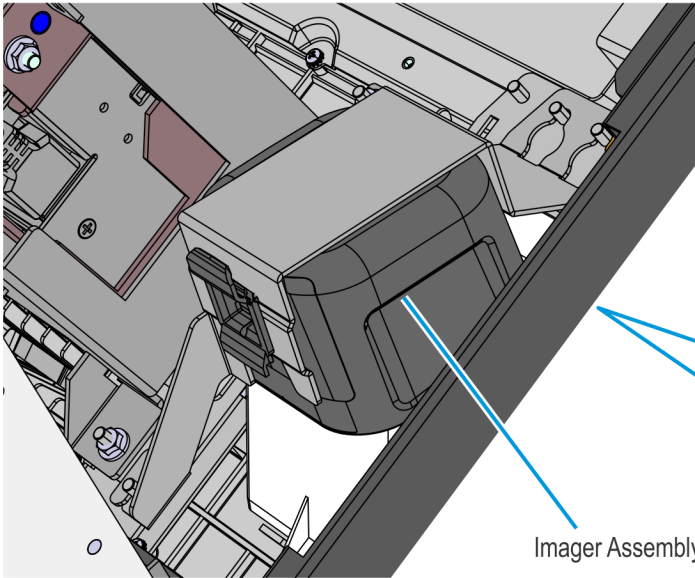


Side View

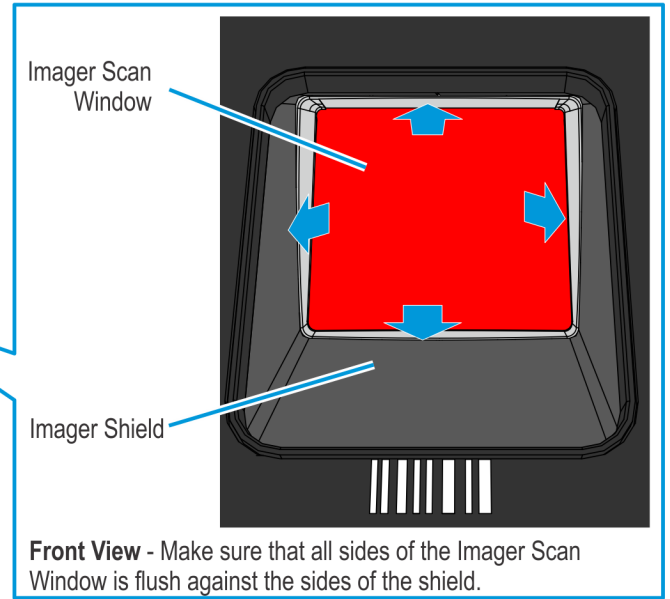


- b. Mount the Imaging Scanner assembly over the Imager Shield.

**! Important:** On the front side of the fascia, make sure that all sides of the Imager Scan Window is flush against the sides of the Imager Shield. Adjust the alignment of the Imager accordingly.

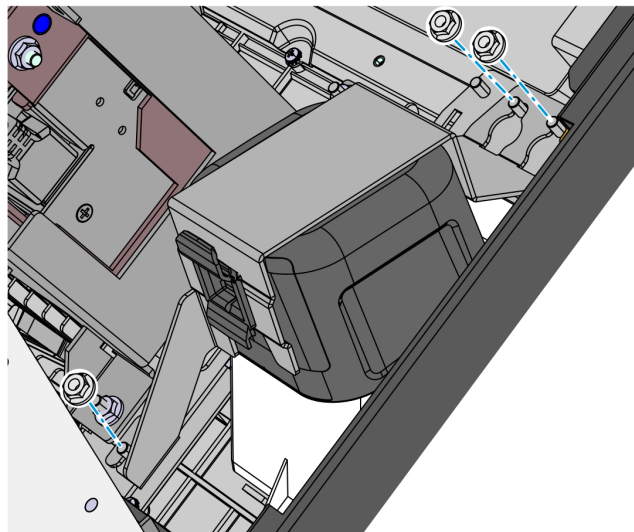


Rear View



CCP-79492

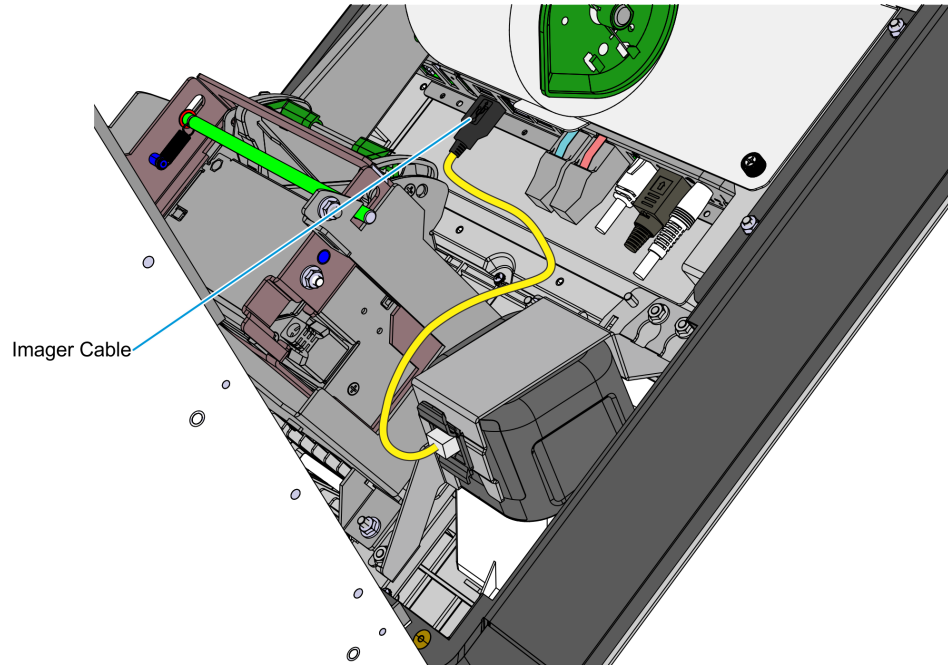
- c. Secure the Imaging Scanner assembly to the kiosk using three nuts.



CCP-79491



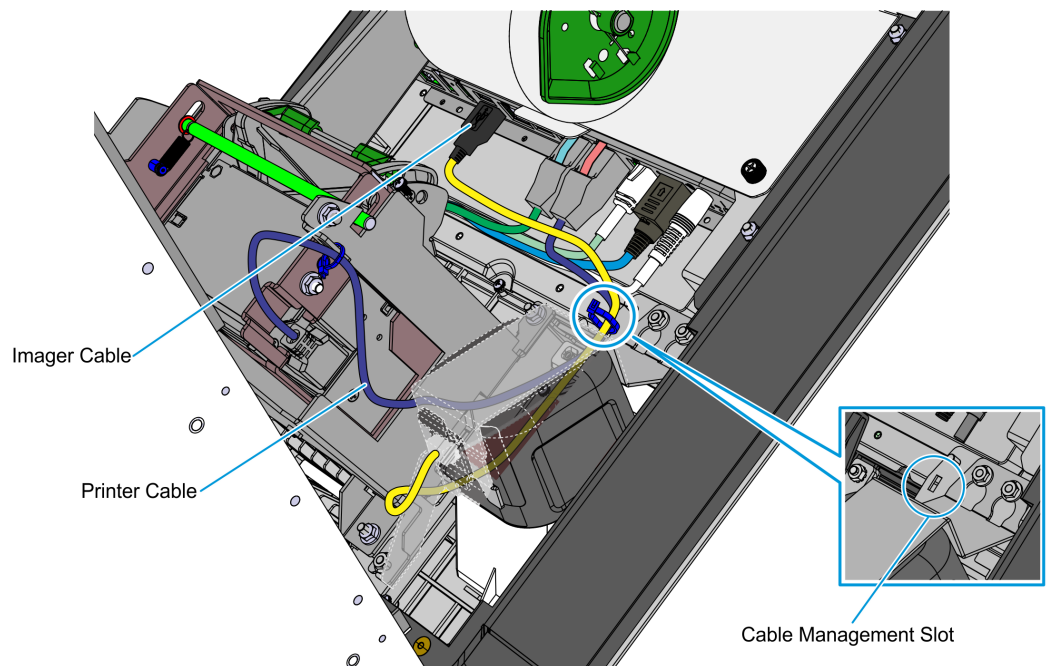
- d. Connect one end of the Imaging Scanner cable to the bottom of the Imaging Scanner and connect the other end to the **USB B** port of the motherboard.



CCP-79490

- e. Route and tuck the following cables together on the left side of the Imaging Scanner assembly and use a cable tie to secure the cables to the cable management slot shown in the following image.

- Imager USB cable
- Printer USB and Power cable



CCP-79489

