

Kit Instructions

NCR SelfServ™ 90 (7709) PIN Pad Arm



7709-K720
Issue B



The product described in this book is a licensed product of NCR Corporation.

NCR is a registered trademark of NCR Corporation. NCR SelfServ™ is a trademark of NCR Corporation in the United States and/or other countries. Other product names mentioned in this publication may be trademarks or registered trademarks of their respective companies and are hereby acknowledged.

The terms HDMI and HDMI High-Definition Multimedia Interface, and the HDMI Logo are trademarks or registered trademarks of HDMI Licensing LLC in the United States and other countries.

Where creation of derivative works, modifications or copies of this NCR copyrighted documentation is permitted under the terms and conditions of an agreement you have with NCR, NCR's copyright notice must be included.

It is the policy of NCR Corporation (NCR) to improve products as new technology, components, software, and firmware become available. NCR, therefore, reserves the right to change specifications without prior notice.

All features, functions, and operations described herein may not be marketed by NCR in all parts of the world. In some instances, photographs are of equipment prototypes. Therefore, before using this document, consult with your NCR representative or NCR office for information that is applicable and current.

To maintain the quality of our publications, we need your comments on the accuracy, clarity, organization, and value of this book. Please use the link below to send your comments.

Email: FD230036@ncr.com

Copyright © 2016-2017

By NCR Corporation

Duluth, GA U.S.A.

All Rights Reserved

Revision Record

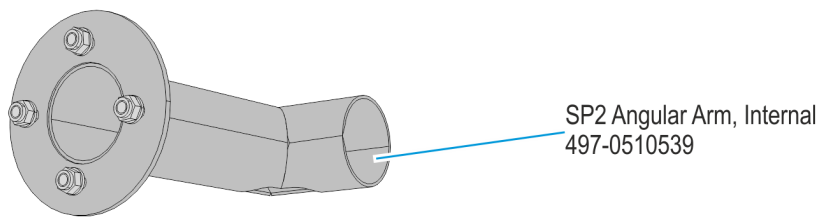
Issue	Date	Remarks
A	Apr 2016	First Issue
B	Sept 2017	Updated to remove parts and revise instructions.

PIN Pad Arm


Introduction

This kit provides a PIN Pad mounting arm for the NCR SelfServ™ 90 Kiosk.

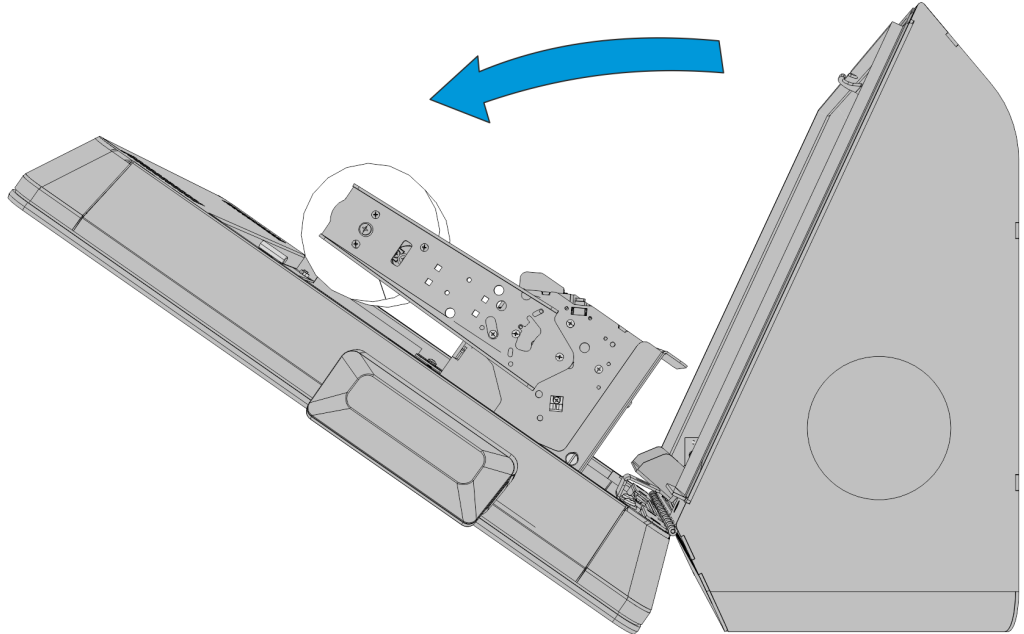
Kit Contents



Installation Procedure

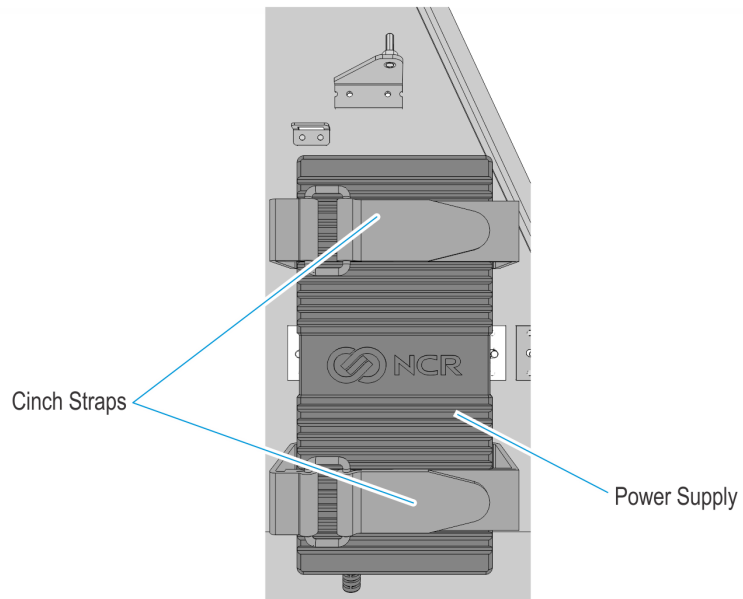
 **Warning:** Disconnect the AC power cord before disassembling the Terminal.

1. Open the front of the kiosk.



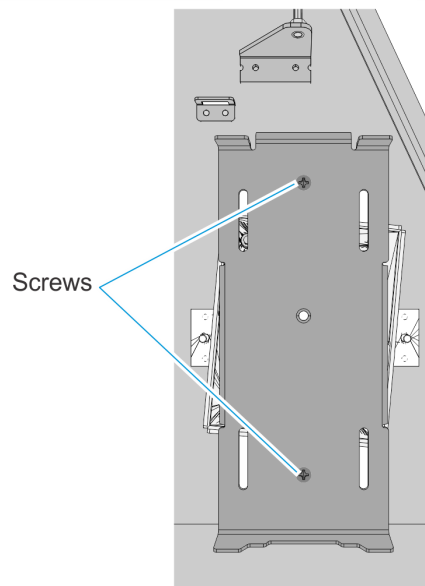
60922

2. Remove PIN pad arm blank plate.
 - a. Unstrap the cinch straps (2) that secure the power supply to the bracket. Remove the power supply and the cinch straps from the bracket.



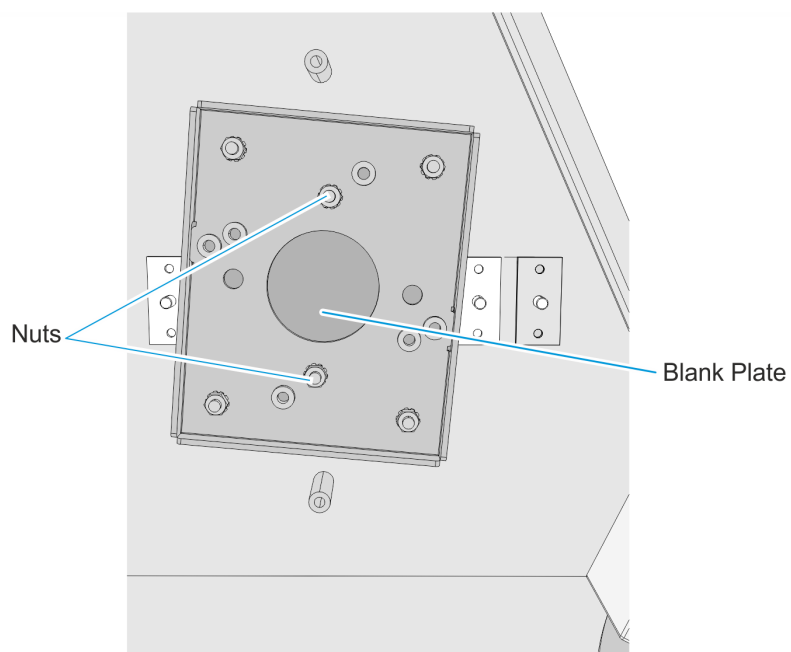
60907

- b. Remove the screws (2) that secure the power supply bracket. Remove the bracket.



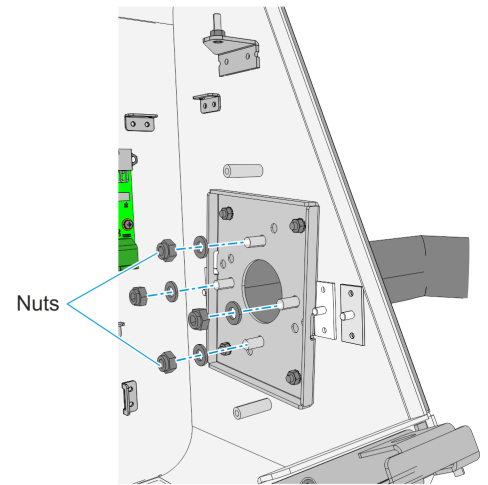
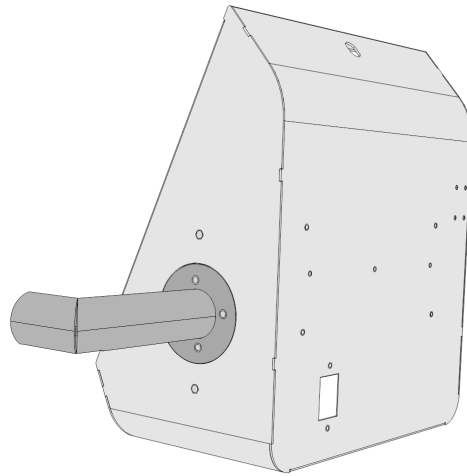
60906

- c. Remove the screws (2) that secure the blank plate. Remove the blank plate.



60905

3. Insert the mounting studs of the angular arm through the mounting holes on the cabinet and secure the arm with nuts (4).



60901

4. Re-install the power supply bracket and power supply.