

Kit Instructions

Sensormatic Backpack (Dark White)

7709-K740
Issue B



The product described in this document is a licensed product of NCR Corporation.

NCR is a registered trademark of NCR Corporation. NCR SelfServ™ is a trademark of NCR Corporation in the United States and/or other countries. Other product names mentioned in this publication may be trademarks or registered trademarks of their respective companies and are hereby acknowledged.

The terms HDMI and HDMI High-Definition Multimedia Interface, and the HDMI Logo are trademarks or registered trademarks of HDMI Licensing LLC in the United States and other countries.

Where creation of derivative works, modifications or copies of this NCR copyrighted documentation is permitted under the terms and conditions of an agreement you have with NCR, NCR's copyright notice must be included.

It is the policy of NCR Corporation (NCR) to improve products as new technology, components, software, and firmware become available. NCR, therefore, reserves the right to change specifications without prior notice.

All features, functions, and operations described herein may not be marketed by NCR in all parts of the world. In some instances, photographs are of equipment prototypes. Software screen images are representative, and in some cases, may not match a customer's installed software exactly. Therefore, before using this document, consult with your NCR representative or NCR office for information that is applicable and current.

To maintain the quality of our publications, we need your comments on the accuracy, clarity, organization, and value of this book. Please use the link below to send your comments.

Email: FD230036@ncr.com

Copyright © 2016, 2020

By NCR Corporation

864 Spring St. NW

Atlanta, GA 30308

United States

All Rights Reserved

Revision Record

Issue	Date	Remarks
A	Apr 2016	First Issue
B	May 2020	<ul style="list-style-type: none">• Updated kit contents due to changes in design• Updated procedures for 7709• Updated procedures for 2246

Sensormatic Backpack (Dark White)

Introduction

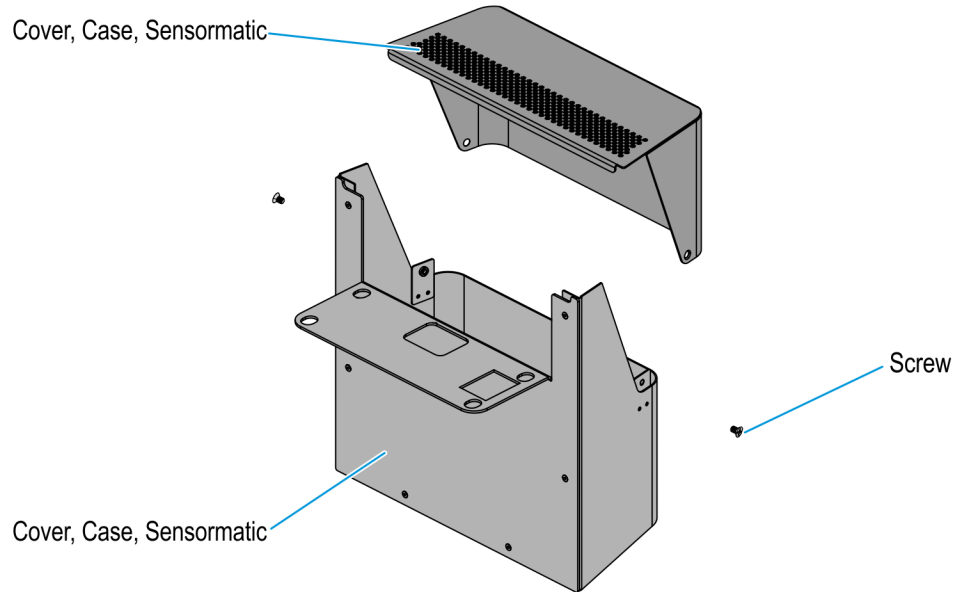
This kit provides the components to install a backpack mount for a Sensormatic controller when integrated into the NCR SelfServ™ 90 (7709) and the NCR SelfServ™ XK22 (2246) kiosks.



Note: Take note of the following:

- The Sensormatic Controller, Antenna, and Antenna Brackets are customer supplied.
- For 7709 Kiosk, this Sensormatic Backpack kit instruction sheet is to be used with the kit instructions for *7709-K738 Sensormatic* kit.

Kit Contents



CCP-78770

Part Number	Description	
497-0526567	Kit - Sensormatic Backpack (Dark White)	
006-8623633	MCH Screw Flat Hd PH Zinc-Pltd Stl M4 Size, 6 Long .7 Pitch (2 pcs)	
795-0284000-4099	Case, Sensormatic, 7709	
795-0230700-0799	Cover, Case, Sensormatic, 7709	
*	497-0505842	Paint Spec - Dark White Color
*	497-0505844	SelfServ 90 London Kiosk Paint Color Cross Reference Document
*	006-8615143	Cable Tie, 142 mm x 3.6 mm
*	497-0423108	Instructions-Kit (Reference Sheet)

* Items marked with an asterisk are not called out on the image.

7709 Kiosk Installation Procedures



Warning: Disconnect the AC power cord before disassembling the Terminal.




Caution: Do not connect or disconnect the Sensormatic Antenna or any Sensormatic Cable to the Sensormatic Controller when power is ON as this damages the controller.



Caution: Make sure that the cables are routed as shown. Sensormatic Modules give off strong electrical discharge that may damage other modules.



Caution: Static Electricity Discharge may permanently damage your system. Discharge any static electricity build up in your body by touching your terminal's exterior panels for a few seconds. Avoid any contact with internal parts and handle cards only by their external edges.

1. Shut down and power off the terminal.
 2. Disconnect the AC Power Cable and the LAN Cable from their external connection ports.
 3. Open the kiosk. For more information, refer to [Opening the Kiosk](#) on the next page
 4. Remove the kiosk head from the pedestal. For more information, refer to [Removing the Kiosk Head](#) on page 5
 5. Install the Sensormatic Backpack Case. For more information, refer to [Installing the Backpack Case](#) on page 9.
 6. Re-install the kiosk head onto the pedestal. For more information, refer to [Installing the Kiosk Head](#) on page 10.
 7. Place the Sensormatic Controller into the Sensormatic Backpack Case and route the cables. For more information, refer to [Installing the Sensormatic Controller to the Backpack Case](#) on page 14.
 8. Install and connect the Sensormatic Antenna, Interconnect Cable, and RS-232 Power Pad Cable. For procedures, refer to the *7709-K738 Sensormatic Kit Instructions*.
-  **Note:** For more information on cable routing, refer to [Routing Sensormatic Cables](#) on page 17.
9. Connect the Sensormatic Cables to the Sensormatic Controller. For more information, refer to [Connecting Cables to the Sensormatic Controller](#) on page 19.

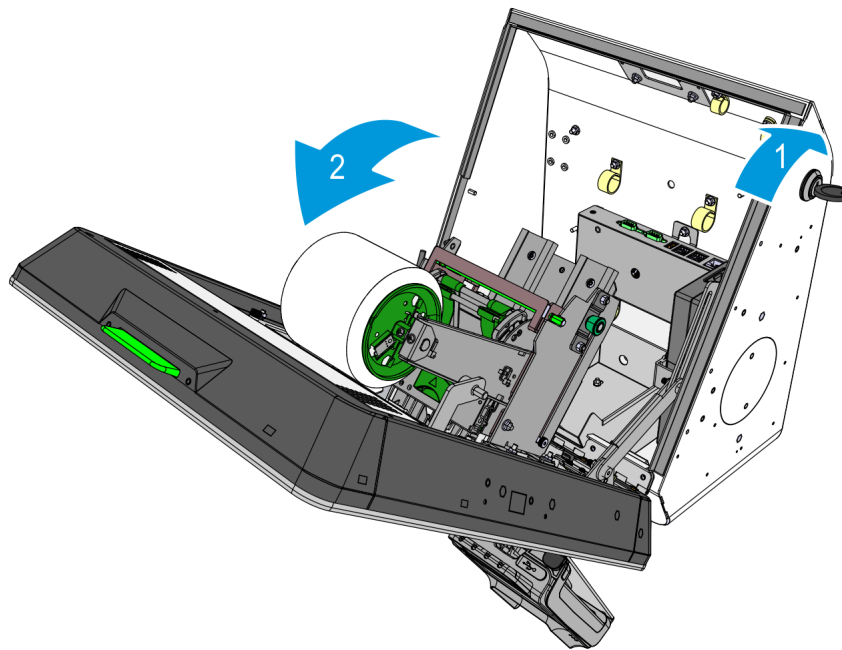
Opening the Kiosk

To access the kiosk components, follow this step:

- Insert the key into the lock, turn the key clockwise, and carefully open the front of the kiosk.
 - For **7709 R1.0 and R1.1** units, the lock is located at the back of the kiosk.
 - For **7709 R1.2 and R2.0** units, the lock is located at the right-hand side of the kiosk.



Caution: Do NOT abruptly open and release the front of the kiosk. Hold and support the front of the kiosk until fully extended.



CCP-77624



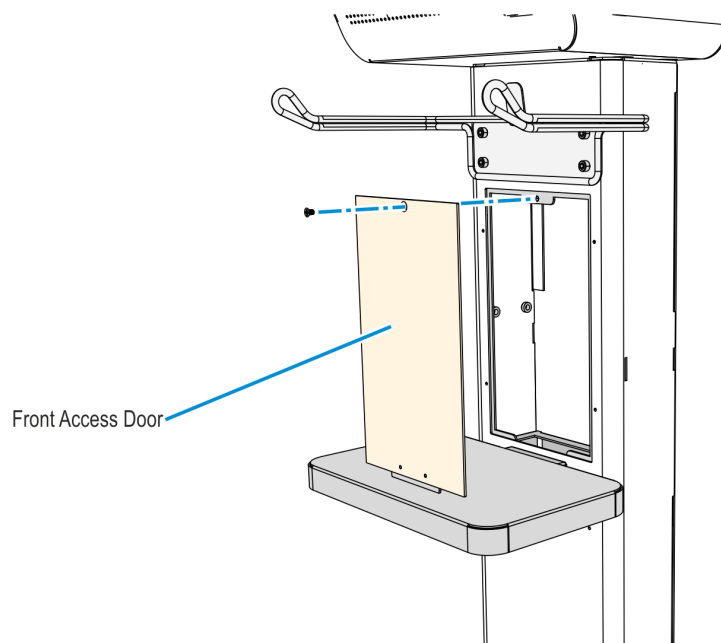
Note: The image above shows a 7709 R2.0 unit.

Removing the Kiosk Head

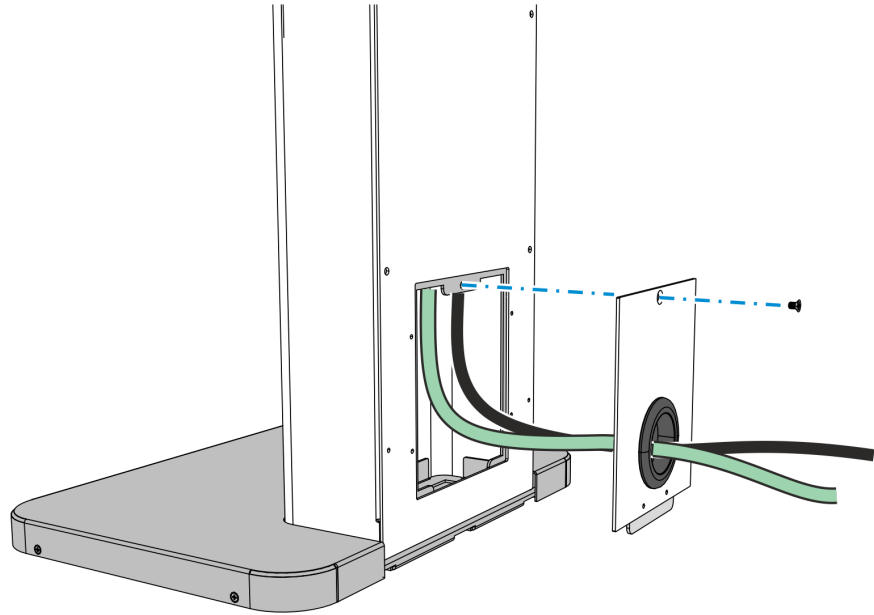


Note: To clearly view the components inside the kiosk cabinet, the display head and the power supply are not shown in some illustrations.

1. To easily guide the cables back into or out of the kiosk head, remove the Front Access Door of the pedestal by removing the screw that secures it to the pedestal.



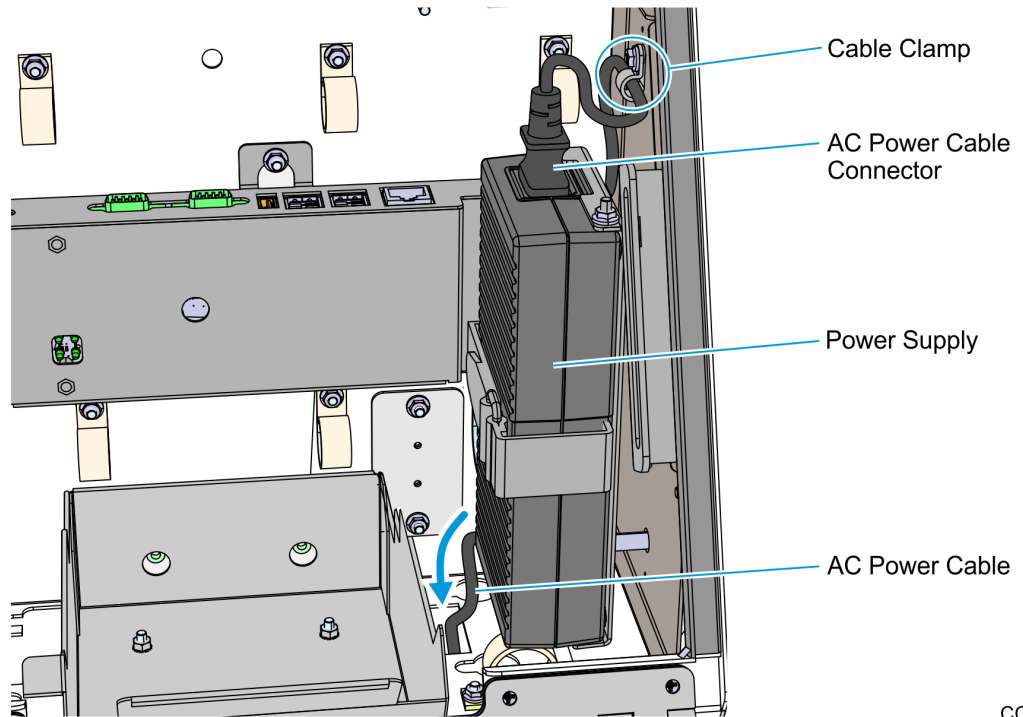
2. Pull the LAN Cable back into the kiosk head.
 - a. Remove the Rear Access Door of the pedestal by removing the screw that secures it to the pedestal.



CCP-74624

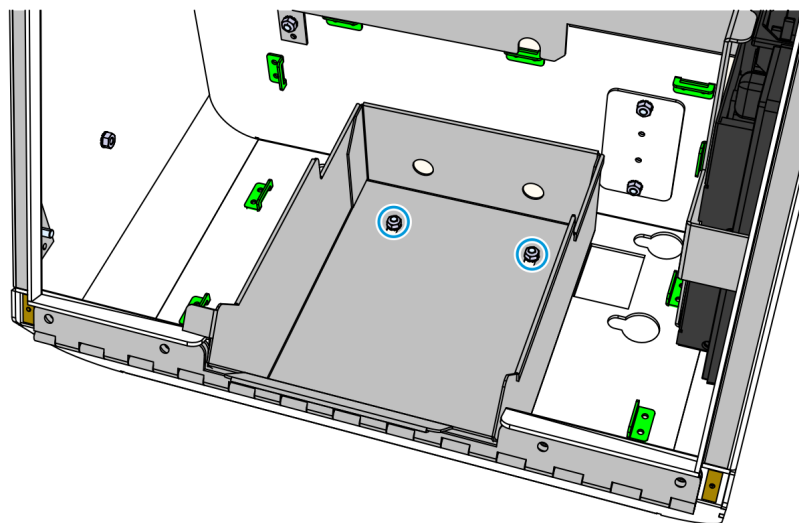
- b. Remove the LAN cable from the Rear Access Door and place it inside the pedestal.
 - c. Inside the kiosk head, carefully pull the LAN cable through the bottom access hole and into the kiosk head.

3. Pull the AC Power Cable out of the kiosk head.



CCP-78781

- a. Remove the nut that secure the cable clamp to the cabinet, and then remove the AC Power Cable from the cable clamp.
 - b. Disconnect the AC Power Cable from the Power Supply Unit, route the AC Power Cable down into the pedestal, and temporarily rest it on the front access hole of the pedestal.
4. Remove the Coupon Bin by removing the two hex nuts that secure it to the kiosk cabinet.

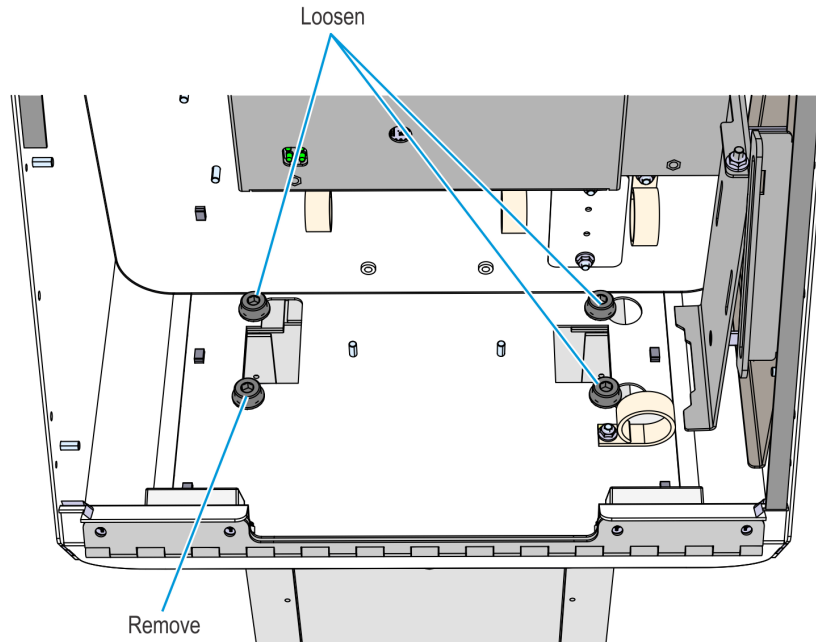


CCP-78478

5. Remove one screw and loosen three screws that secure the kiosk to the pedestal.

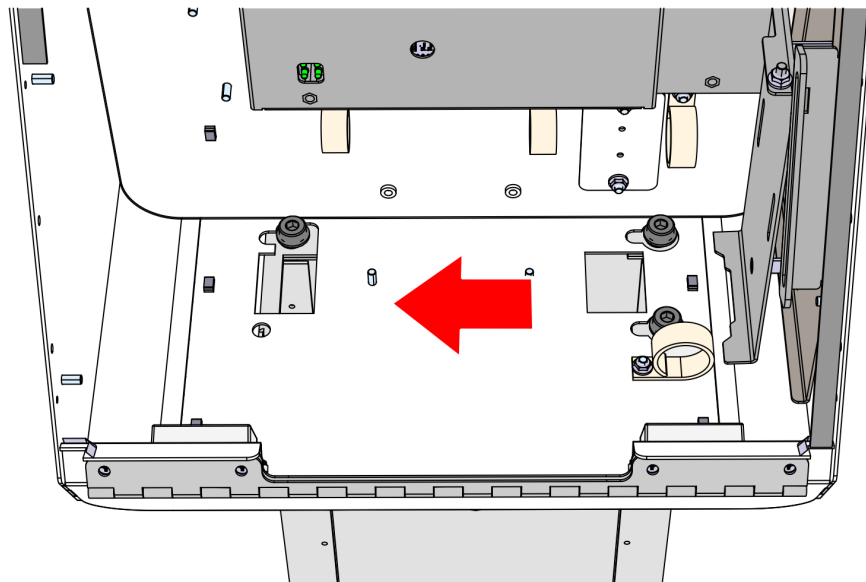


Caution: When loosening and removing the screws that secure the kiosk head to the pedestal, make sure that kiosk head is properly supported and will not fall off the pedestal.



CCP-78750

6. Slide the kiosk head to the left and lift it off of the pedestal.

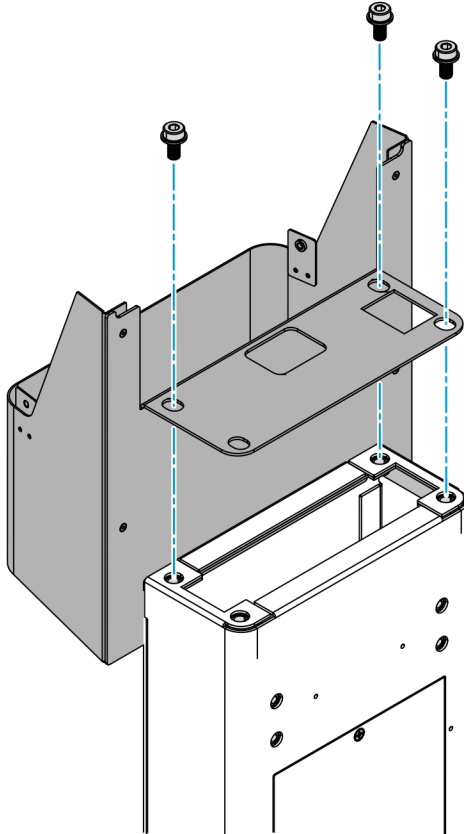


CCP-78752

7. Remove the three remaining mounting screws from the pedestal.

Installing the Backpack Case

1. Mount the Backpack Case onto the pedestal, ensuring that the mounting holes on the Backpack Case and on the pedestal are all aligned.
2. Install three screws just enough to secure the case to the pedestal but leaving room to insert and slide the kiosk under the screw heads.

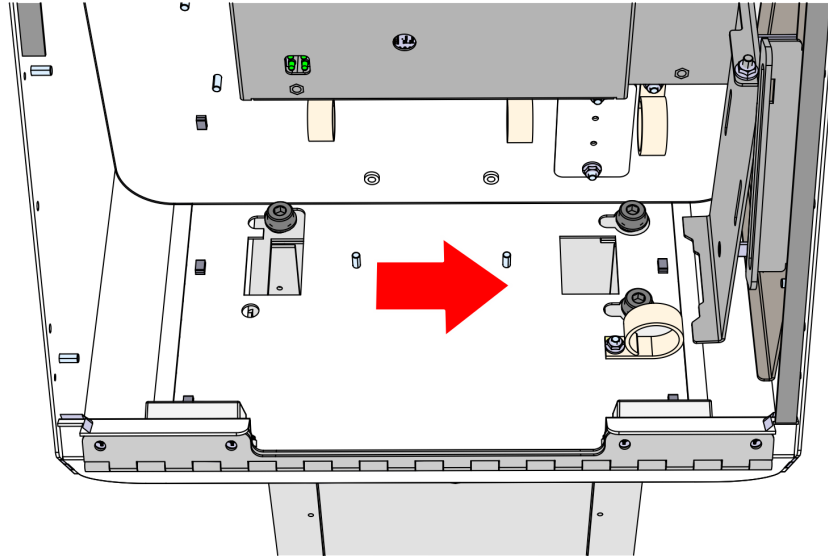


Installing the Kiosk Head



Note: To clearly view the components inside the kiosk cabinet, the display head and the power supply are not shown in some illustrations.

1. Align the three mounting holes on the base of the kiosk with the three mounting screws on the pedestal, and then slide the kiosk to the right to lock it in place.

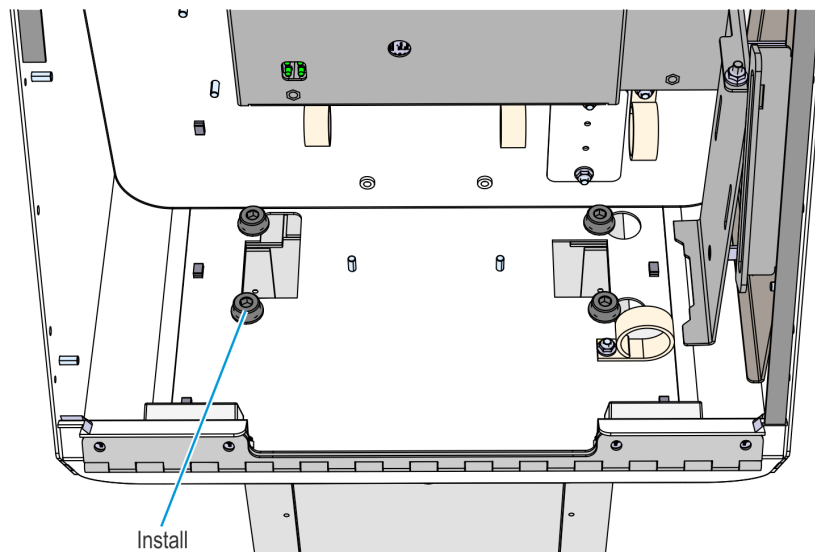


CCP-78751

2. Install one mounting screw through the remaining mounting hole, and then tighten all four mounting screws.

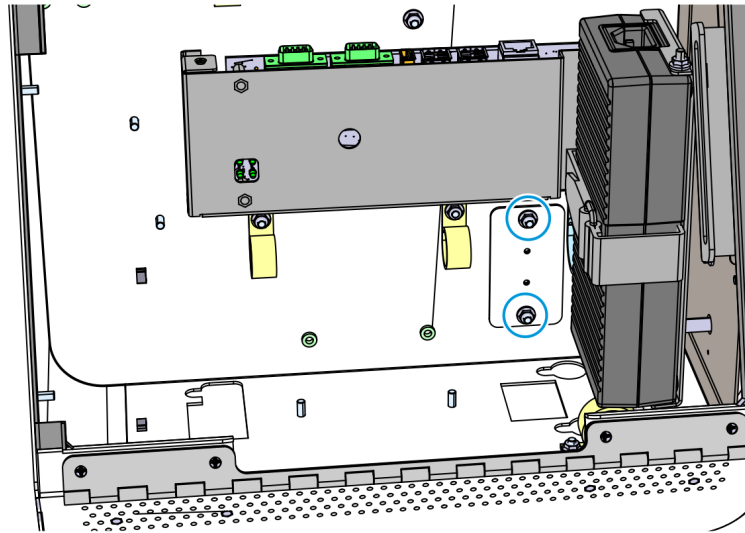


Note: Do not fully tighten any screw on the first turn. Use a stepping method when tightening the screws. Tighten each screw a little at a time to evenly install the kiosk to the pedestal.



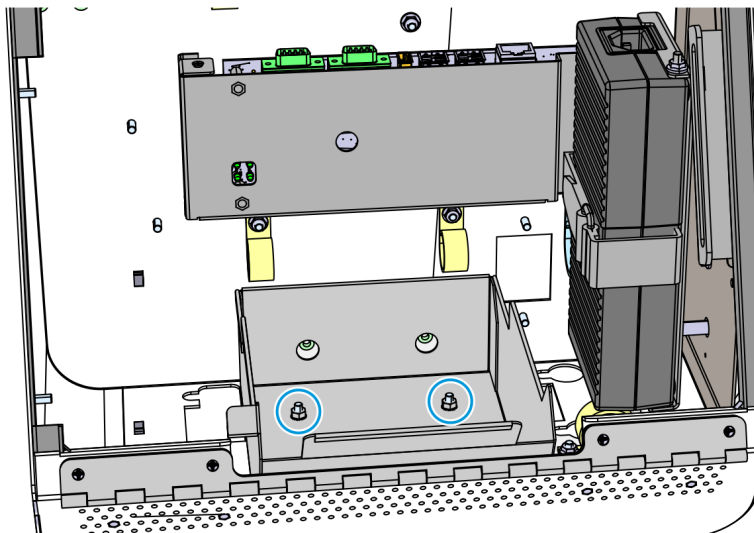
CCP-78753

3. Remove the rear blanking plate by removing the nuts that secure it to the inner back wall of the kiosk head.



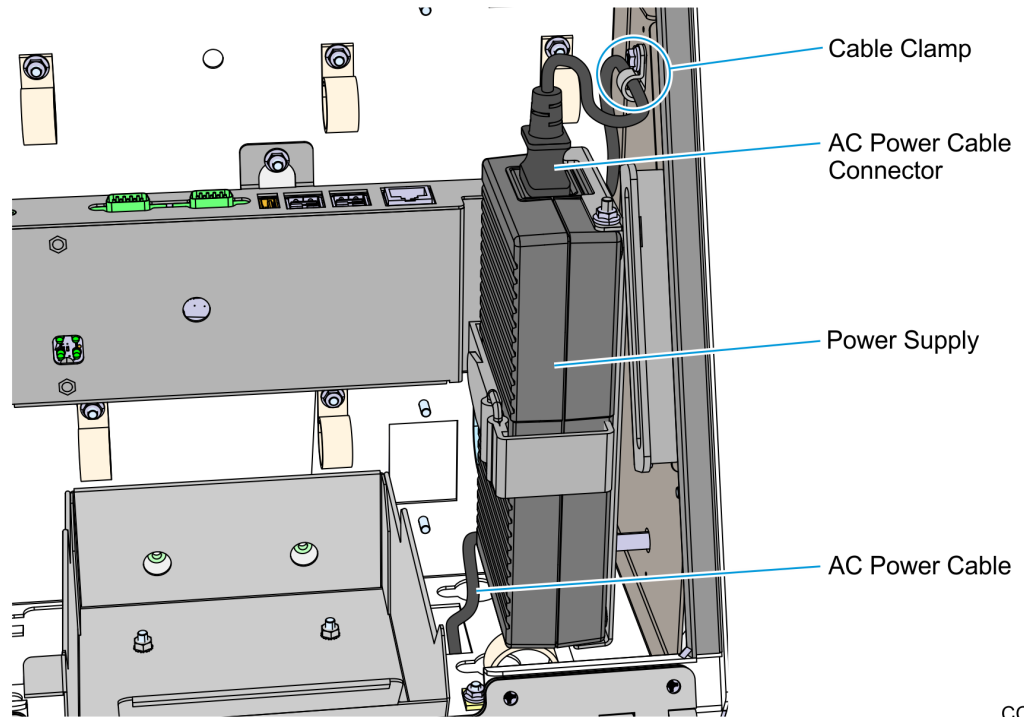
CCP-78779

4. Re-install the Coupon Bin on the kiosk cabinet and secure it using the two hex nuts.



CCP-78790

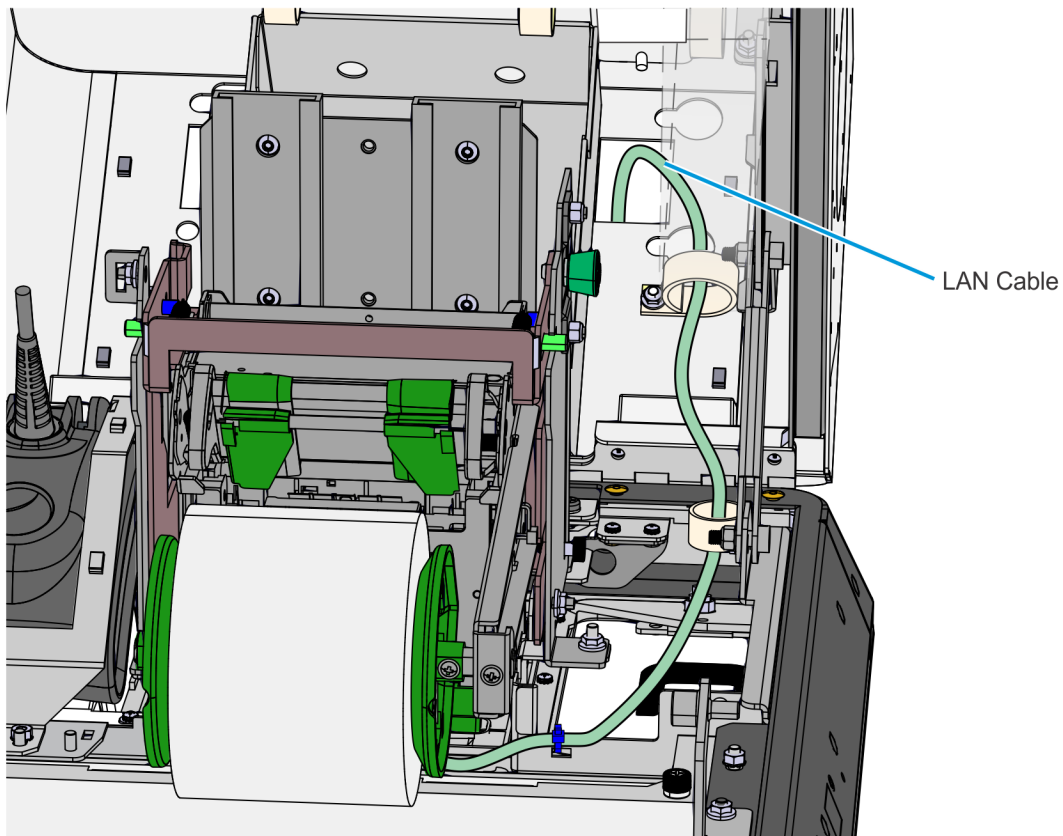
5. Reconnect the AC Power Cable to the Power Supply Unit.



CCP-78787

- a. Route the AC Power Cable back into the kiosk head, through the bottom access hole, and connect it to the Power Supply Unit.
- b. Insert the AC Power Cable into the cable clamp and then use a nut to secure the cable clamp to the cabinet.

6. Route the LAN cable towards the bottom of the Pedestal through the access hole on the right-hand side of the Coupon Bin.



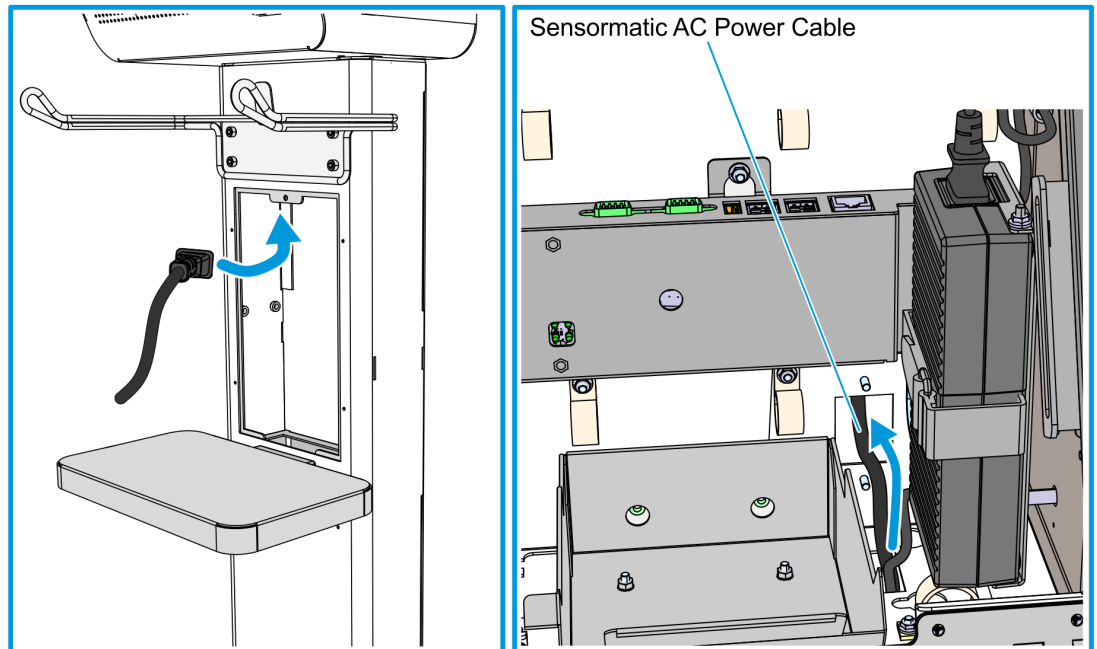
CCP-78789

Installing the Sensormatic Controller to the Backpack Case

1. Place the Sensormatic Controller into the Backpack Case, with the controller I/O ports facing upwards.
2. Insert the controller end of the Sensormatic AC Power Cable into the Front Access Door, and route it through the bottom cable access hole and the rear cable access hole.



Caution: Do not plug the Sensormatic AC Power Cable to the Sensormatic Controller yet.

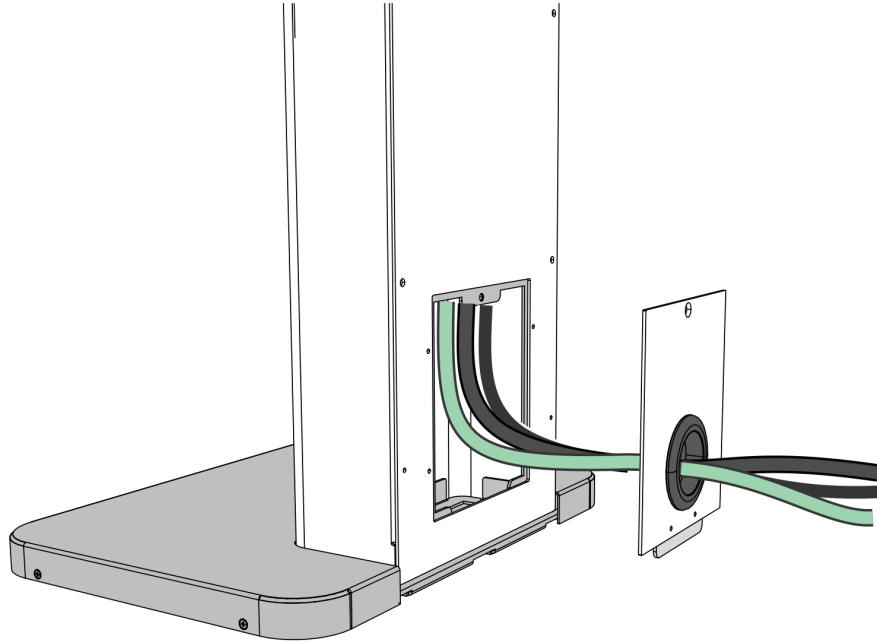


CCP-78788

3. Route the following cables out of the pedestal and through the hole of the Rear Access Door. Verify that they are long enough to reach their external connection ports.
 - Kiosk AC Power Cable
 - LAN Cable
 - Sensormatic AC Power Cable

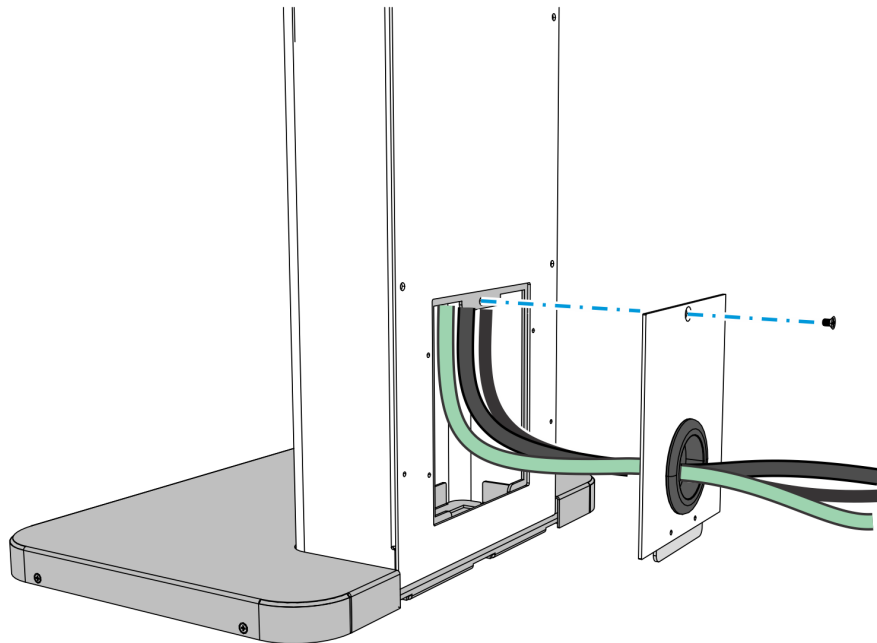


Caution: Do not plug the power cables to the power source yet.



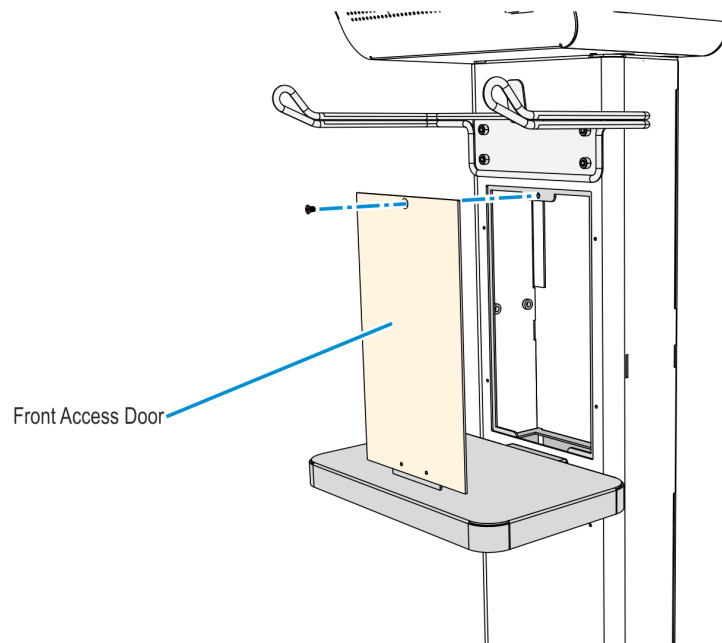
CCP-78783

4. Re-install the Rear Access Door to the pedestal and secure it with a screw.



CCP-78784

5. Re-install the Front Access Door to the pedestal and secure it with a screw.



CCP-74617

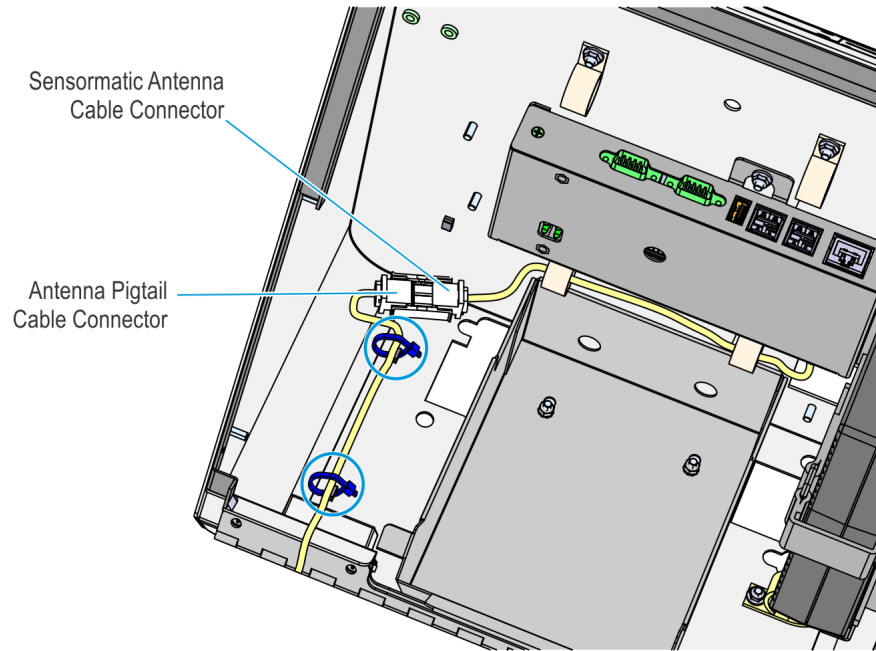
Routing Sensormatic Cables

The following images show the routing of Sensormatic cables as described in 7709-K738 *Sensormatic Kit Instructions*.

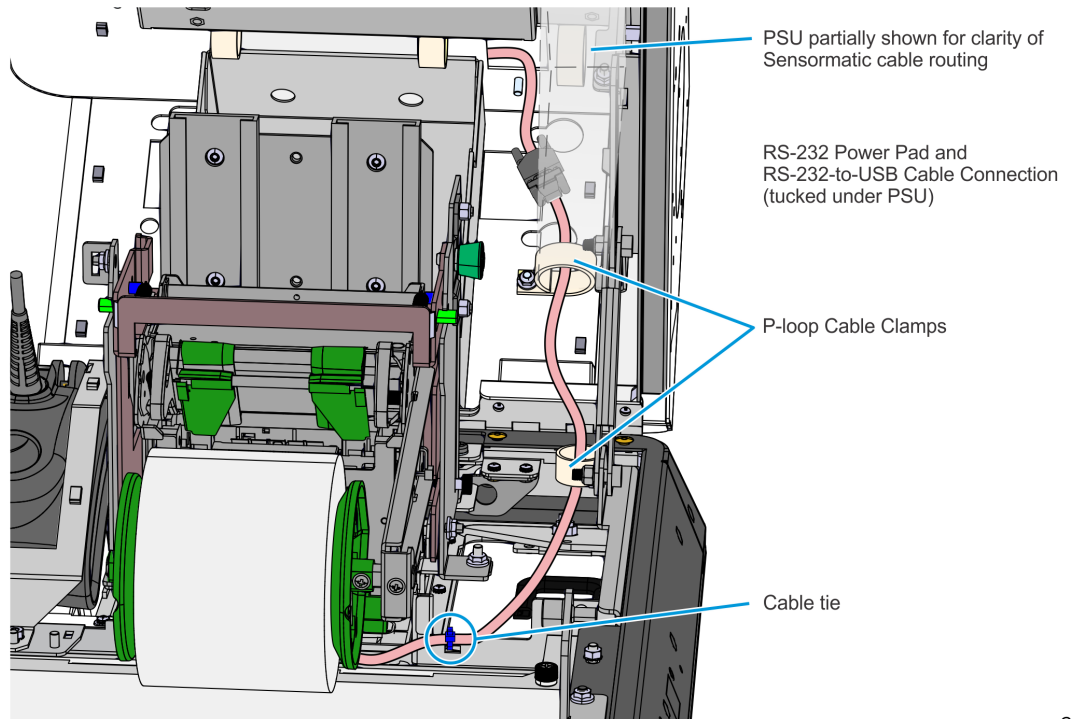


Note: For detailed installation procedures of Sensormatic cables, refer to 7709-K738 *Sensormatic Kit Instructions*.

Sensormatic Antenna Cable



RS232 Power Pad and USB-to-RS232 Cables



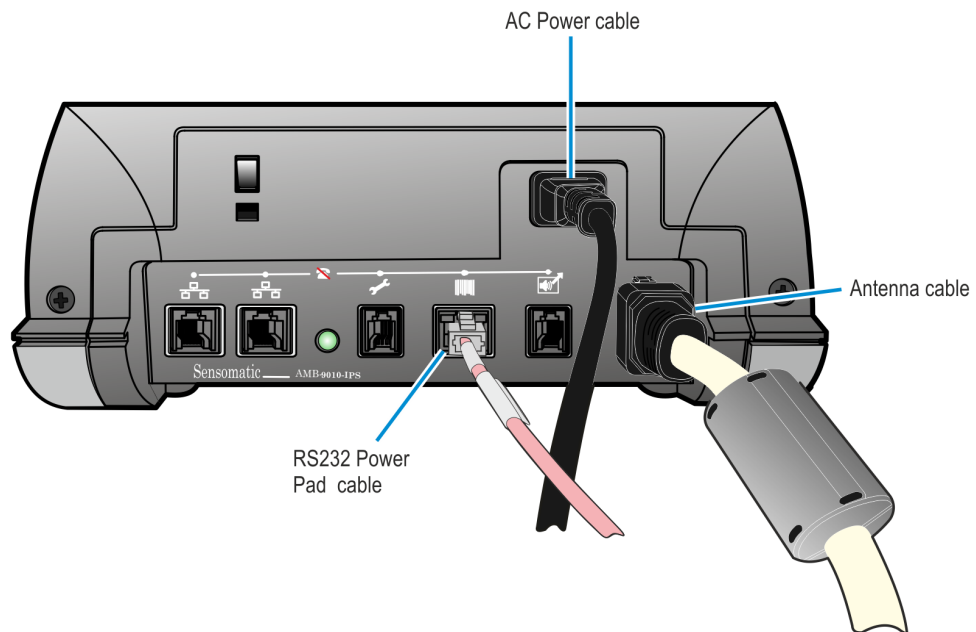
Connecting Cables to the Sensormatic Controller

⚠ Caution: Before connecting the cables, make sure that the Sensormatic Controller power is OFF.

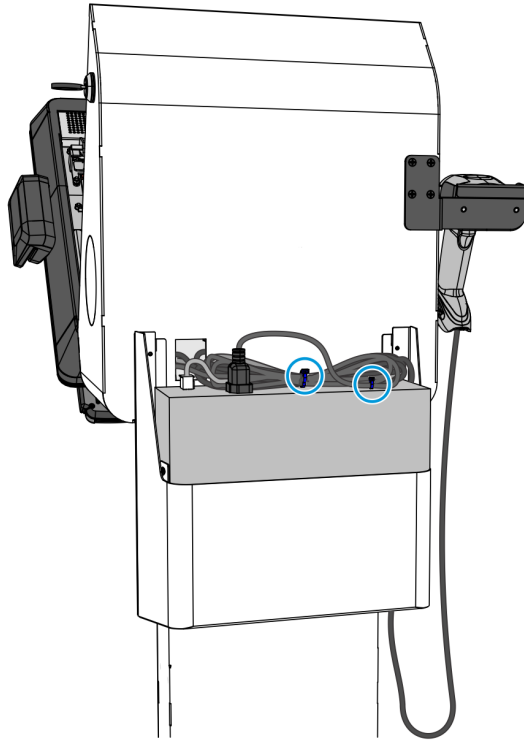
1. Connect the Sensormatic cables to the Sensormatic Controller ports in the following order:

⚠ Caution: To avoid damage to the controller, DO NOT reverse the order of connecting the Sensormatic cables, and DO NOT connect or disconnect the cables from the controller when power is ON.

- a. RS-232 Power Pad Cable
- b. Antenna Cable
- c. Sensormatic AC Power Cable

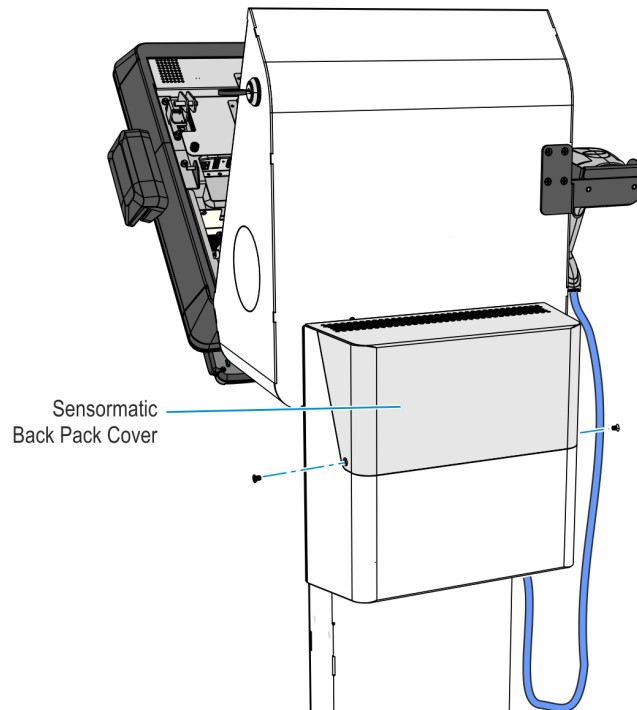


2. Use cable ties to bundle the excess length of Sensormatic cables and place the bundle on top of the Sensormatic Controller.



CCP-73737

3. Mount and secure the Sensormatic Case Cover.



CCP-73732

2246 Kiosk Installation Procedures



Warning: Disconnect the AC power cord before disassembling the Terminal.



Caution: Do not connect or disconnect the Sensormatic Antenna or any Sensormatic Cable to the Sensormatic Controller when power is ON as this damages the controller.



Caution: Make sure that the cables are routed as shown. Sensormatic Modules give off strong electrical discharge that may damage other modules.



Caution: Static Electricity Discharge may permanently damage your system. Discharge any static electricity build up in your body by touching your terminal's exterior panels for a few seconds. Avoid any contact with internal parts and handle cards only by their external edges.

1. Shut down and power off the terminal.
2. Disconnect the AC Power Cable and the LAN Cable from their external connection ports.
3. Open the Lower Module Door and the Upper Module Door. For more information, refer to [Opening the Kiosk](#) on page 23.
4. If the kiosk includes the Coupon Bin feature, remove the Coupon Bin from its mounting studs. For more information, refer to [Removing the Coupon Bin](#) on page 27.
5. If the kiosk includes the Receipt Printer feature, remove the Receipt Printer from its mounting bracket. For more information, refer to [Removing the Receipt Printer](#) on page 28.
6. Remove the kiosk head from the pedestal. For more information, refer to [Removing the Kiosk Head](#) on page 29.
7. Install the Sensormatic Backpack Case. For more information, refer to [Installing the Backpack Case](#) on page 33.
8. Re-install the kiosk head onto the pedestal. For more information, refer to [Installing the Kiosk Head](#) on page 34.
9. Place the Sensormatic Controller into the Sensormatic Backpack Case and route the cables. For more information, refer to [Installing the Sensormatic Controller to the Backpack Case](#) on page 38.
10. Install and connect the Sensormatic Antenna and the Sensormatic RS-232 Power Pad Cable. For more information, refer to [Installing Sensormatic Antenna and Power Pad Cables](#) on page 41.
11. Connect the Sensormatic Cables to the Sensormatic Controller. For more information, refer to [Connecting Cables to the Sensormatic Controller](#) on page 43.
12. If the kiosk includes the Receipt Printer feature, re-install the Receipt Printer to its mounting bracket. For more information, refer to [Installing the Receipt Printer](#) on page 45.

13. If the kiosk includes the Coupon Bin feature, re-install the Coupon Bin to its mounting studs. For more information, refer to [Installing the Coupon Bin](#) on page 47.

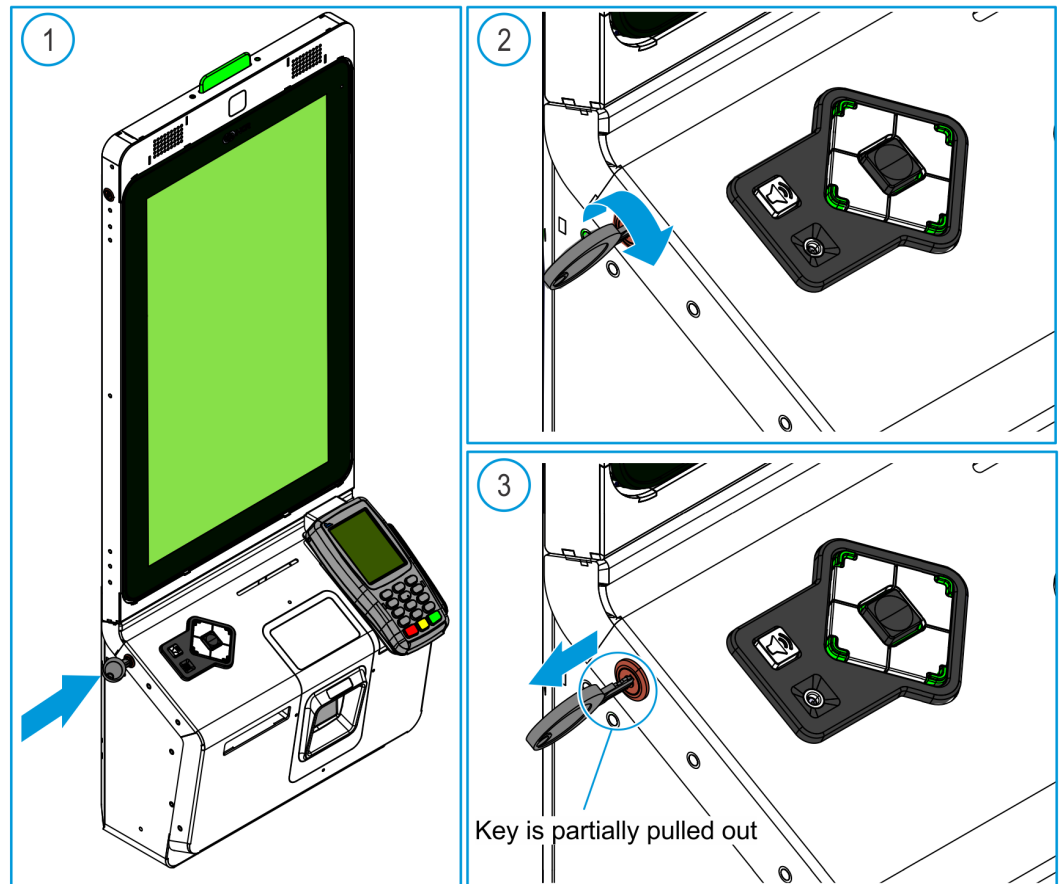
Opening the Kiosk

To open the kiosk, follow these steps:

1. Open the Lower Module Door.
 - a. Insert the Lower Module Door key into the keyhole on the left-hand side of the kiosk, turn the key clockwise (OPEN position), and then partially pull the key (about halfway) out of the keyhole.



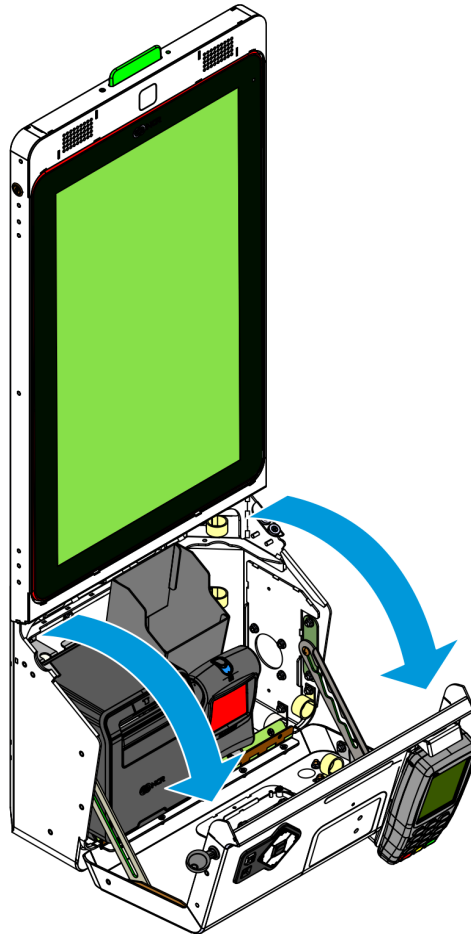
Note: When the key is partially out of the keyhole, the cam lock mechanism is held at the OPEN position. This technique prevents the cam lock from automatically re-engaging with the lock catch.



- b. While the key and the cam lock are at the OPEN position, grip the left and right edges of the Lower Module Door, pull the door forward, and guide the door until the door linkage is fully extended.



Caution: Do NOT abruptly open and release the Lower Module Door. Hold and support the Lower Module Door until fully extended.

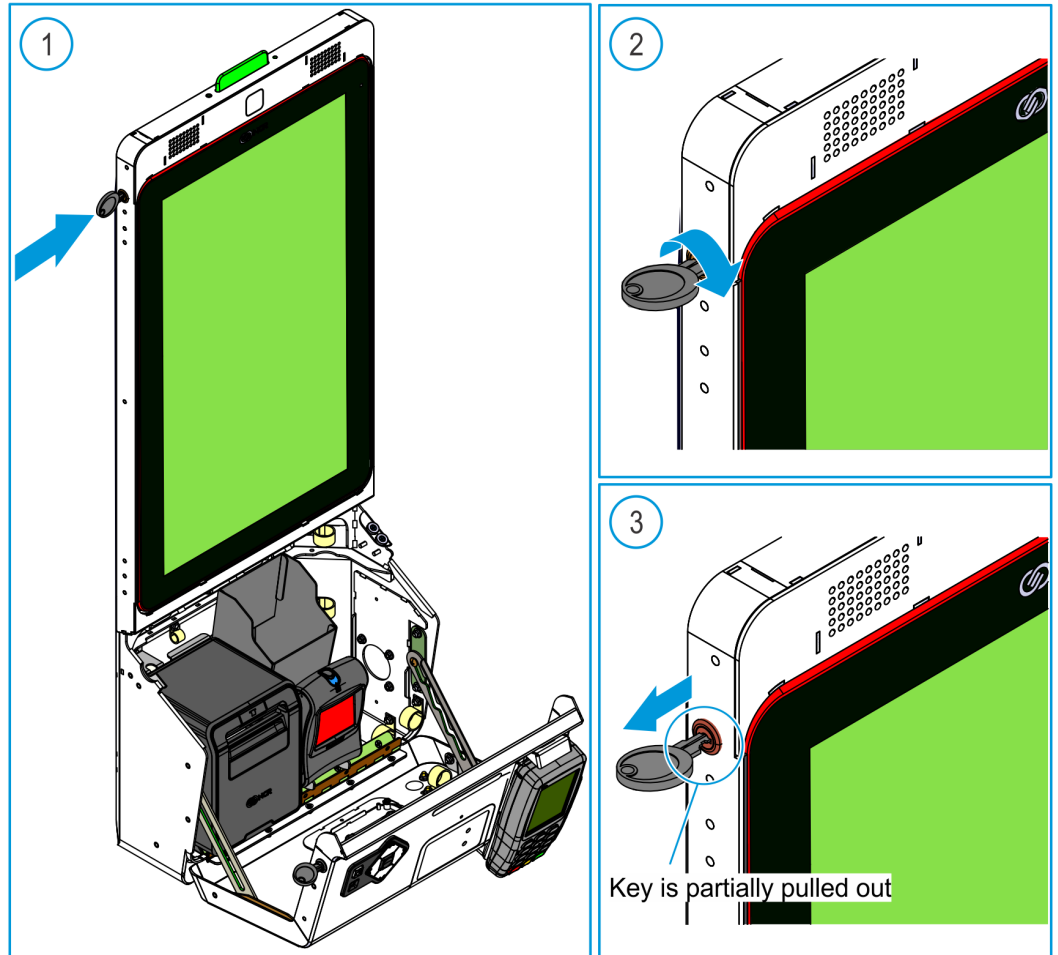


2. Open the Upper Module Door.

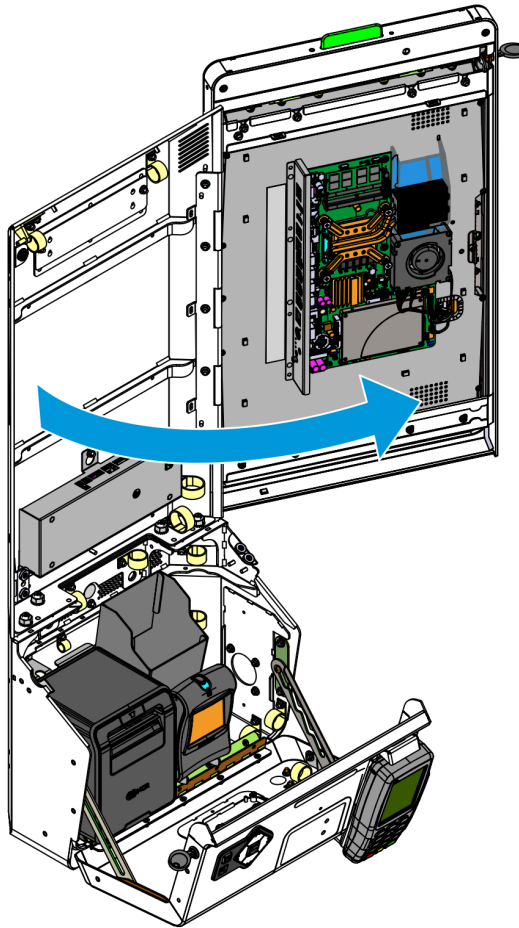
- a. Insert the Upper Module Door key into the lock on the left-hand side of the kiosk, turn the key clockwise (OPEN position), and then partially pull the key (about halfway) out of the keyhole.



Note: When the key is partially out of the keyhole, the cam lock mechanism is held at the OPEN position. This technique prevents the cam lock from automatically re-engaging with the lock catch.

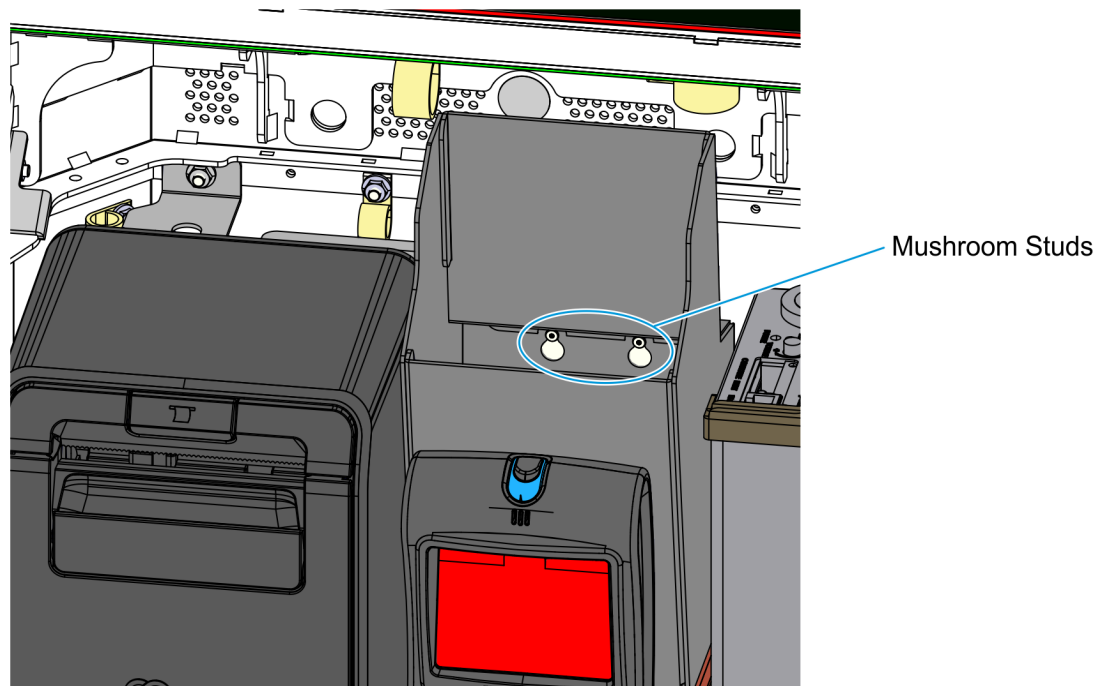


- b. While the key and the cam lock are at the OPEN position, grip the left edge of the Upper Module Door and pull the door forward.



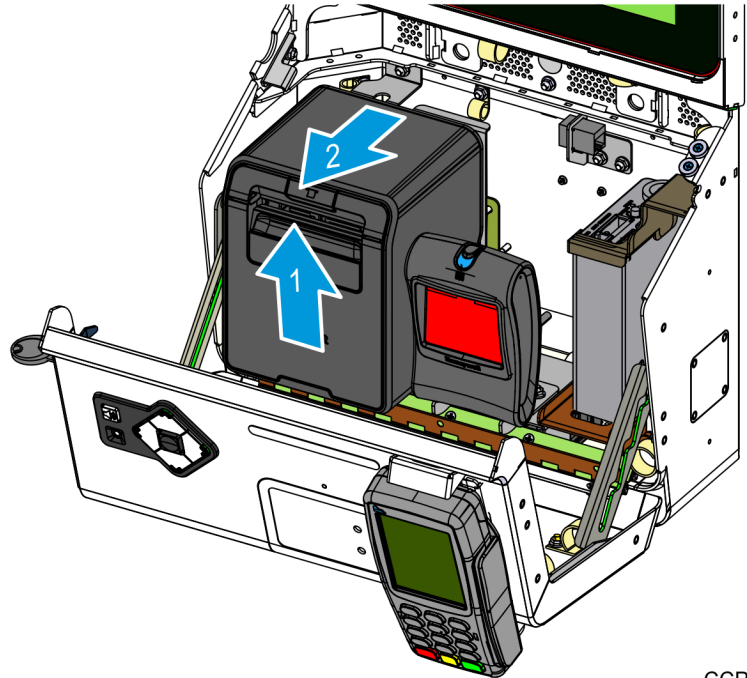
Removing the Coupon Bin

- Lift the Coupon Bin from its two mushroom studs and remove it from the kiosk.



Removing the Receipt Printer

1. Slightly slide the receipt printer upward to unhook it from its bracket, and then carefully remove the printer from its bracket.



CCP-77653

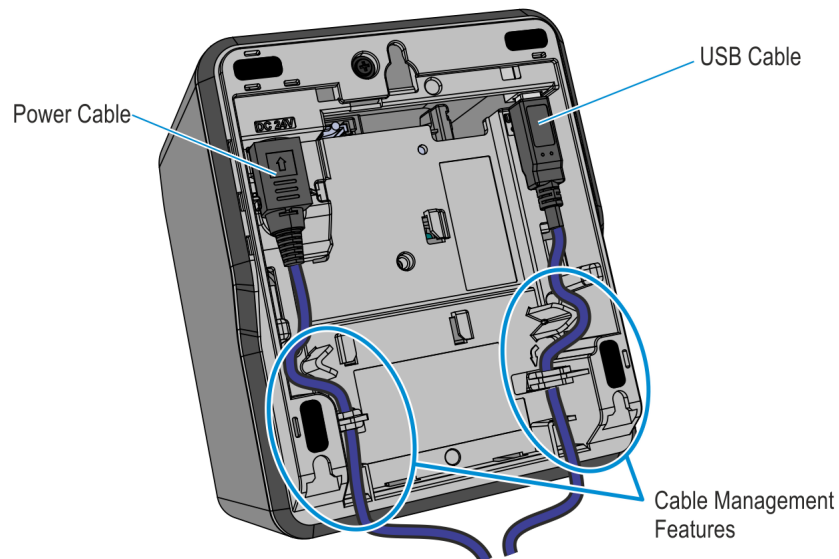


Caution: At this point, the printer cables are still connected to the rear side of the printer. To avoid damaging the cables or the printer, do not pull the printer too far away from its mounting bracket.

2. Disconnect the Power and USB cables from the rear side of the printer.



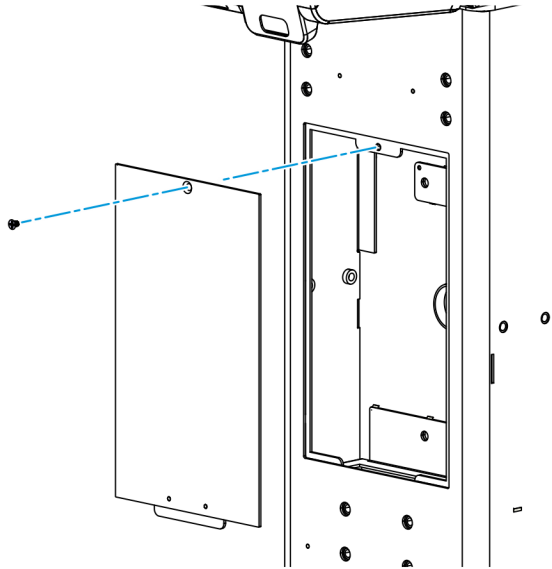
Note: The Power Cable connector has a lock feature. Slightly pull the external shell of the connector then pull the connector out of its port.



CCP-73161

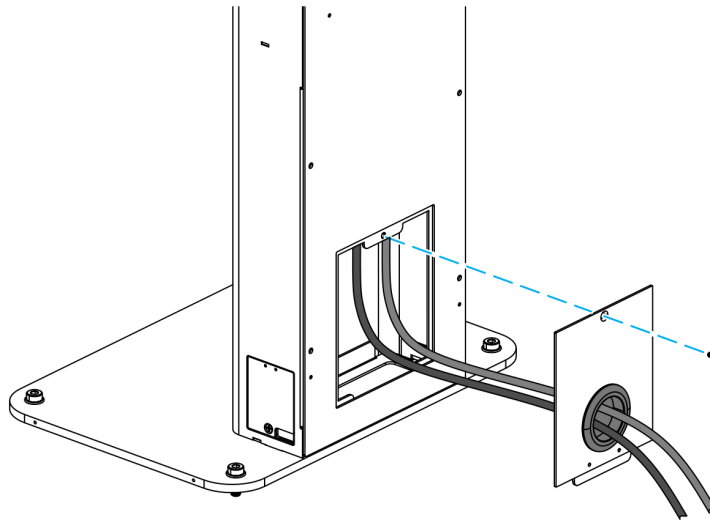
Removing the Kiosk Head

1. To easily guide the cables back into or out of the kiosk head, remove the Front Access Door of the pedestal by removing the screw that secures it to the pedestal.



CCP-76690

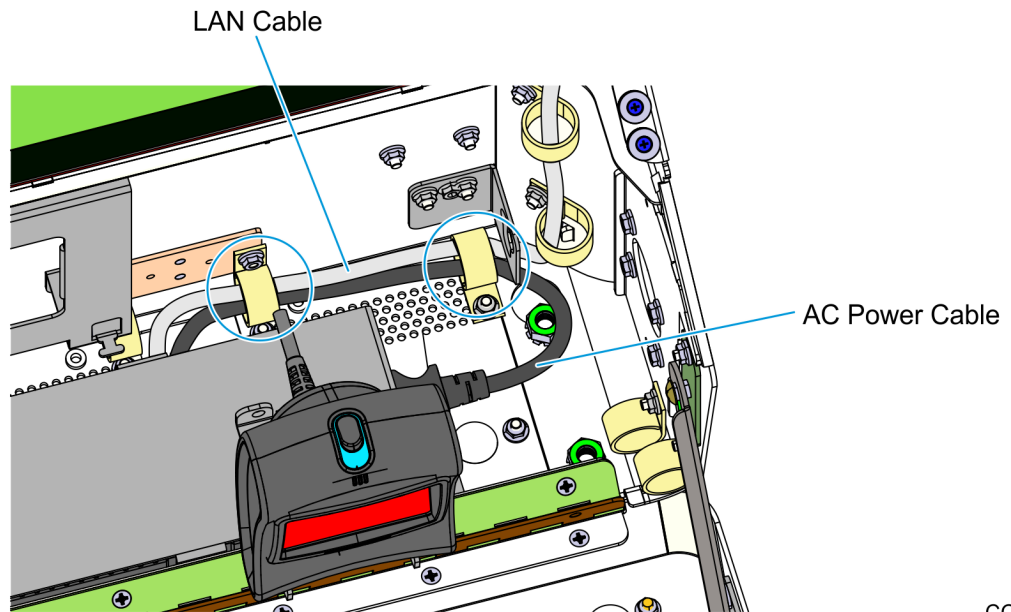
2. Remove the Rear Access Door of the pedestal by removing the screw that secures it to the pedestal.



CCP-77909

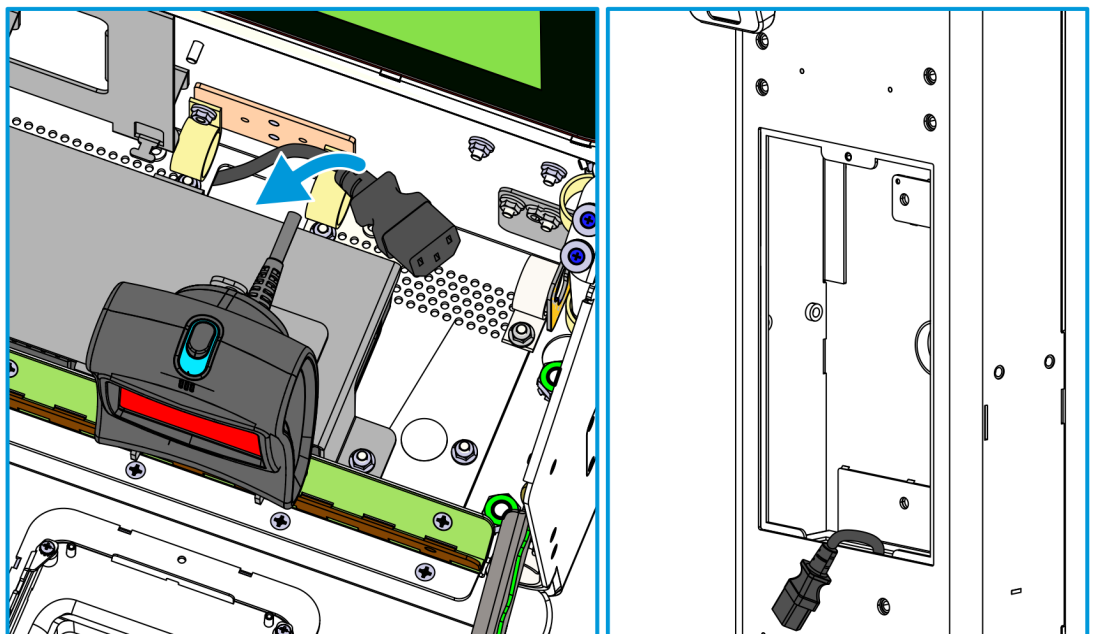
3. Remove the LAN Cable from the Rear Access Door and place it inside the pedestal.

4. Inside the kiosk head, remove the cables from the p-loops indicated in the following image, and then carefully pull the LAN Cable through the bottom access hole and into the kiosk head.



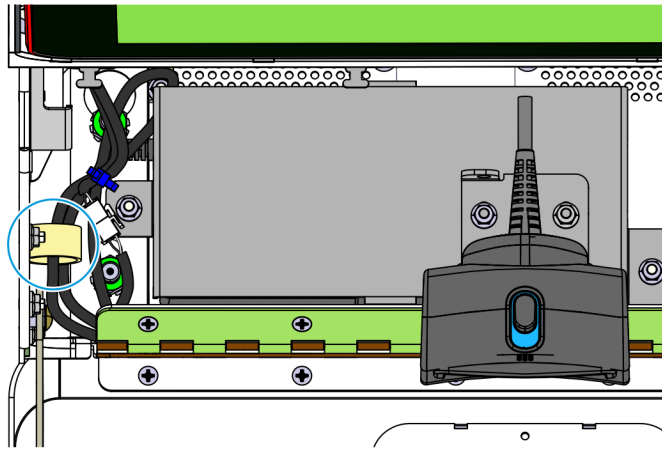
CCP-78762

5. Disconnect the AC Power Cable from the power brick, route it down into the pedestal, and temporarily rest it on the front access hole of the pedestal.



CCP-78785

- To access the mounting holes on the left side of the kiosk, remove the DC Power Cable from the p-loop indicated in the following image.

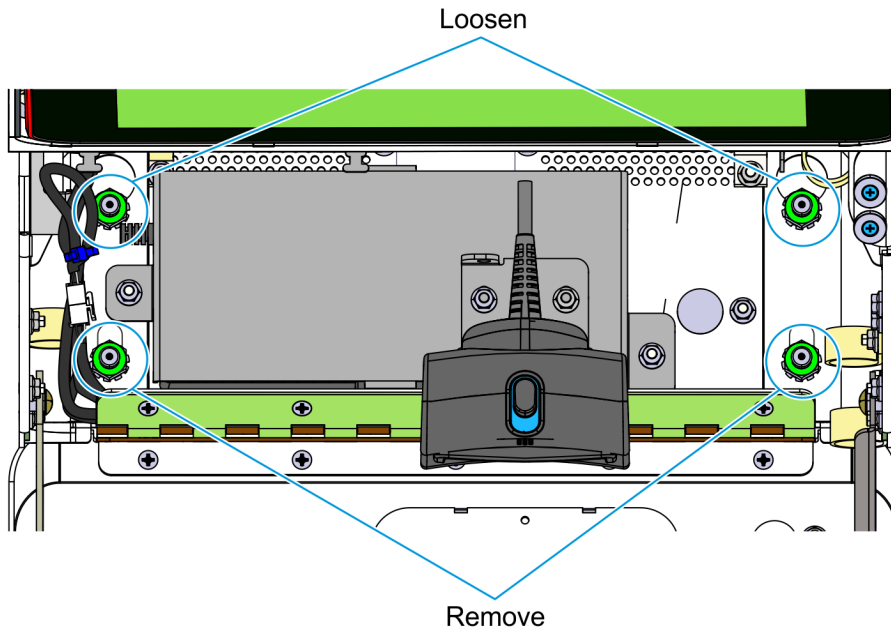


CCP-78761

- While supporting the kiosk head, remove the two M8 Keys nuts from the two front studs and loosen the other two M8 Keys nuts.

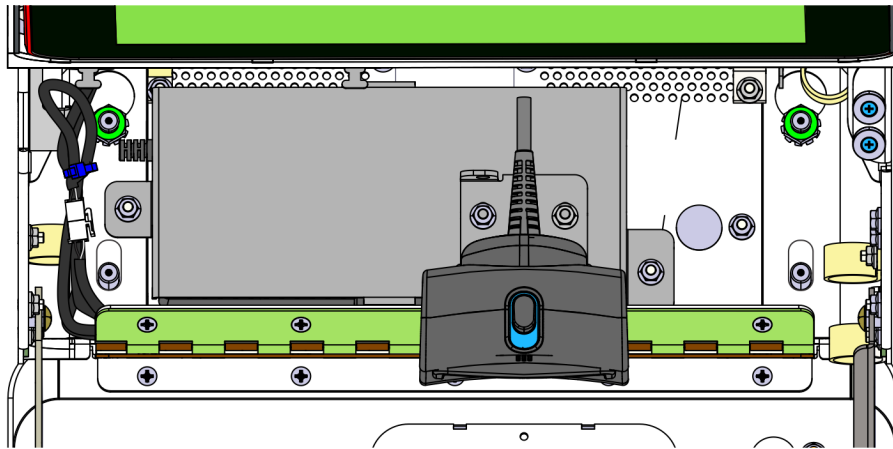


Caution: When loosening and removing the nuts that secure the kiosk head to the pedestal, make sure that it is properly supported and will not fall off the pedestal.



CCP-78760

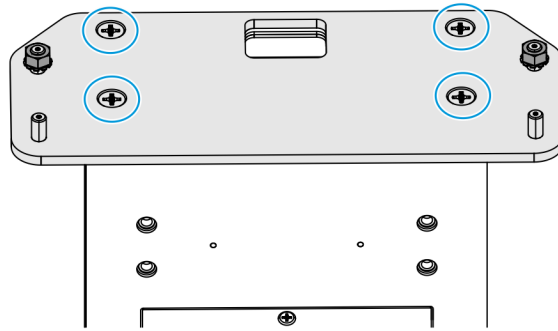
- Slide the kiosk head toward the front and then lift it off the pedestal.



CCP-78763

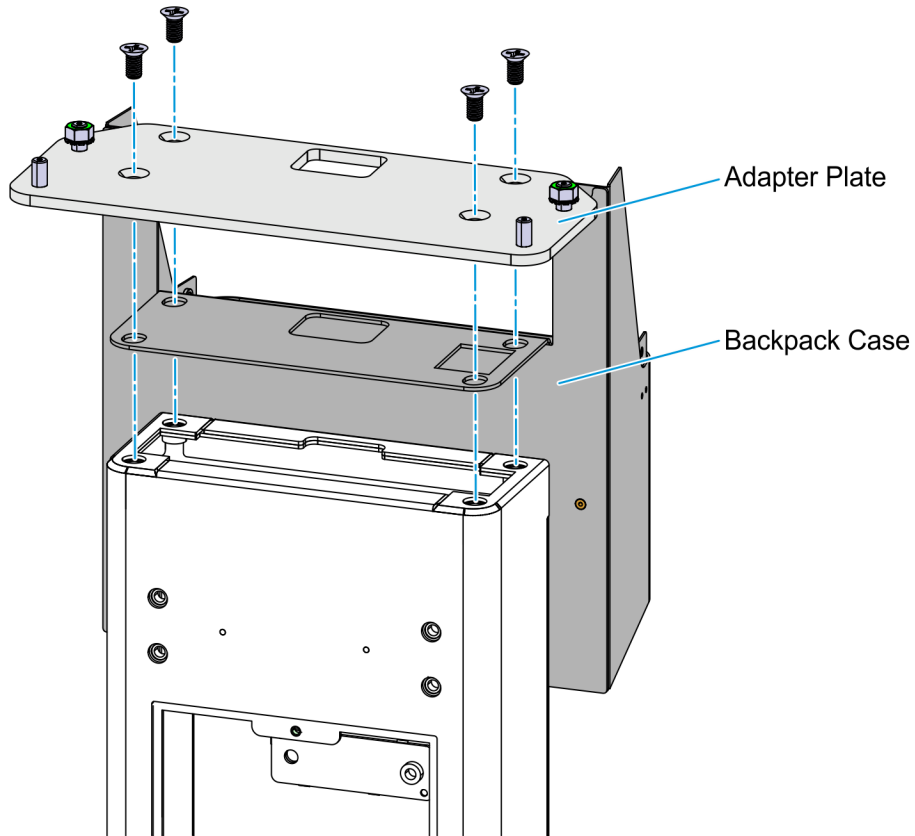
Installing the Backpack Case

1. Remove the four screws that secure the Adapter Plate to the pedestal.



CCP-78764

2. Mount the Backpack Case and the Adapter Plate onto the pedestal, ensuring that the mounting holes on the Backpack Case, Adapter Plate, and pedestal are all aligned.



CCP-78765

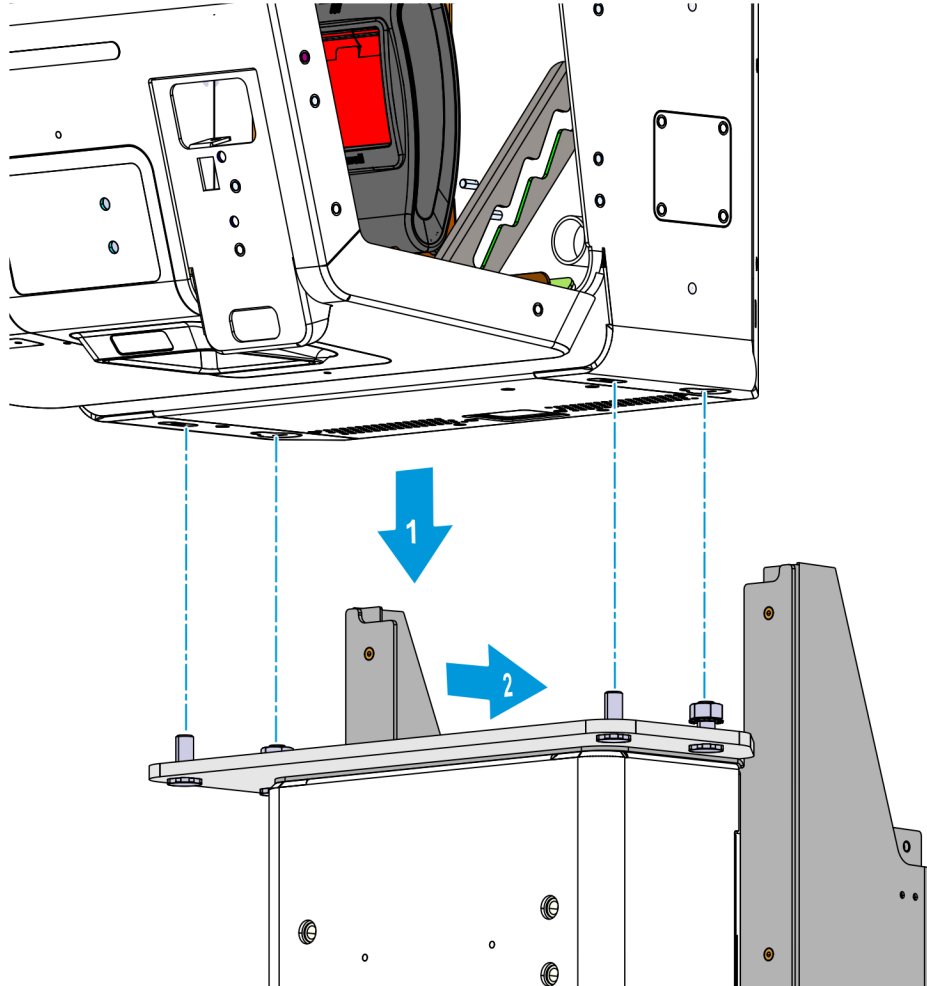
3. Install the four screws to secure the Backpack Case and the Adapter Plate to the pedestal.



Note: Do not fully tighten any screw on the first turn. Use a stepping method when tightening the screws. Tighten each screw a little at a time to evenly install the Backpack Case and the Adapter Plate to the pedestal.

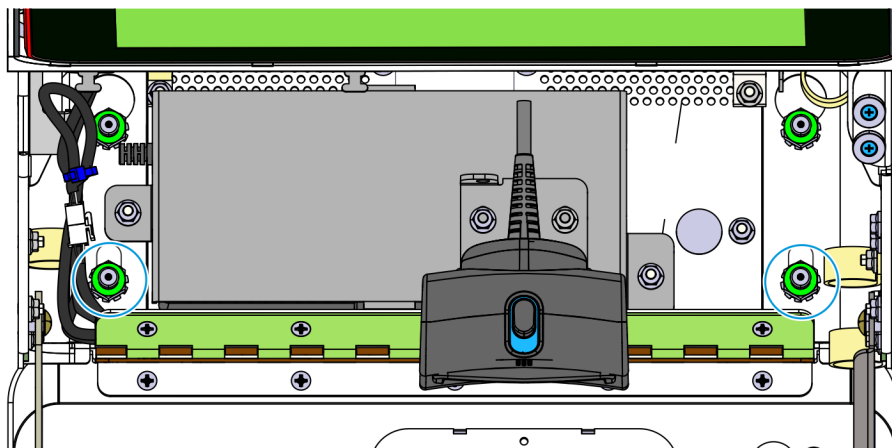
Installing the Kiosk Head

1. Position the kiosk head onto the studs on top of the Adapter Plate, and then slide the kiosk head toward the back.



CCP-78767

2. Install but do not tighten the two M8 Keps nuts on the two front studs.



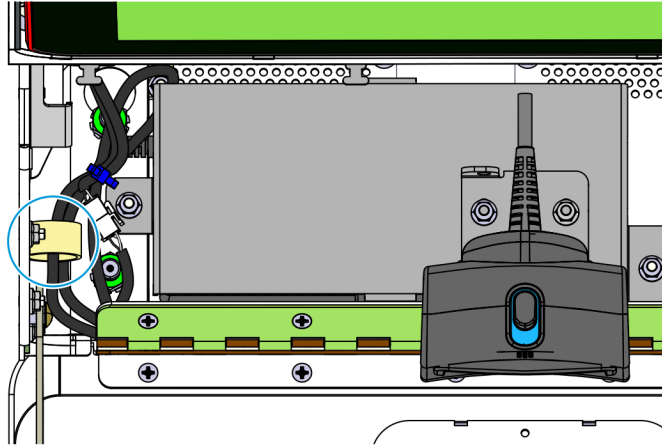
CCP-78766

3. To fully secure the kiosk, tighten the four M8 Keys nuts.



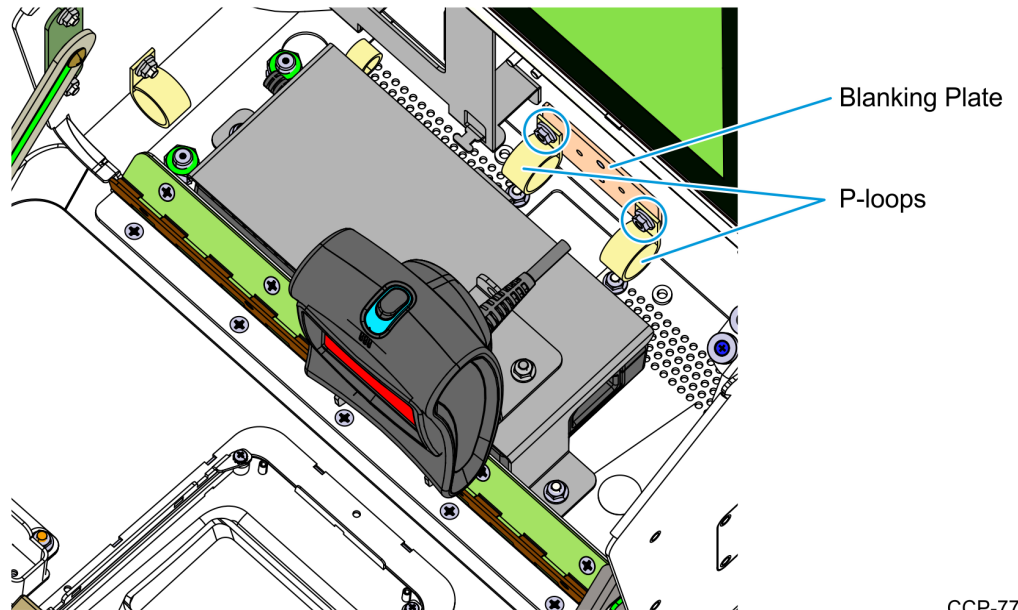
Note: Do not fully tighten any nut on the first turn. Use a stepping method when tightening the screws. Tighten each nut a little at a time to evenly install the kiosk to the pedestal.

4. Return the DC Power Cable to the p-loop indicated in the following image.



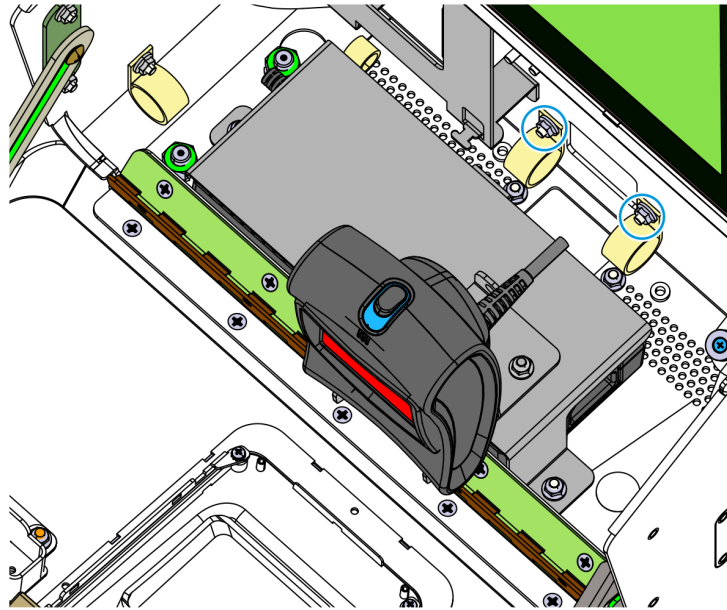
CCP-78761

5. Remove the rear blanking plate.
 - a. Remove the nuts that secure the p-loops and the rear blanking plate to the inner back surface of the lower module, and then remove the p-loops and the rear blanking plate from their mounting studs.



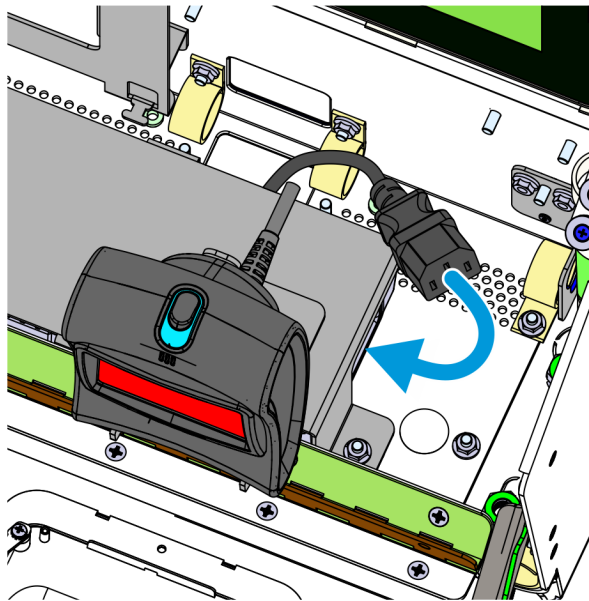
CCP-77922

- b. Re-install the p-loops onto the studs on the inner back wall of the lower module, and then secure them with nuts.



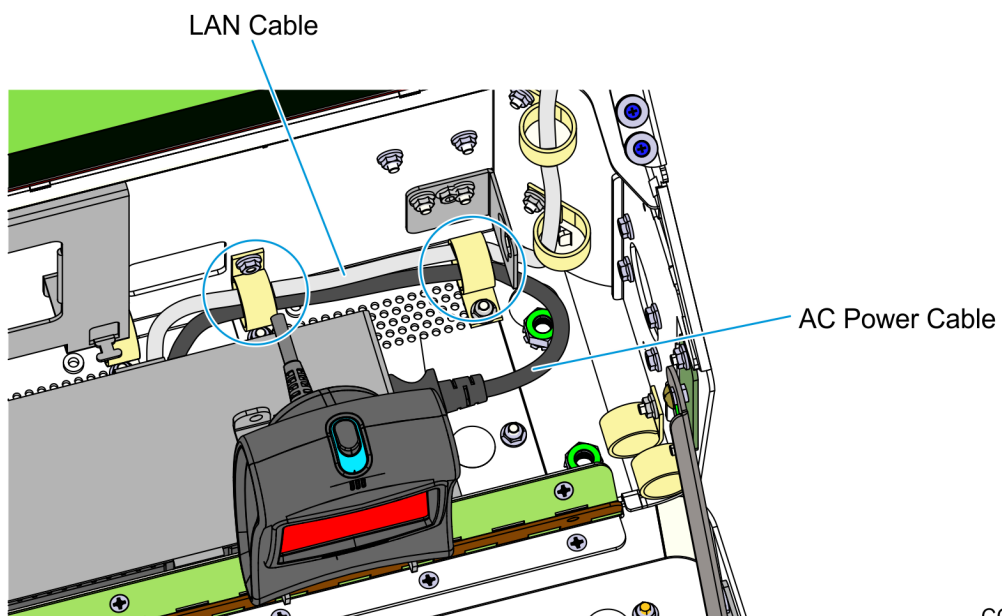
CCP-78768

6. Route the AC Power Cable back into the kiosk head and connect it to the power brick.



CCP-78786

7. Route the LAN Cable down the pedestal, through the access hole on the base of the kiosk head, and then secure both the AC Power Cable and the LAN Cable with p-loops indicated in the following image.

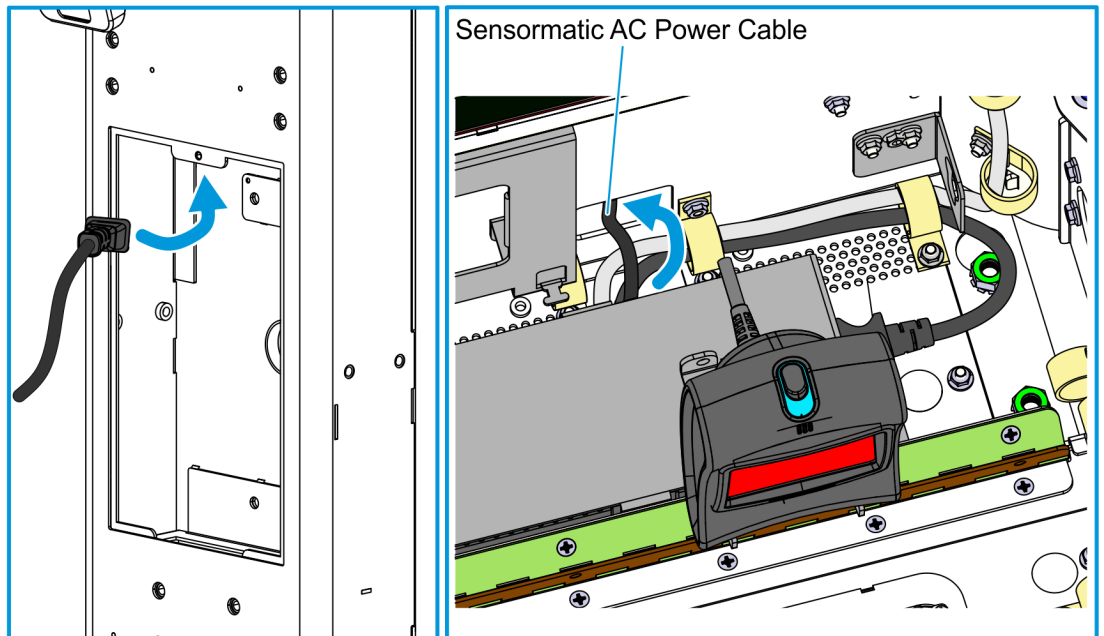


Installing the Sensormatic Controller to the Backpack Case

1. Place the Sensormatic Controller into the Backpack Case, with the controller I/O ports facing upwards.
2. Insert the controller end of the Sensormatic AC Power Cable into the Front Access Door, and route it through the bottom cable access hole and the rear cable access hole.



Caution: Do not plug the Sensormatic AC Power Cable to the Sensormatic Controller yet.

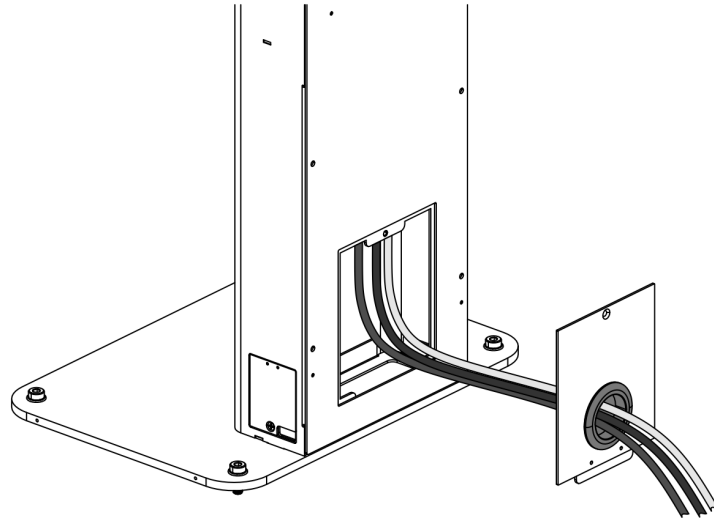


CCP-78771

3. Route the following cables out of the pedestal and through the hole of the Rear Access Door. Verify that they are long enough to reach their external connection ports.
 - Kiosk AC Power Cable
 - LAN Cable
 - Sensormatic AC Power Cable

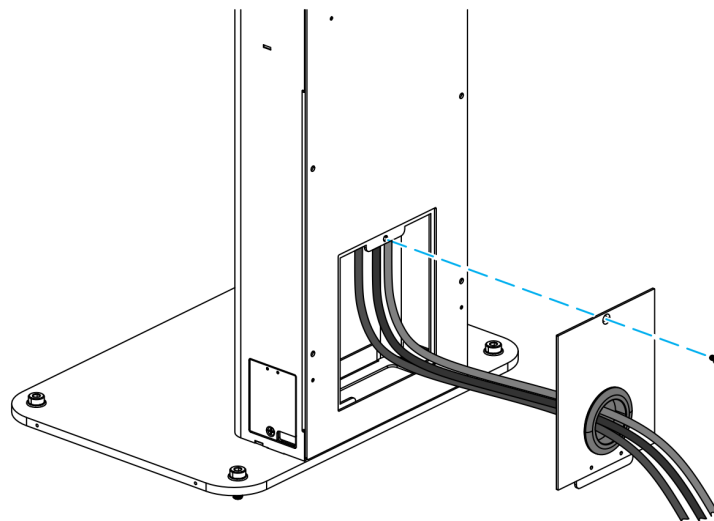


Caution: Do not plug the power cables to the power source yet.



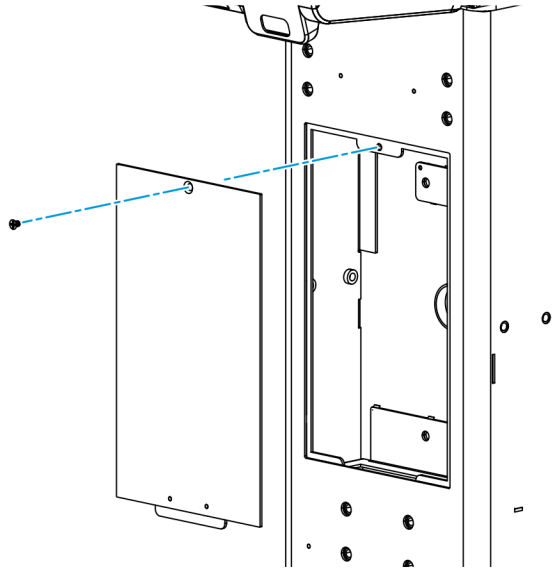
CCP-78772

4. Re-install the Rear Access Door to the pedestal and secure it with a screw.



CCP-78773

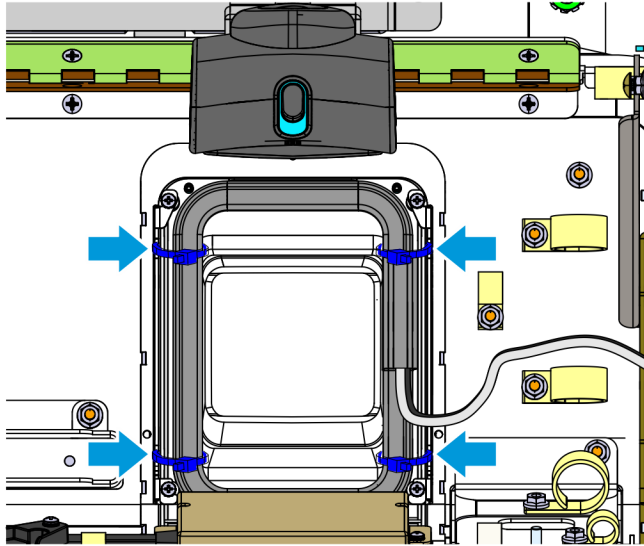
5. Re-install the Front Access Door to the pedestal and secure it with a screw.



CCP-76690

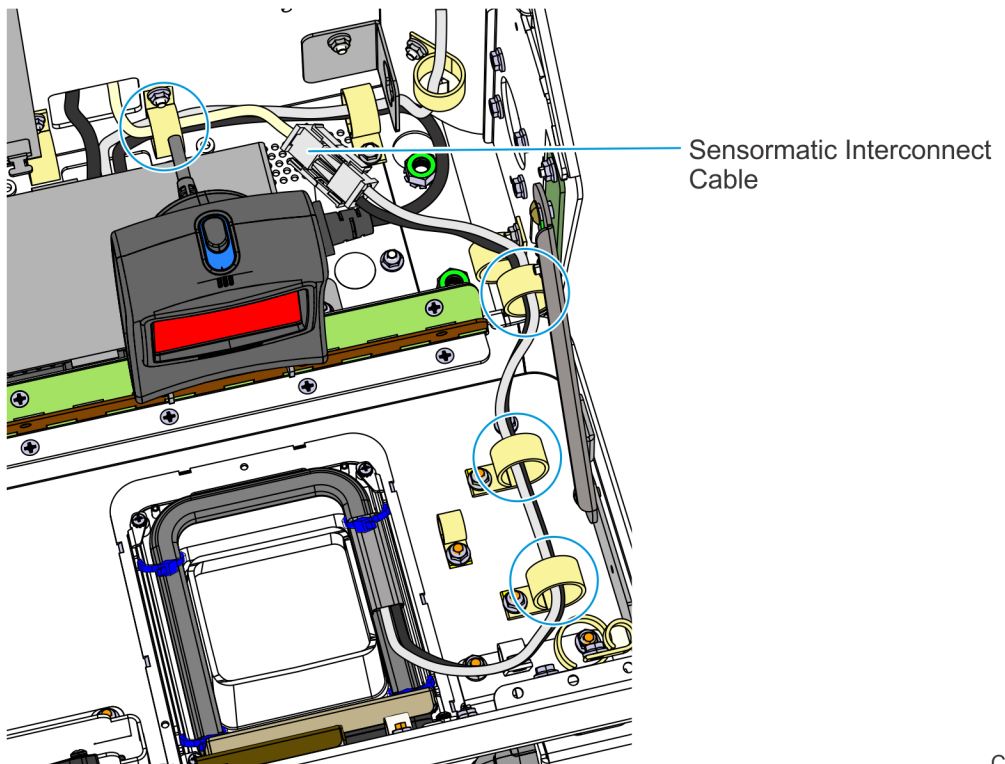
Installing Sensormatic Antenna and Power Pad Cables

1. Mount the Sensormatic Antenna onto the scanner window bezel and secure it with four cable ties.



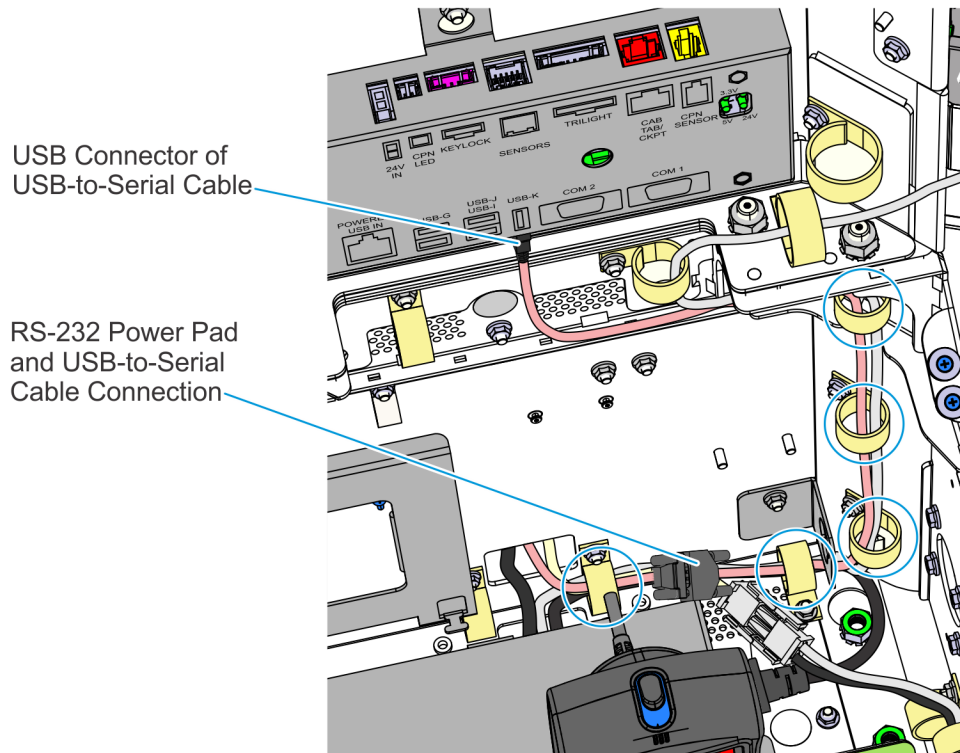
CCP-78774

2. Route the RS-232 Power Pad Cable and the Antenna Cable into the cabinet through the rear access hole.
3. Route the Sensormatic Antenna Cable through the p-loops indicated in the following image and connect it to the Sensormatic Interconnect Cable.



CCP-78775

4. Connect and route the RS-232 Power Pad Cable and the USB-to-Serial Cable.



- a. Connect the USB connector of the USB-to-Serial Cable to a vacant USB port of the KIO Board.
- b. Route the USB-to-Serial Cable downward, securing it to the p-loops along its route, and connect its serial end to the RS-232 Power Pad Cable.

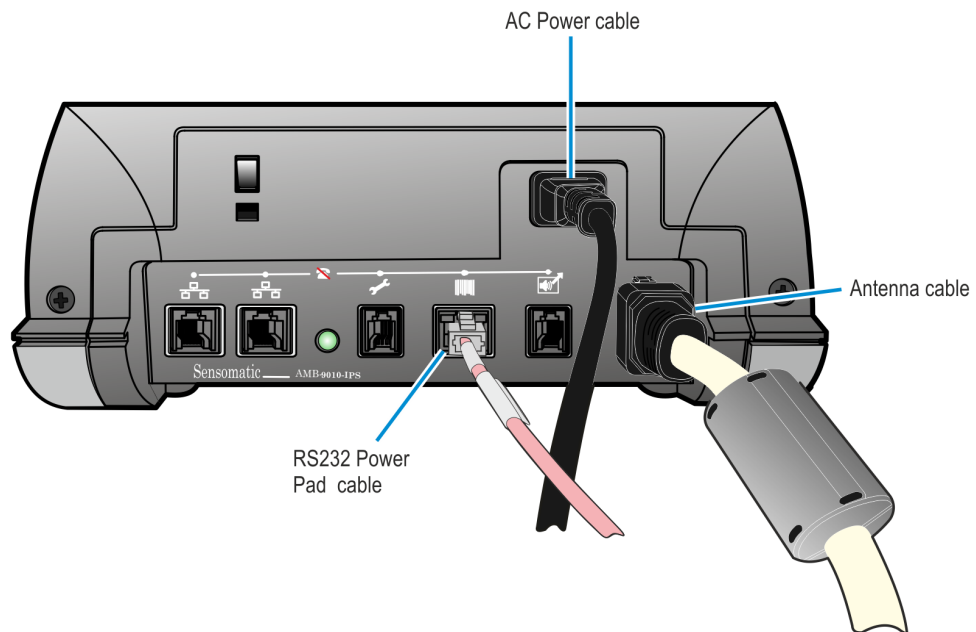
Connecting Cables to the Sensormatic Controller

⚠ Caution: Before connecting the cables, make sure that the Sensormatic Controller power is OFF.

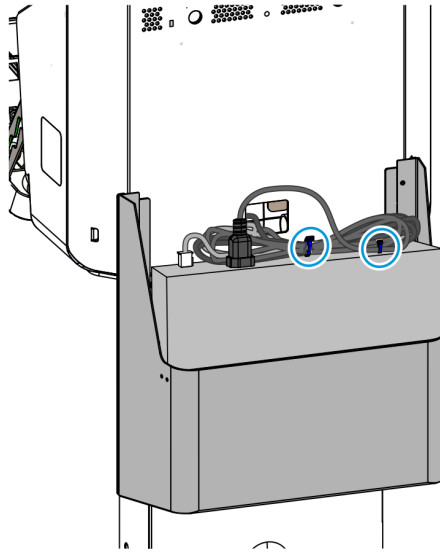
1. Connect the Sensormatic cables to the Sensormatic Controller ports in the following order:

⚠ Caution: To avoid damage to the controller, DO NOT reverse the order of connecting the Sensormatic cables, and DO NOT connect or disconnect the cables from the controller when power is ON.

- a. RS-232 Power Pad Cable
- b. Antenna Cable
- c. Sensormatic AC Power Cable

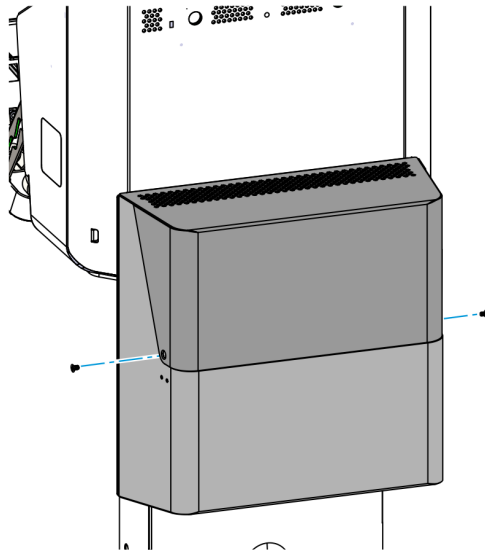


2. Use cable ties to bundle the excess length of Sensormatic cables and place the bundle on top of the Sensormatic Controller.



CCP-7877

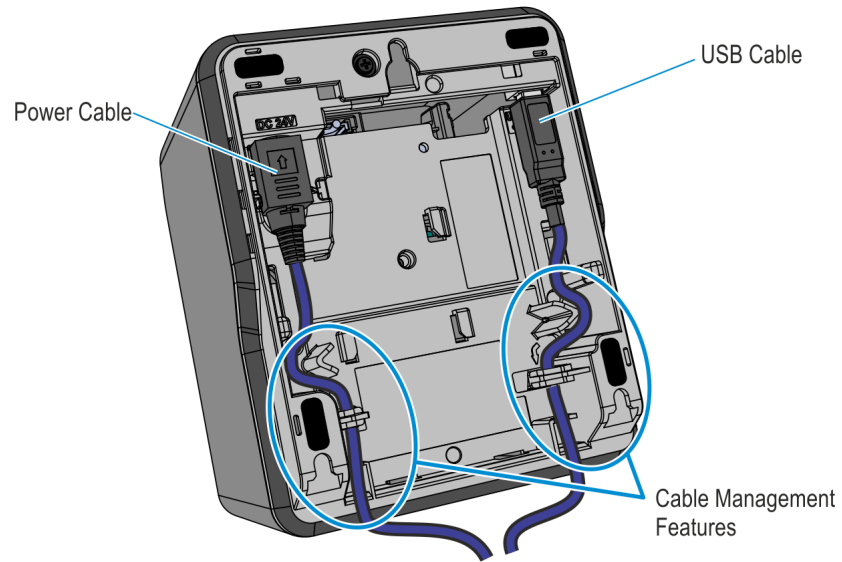
3. Mount and secure the Sensormatic Case Cover.



CCP-7878

Installing the Receipt Printer

1. Connect the Power and USB cables to the rear side of the printer. Route the cables downward and secure them using the cable management features in the printer.

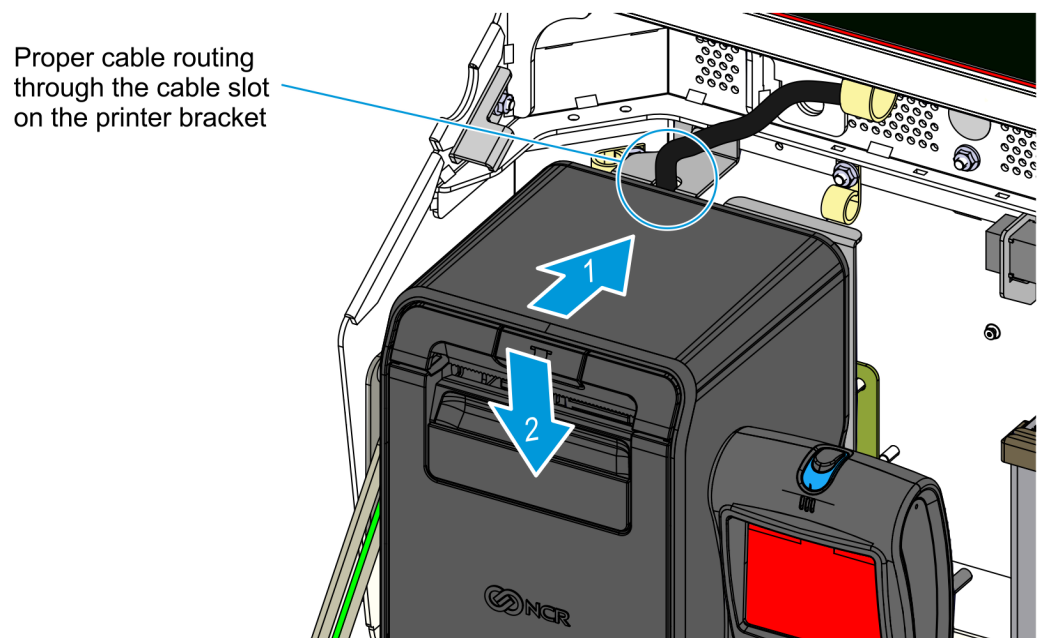
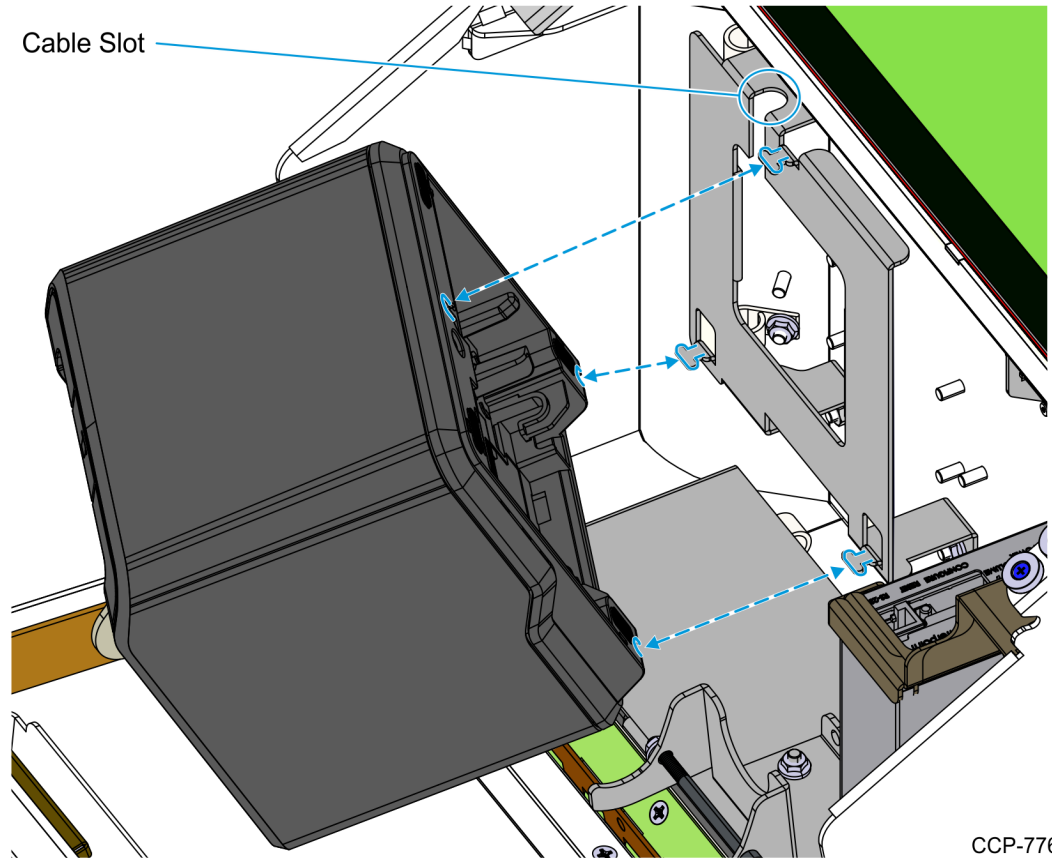


CCP-73161

2. Mount the printer to its bracket using the hook features and slide it down to lock it in place, while inserting the cable to the cable slot on the bracket.



Note: To avoid damaging the printer when the door is closed, ensure that the printer is properly hooked to its bracket.



Installing the Coupon Bin

- Hook the Coupon Bin to its two mushroom studs.

