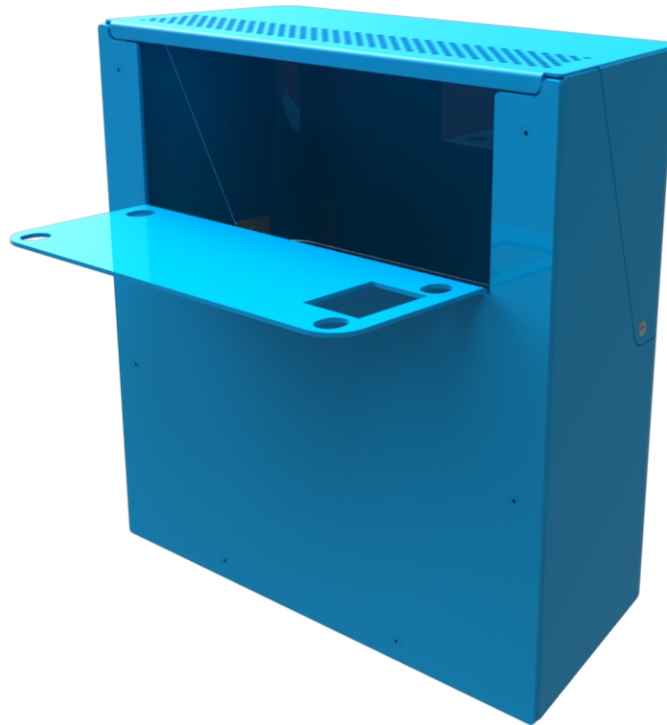


KIT INSTRUCTIONS

**NCR SelfServ™ 90 (7709)
Sensormatic Backpack (Walmart Blue)**



7709-K741
Issue A



The product described in this book is a licensed product of NCR Corporation.

NCR is a registered trademark of NCR Corporation. NCR SelfServ™ is a trademark of NCR Corporation in the United States and/or other countries. Other product names mentioned in this publication may be trademarks or registered trademarks of their respective companies and are hereby acknowledged.

The terms HDMI and HDMI High-Definition Multimedia Interface, and the HDMI Logo are trademarks or registered trademarks of HDMI Licensing LLC in the United States and other countries.

Where creation of derivative works, modifications or copies of this NCR copyrighted documentation is permitted under the terms and conditions of an agreement you have with NCR, NCR's copyright notice must be included.

It is the policy of NCR Corporation (NCR) to improve products as new technology, components, software, and firmware become available. NCR, therefore, reserves the right to change specifications without prior notice.

All features, functions, and operations described herein may not be marketed by NCR in all parts of the world. In some instances, photographs are of equipment prototypes. Therefore, before using this document, consult with your NCR representative or NCR office for information that is applicable and current.

To maintain the quality of our publications, we need your comments on the accuracy, clarity, organization, and value of this book. Please use the link below to send your comments.

EMail: FD230036@ncr.com

Copyright © 2016
By NCR Corporation
Duluth, GA U.S.A.
All Rights Reserved

Revision Record

Issue	Date	Remarks
A	Apr 2017	First Issue

Sensormatic Backpack (Walmart Blue)

Introduction

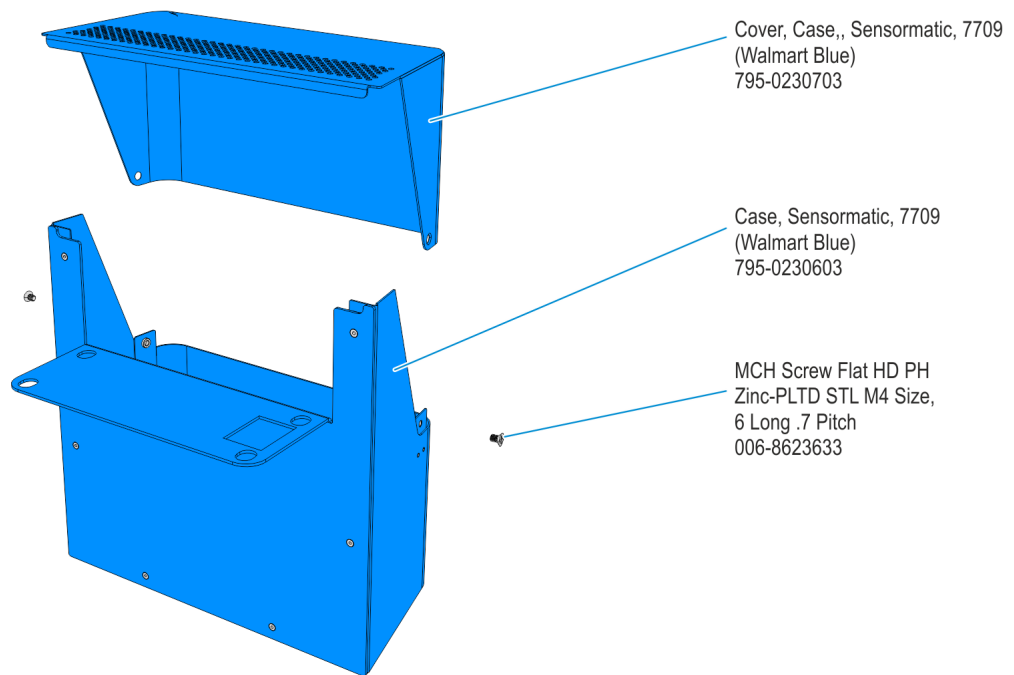
This kit provides the components to install a Walmart Blue Backpack mount for a Sensormatic controller when integrated to the NCR SelfServ™ 90 Kiosk.

This kit instruction sheet is to be used with the kit instructions for Kit 7709-K738.







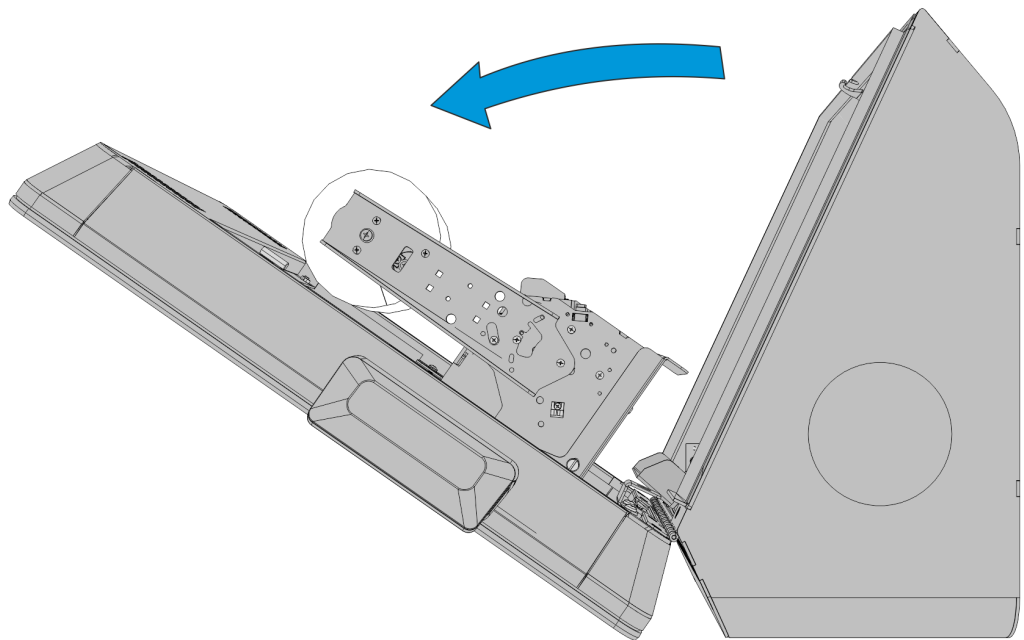
Note: The Sensormatic Controller, Antenna, and Antenna Brackets are customer supplied.

Kit Contents

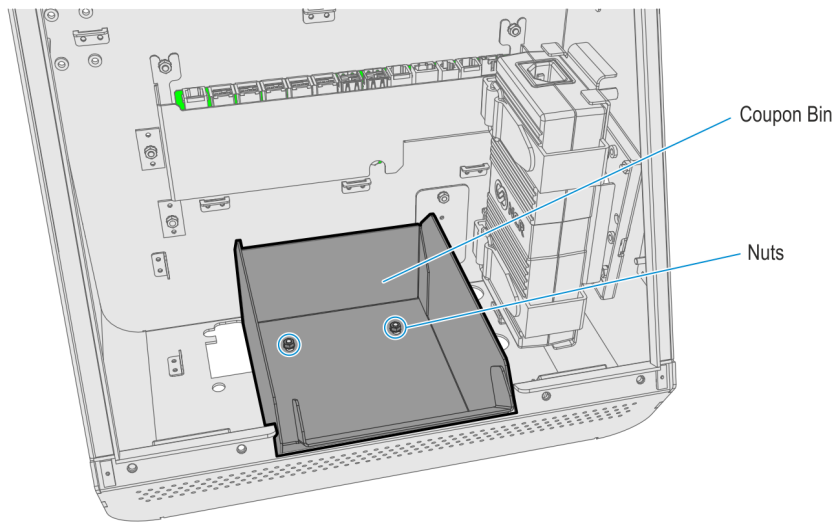


Installation Procedure

-  **Warning:** Disconnect the AC power cord before disassembling the Terminal.
 -  **Caution:** Do not connect or disconnect the Sensormatic Antenna or any Sensormatic Cable to the Sensormatic Controller when power is ON as this damages the controller.
 -  **Caution:** Make sure that the cables are routed as shown. Sensormatic Modules give off strong electrical discharge that may damage other modules.
 -  **Caution:** Static Electricity Discharge may permanently damage your system. Discharge any static electricity build up in your body by touching your terminal's exterior panels for a few seconds. Avoid any contact with internal parts and handle cards only by their external edges.
1. Shutdown and power off the terminal.
 2. Open the front of the kiosk.



3. Remove the two nuts securing the coupon bin to the kiosk cabinet and remove the coupon bin.



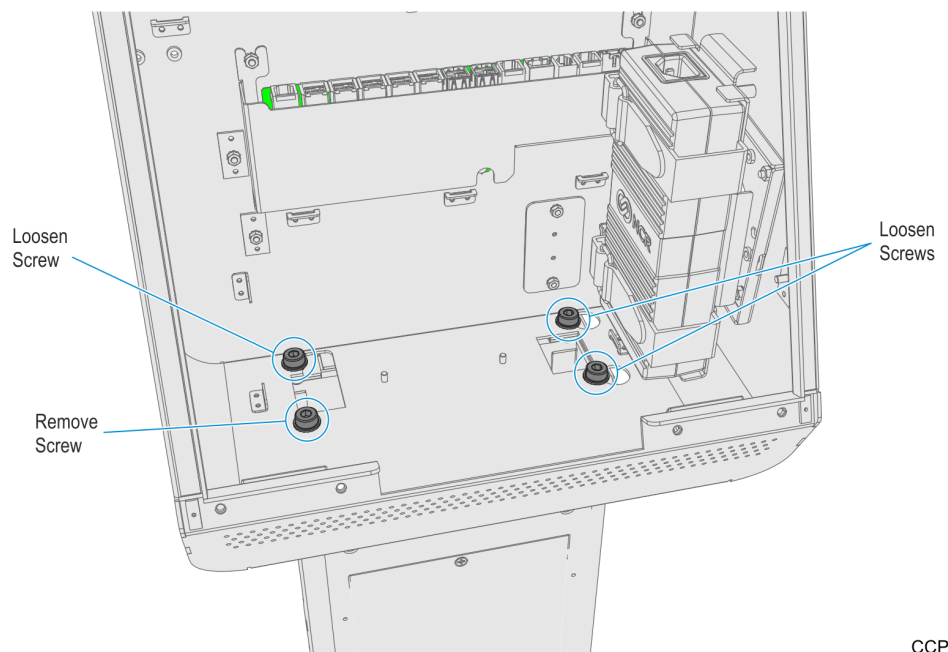
CCP-60825

4. Remove the Kiosk Counter Top Unit from the pedestal.



Caution: When loosening and removing the screws securing the kiosk to the pedestal, make sure that the kiosk is properly supported and will not fall off the pedestal.

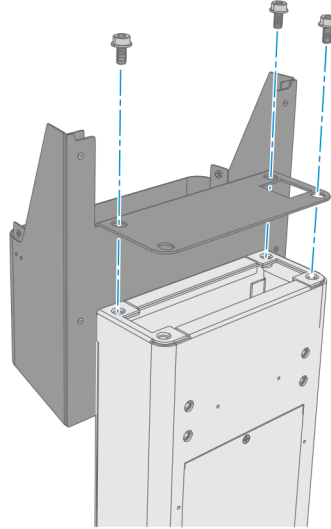
- a. Remove one screw and loosen three screws securing the kiosk to the pedestal.



CCP-60826

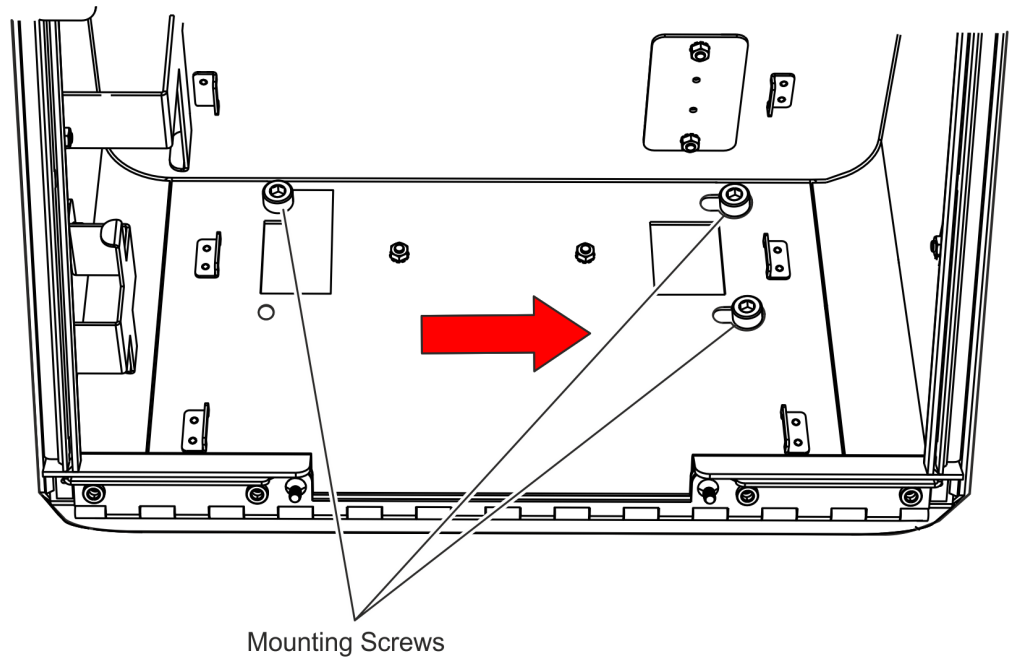
- b. Slide the kiosk to the left and lift up and off of the pedestal.

- c. Remove the three remaining mounting screws from the pedestal.
5. Position the backpack case on the pedestal aligning their mounting holes, then install three screws just enough to secure the case to the pedestal but leaving room to insert and slide the kiosk under the screw heads.



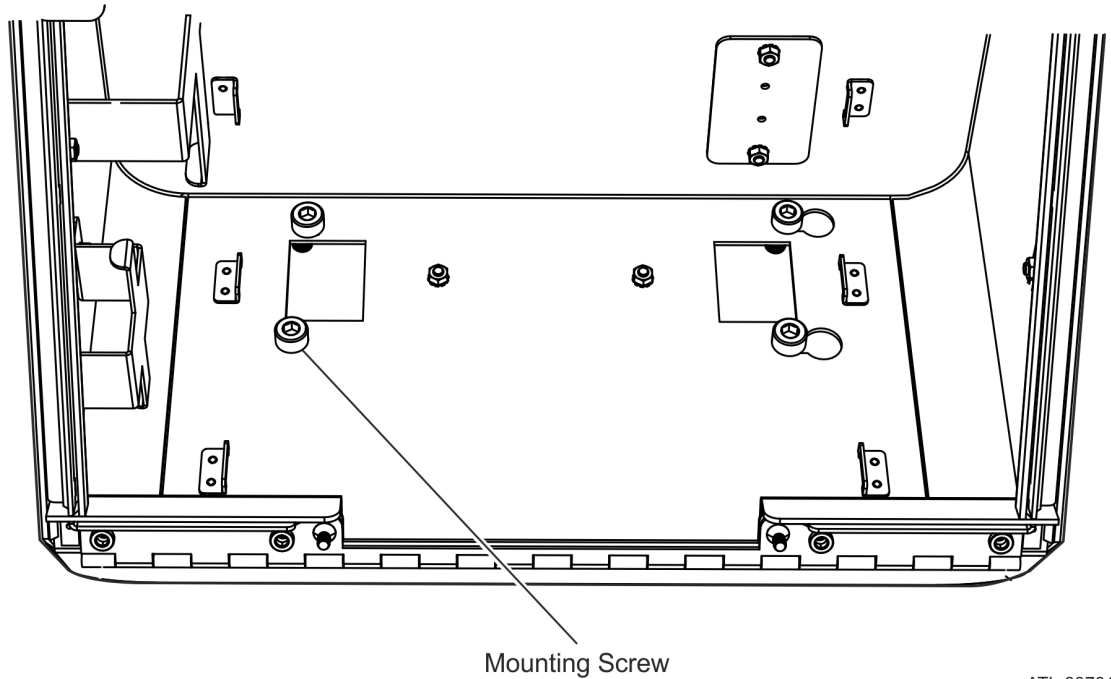
CCP-60827

6. Position the kiosk on top of the pedestal inserting its mounting holes to the screws, then slide the cabinet to the right.



ATL-33780

7. Install the fourth mounting screw and tighten all mounting screws to secure the Sensormatic case and kiosk counter top unit to the pedestal.

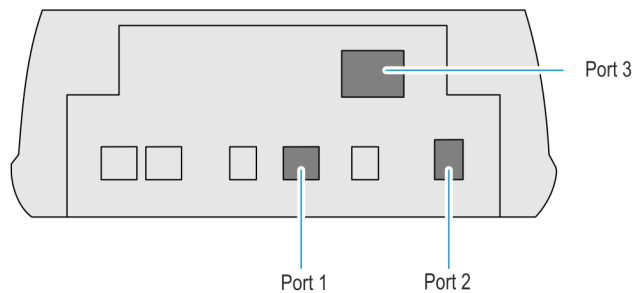


ATL-33781

8. Mount the coupon bin to the inside the kiosk cabinet and secure with screws (2).
9. Place the Sensormatic controller into the backpack with its I/O ports facing upwards.
10. Make sure that the Sensormatic Controller is OFF and connect the Sensormatic Cables to the Sensormatic Controller ports in the following order:

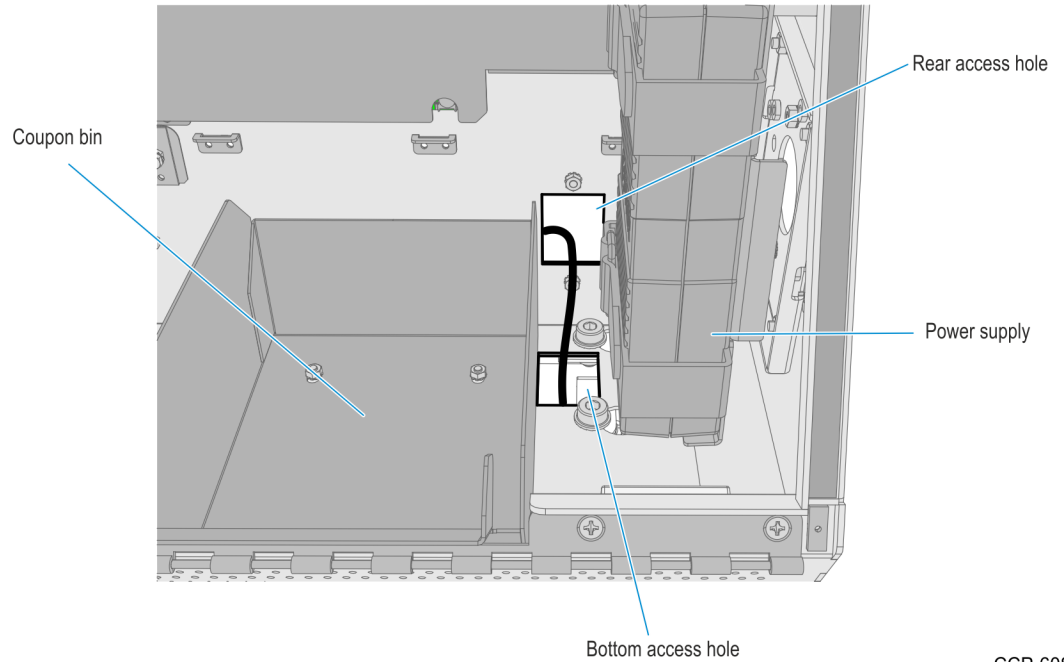
⚠ Caution: To avoid damage to the Sensormatic Controller, Do NOT reverse the order of connecting the Sensormatic Controllers and Do NOT connect or disconnect the cables to the controller when power is ON.

- a. RS232 Power Pad Cable connect to Port 1
- b. Antenna Cable connect to Port 2
- c. AC Power Cable connect to Port 3



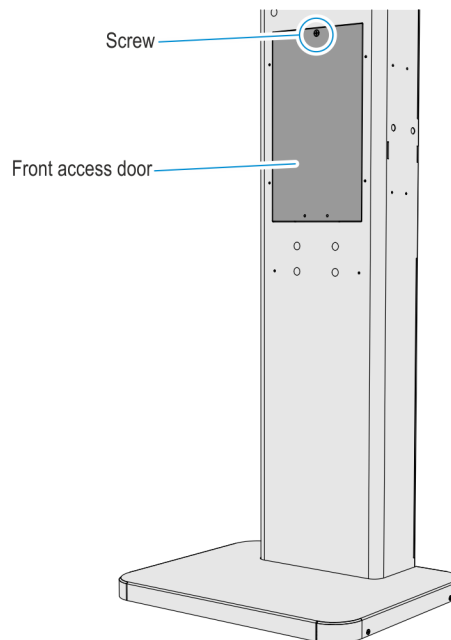
CCP-60873

11. Route the Sensormatic Cables into the cabinet through the rear access hole.
12. Inside the Kiosk, route the Sensormatic AC Power Cable down into the pedestal through the access hole at the bottom panel of the cabinet, between the power supply and coupon bin.



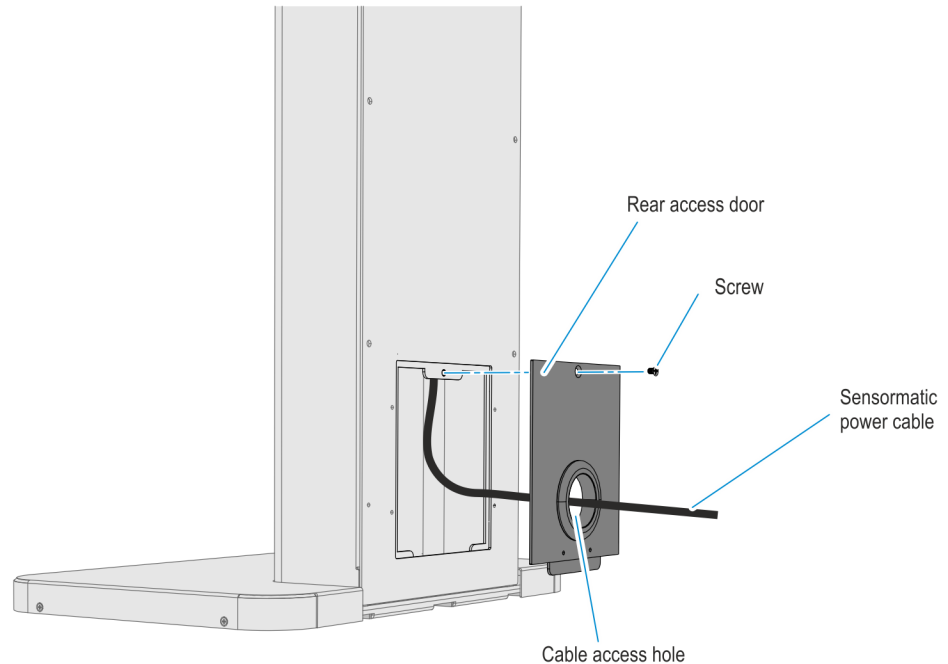
CCP-60857

13. Remove the screw (1) that secures the front access door to the pedestal and remove the door.



CCP-60855

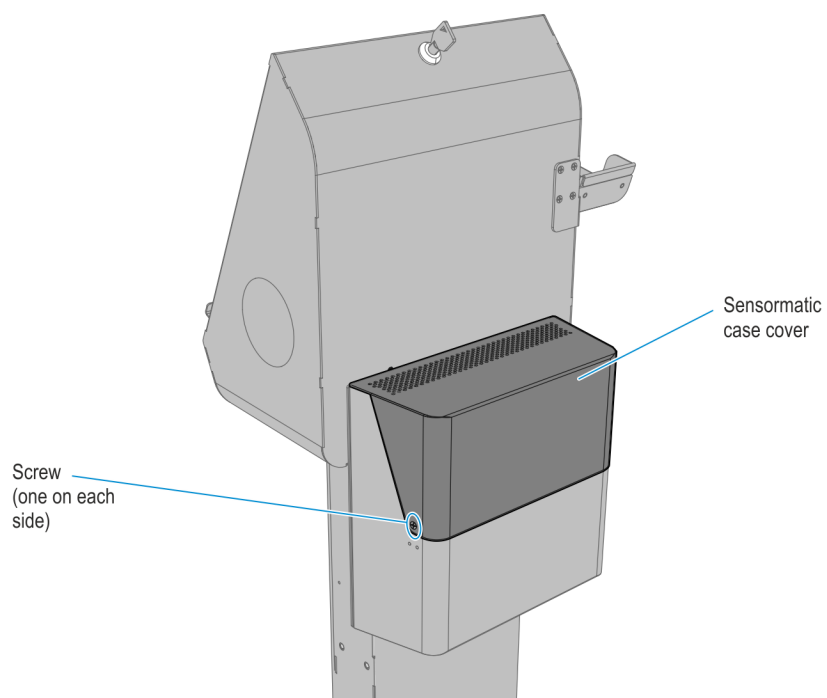
14. Route the power cable towards the rear access door at the bottom of the pedestal.
15. At the rear side of the pedestal, remove the screw (1) that secures the rear access door to the pedestal and detach the door just enough to feed the power cable through the cable access hole.



CCP-60856

16. Check the length of the power cable if it is long enough to reach the AC power source but do NOT plug the cable yet.
17. Install the Sensormatic Antenna and Imager Shield casing as required. Refer to the 7709-K738 instruction sheet for the installation procedure.
18. Connect the Sensormatic Antenna Cable and USB to RS232 Cable to the Sensormatic Cables. Refer to the Cable Routing section below for more information.

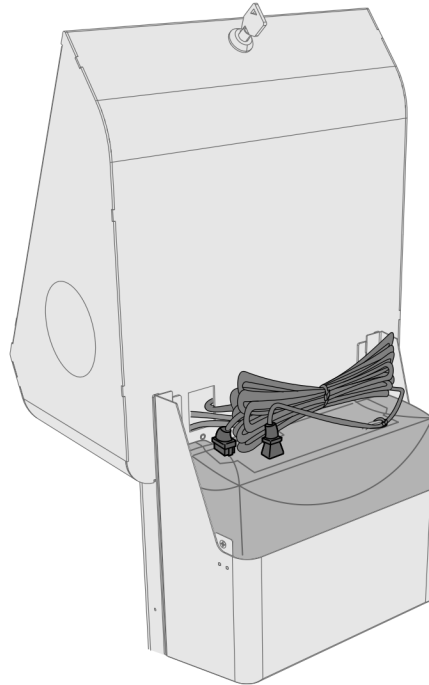
19. Mount and secure the Sensormatic Cover to the case, safely tucking in the cable bundle.



CCP-60575

Cable Routing

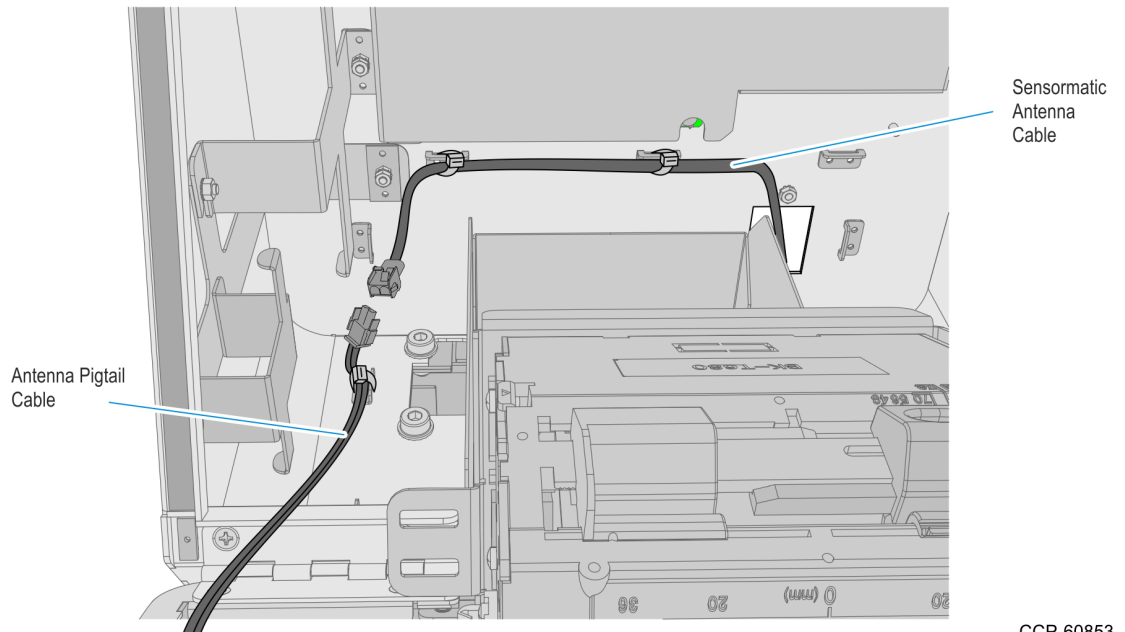
The Sensormatic cables below are routed as described in the 7709-K738 Kit Instructions. After installing the cables, bundle the extra cable lengths with a cable tie and place the bundle at the top of the sensormatic controller.



CCP-60858

Sensormatic Antenna Cable

1. Route the antenna pigtail cable into the cabinet at the space on the left-hand side of the coupon bin and secure it with a cable tie.
2. Route the sensormatic antenna cable towards the antenna pigtail cable and plug the connectors together.
3. Use cable ties to secure the cable with other cable bundles along its route as necessary.



RS232 Power Pad and USB to RS232

1. Connect the RS232 Power Pad cable to the USB to RS232 cable. Place the connectors at the space between the power supply and coupon bin.
2. Route USB to RS232 cable towards the motherboard and plug the USB connector to the **USB A** port of the motherboard.

