

Kit Instructions

NCR SelfServ™ go (7709) Customized Pedestal
Walmart (Midnight Blue)



7709-K810
Issue A



The product described in this book is a licensed product of NCR Corporation.

NCR is a registered trademark of NCR Corporation. NCR SelfServ™ is a trademark of NCR Corporation in the United States and/or other countries. Other product names mentioned in this publication may be trademarks or registered trademarks of their respective companies and are hereby acknowledged.

The terms HDMI and HDMI High-Definition Multimedia Interface, and the HDMI Logo are trademarks or registered trademarks of HDMI Licensing LLC in the United States and other countries.

Where creation of derivative works, modifications or copies of this NCR copyrighted documentation is permitted under the terms and conditions of an agreement you have with NCR, NCR's copyright notice must be included.

It is the policy of NCR Corporation (NCR) to improve products as new technology, components, software, and firmware become available. NCR, therefore, reserves the right to change specifications without prior notice.

All features, functions, and operations described herein may not be marketed by NCR in all parts of the world. In some instances, photographs are of equipment prototypes. Therefore, before using this document, consult with your NCR representative or NCR office for information that is applicable and current.

To maintain the quality of our publications, we need your comments on the accuracy, clarity, organization, and value of this book. Please use the link below to send your comments.

Email: FD230036@ncr.com

Copyright © 2017
By NCR Corporation
Duluth, GA U.S.A.
All Rights Reserved

Revision Record

Issue	Date	Remarks
A	Sept 2017	First Issue

7709 Walmart Customized Pedestal (Midnight Blue)

Introduction

This kit provides the components to add the following features to the SelfServ™ 90 Kiosk:

- Midnight Blue Pedestal with Bag Rack and Front Shelf
- Handheld Scanner Mount
- PIN Pad Mount for Ingenico ISC250

The following devices are customer supplied and are not included in this kit:

- Handheld Scanner
- Ingenico ISC250

Kit Contents

SS90 Hole Cover Label - MidnightBlue
795-0231604

(4) Anchor Bolt, Concrete, 3/8-inchx3-inches, Zinc-Plated Steel
006-8626520

Pedestal Assembly

(4) Screw, M8 x 16, Socket Cap, Flanged
006-8624161

(4) Screw, M3 x 0.5 8mm, Philips, FH
006-8604919

(2) Screw, M4 x 6mm, FH
006-8622588

Nut, Kep, M4
006-8611753

Grommet, 50mm Cut Diameter, 41mm Inner Diameter
006-8624070

(8) Screw, M6x12, Socket Head, Alloy Steel, Zinc-Plated
006-8624050

Front Door (Walmart Blue)
795-0215103

Weldment, Column Pedestal (Midnight Blue)
795-0214903

Back Door (Walmart Blue)
795-0215303

Base Cover (Impact Mid Silver)
795-0215002

Bagger - London Kiosk
497-0506035

Front Shelf
497-0506273

(4) Screw, M4x10 Flat Head, Phillips, Black Oxide
006-8622623

Bracket, handheld, Sscanner
497-0509833

Holster, Scanner, Handheld
497-0509697

(2) Acorn Nut, M4x0.7mm Thread, 3.86 mm Thread Depth, Black Oxide Finish
006-8624472

SP2 Angular Arm, Internal C/M
497-0510539

Ingenico ISC250 PIN Pad Mount
497-0511699

Installation Procedure



Caution: Make sure that the cables are routed as shown. Some units may have installed Sensormatic Modules which give off strong electrical discharge that may damage other modules.

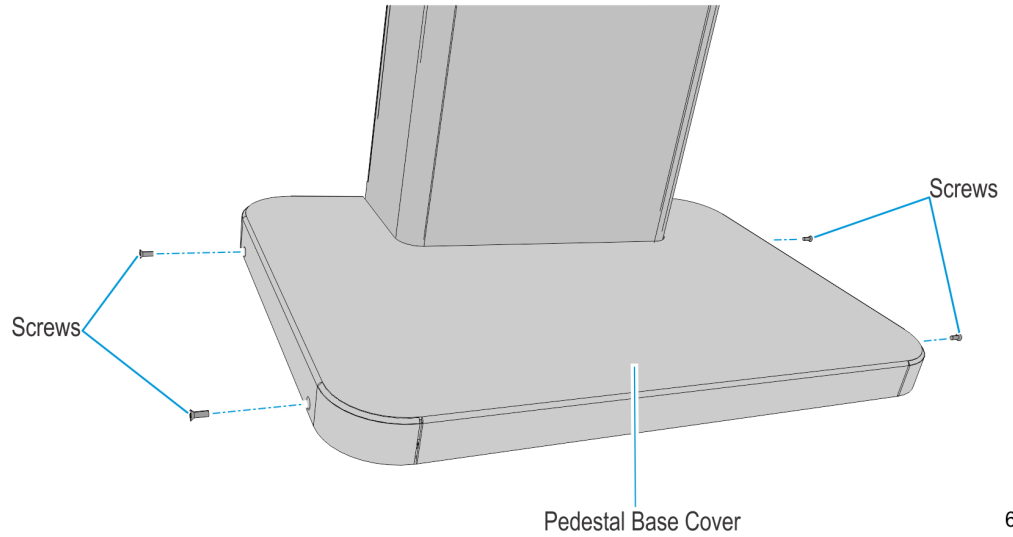


Caution: Static Electricity Discharge may permanently damage your system. Discharge any static electricity build up in your body by touching your computer's case for a few seconds. Avoid any contact with internal parts and handle cards only by their external edges.

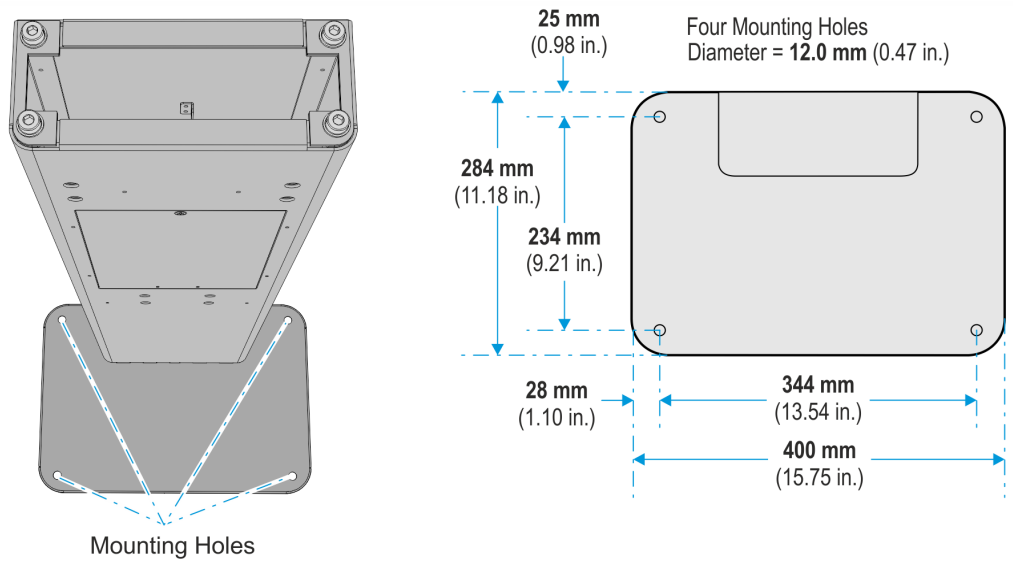
1. [Install the Pedestal.](#)
2. [Install the Handheld Scanner mount.](#)
3. [Install the PIN Pad Arm mount.](#)
4. Turn ON and close the Kiosk.

Installing the Pedestal

1. Determine the location of the Pedestal. Verify that this position permits access to the AC Power Receptacle and the LAN Cable. Also, make sure that there is necessary access and service clearance. Refer to the NCR SelfServ™ 90 (7709) Site Preparation Guide.
2. Remove the Pedestal Base Cover by removing the screws (4) that secure it to the base.

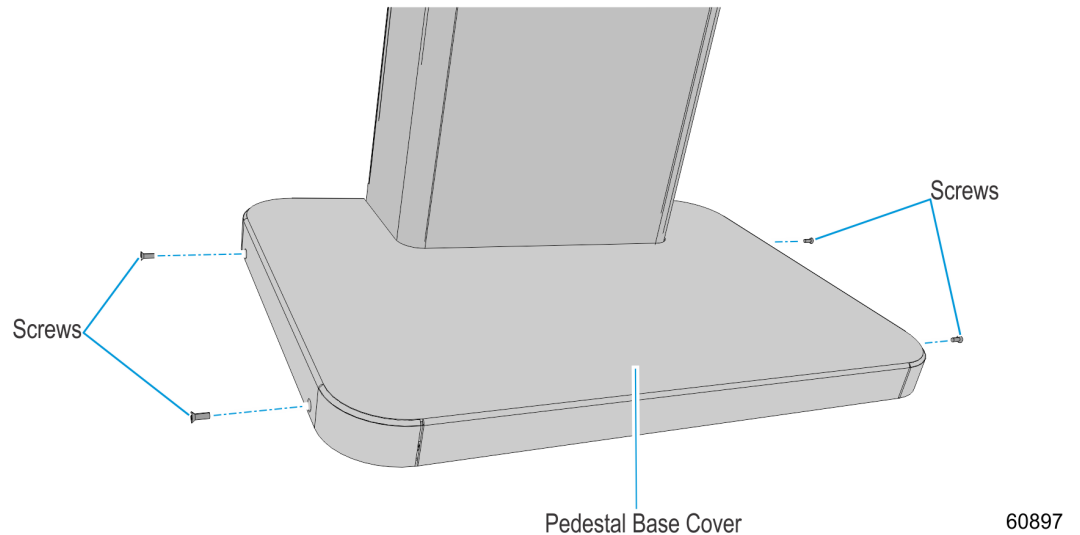


3. Mark the anchor holes (4) in the pedestal base on the floor. Remove the pedestal.

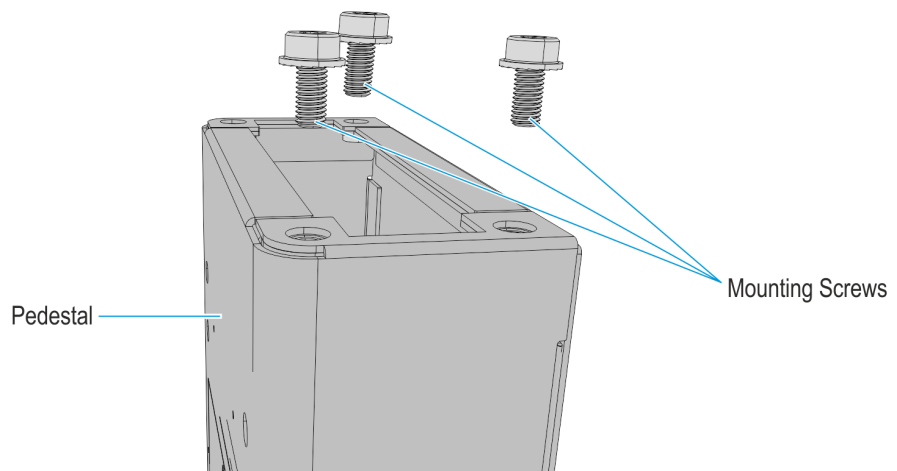


Recommended Bolt Specification:
 Size: **M10** (3/8 in.) Socket Cap Bolts
 Length: **76 mm** (3 in.)
 Allen Key Size for Bolt Head: **8mm** (5/16 in.)

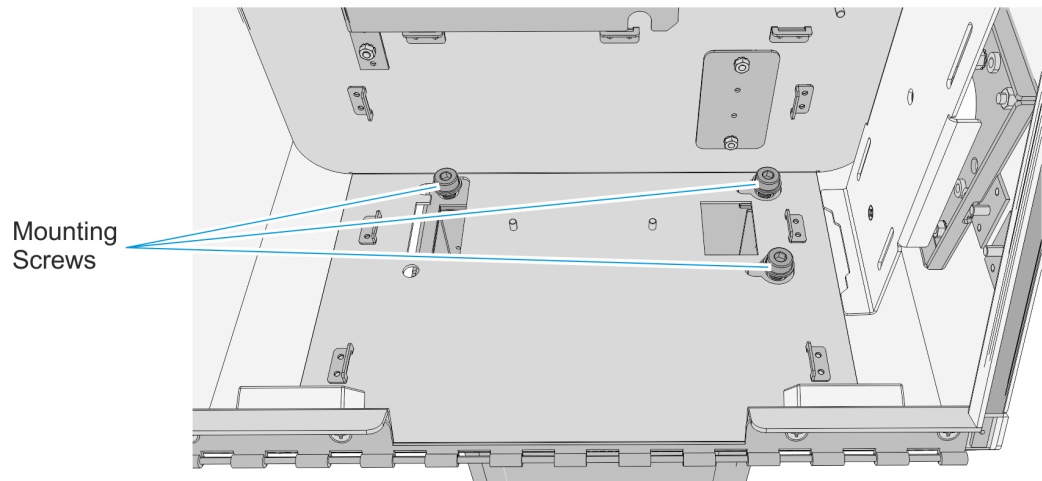
4. Drill the holes (4) in the floor as needed for the anchors.
5. Position the pedestal back in the installed location and install the four anchors. Make sure that the anchors do not extend up above the top of the Pedestal Base more than **12.7 mm** (0.5 in.).
6. Install the Pedestal Base Cover and secure it with screws (4).



7. Install the Mounting Screws (3) on the pedestal. Partially tighten the screws,, leaving room for the kiosk cabinet to slide under the screw heads and lock-washers. Use a **6 mm** (15/64 in.) Allen Key to drive the screws.

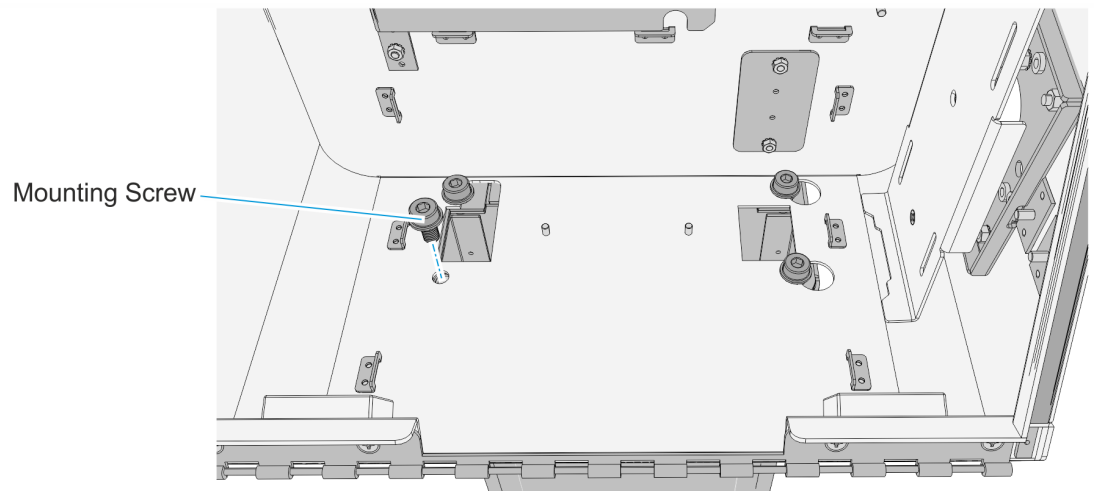


8. Position the kiosk on top of the pedestal with the Mounting Screws (3) extending up through the keyholes in the bottom of the kiosk cabinet and then slide the kiosk cabinet to the right.



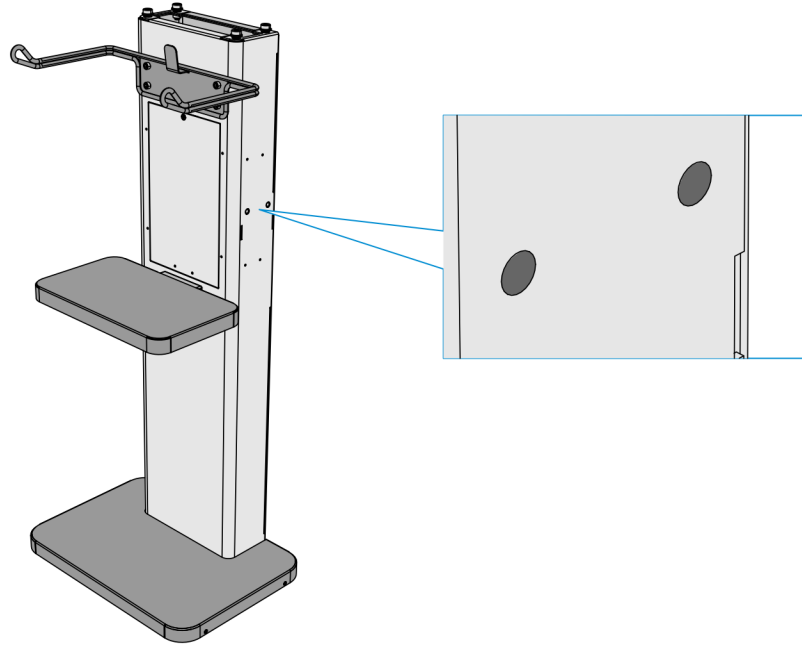
60894

9. Install Mounting Screw (1) through the remaining mounting hole. Tighten all Mounting Screws (4).



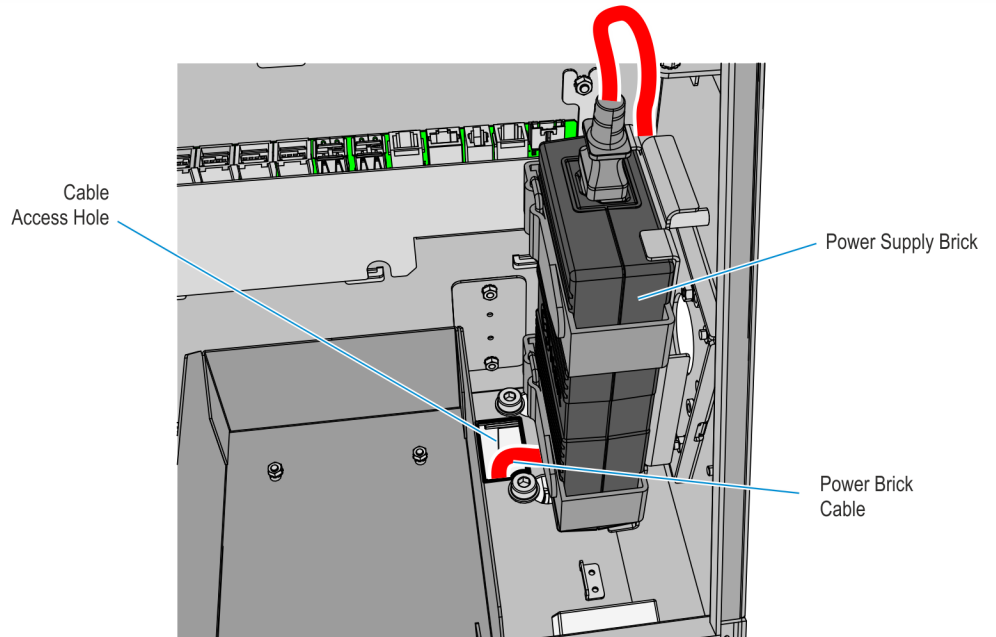
60893

10. If there are no side shelves required to be installed to the pedestal, cover the side mounting holes using the SS90 Hole Cover Label. There are two (2) mounting holes on each side of the pedestal.



CCP-72608

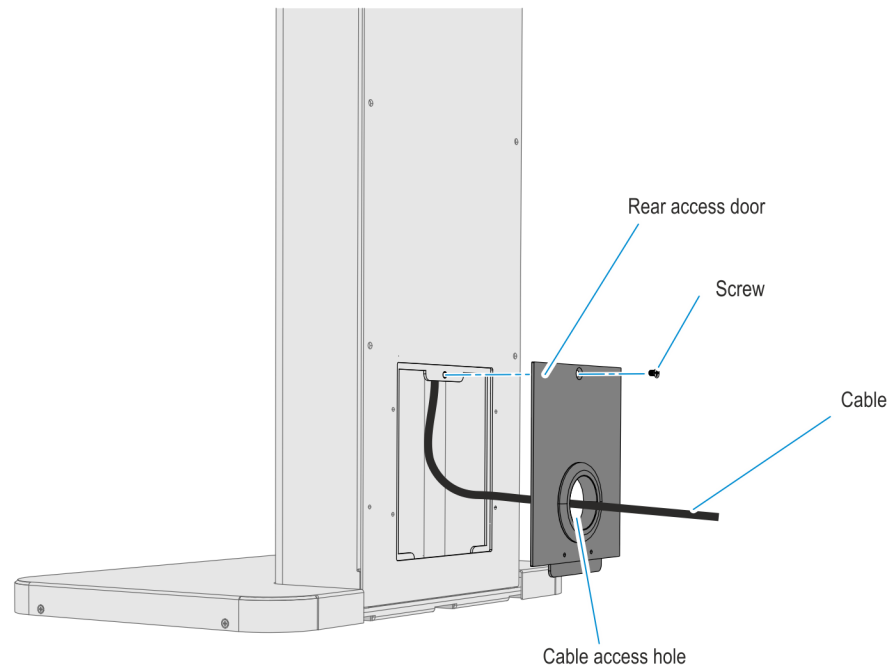
11. Route the Power Brick Cable from the Kiosk Cabinet downward into the Pedestal through the right-hand bottom access hole.



CCP-72609

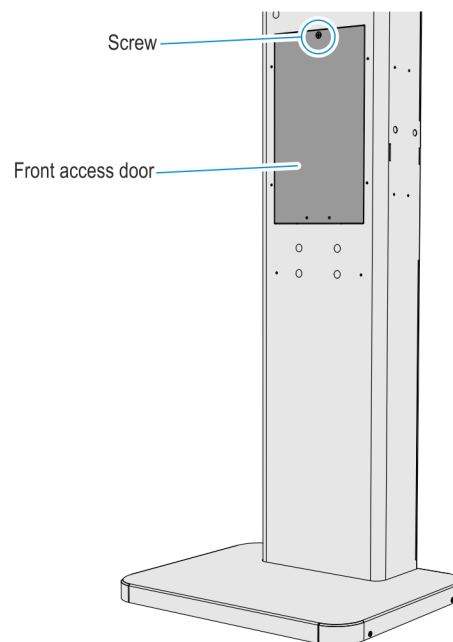
12. Remove the Pedestal Back Cover by removing a screw securing it to the Pedestal.

13. Insert the AC Cable out of the Pedestal through the hole on the Back Cover.



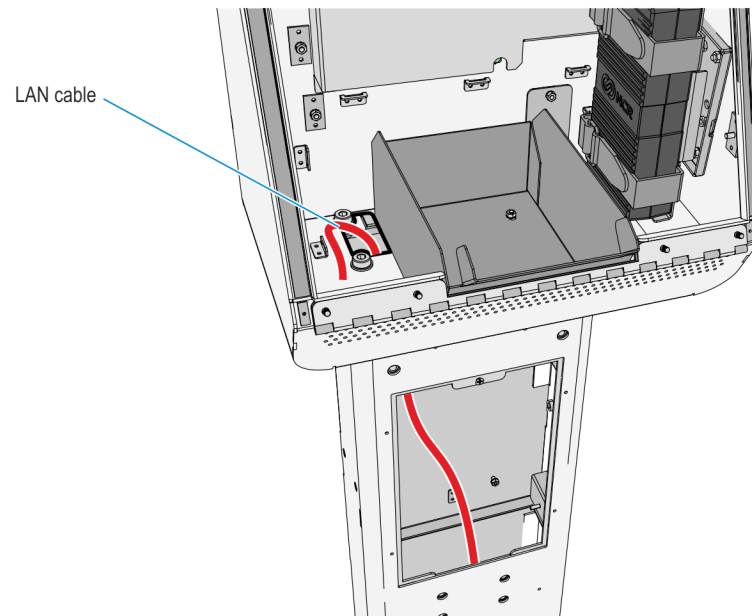
CCP-60856

14. Insert the LAN cable into the Kiosk Pedestal through the Back Cover.
15. Remove the Pedestal Front Cover by removing a screw securing it to the Pedestal.

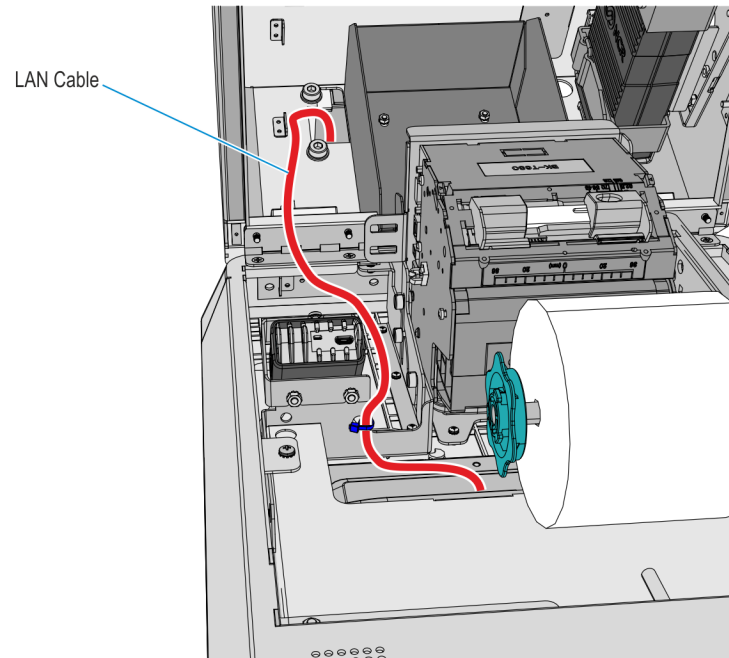


CCP-60855

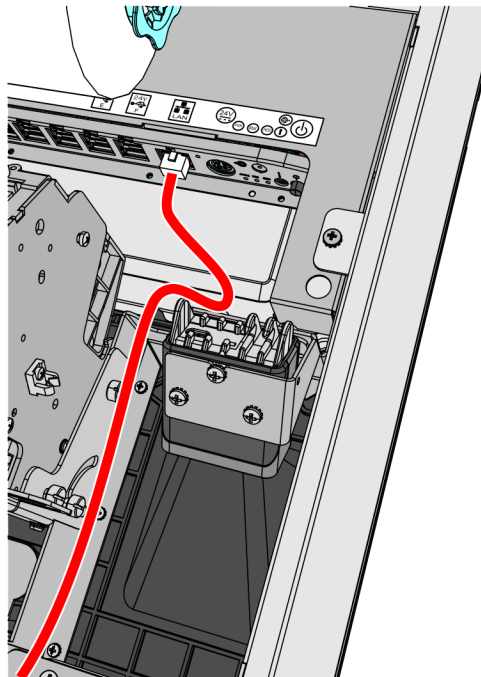
16. Route the LAN cable upward into the Kiosk Cabinet through the left-hand access hole of the Kiosk Base.



17. Route the LAN Cable towards the motherboard and connect the cable to the LAN port. Secure the LAN cable along with other cables in its path with cable ties as necessary.





CCP-72071



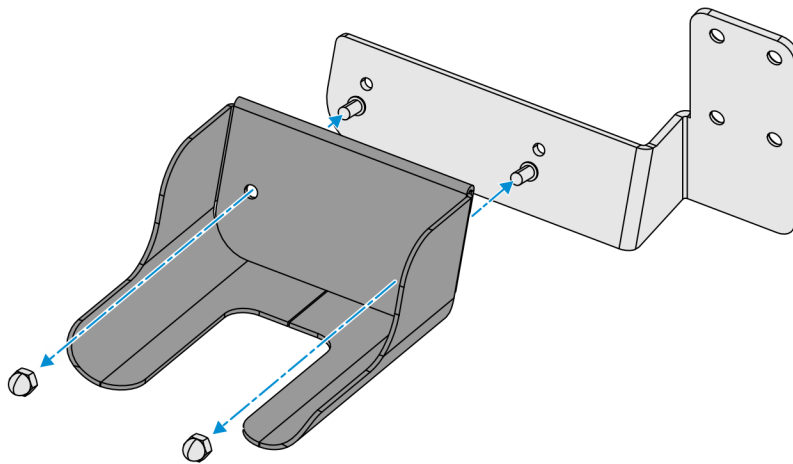
CCP-72077

Installing the Handheld Scanner Mount

 **Caution:** Make sure that the cables are routed as shown. Some units may have installed Sensormatic Modules which give off strong electrical discharge that may damage other modules.

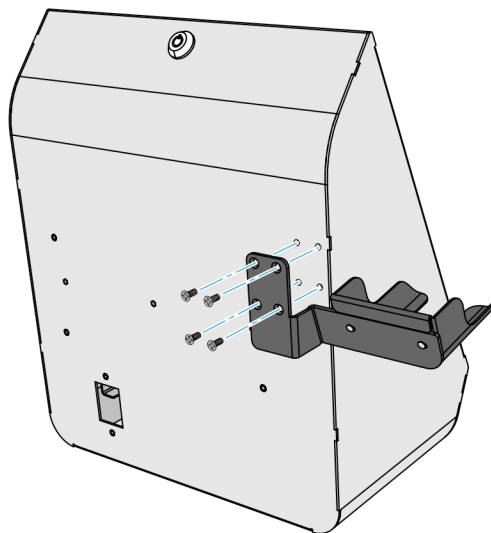
 **Caution:** Static Electricity Discharge may permanently damage your system. Discharge any static electricity build up in your body by touching your computer's case for a few seconds. Avoid any contact with internal parts and handle cards only by their external edges..

1. Secure the Holster to the Bracket with acorn nuts (2).



CCP-60572

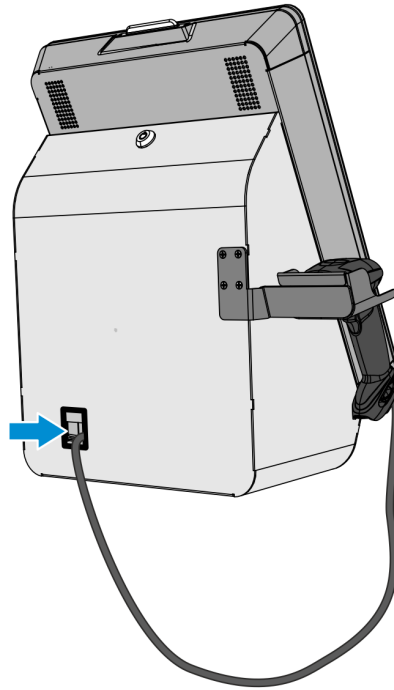
2. Align the mounting holes of the Holster and Bracket assembly to the mounting holes at the back of the kiosk cabinet and then secure the assembly with screws (4)



CCP-60573

3. Mount the handheld scanner on the holster.

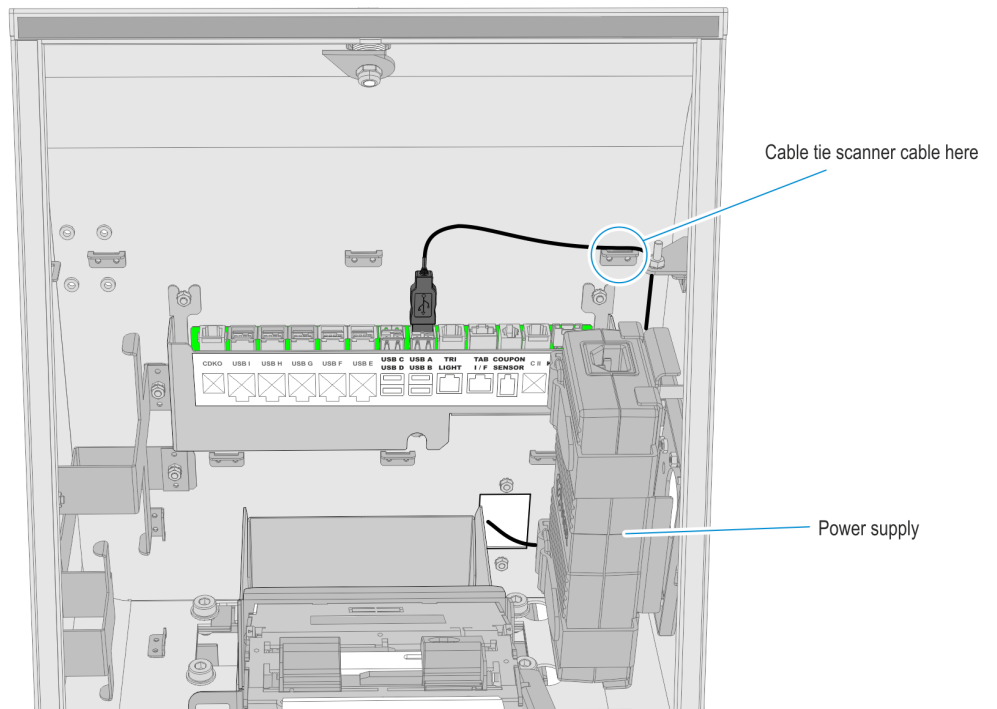
4. Route the scanner cable into the kiosk cabinet and connect the cable to the I/O Daughter card.
 - a. Route the scanner cable into the cabinet through the rear access hole of the cabinet.



CCP-72076

- b. Inside the cabinet, route the cable upwards toward the I/O daughter card, running across the rear right-hand corner of the cabinet and behind the Power Supply.

- c. Plug the USB connector to the **USB A** port of the I/O Daughter Card and cable tie the cable as shown below.

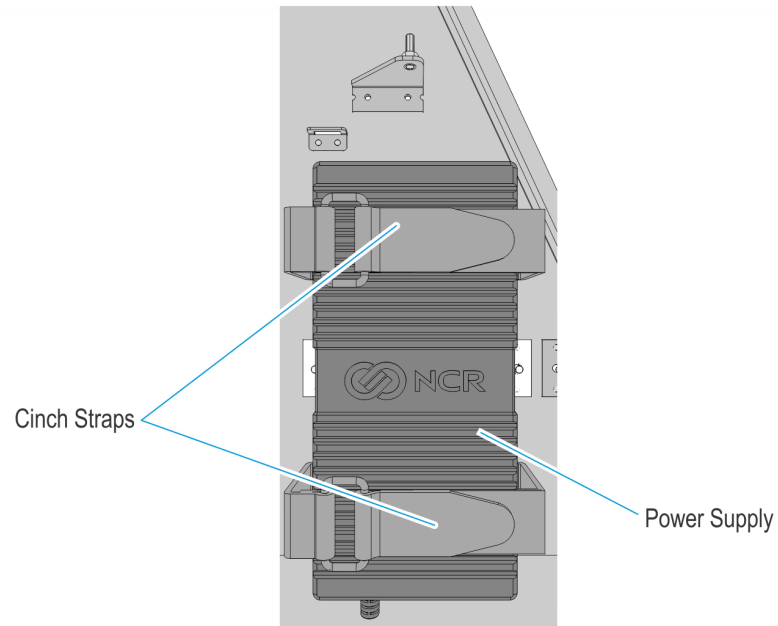


CCP-60850

- d. Place all extra cable length of the scanner cable outside of the cabinet. Make sure that there is enough slack on the cable for the scanner to be dismantled from the holster and scan items.

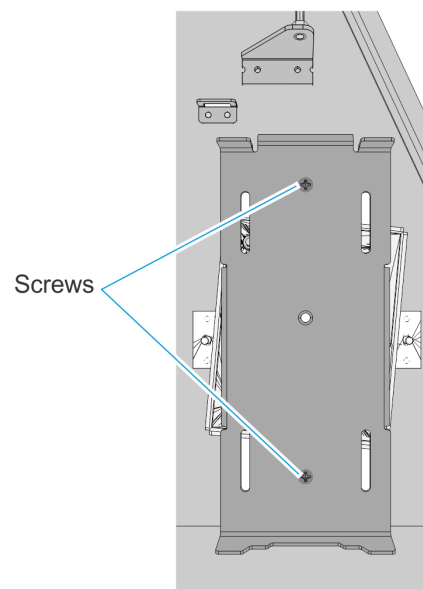
Installing the PIN Pad Arm

1. Remove PIN pad arm blank plate.
 - a. Unstrap the cinch straps (2) that secure the power supply to the bracket. Remove the power supply and the cinch straps from the bracket.



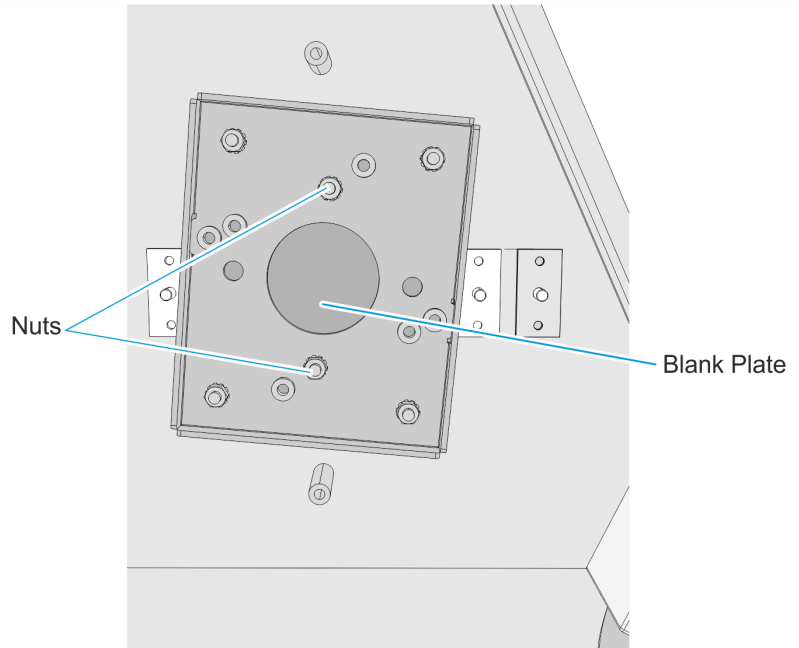
60907

- b. Remove the screws (2) that secure the power supply bracket. Remove the bracket.



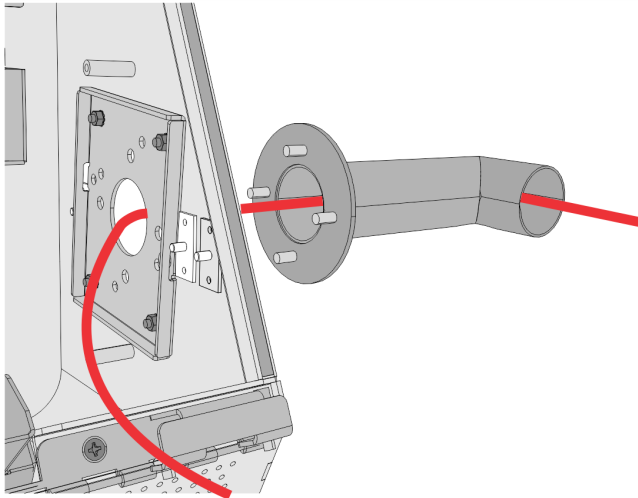
60906

- c. Remove the screws (2) that secure the blank plate. Remove the blank plate.



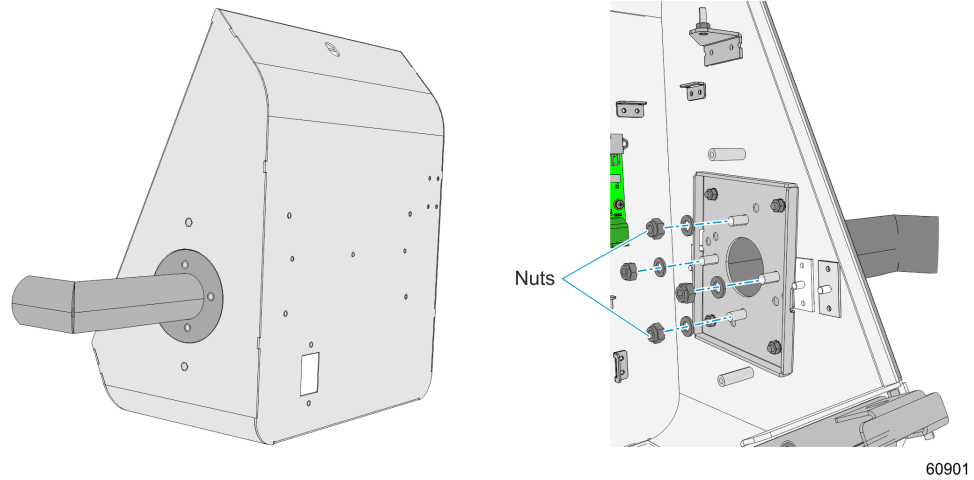
60905

- 2. From inside the kiosk cabinet, route the PIN pad cable out through the access hole and through the angular arm.

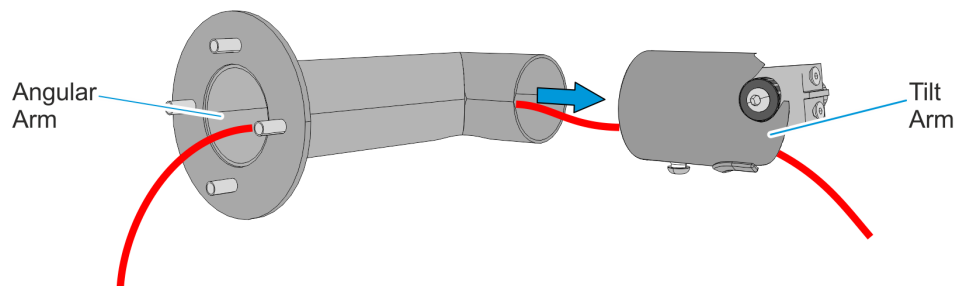


60904

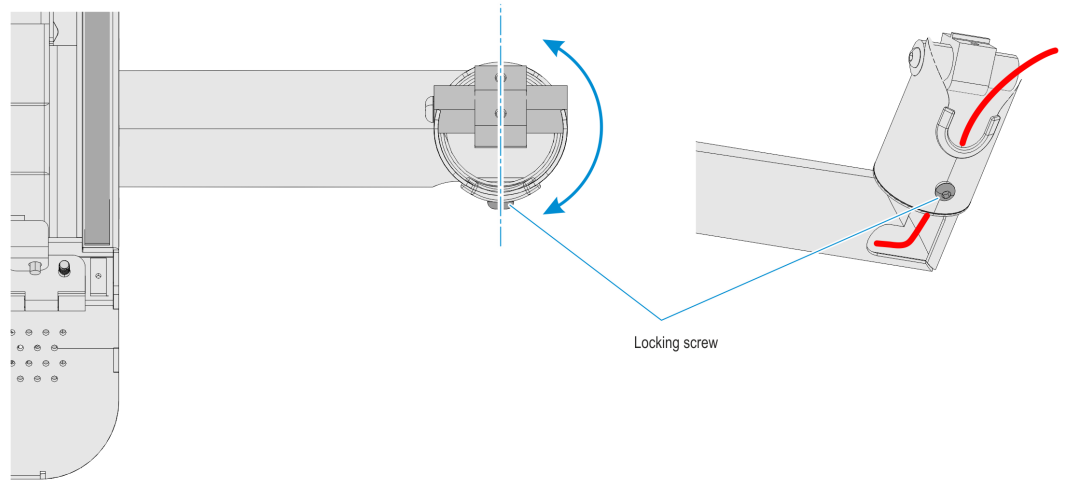
3. Insert the mounting studs of the angular arm through the mounting holes on the cabinet and secure the arm with nuts (4).



4. Secure the tilt arm to the angular arm.
 - a. Route the PIN pad cable through the tilt arm, exiting through the lower opening.
 - b. Insert the angular arm to the tilt arm.

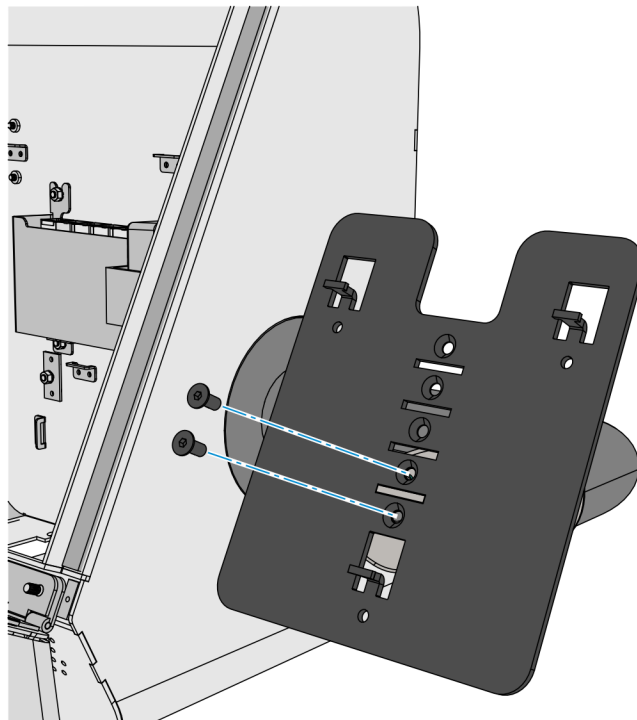


- c. Adjust the tilt arm, rotating it clockwise or counter-clockwise, to position the locking screw at the center.



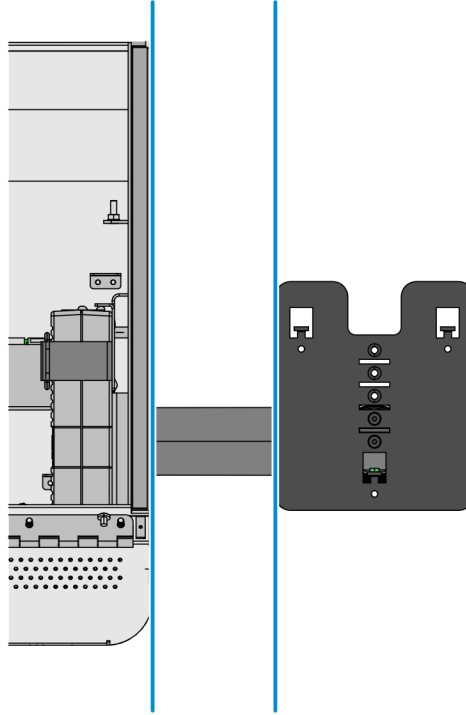
CCP-60870

- d. Tighten the screw to lock and secure the tilt arm.
5. Mount the PIN pad adapter plate into the mounting arms through the fourth mounting slot. Secure with screws (2).

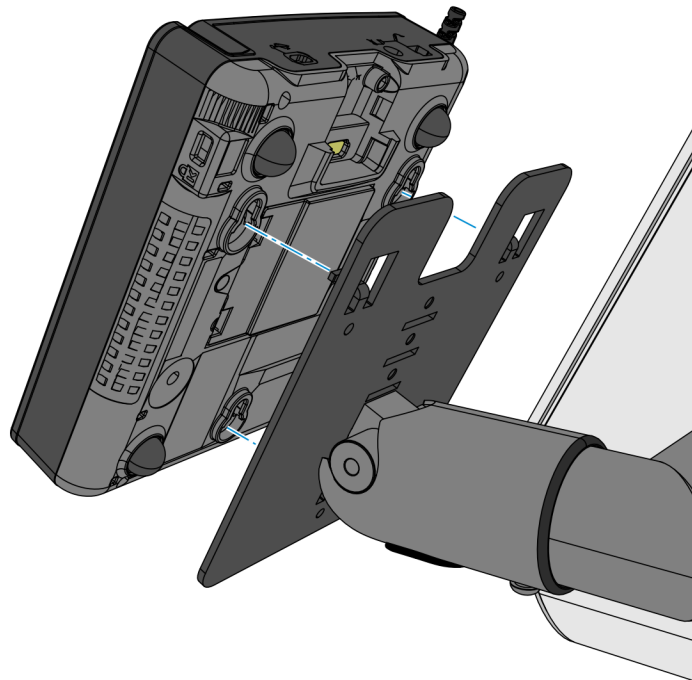
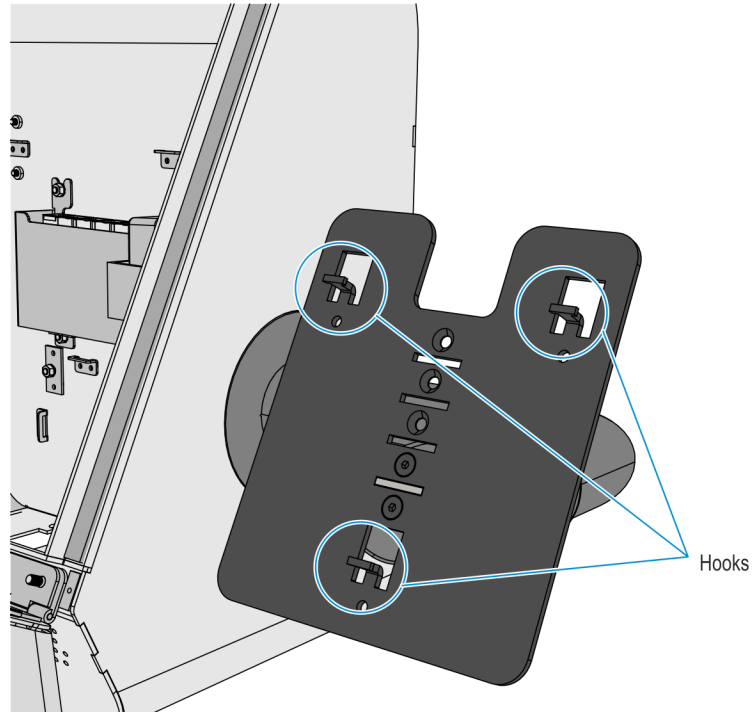


CCP-72072

6. Ensure that the left edge of the adapter plate is straight and parallel to the right edge of the cabinet.. Otherwise, adjust the tilt arm until the adapter plate is straight.

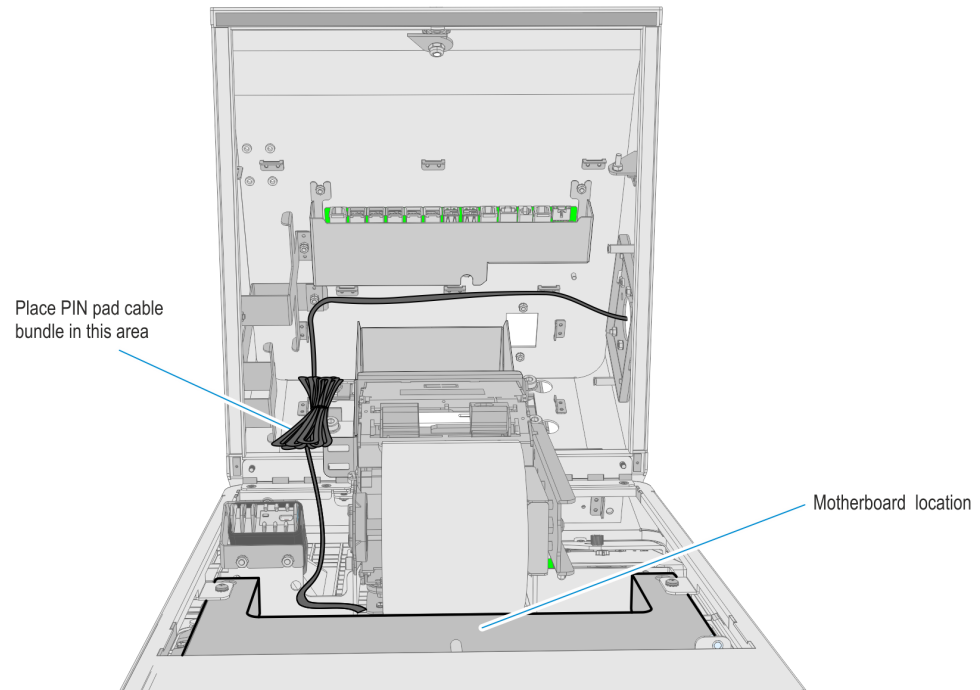


7. Mount the PIN pad on the adapter plate. Insert the PIN pad mounting holes through the hooks (3) on the adapter plate.

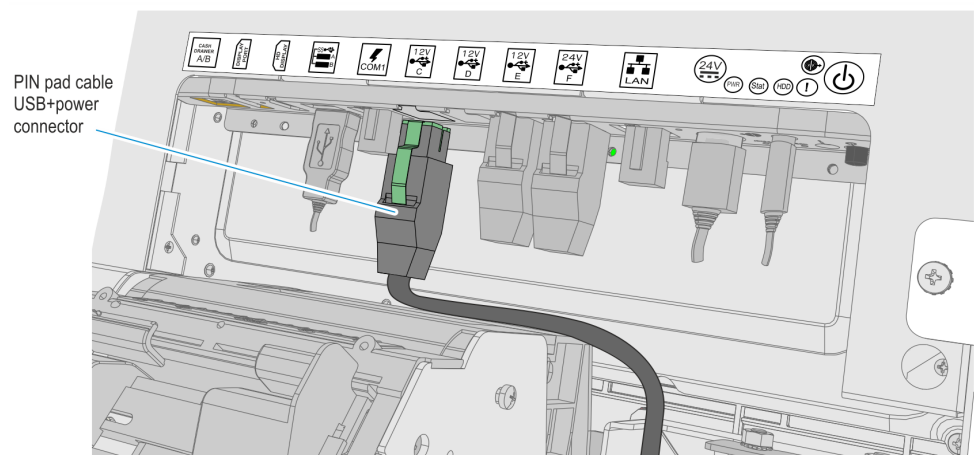


8. Connect the PIN pad cable to the PIN pad.

9. Inside the kiosk cabinet, route and connect the PIN pad cable to the motherboard.
 - a. Route the PIN pad cable towards the motherboard as shown below.
 - b. Connect the USB+Power connector of the PIN cable to the 12V power USB C port on the motherboard.
 - c. Cable tie the cable along its route as necessary. Bundle the extra length of the cable with a cable tie and place it at the space on the left-hand side of the coupon bin.



CCP-60848



CCP-60849

10. Re-install the power supply bracket and power supply.

11. Ensure that the left edge of the PIN pad is straight and parallel to the right edge of the display head. Otherwise, adjust the tilt arm until the PIN pad is straight.

