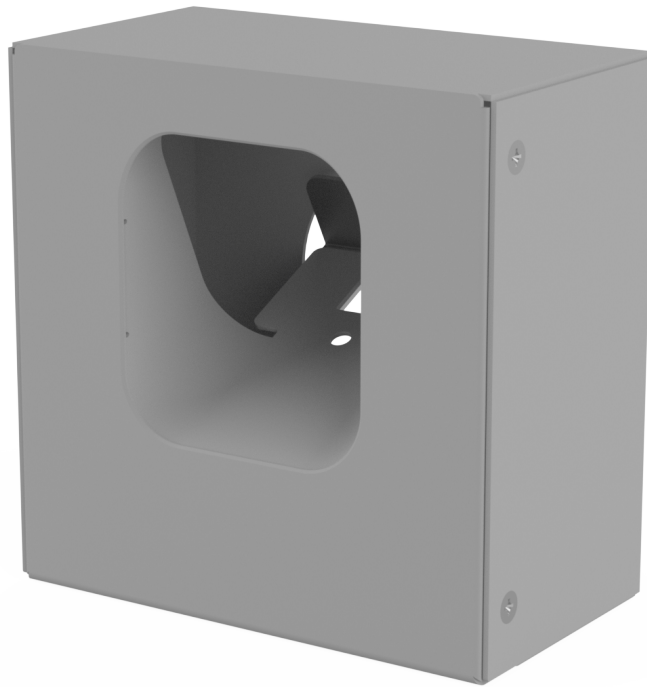


Kit Instructions

Box Mount Assembly (Datalogic Magellan 1500i)



7884-K900
Issue A



The product described in this document is a licensed product of NCR Corporation.

NCR is a registered trademark of NCR Corporation. NCR SelfServ™ Checkout is a trademark of NCR Corporation in the United States and/or other countries. Other product names mentioned in this publication may be trademarks or registered trademarks of their respective companies and are hereby acknowledged.

Where creation of derivative works, modifications or copies of this NCR copyrighted documentation is permitted under the terms and conditions of an agreement you have with NCR, NCR's copyright notice must be included.

It is the policy of NCR Corporation (NCR) to improve products as new technology, components, software, and firmware become available. NCR, therefore, reserves the right to change specifications without prior notice.

All features, functions, and operations described herein may not be marketed by NCR in all parts of the world. In some instances, photographs are of equipment prototypes. Therefore, before using this document, consult with your NCR representative or NCR office for information that is applicable and current.

Copyright © 2021
By NCR Corporation
864 Spring St. NW
Atlanta, GA 30308
United States
All Rights Reserved

Revision Record

Issue	Date	Remarks
A	Oct 2021	First Issue

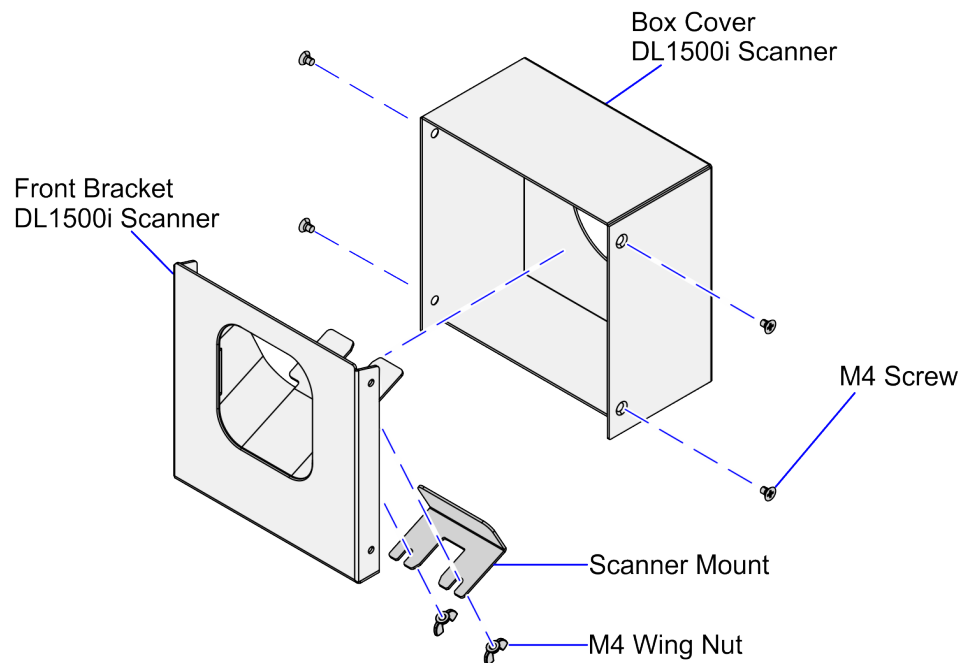
Box Mount Assembly (Datalogic Magellan 1500i)

This publication provides procedures for installing a Datalogic Magellan 1500i Scanner in a Box Mount Assembly.

Prerequisite

The 7884-K900 *Box Mount Assembly (Datalogic Magellan 1500i)* must be ordered together with 7707-K255 *Scanner (Datalogic Magellan 1500i)* to complete the assembly.

Kit Contents



CCP-80786

Part Number	Description
497-0530882	7884-K900 Kit - Box Mount For DI1500I Scanner
497-0531037	Box Cover- DI1500I Scanner
497-0531038	Front Bracket - DI1500I Scanner
497-0530510	Scanner Mount

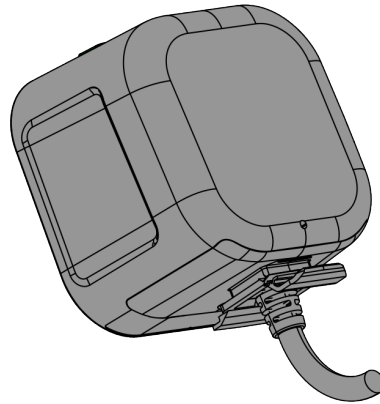
Part Number	Description
006-8625120	Nut, Wing, M4, Steel, Zinc Plated (2 pcs)
007-7022120	Screw Ma Flat Poz M4 6L (4 pcs)
* 497-0423108	Instructions-Kit (Reference Sheet)

* Items marked with an asterisk are not called out on the image.

Installation Procedures

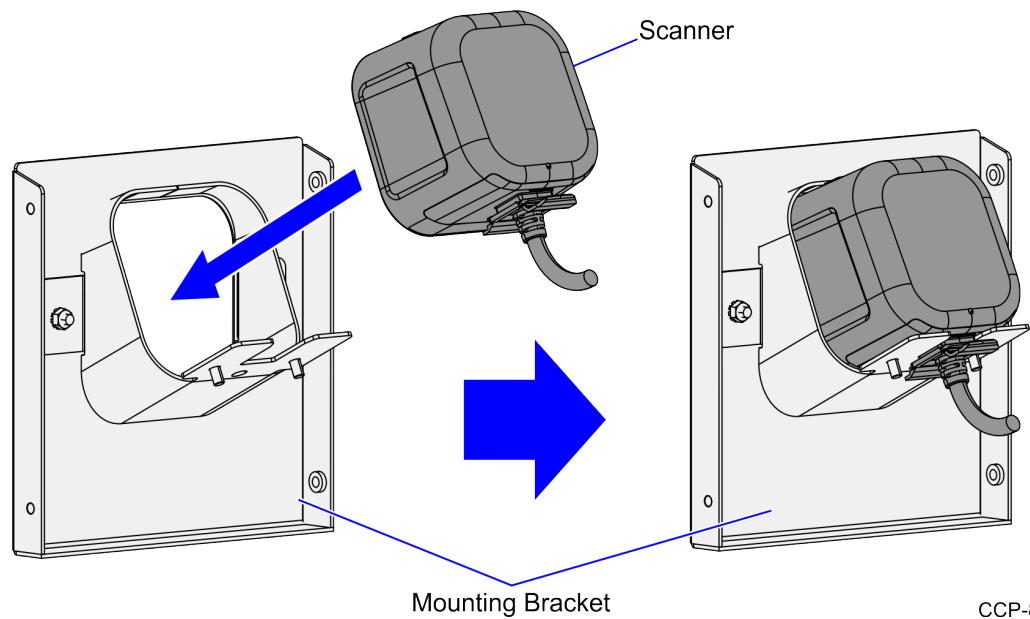
To install the Datalogic Magellan 1500i Scanner into the Mount Assembly, follow these steps:

1. Plug the connector to the Scanner, as shown in the image below.



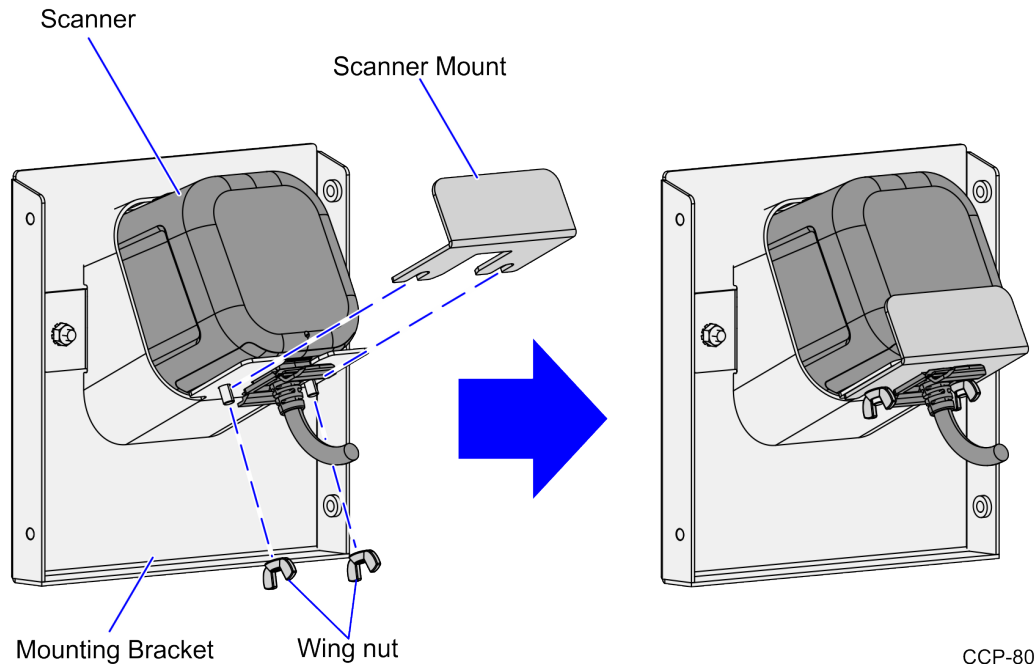
CCP-80703

2. Insert the Scanner onto the Front Housing of the Box Mount, as shown in the image below.

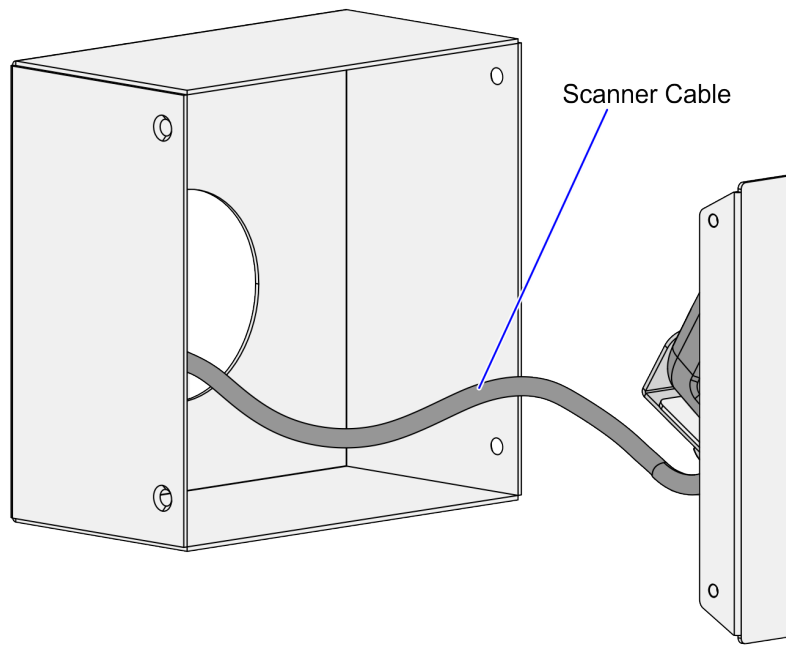


CCP-80788

- Using two (2) wing nuts, secure the Scanner on the Front Housing with the Scanner Mount, as shown in the image below.



- Route the Scanner cable through the cable access hole of the Box Mount, as shown in the image below.



5. Secure the Front Housing to the Box Mount using four (4) screws, as shown in the image below.

