

Kit Instructions

0.5 inch (1.2 cm) Bracket

7895-K733
Issue A



The product described in this document is a licensed product of NCR Corporation.

NCR is a registered trademark of NCR Corporation. Product names mentioned in this publication may be trademarks or registered trademarks of their respective companies and are hereby acknowledged.

The terms HDMI and HDMI High-Definition Multimedia Interface, and the HDMI Logo are trademarks or registered trademarks of HDMI Licensing LLC in the United States and other countries.

Where creation of derivative works, modifications or copies of this NCR copyrighted documentation is permitted under the terms and conditions of an agreement you have with NCR, NCR's copyright notice must be included.

It is the policy of NCR Corporation (NCR) to improve products as new technology, components, software, and firmware become available. NCR, therefore, reserves the right to change specifications without prior notice.

All features, functions, and operations described herein may not be marketed by NCR in all parts of the world. In some instances, photographs are of equipment prototypes. Software screen images are representative, and in some cases, may not match a customer's installed software exactly. Therefore, before using this document, consult with your NCR representative or NCR office for information that is applicable and current.

Copyright © 2022
By NCR Corporation
864 Spring St. NW
Atlanta, GA 30308
United States
All Rights Reserved

Revision Record

Issue	Date	Remarks
A	Sep 2022	First Issue

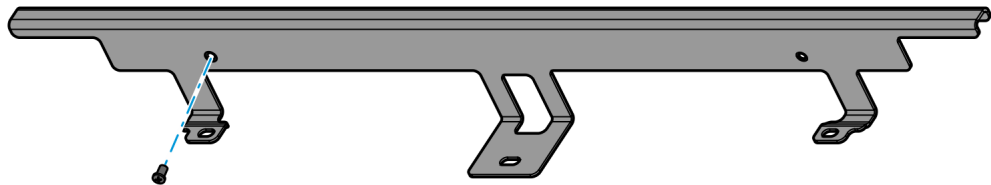
0.5 inch (1.2 cm) Bracket

The trim bracket kit (7895-K733 0.5 inch Bracket) can be used to modify the full-size NCR 7895 to fit into a counter cutout previously occupied by a 12-inch wide NCR scanner/scale. The bracket can be mounted on either side of the NCR 7895, but it is recommended to install it on the downstream side of conveying goods. The bracket adds **0.5 in.** (1.2 cm) to the width of the NCR 7895.

Kit Contents

The kit includes the following:

- One metal trim bracket
- One Torx screw with a colored thread lock patch, **0.28 in.** (7 mm) in length



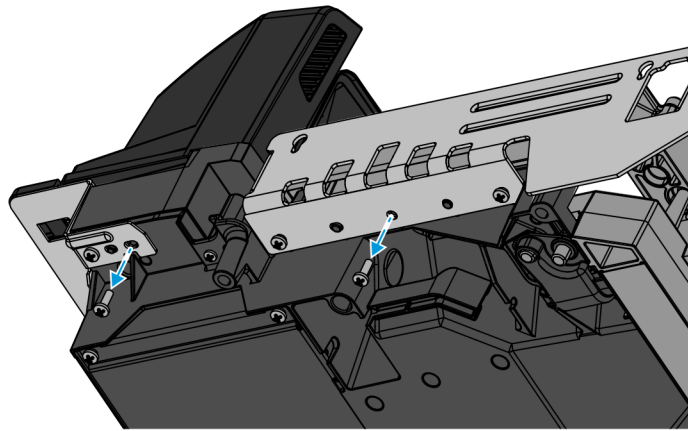
CCP-83514

Part Number	Description
497-0529792	7895-K733 0.5 inch (1.2 cm) Bracket

Installation Procedure

To install the Trim Bracket, follow these steps:

1. Remove the Top Plate. For more information, refer to [Accessing Scanner Components](#) on page 4.
2. Turn the NCR 7895 flat on one side and remove the two screws that secure the frame to the housing. Set the two screws aside.

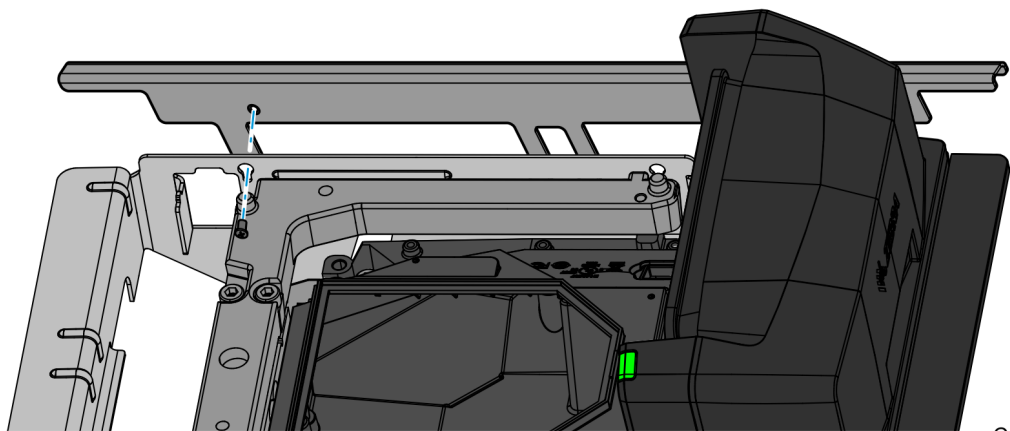


CCP-83511

3. Turn the NCR 7895 back on it upright position.
4. Mount the bracket onto the scanner, aligning the bracket mounting hole with the scanner frame mounting hole closest to the front of the scanner, and then secure the bracket to the scanner using the colored Torx screw included in the package.

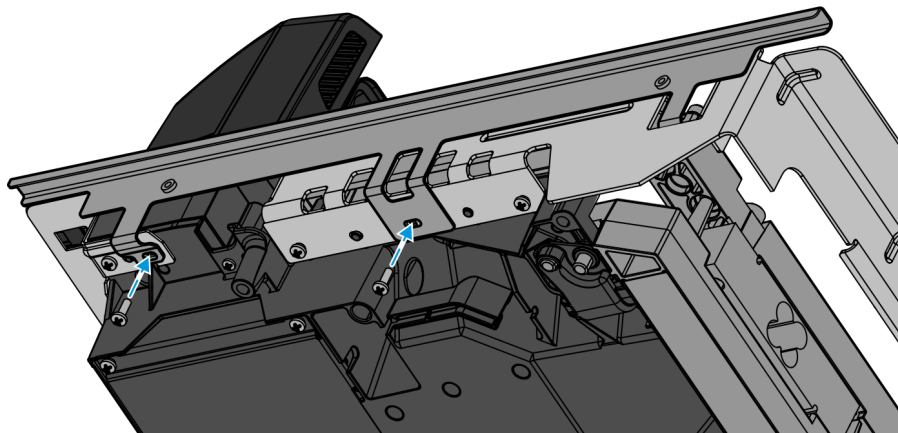


Tip: For easier installation, attach but do not fully tighten the colored Torx screw to the bracket, hook the screw into the scanner frame mounting hole, fit the bracket into place, and then tighten the colored Torx screw using a T20 Torx screwdriver.



CCP-83513

5. Turn the NCR 7895 flat on one side and re-install the two screws that were previously removed.



CCP-83512

6. Turn the NCR 7895 back on it upright position and re-install the Top Plate. For more information, refer to [Accessing Scanner Components](#) on the next page.

Accessing Scanner Components

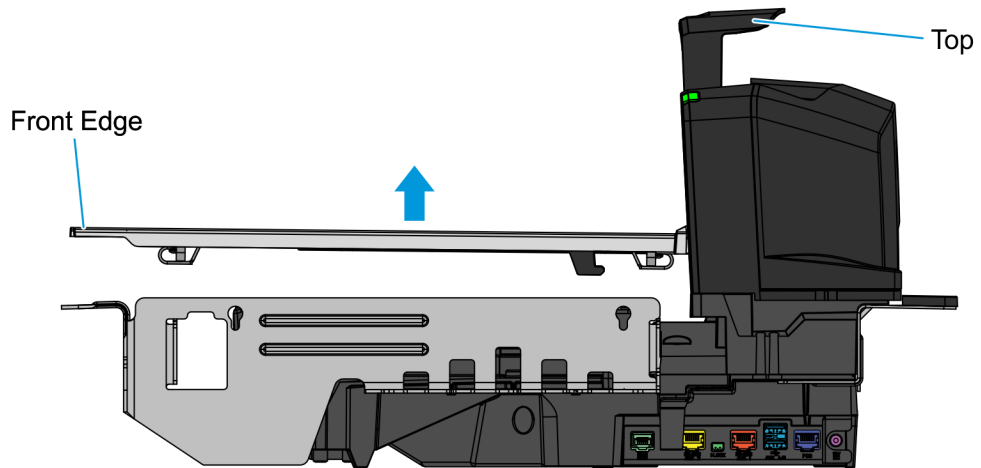
In some cases, the Top Plate or the Tower Cover need to be removed to access NCR 7895 internal components or to access the USB A port below the Top Plate.

To remove or install the Top Plate, refer to the following procedures:

- For Full-size scanner-only models
 - [*Removing the Top Plate for Full-size Scanner-only Models*](#) on the facing page
 - [*Installing the Top Plate for Full-size Scanner-only Models*](#) on the facing page
- For Full-size scanner/scale models
 - [*Removing the Top Plate for Full-size Scanner/Scale Models*](#) on page 6
 - [*Installing the Top Plate for Full-size Scanner/Scale Models*](#) on page 7

Removing the Top Plate for Full-size Scanner-only Models

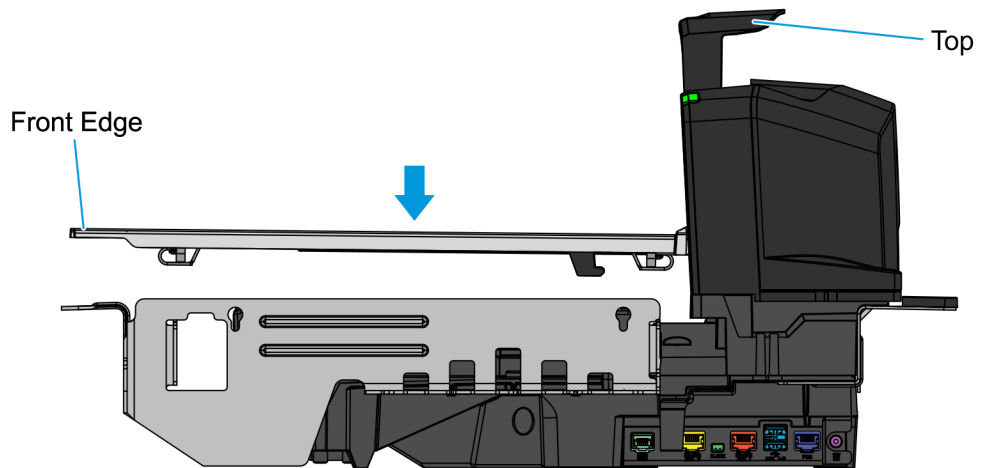
- Hold the front edge and the top of the Top Plate, and then lift the Top Plate off the scanner.



CCP-80044

Installing the Top Plate for Full-size Scanner-only Models

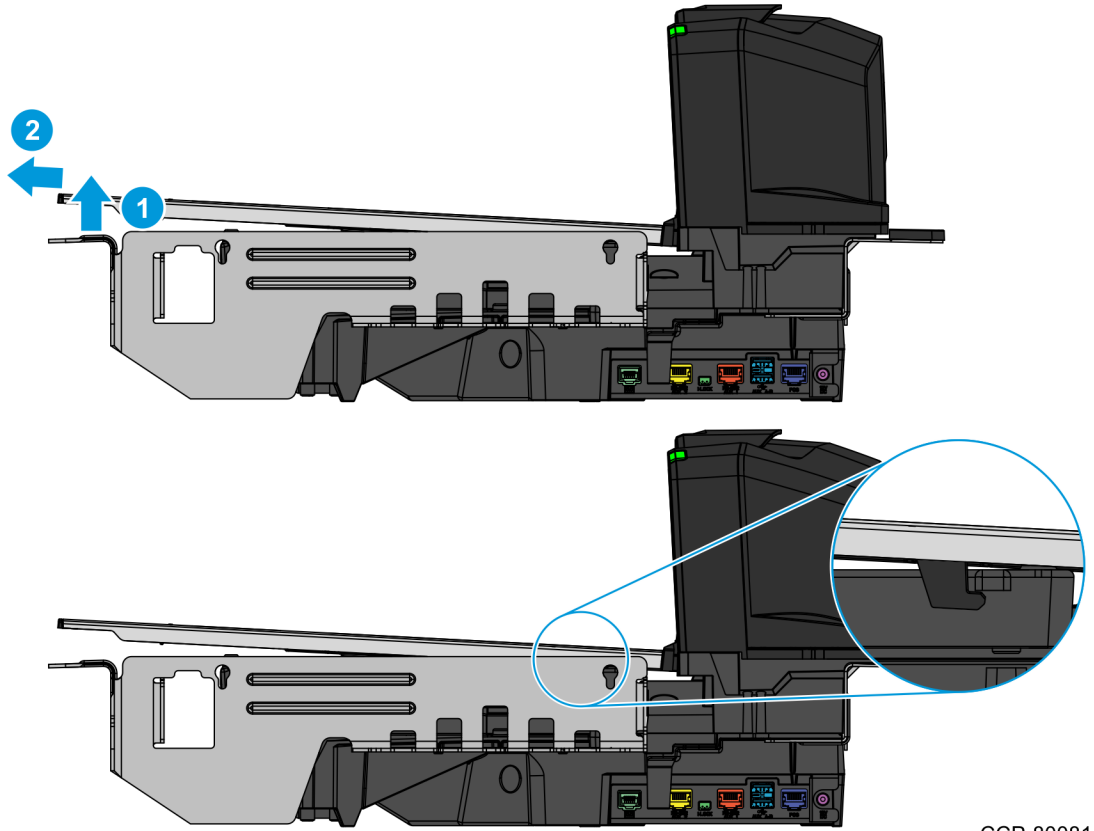
- Hold the front edge and the top of the Top Plate, and then lower the Top Plate onto the scanner until it sits on the tabs of the metal frame.



CCP-80043

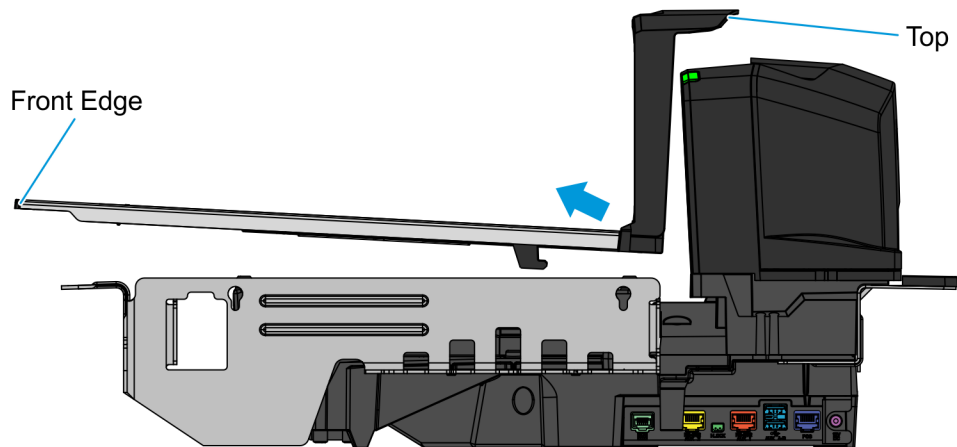
Removing the Top Plate for Full-size Scanner/Scale Models

1. Slightly lift up the front edge of the Top Plate and slide the Top Plate forward until its hooks are released from the positioning tabs on the scale.



CCP-80081

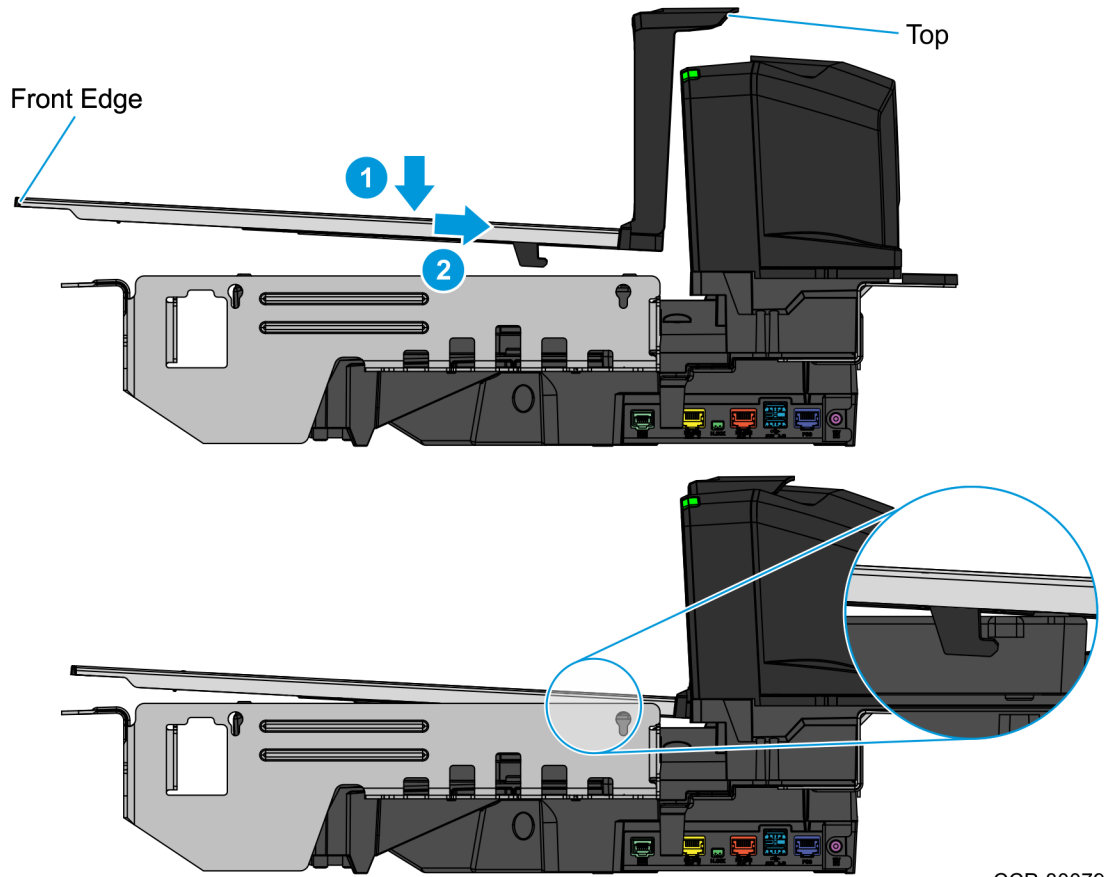
2. Holding the front edge and the top of the Top Plate, pull the Top Plate out and lift it off the scanner.



CCP-80080

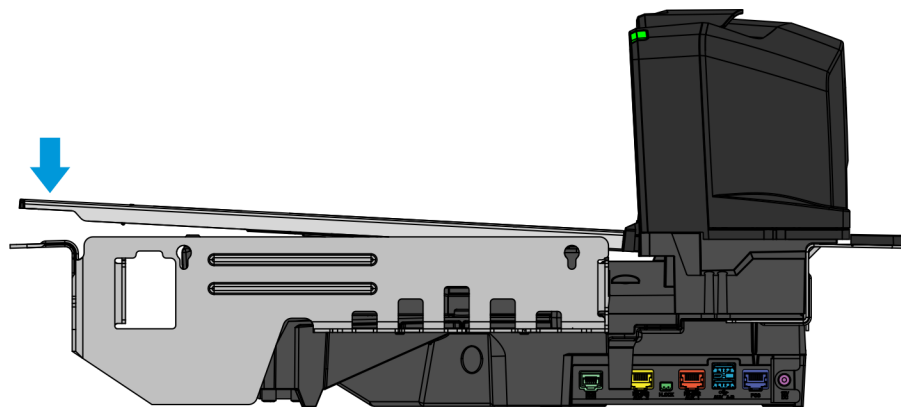
Installing the Top Plate for Full-size Scanner/Scale Models

1. Holding the front edge and the top of the Top Plate, and with the Top Plate slightly tilted, position the Top Plate on top of the scanner base.
2. Slide the Top Plate onto the scanner base until the hooks on the bottom of the Top Plate are positioned under the tabs on the scale.



CCP-80079

3. Lower the front edge of the Top Plate until the Top Plate sits securely on the scanner base.



CCP-80078

