

Kit Instructions

Front Filler

7895-K750
Issue A



The product described in this document is a licensed product of NCR Corporation.

NCR is a registered trademark of NCR Corporation. Product names mentioned in this publication may be trademarks or registered trademarks of their respective companies and are hereby acknowledged.

The terms HDMI and HDMI High-Definition Multimedia Interface, and the HDMI Logo are trademarks or registered trademarks of HDMI Licensing LLC in the United States and other countries.

Where creation of derivative works, modifications or copies of this NCR copyrighted documentation is permitted under the terms and conditions of an agreement you have with NCR, NCR's copyright notice must be included.

It is the policy of NCR Corporation (NCR) to improve products as new technology, components, software, and firmware become available. NCR, therefore, reserves the right to change specifications without prior notice.

All features, functions, and operations described herein may not be marketed by NCR in all parts of the world. In some instances, photographs are of equipment prototypes. Software screen images are representative, and in some cases, may not match a customer's installed software exactly. Therefore, before using this document, consult with your NCR representative or NCR office for information that is applicable and current.

Copyright © 2021
By NCR Corporation
864 Spring St. NW
Atlanta, GA 30308
United States
All Rights Reserved

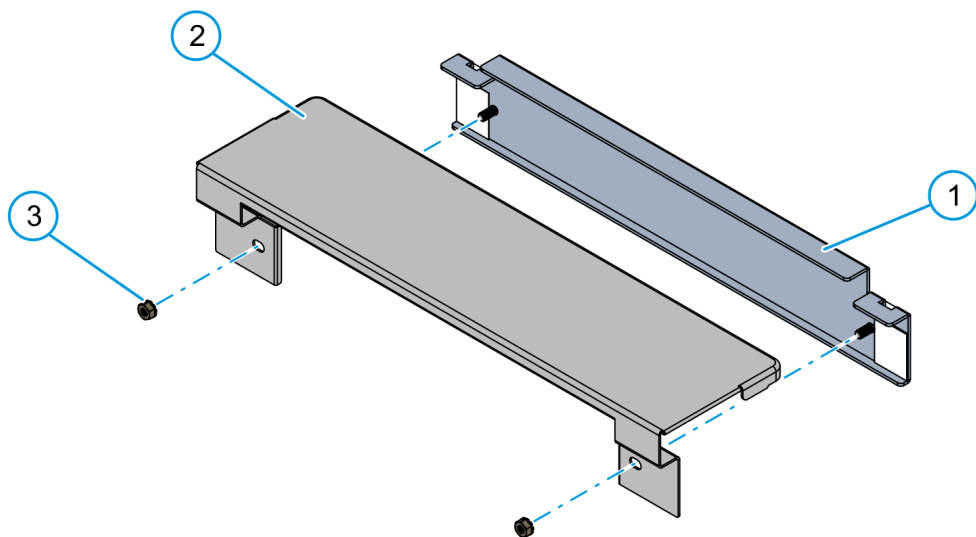
Revision Record

Issue	Date	Remarks
A	Dec 2021	First Issue

7895-K750 Front Filler

The Front Filler kit is applicable to NCR 7895 midsize scanner/scale models that are using the full-size chassis. This publication provides procedures for installing the Front Filler kit to Common Product Name.

Kit Contents



CCP-81788

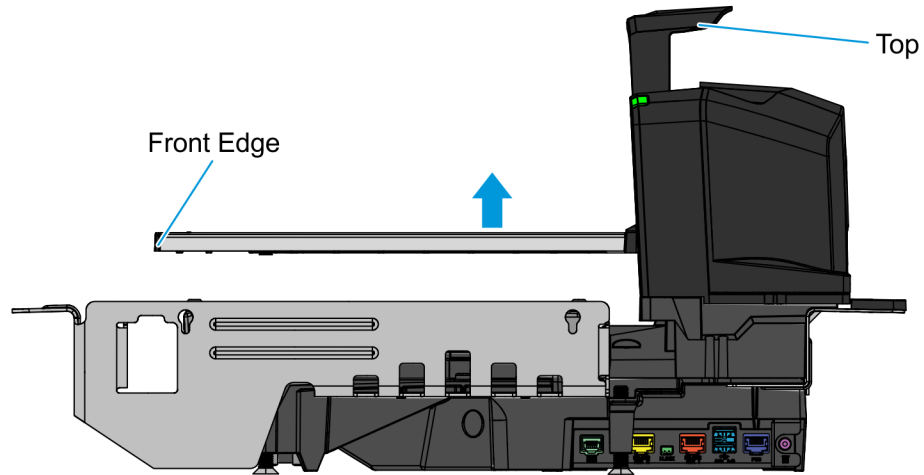
Part Number	Description
497-0531937	7895-K750 Front Filler
1 497-0531906	Filler Bracket - 7895 Chassis
2 497-0531834	Filler Plate - 7895 Chassis
3 006-8611847	Nut, M4 Keps (2 pcs)
4* 497-0423108	Instructions Kit (Reference Sheet)

* Items marked with an asterisk are not called out on the image.

Installation Procedure

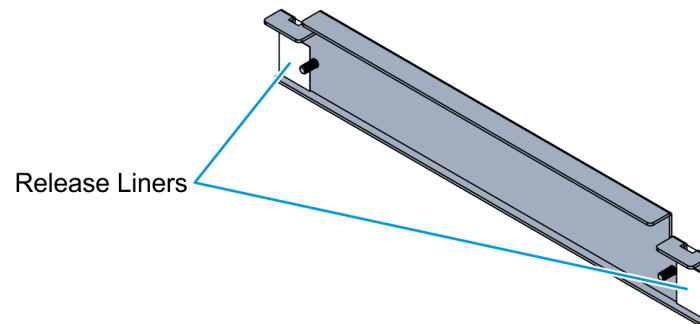
To install the Front Filler kit, follow these steps:

1. To remove the Top Plate, hold the front edge and the top of the Top Plate, and then lift the Top Plate off the scanner.



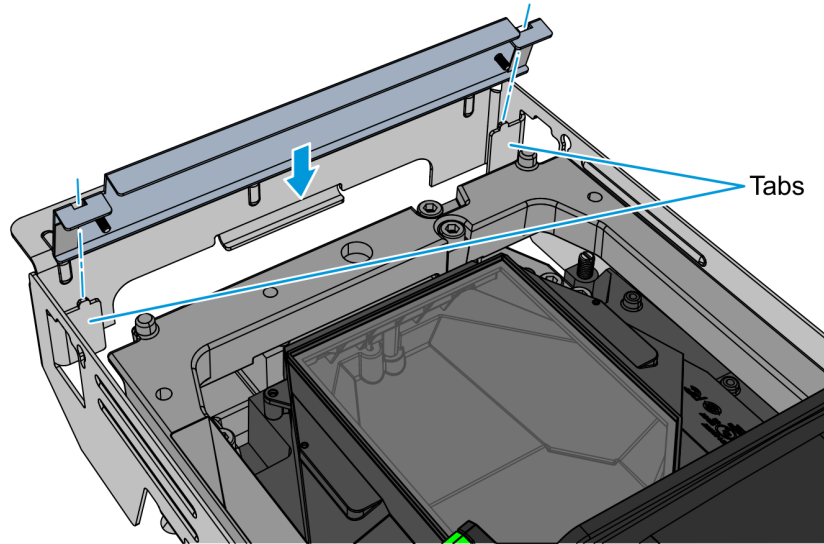
CCP-81787

2. Install the Filler Bracket.
 - a. Remove the weld tape release liners on the filler bracket.



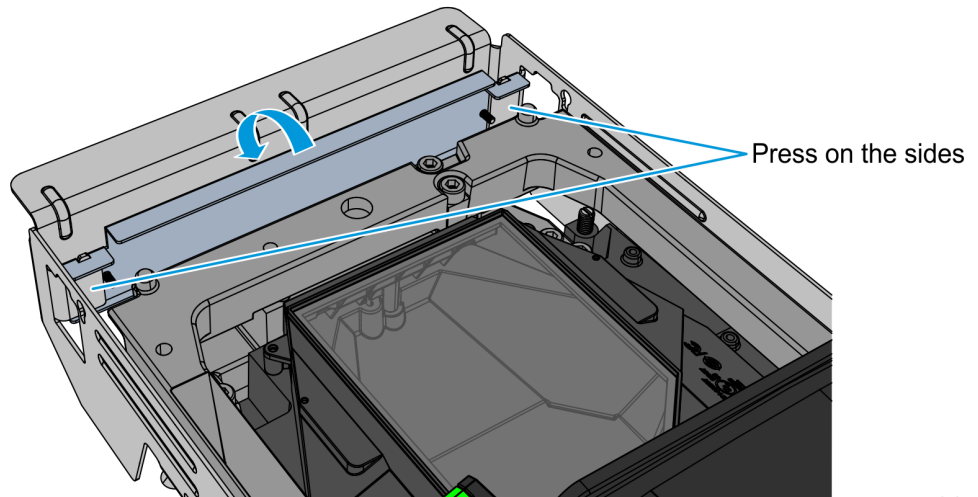
CCP-81790

- b. At an angle, lower the Filler Bracket onto the metal frame. Use the top of the tabs on the metal frame as locators.



CCP-81789

- c. Pivot the Filler Bracket into position and press to securely adhere the weld tapes to the tabs.



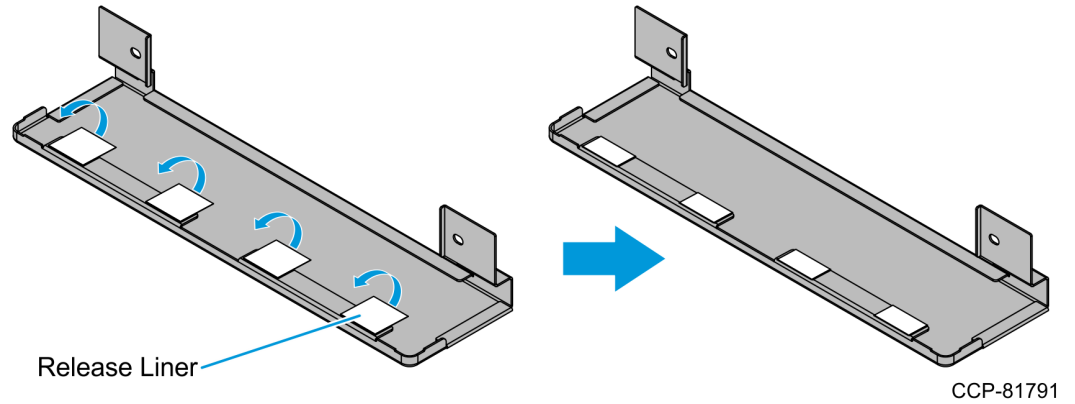
CCP-81786

3. Install the Filler Plate.

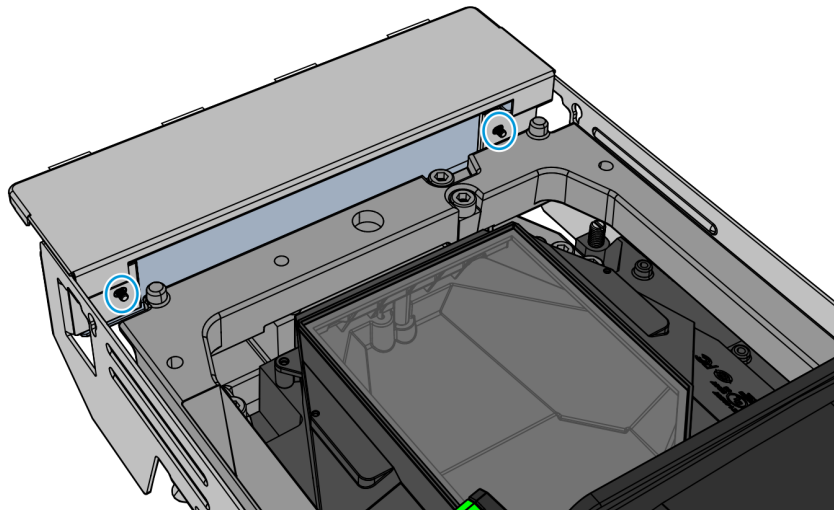
- a. Without removing the release liners, fold them in half.



Note: Ensure that the edges of the liners extend beyond the front edge of the Filler Plate. This makes it easy to remove the release liners later in the process.



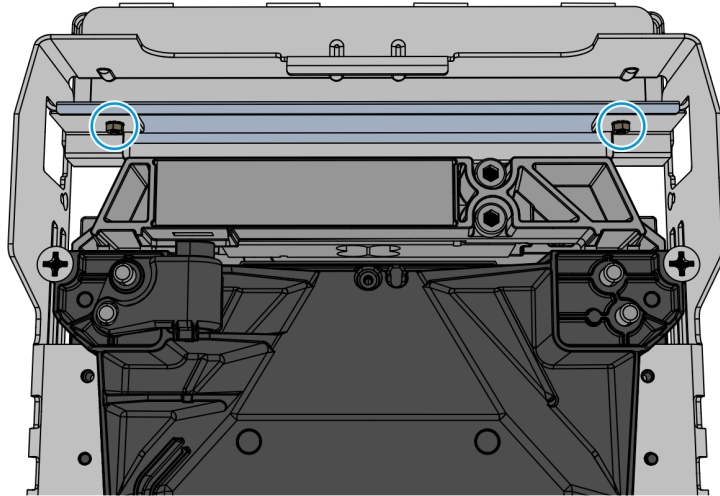
- b. Mount the Filler Plate onto the metal frame, inserting the mounting studs on the Filler Bracket into the mounting holes on the Filler Plate.



- c. Accessing from the bottom of the scanner, install the two nuts to secure the Filler Plate to the Filler Bracket.

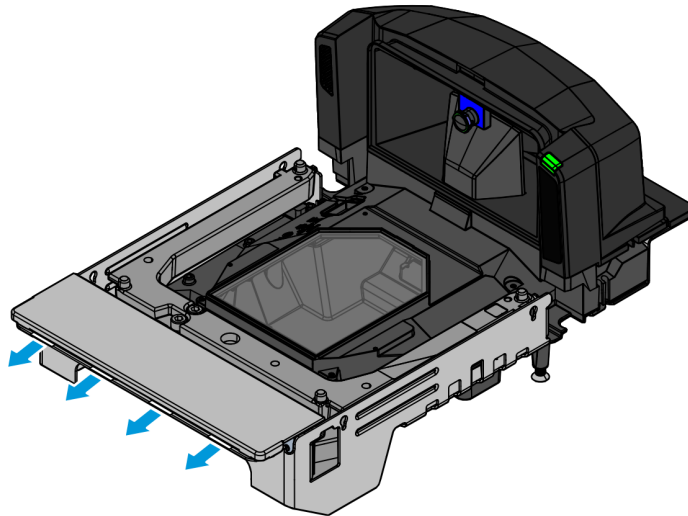


Note: Before fully tightening the nuts, ensure that the Filler Plate is centered.



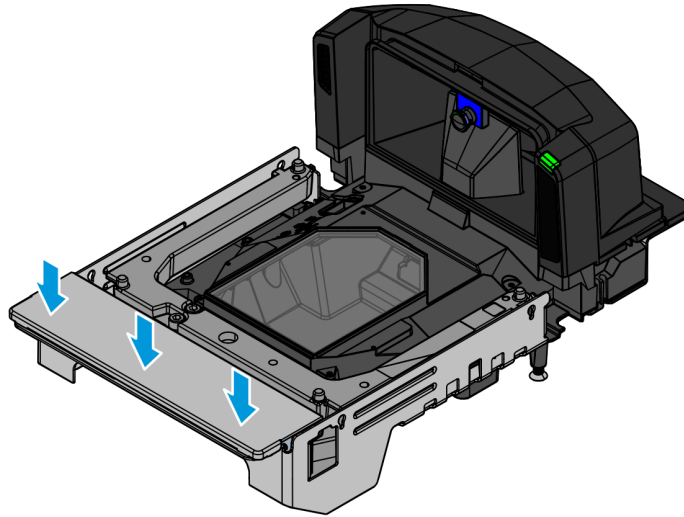
CCP-81793

- d. Pull the release liners away from the Filler Plate.



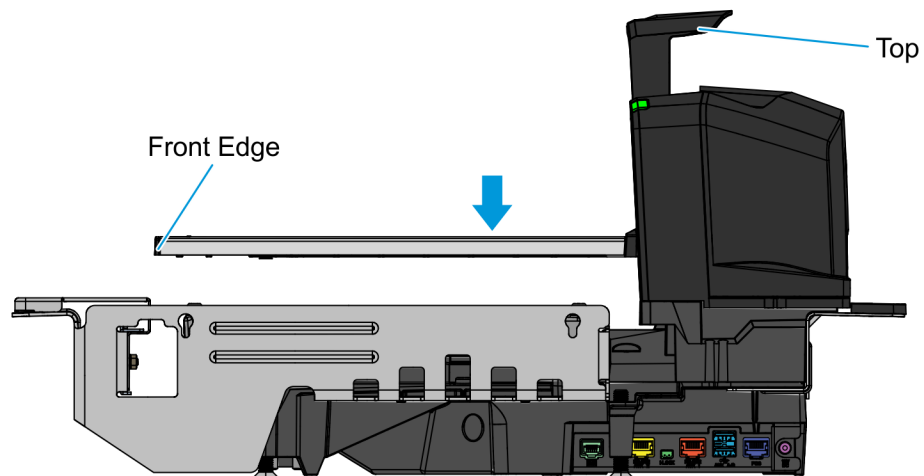
CCP-81794

- e. Press the Filler Plate onto the metal frame to securely adhere the tapes to the frame.



CCP-81784

4. To re-install the Top Plate, hold the front edge and the top of the Top Plate, and then lower the Top Plate onto the scanner until it rests securely on the supporting studs of the scale.



CCP-81785