

7600-K021

# Extended I/O Card

Kit Instructions



Issue C

---

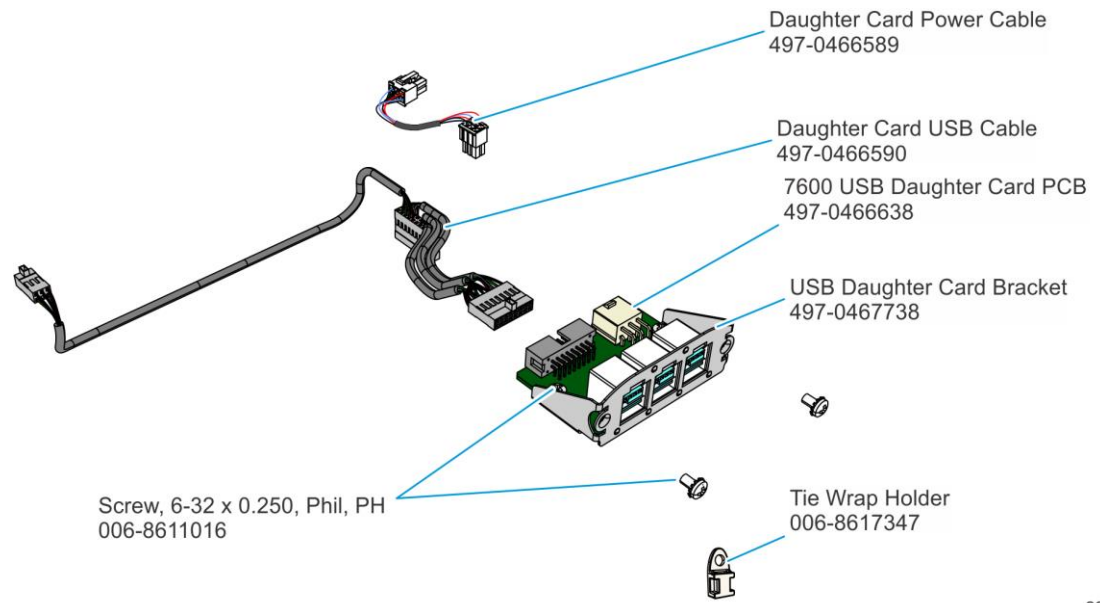
## Revision Record

Issue	Date	Remarks
A	Mar 2011	First issue
B	June 2012	Added Tie Wrap Holder
C	July 2019	Updated 7600-K021 PNs

## Introduction

The Extended I/O Card provides three additional 12V Powered USB Ports for the 7600/7601. Each port is capable of supplying 12V at 1.5A maximum each.

## Kit Contents

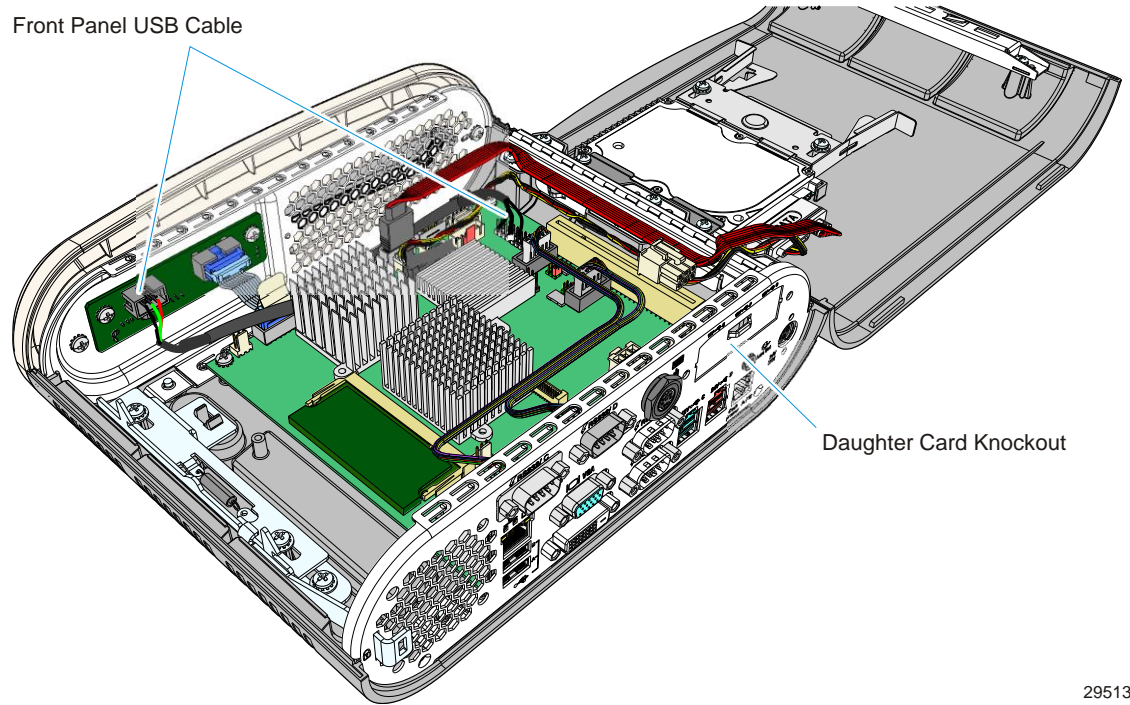


## Installation Procedure

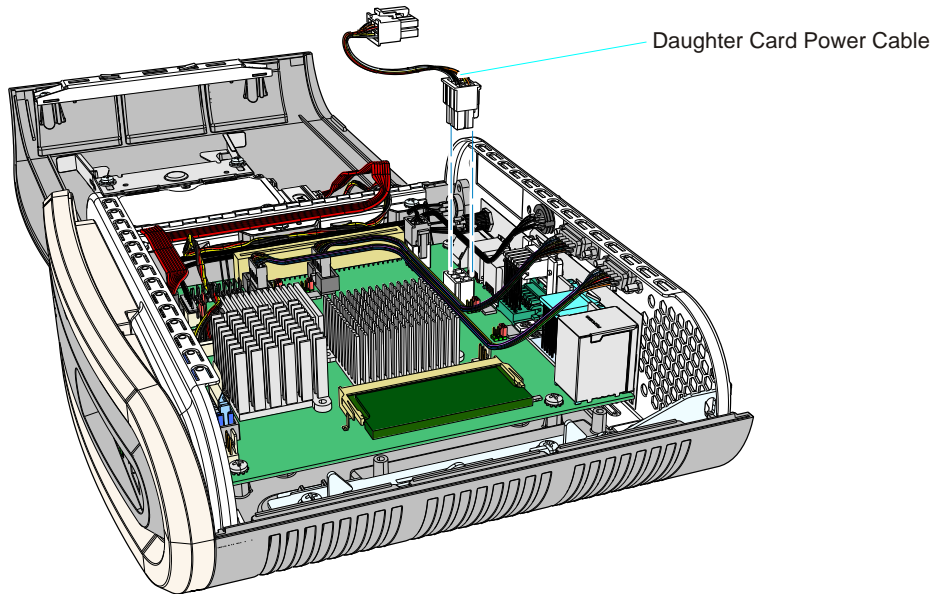
**Warning:** Disconnect the AC power cord before disassembling the Terminal.

**Caution:** Static Electricity Discharge may permanently damage your system. Discharge any static electricity build up in your body by touching your computer's case for a few seconds. Avoid any contact with internal parts and handle cards only by their external edges.

1. Unplug the terminal's power cord.
2. Open the Top Cover.
3. Use a screwdriver to twist the Daughter Card Knockout out of the I/O Panel.
4. Remove the existing USB Cable from the Motherboard and Front Panel Board.

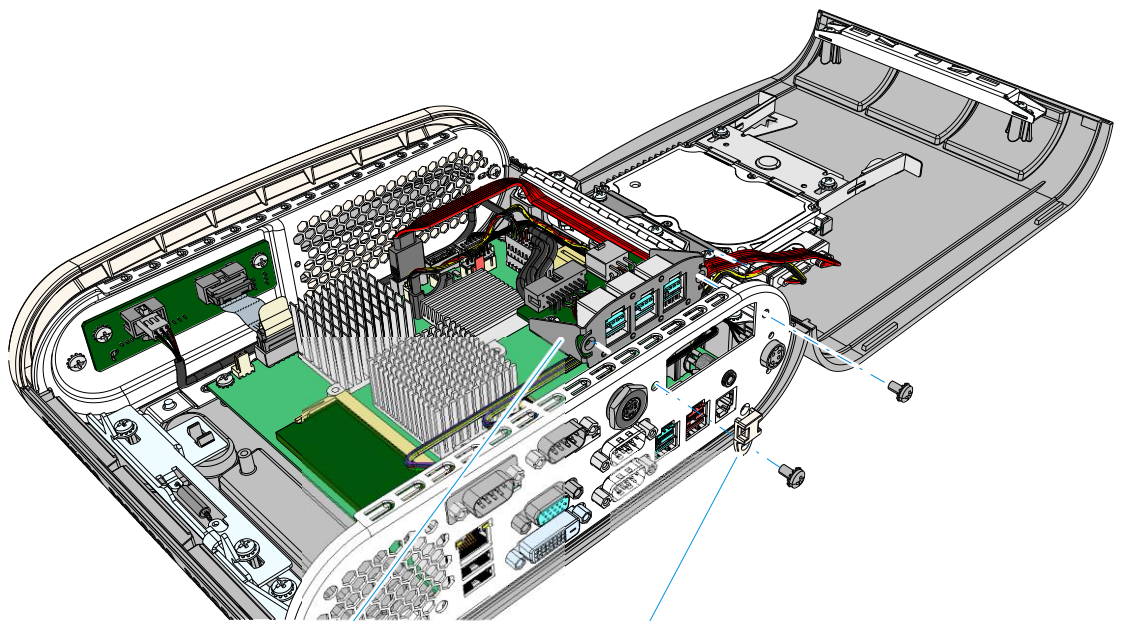


5. Plug the Daughter Card Power Cable into the Motherboard.



29517

6. Install the Extended I/O Daughter Card to the I/O Panel (2 screws) and Tie Wrap Holder.

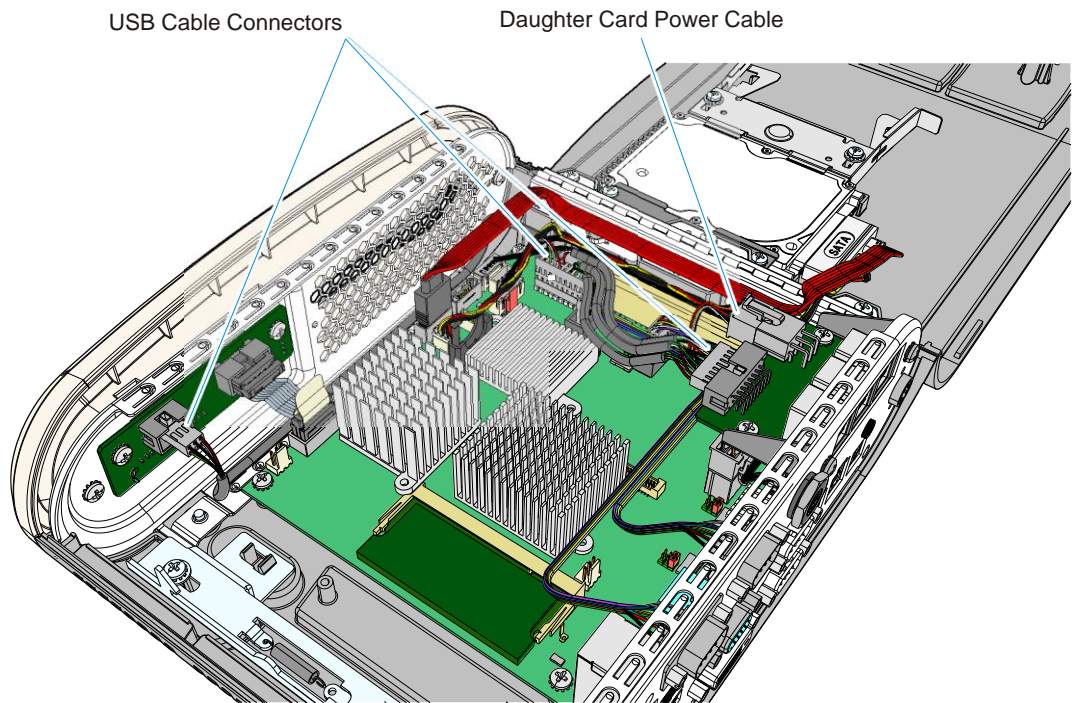


Extended I/O Daughter Card

Tie Wrap Holder

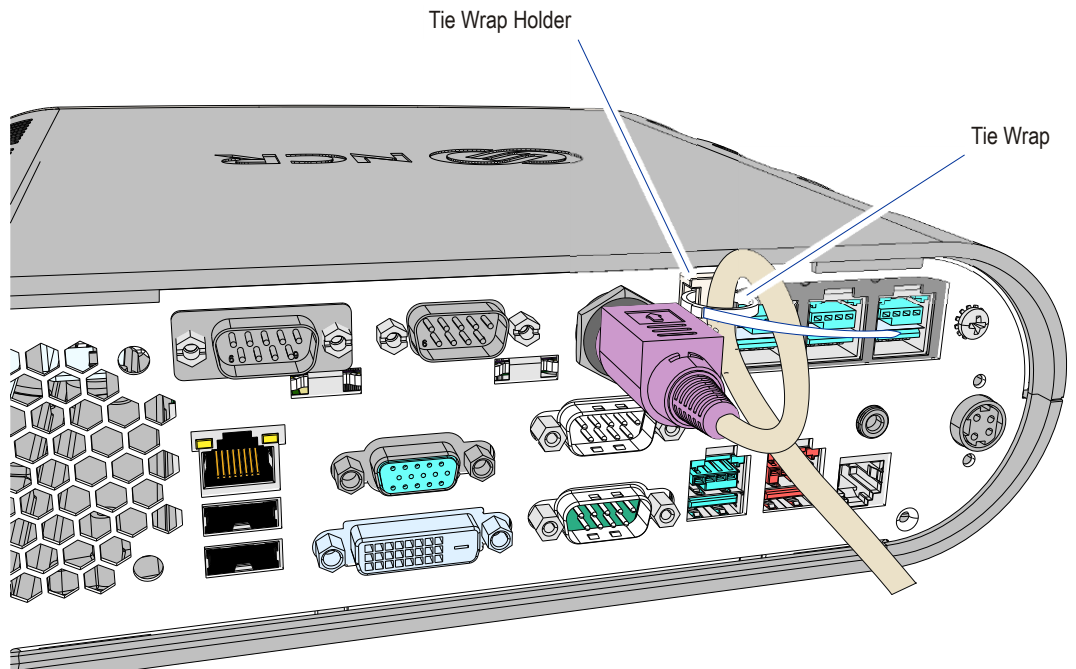
29510

7. Connect the new USB Cable to the Motherboard, Front Panel Board, and Daughter Card



29512

**Note:** The Tie Wrap Holder is used to secure the PS/2 Cable with a Tie Wrap.



31435