

7600-K301

Rear Cable Cover

Kit Instructions



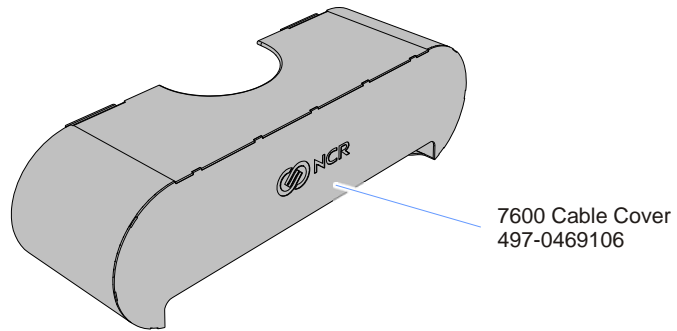
Issue A

Revision Record

Issue	Date	Remarks
A	Aug 2010	First issue

Introduction

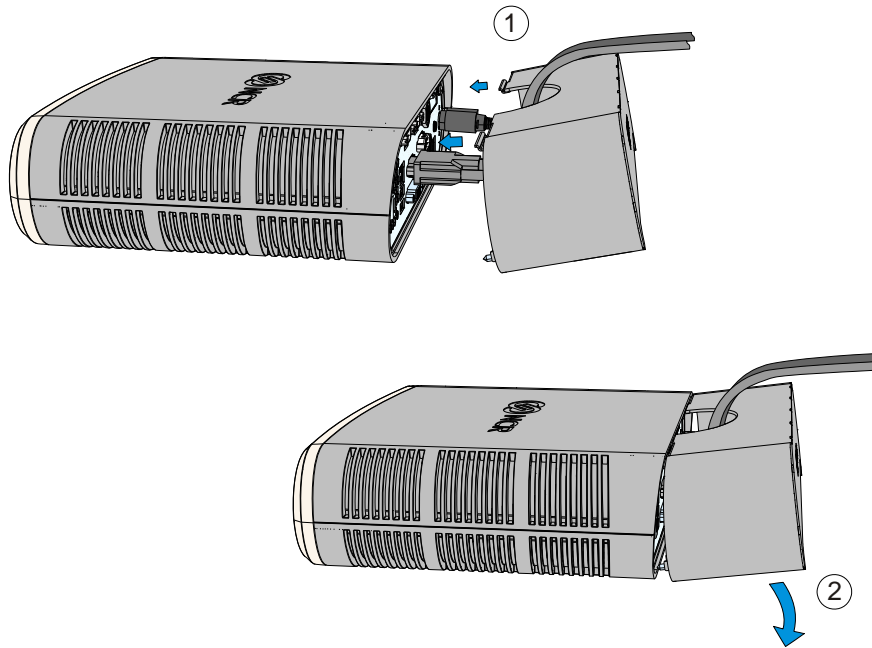
This kit provides a cover to conceal the cable connections on the rear of the 760x terminal.



Installation Procedures

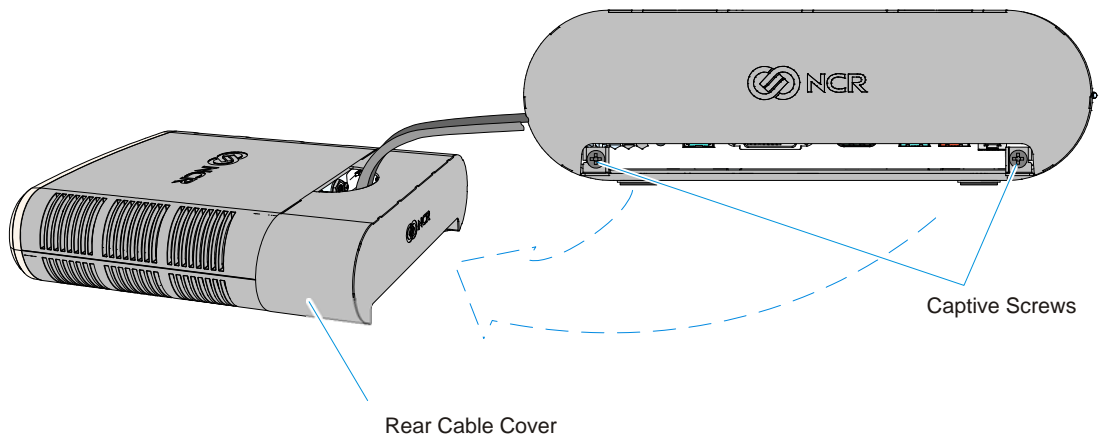
1. Connect all the peripheral cables to the terminal.
2. Insert the two extensions on the top edge of the cover under the rear of the Terminal Top Cover. Pivot the cover as shown below to engage the hinges.

Note: Cables are routed out through the top opening in the Cable Cover.



28717

3. Secure the cover with the Captive Screws (2).



28679