

KIT INSTRUCTIONS

Rear Cable Cover

7603-K301
Issue A



The product described in this book is a licensed product of NCR Corporation.

NCR is a registered trademark of NCR Corporation. NCR RealPOS is a trademark of NCR Corporation in the United States and/or other countries. Other product names mentioned in this publication may be trademarks or registered trademarks of their respective companies and are hereby acknowledged.

The terms HDMI and HDMI High-Definition Multimedia Interface, and the HDMI Logo are trademarks or registered trademarks of HDMI Licensing LLC in the United States and other countries.

Where creation of derivative works, modifications or copies of this NCR copyrighted documentation is permitted under the terms and conditions of an agreement you have with NCR, NCR's copyright notice must be included.

It is the policy of NCR Corporation (NCR) to improve products as new technology, components, software, and firmware become available. NCR, therefore, reserves the right to change specifications without prior notice.

All features, functions, and operations described herein may not be marketed by NCR in all parts of the world. In some instances, photographs are of equipment prototypes. Therefore, before using this document, consult with your NCR representative or NCR office for information that is applicable and current.

To maintain the quality of our publications, we need your comments on the accuracy, clarity, organization, and value of this book. Please use the link below to send your comments.

Email: FD230036@ncr.com

Copyright © 2015
By NCR Corporation
Duluth, GA U.S.A.
All Rights Reserved

Revision Record

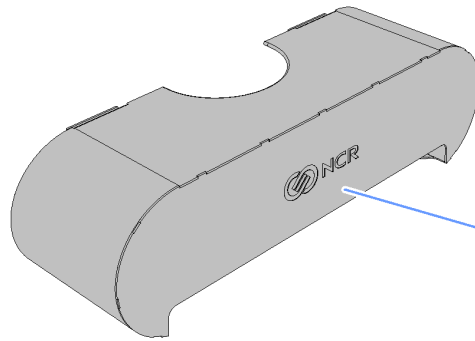
Issue	Date	Remarks
A	Aug 2015	First Issue

Rear Cable Cover

Introduction

This kit provides a cover to conceal the cable connections on the rear of the 760x terminal.


Kit Contents

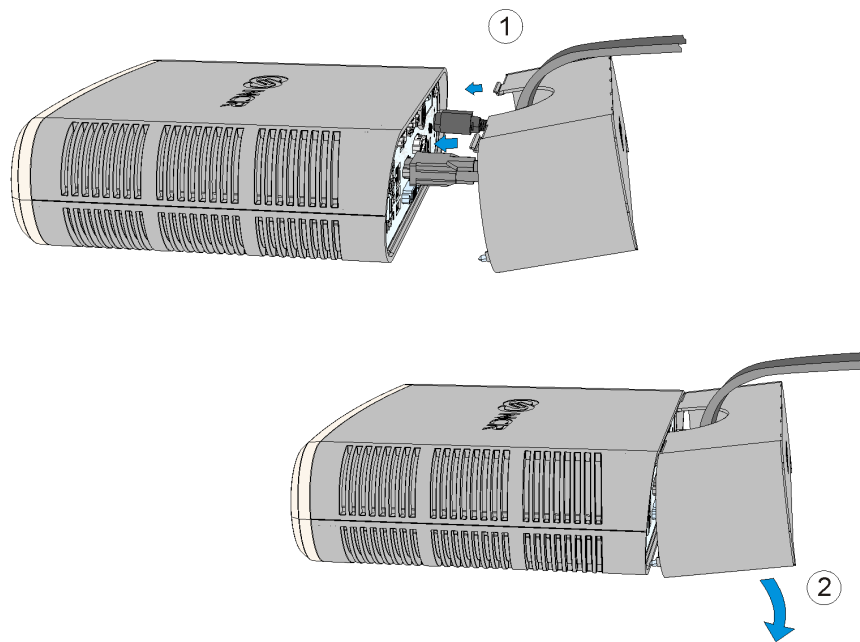


7603 Cable Cover
497-0507511

Installation Procedures

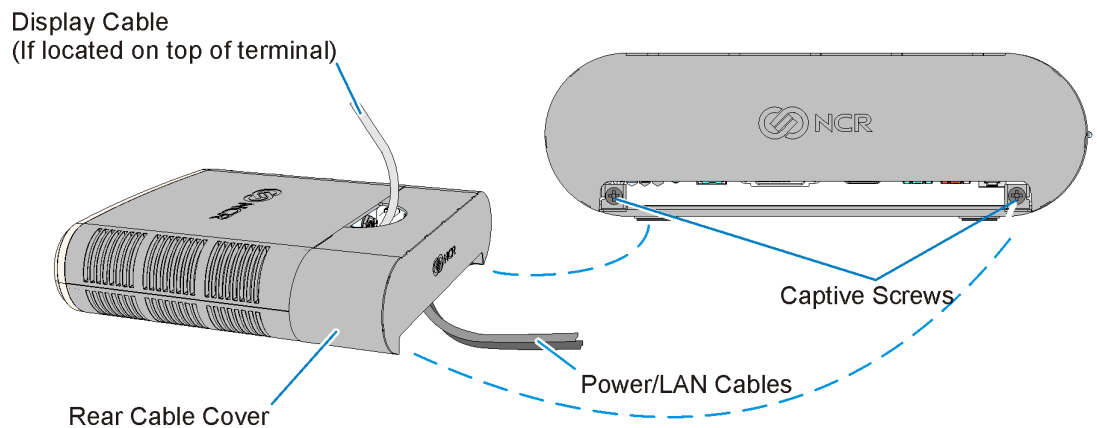
1. Connect all the peripheral cables to the terminal.
2. Insert the two extensions on the top edge of the cover under the rear of the Terminal Top Cover. Pivot the cover as shown below to engage the hinges.

 **Note:** Cables are routed out through the top opening in the Cable Cover.



28717

3. Secure the cover with the Captive Screws (2).



28679