

7459-K320

Vertical Mount

Kit Instructions



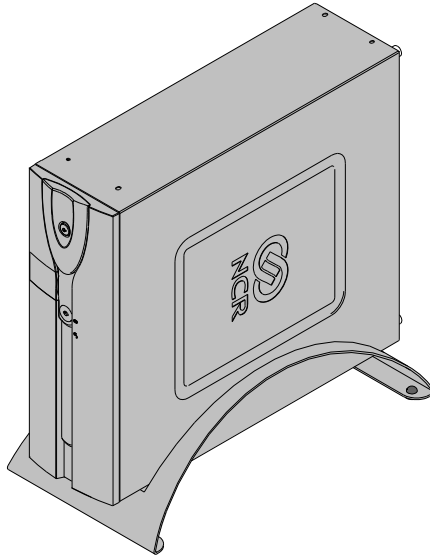
Issue B

Revision Record

Issue	Date	Remarks
A	May 2007	First issue
B	May 2012	Added 7606 support

Introduction

This Kit contains a metal stand for mounting the 7459/7606 terminal on its side.



Installation Procedure

Install the terminal in the mount with the air vents facing down. There are two holes in the end of the terminal cabinet that fit over mounting studs on the front end of the mount.

