

7606-K022

Extended I/O Board

Kit Instructions



Issue A

Revision Record

| Issue | Date | Remarks |
|-------|----------|-------------|
| A | May 2012 | First Issue |
| | | |
| | | |
| | | |

Introduction

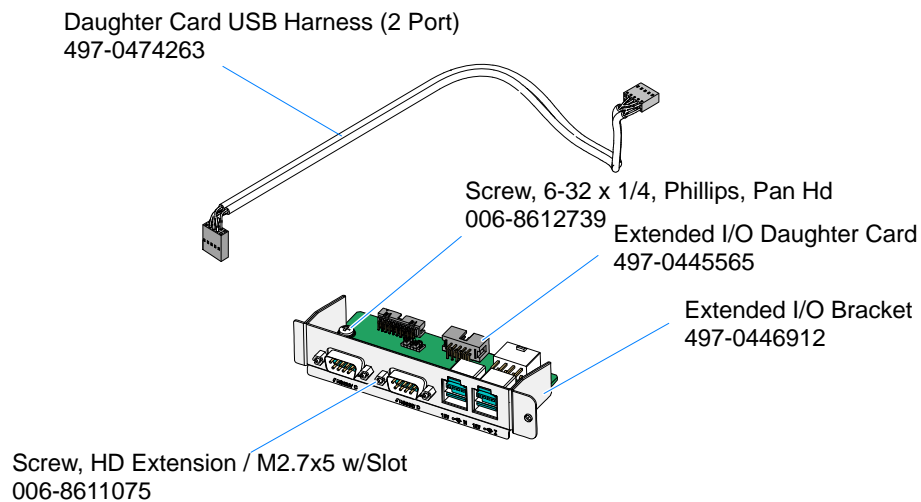
The Extended I/O Card provides an additional two 12V Powered USB Ports and two RS-232 Powered Serial Ports for the 7606.

Each serial port has a selection jumper on Pin 9 which can provide 5V/12V or RI. This pin is capable of supporting up to 1.5A max and is protected with a self healing poly-fuse. The two ports are connected to COM 3 and COM 4 on the Motherboard.

Note: This board cannot be used in a terminal that is configured with an internal UPS because the UPS uses COM4.

The 12V Powered USB ports are capable of supplying 12V at 1.5A maximum each.

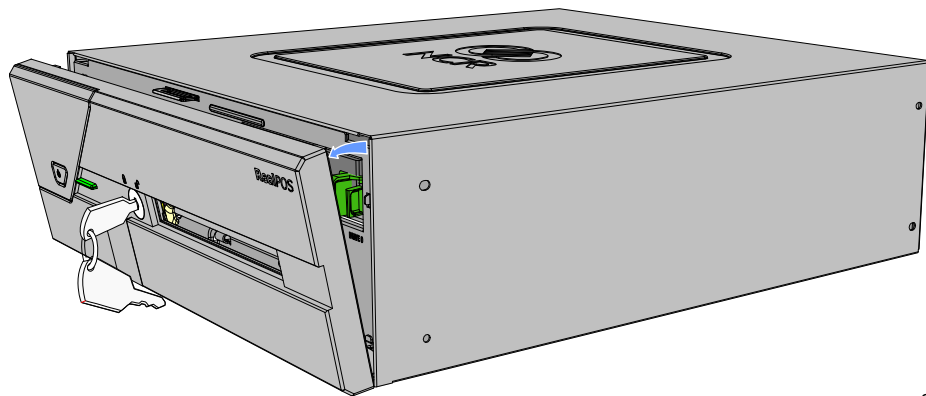
Kit Contents



Installation Procedures

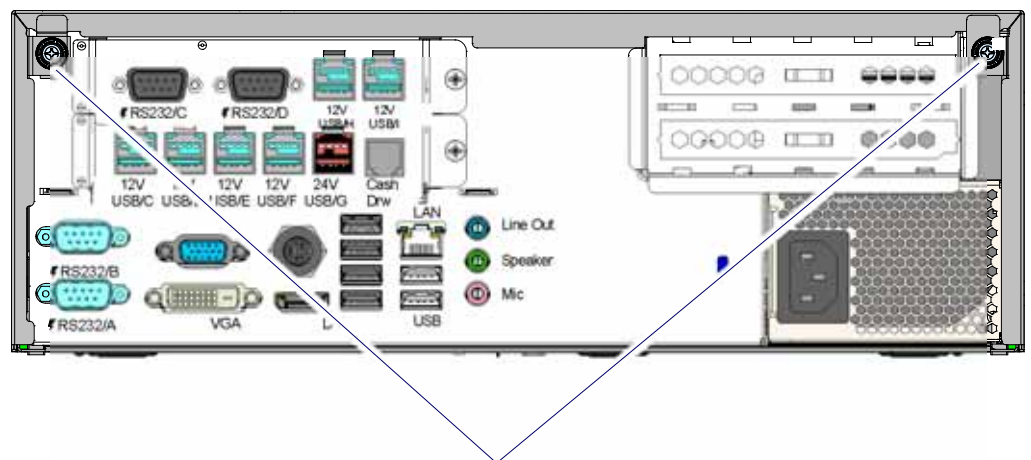
Caution: Static Electricity Discharge may permanently damage your system. Discharge any static electricity build up in your body by touching your computer's case for a few seconds. Avoid any contact with internal parts and handle cards only by their external edges.

1. Turn Off the power to the terminal and disconnect any peripheral devices. Unplug the terminal's power cord.
2. Remove the Front Cover.
 - a. Turn the Keylock to the unlocked position.
 - b. Pull the top edge of the Front Cover away from the chassis and remove the cover.



30629

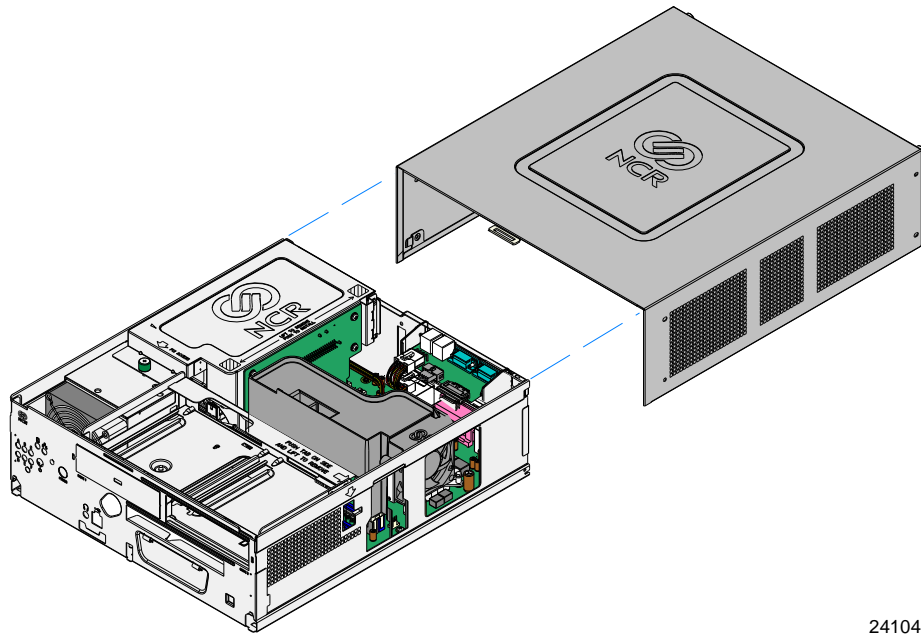
3. Remove the Top Cover.
 - a. Loosen the thumbscrews (2) that secure the Top Cover.



Thumbscrews

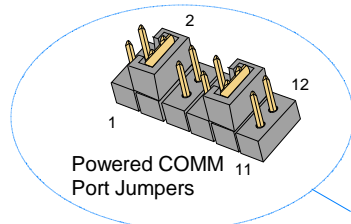
30634

- b. Slide the cover toward the rear of the terminal to remove it.

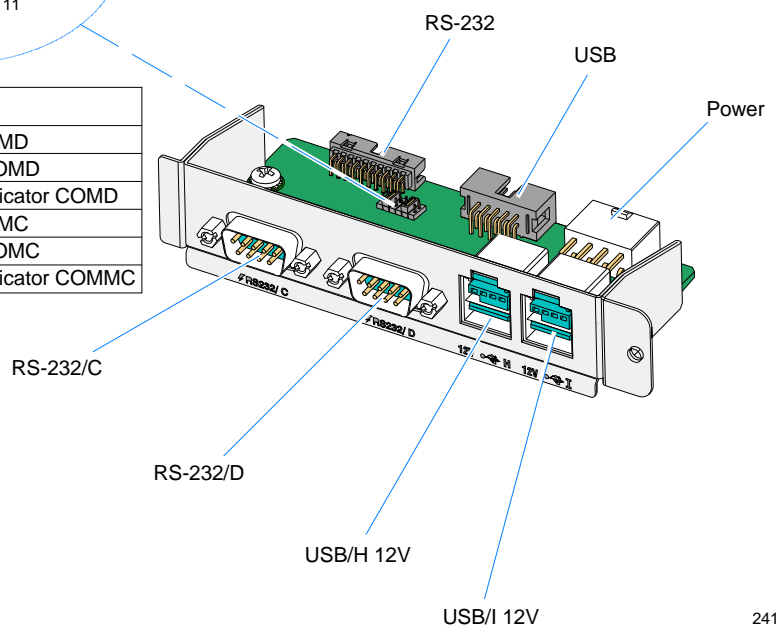


24104

- 4. Set the jumpers on the Extended I/O Board to meet your requirements.

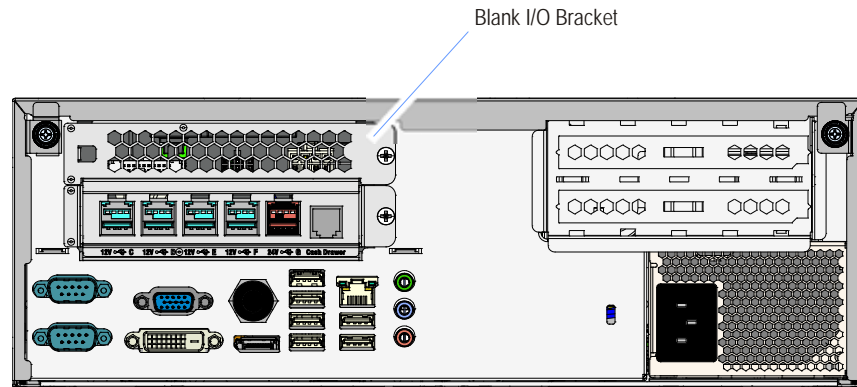


| Jumper | Pin 9 |
|-------------|----------------------|
| Pin 1 - 2 | +5V COMD |
| Pin 3 - 4 | +12V COMD |
| Pin 5 - 6 | Ring Indicator COMD |
| Pin 7 - 8 | +5V COMC |
| Pin 9 - 10 | +12V COMC |
| Pin 11 - 12 | Ring Indicator COMMC |



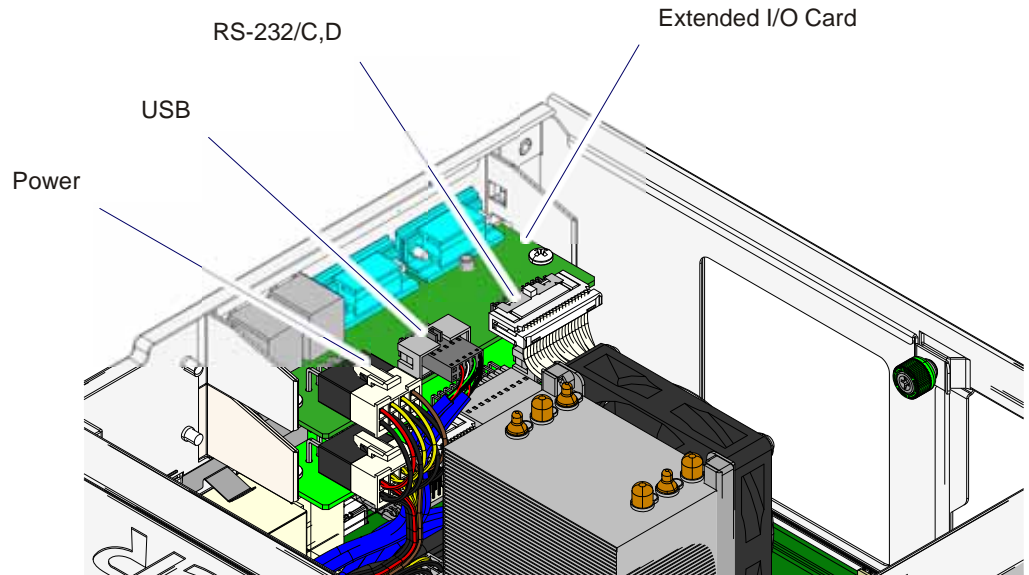
24182

5. Remove the Blank I/O Bracket from the back of the terminal chassis (one screw).



31255

6. Install the board assembly in terminal chassis where you removed the Blank I/O Bracket.
 - a. Slide the assembly to the left to connect the hook on the end of the bracket into the chassis.
 - b. Secure the assembly with the screw.
 - c. Connect the cables as identified below.



30639

7. Replace the Top and Front Covers.