

7606-K306/K307

# **Bezel**

Kit Instructions



Issue A

# Revision Record

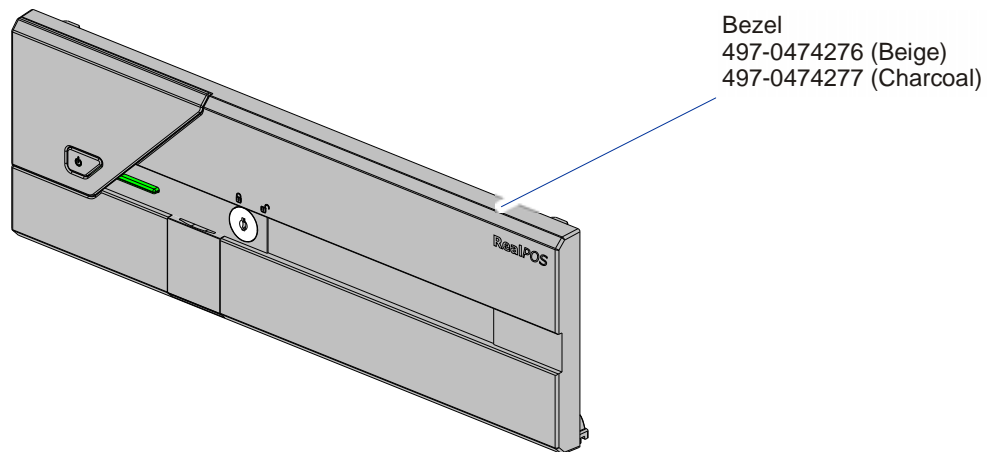
Issue	Date	Remarks
A	May 2012	First Issue

## Introduction

This kit is required when using the 7606-K300 or 7606-K301 to integrate and convert the color on a 7606. A bezel is not included in the 7606-K300/K301 kit.

There are two Bezel Kits:

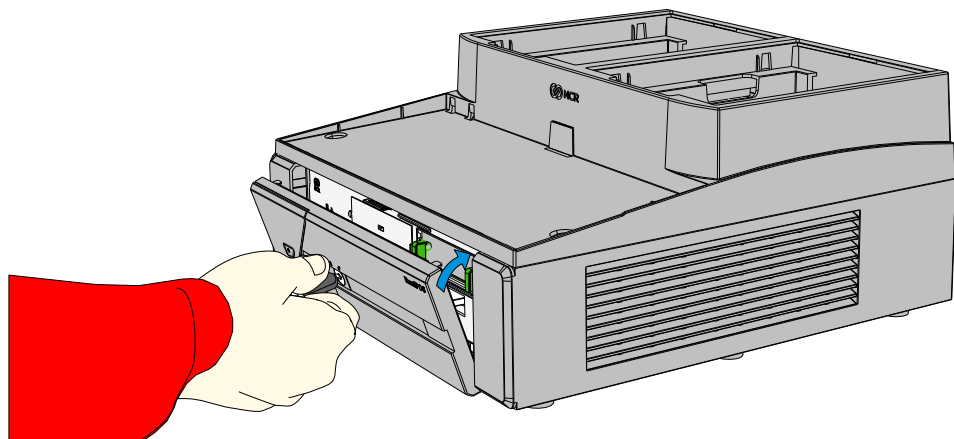
- 7606-K306; Beige Bezel
- 7606-K307; Charcoal Bezel



31284

## Installation Procedures

1. Turn the Keylock to the unlocked position.
2. Insert the hooks on the bottom edge of the Bezel in the slots in the chassis.
3. Pivot the top of the Bezel into the chassis until it snap into position. Turn the Keylock to the locked position.



31283