

7610-K151

# **MSR w/Biometric Fingerprint Reader**

Kit Instructions



Issue A

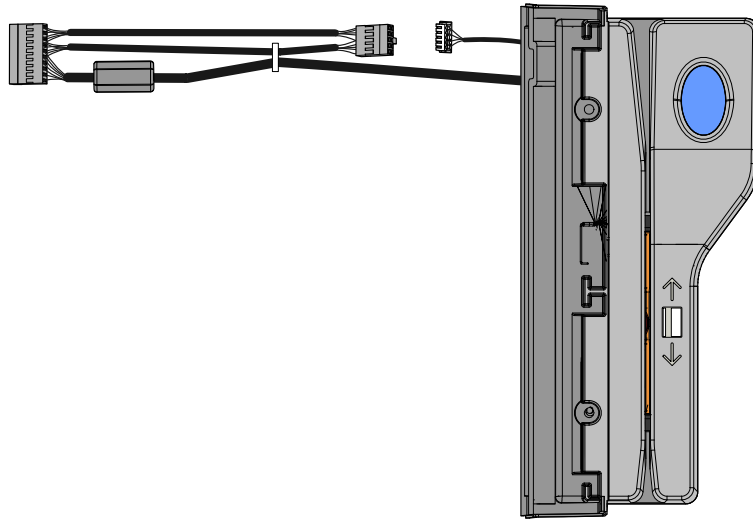
---

## Revision Record

Issue	Date	Remarks
A	Feb 2011	First issue

## Introduction

This kit provides a 3-track ISO MSR w/Digital Persona HD biometric fingerprint reader assembly that mounts on the side of the 7610/11.



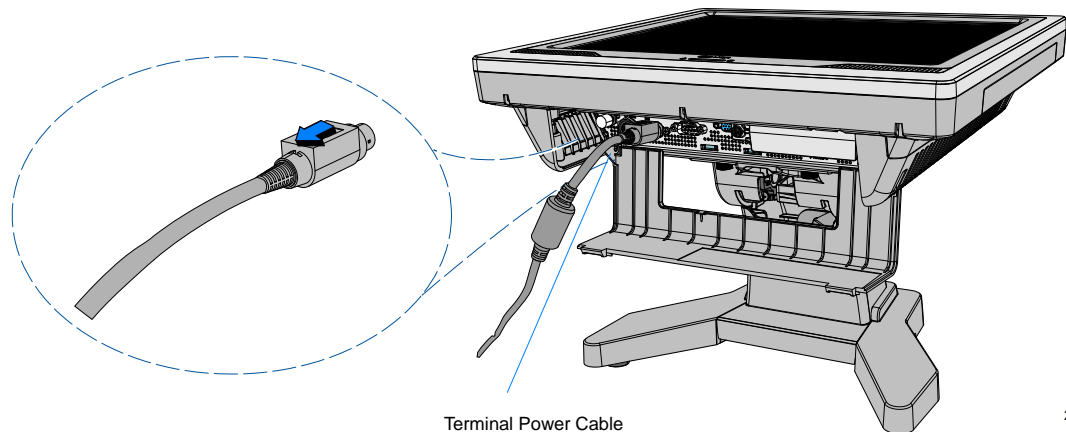
29402

## Installation Procedures

**Warning:** Disconnect the power before disassembling the Terminal.

1. Disconnect the Power Cable.

The Power Cable connector *locks* into position when connected to the terminal and cannot be removed by simply pulling on the cable. You must grasp the connector and slide the outside housing out from the terminal connector to *unlock* it from the terminal connector to remove it.

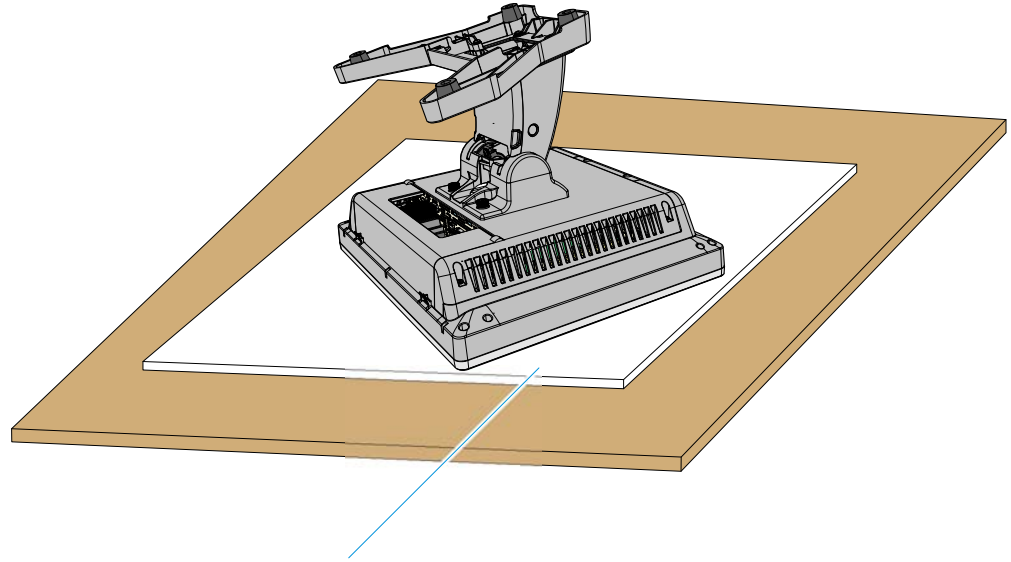


29249a

2. Remove the Table Top Stand.
  - a. Lay the terminal face down on a flat surface.

**Caution:** The front bezel is a painted component and the weight of the terminal can cause abrasions when moved around on a surface. **Always** use a soft material (cloth, foam) to protect the bezel when placing the terminal face down.

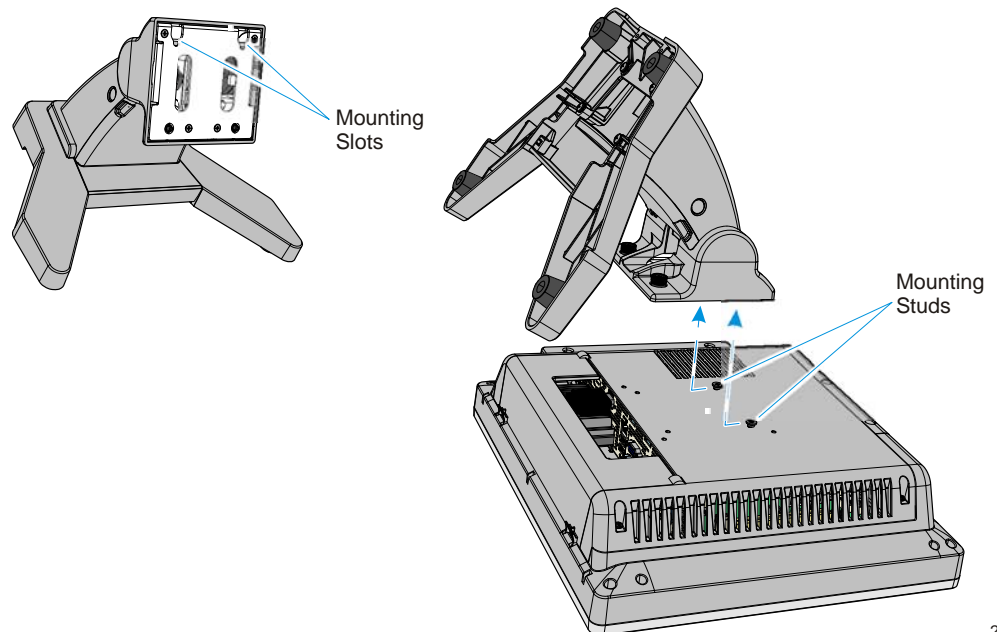
- b. Loosen the captive thumbscrews (2) that secure the Table Top Stand.



Protective Foam or Cloth

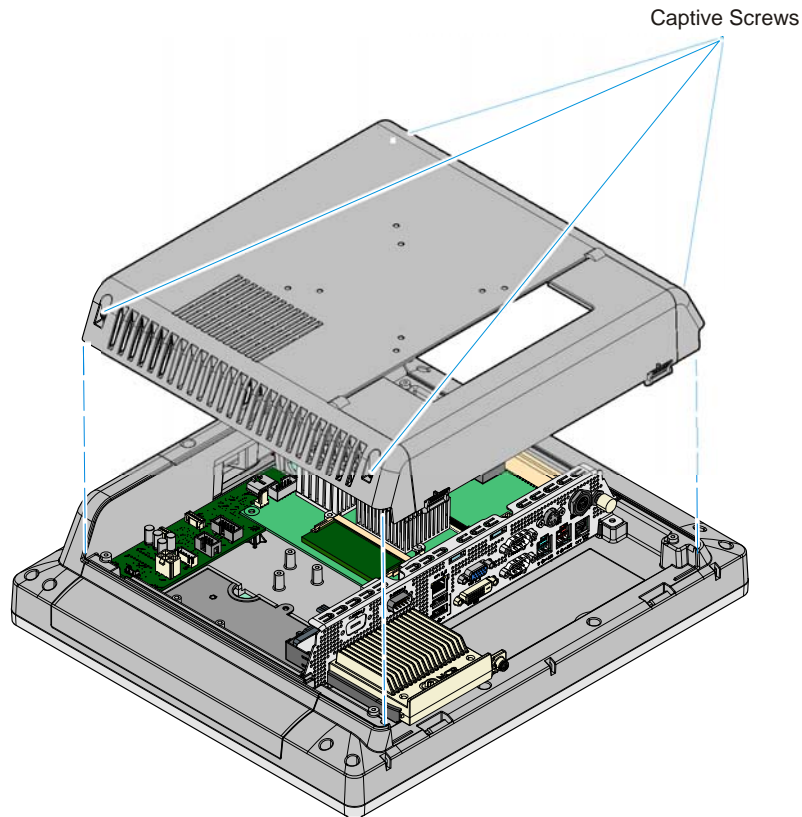
29241a

- c. Slide the Table Top Stand as shown to disengage the slots in the Table Top Stand from the Mounting Studs on the back of the terminal.



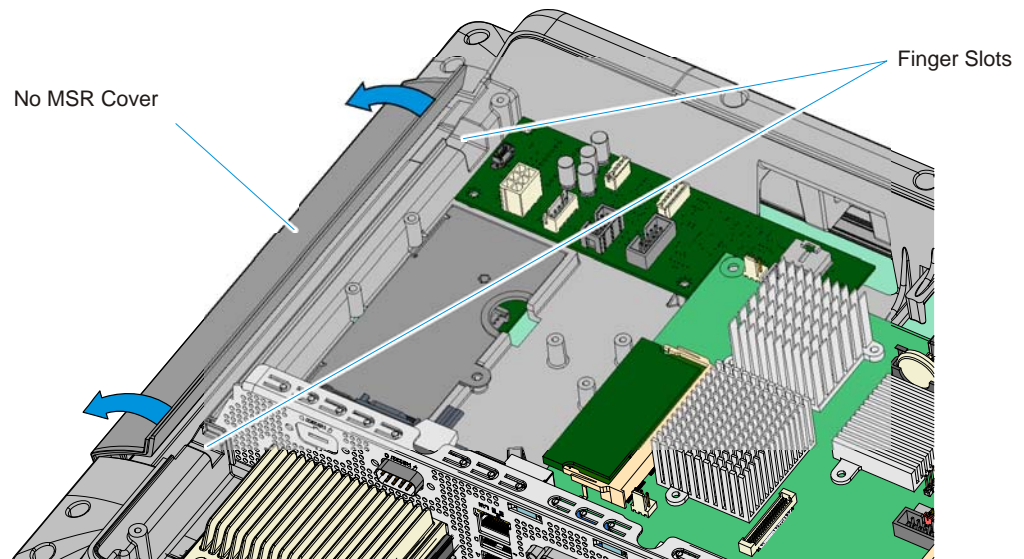
29239a

3. Remove the Rear Cover (loosen the captive screws (4) that secure it to the chassis.)



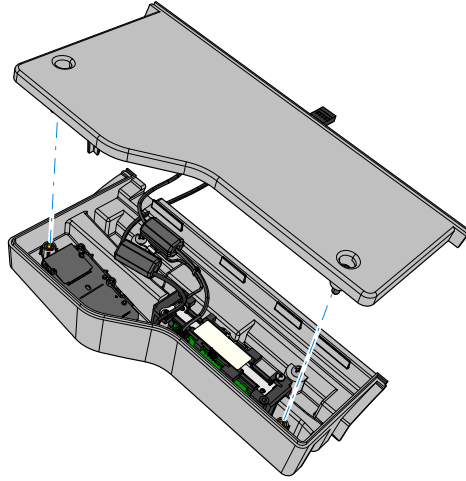
29287

4. Remove the No MSR Cover. Place your two index fingers in the Finger Slots and pry the edge of the No MSR Cover from the terminal chassis as shown. Lift the cover from the terminal.



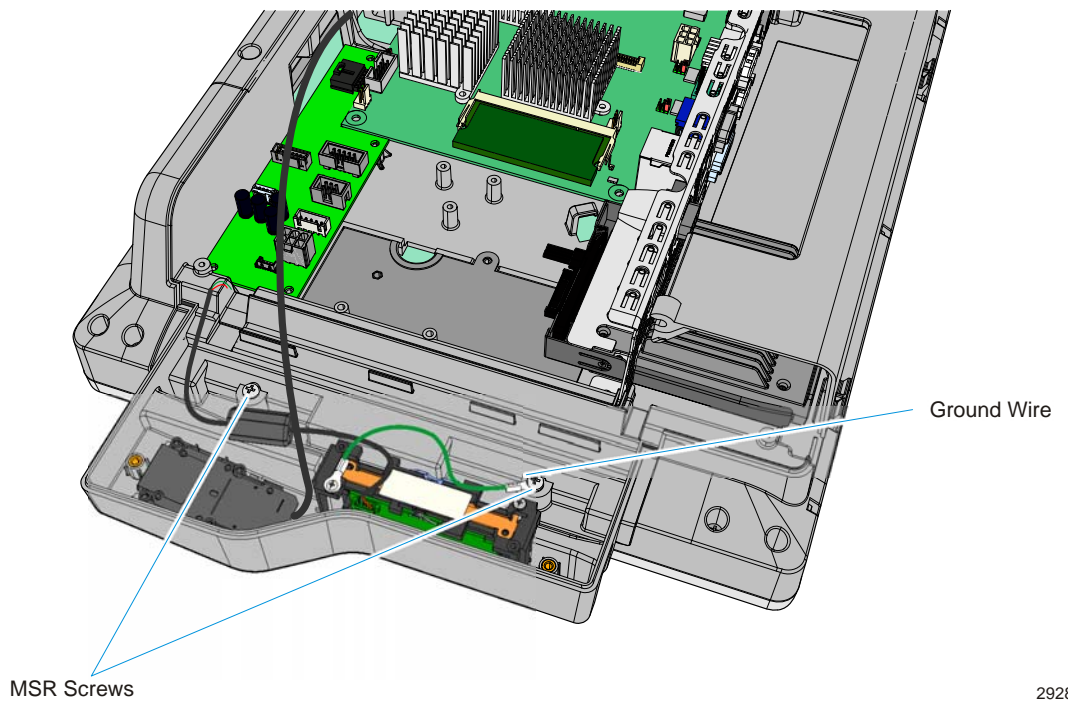
29288

5. Loosen the captive screws (2) and remove the MSR Cover.



29403

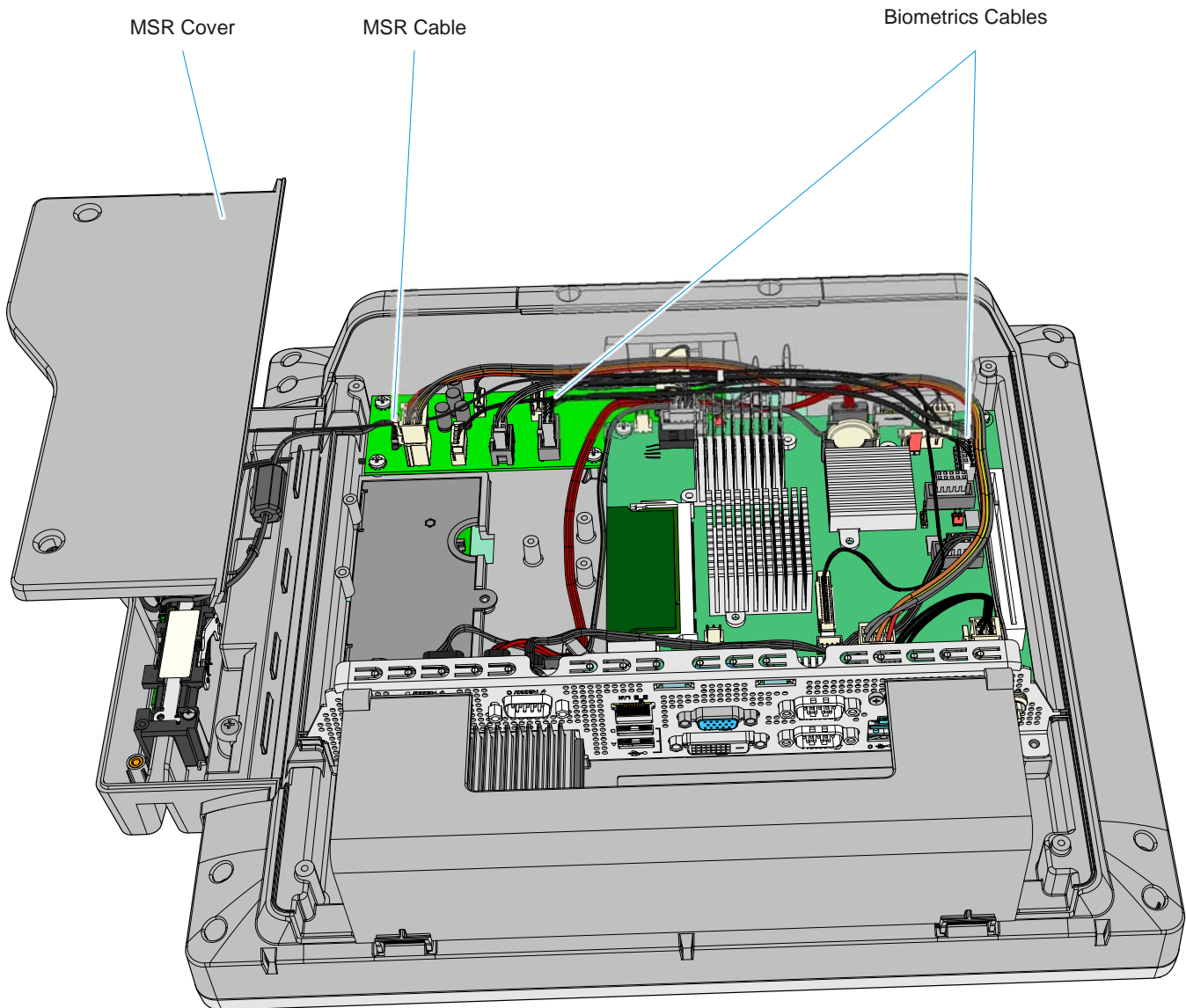
6. Install the MSR Assembly on the terminal cabinet (2 screws). Secure the MSR Ground Wire under one of the screws.



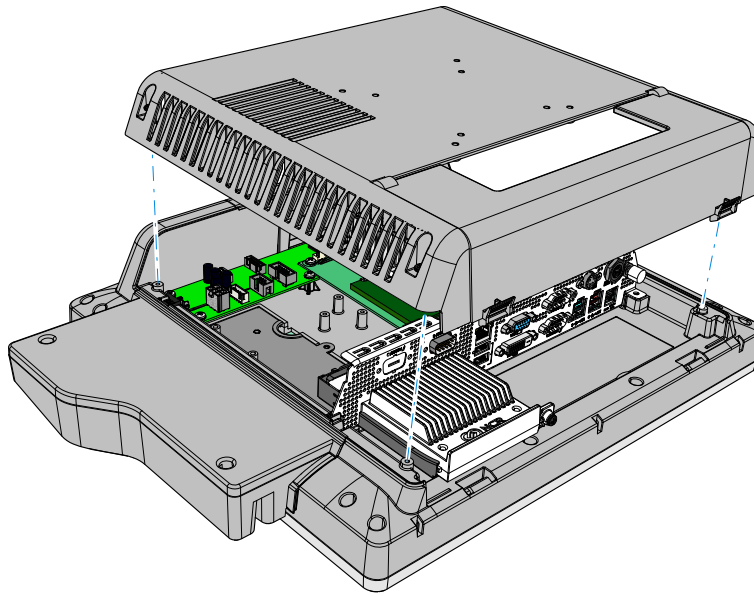
MSR Screws

29285

7. Connect the MSR Cable to the Touch Controller Board.
8. Connect the Biometrics Cable to the Touch Controller Board and the Motherboard.
9. Install the MSR Cover (2 captive screws).



10. Replace the Rear Cover (4 captive screws).



29411

11. Replace the terminal on the Table Top Stand.



---

## MSR Programming

If the MSR Module is replaced the customer is responsible for re-programming the device to custom wedge-emulation parameters, using the NCR MSR Configuration Utility, which is available on the NCR website at:

<http://www.ncr.com>

1. At this site, select the **Support** tab.
2. Select **Drivers and Patches** → **Retail Support Files** → **NCR RealPOS and SelfServ Terminal and Operating Systems** → **NCR RealPOS 25 (7610)** → **Windows** → **MSR Configuration Utility**.

For information about how to use the utility see the *NCR MSR Configuration Utility User Guide* (B005-0000-2031).