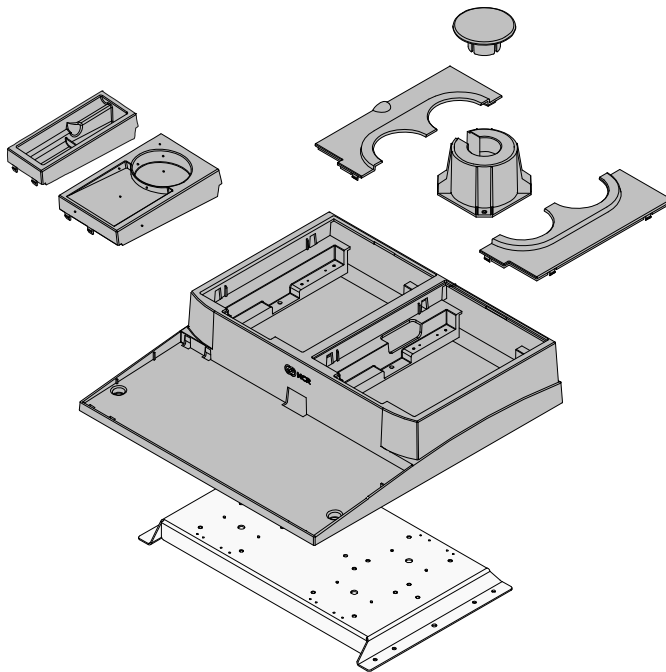


7610-K304

# Peripheral Integration Tray

Kit Instructions



Issue A

---

## Revision Record

Issue	Date	Remarks
A	Feb 2011	First issue

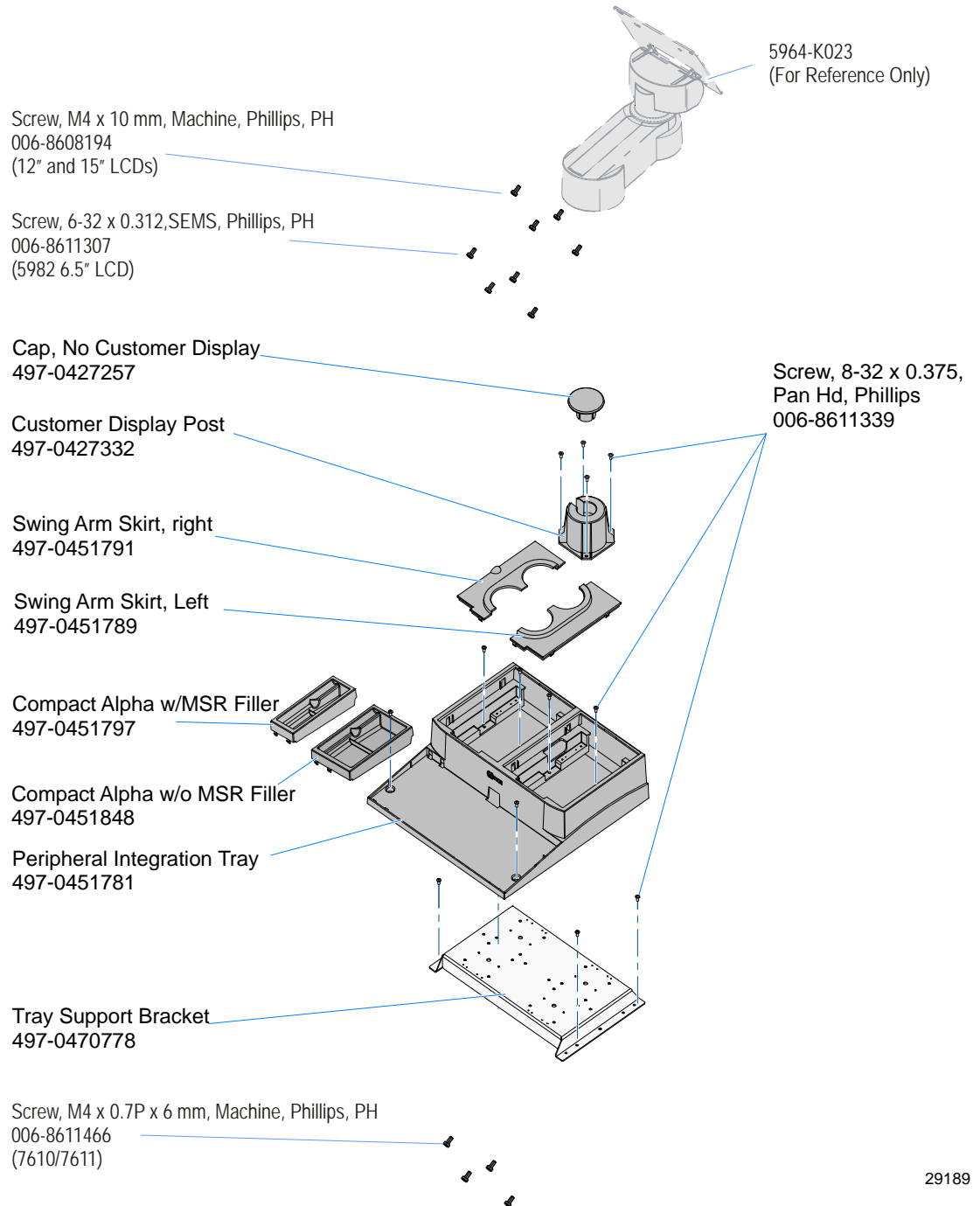
# Peripheral Integration Tray

---

## Introduction

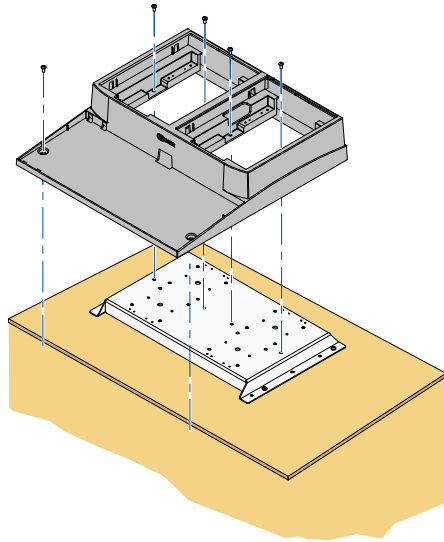
This kit provides the necessary components for configuring a 7610/7611 with integrated displays and printers on a table top or cash drawer.

# Components

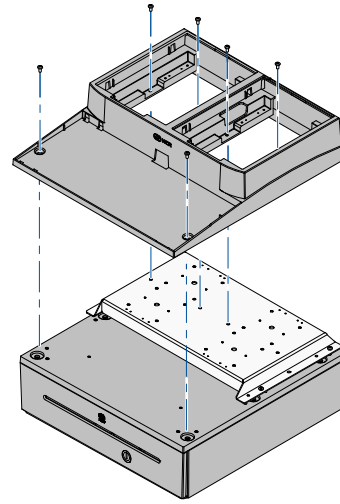


## Mounting Options

The Integration Tray can be mounted on a table top or on a cash drawer.



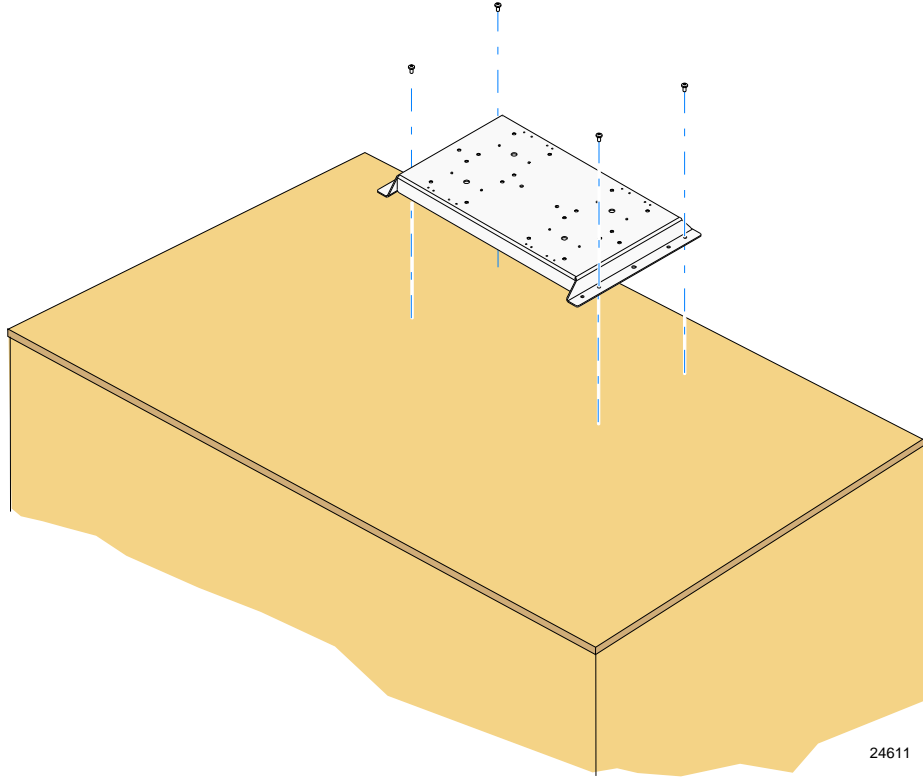
Mounted on Flat Surface



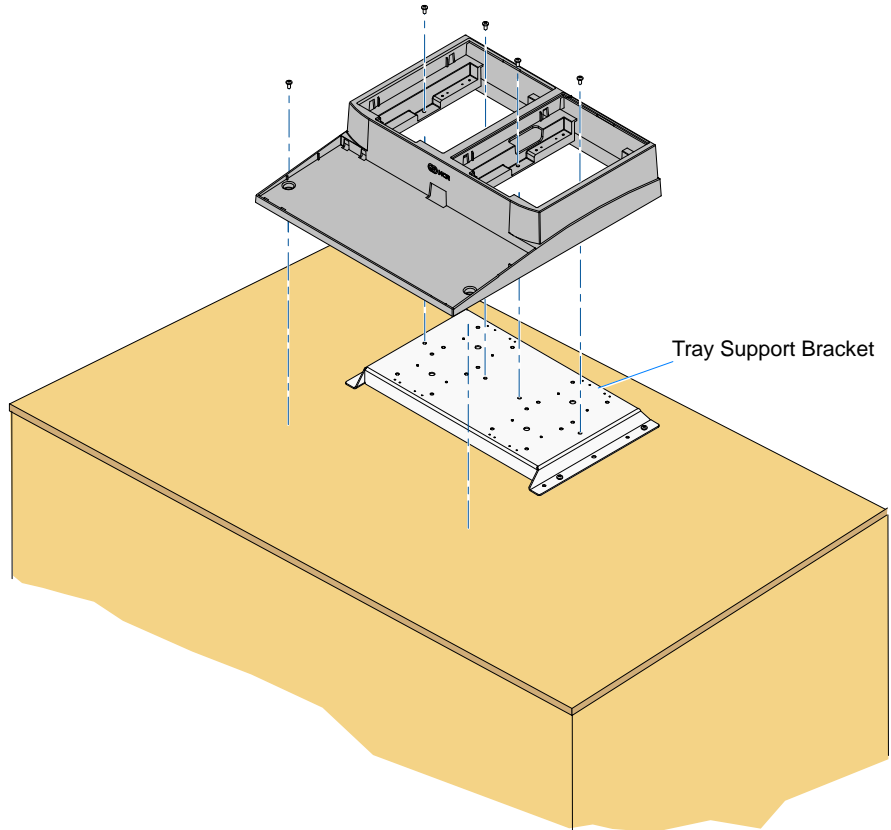
Mounted on NCR 2181 Cash Drawer

## Installing the Peripheral Integration Tray on a Flat Surface

1. Position the Tray Support Bracket on mounting surface and secure it with screws (4) that are appropriate for the surface type.

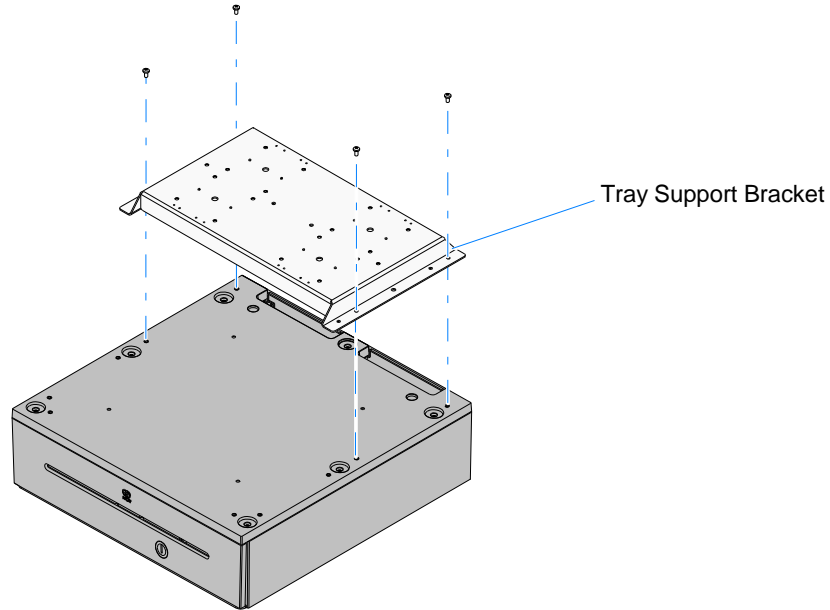


2. Position the Peripheral Integration Tray on top of the Tray Support Bracket. Secure the tray to the Tray Support Bracket with screws (2). Secure the front of the tray to the mounting surface with screws (2) that are appropriate for the surface type.



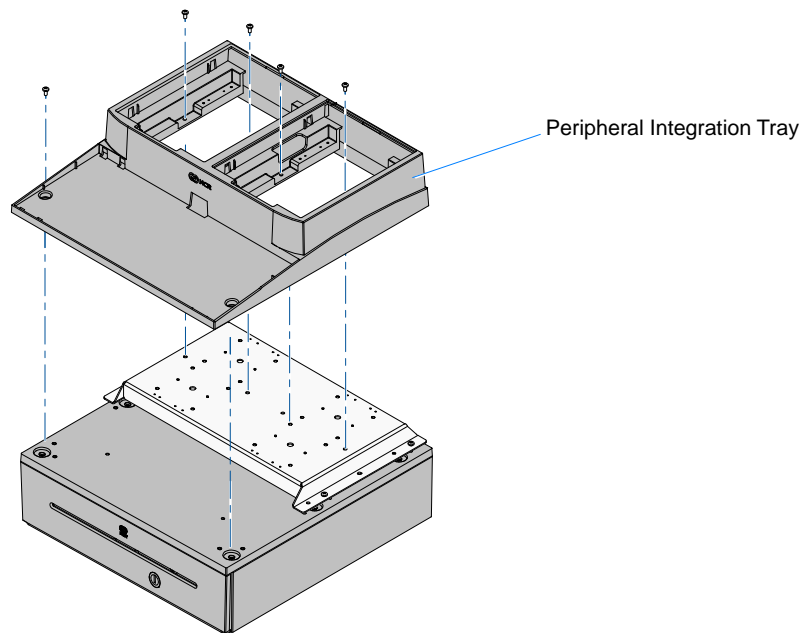
## Installing the Peripheral Integration Tray on a Cash Drawer

1. Position the Tray Support Bracket on top of the Cash Drawer and secure it with screws (4).



24614

2. Position the Peripheral Integration Tray on top of the Tray Support Bracket and secure it with screws (4).



29264

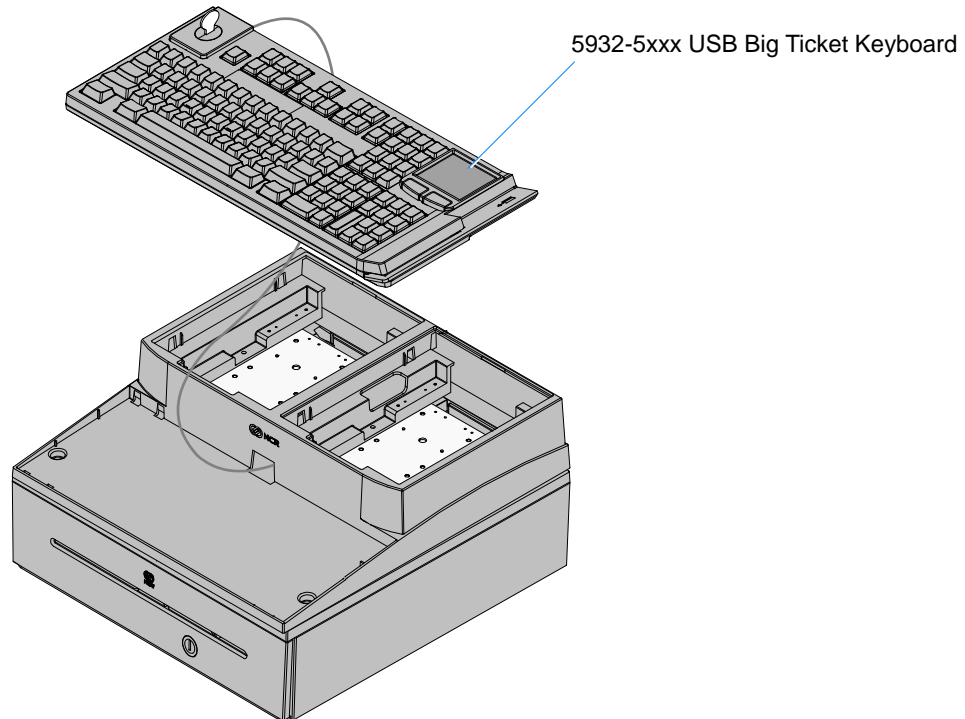


# Installing the Keyboard

Keyboard installation varies, depending on which keyboard you are using. See the following options.

## *NCR 5932-5xxx USB Alphanumeric Big Ticket Keyboard*

1. Route the cable as shown.
2. Place the keyboard in the Peripheral Integration Tray.



### *NCR 5932-6xxx Compact Alpha-Numeric Keyboard*

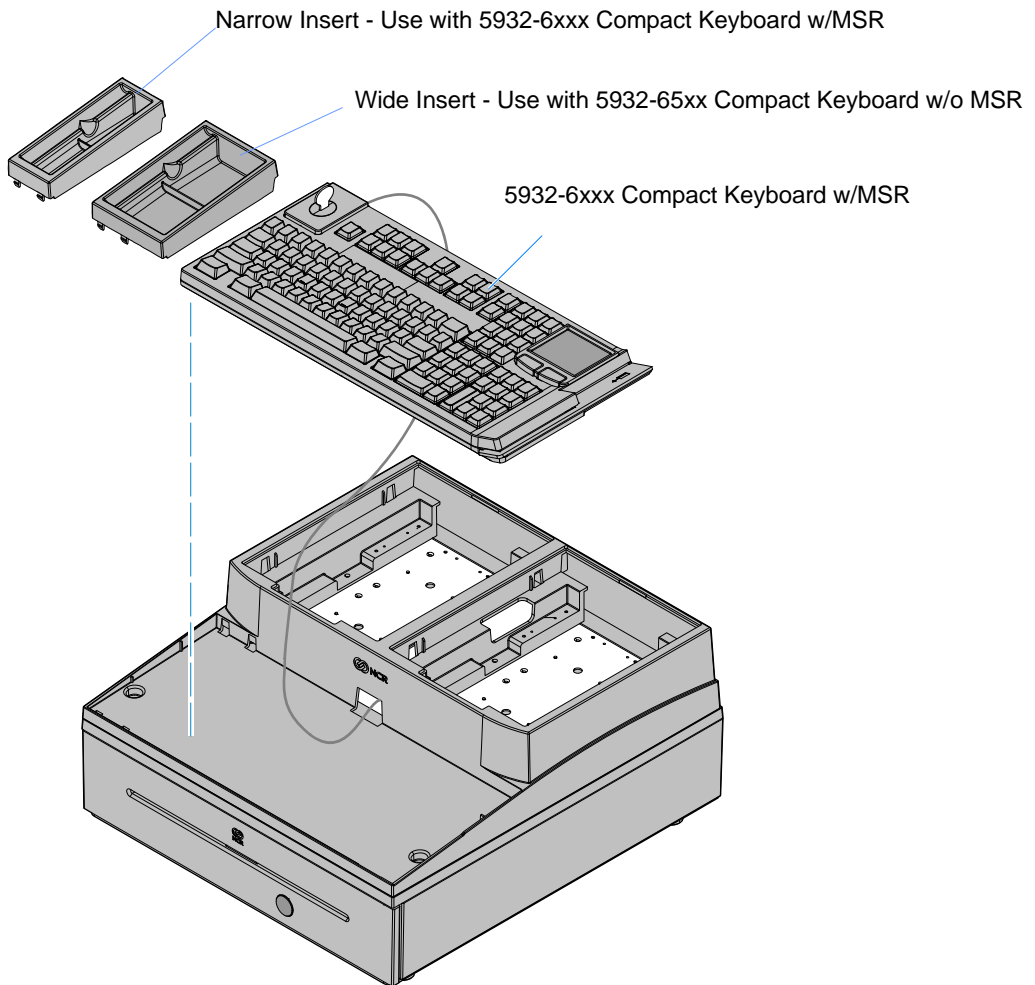
There are two versions of the 5932 Compact Alphanumeric Keyboard

- NCR 5932-65xx Compact Alpha-Numeric Keyboard (PS/2)
- NCR 5932-66xx Compact Alpha-Numeric Keyboard (USB)

#### *Installation procedures:*

1. Connect the cable to the keyboard.
2. Route the cable into the Peripheral Tray as shown.
3. Place the keyboard in the Peripheral Integration Tray.
4. Install the Keyboard Tray Insert.

**Note:** There are two Keyboard Tray Inserts in the kit. The narrow tray is used in all cases except when using the 5932-65xx PS/2 model *without* an MSR.

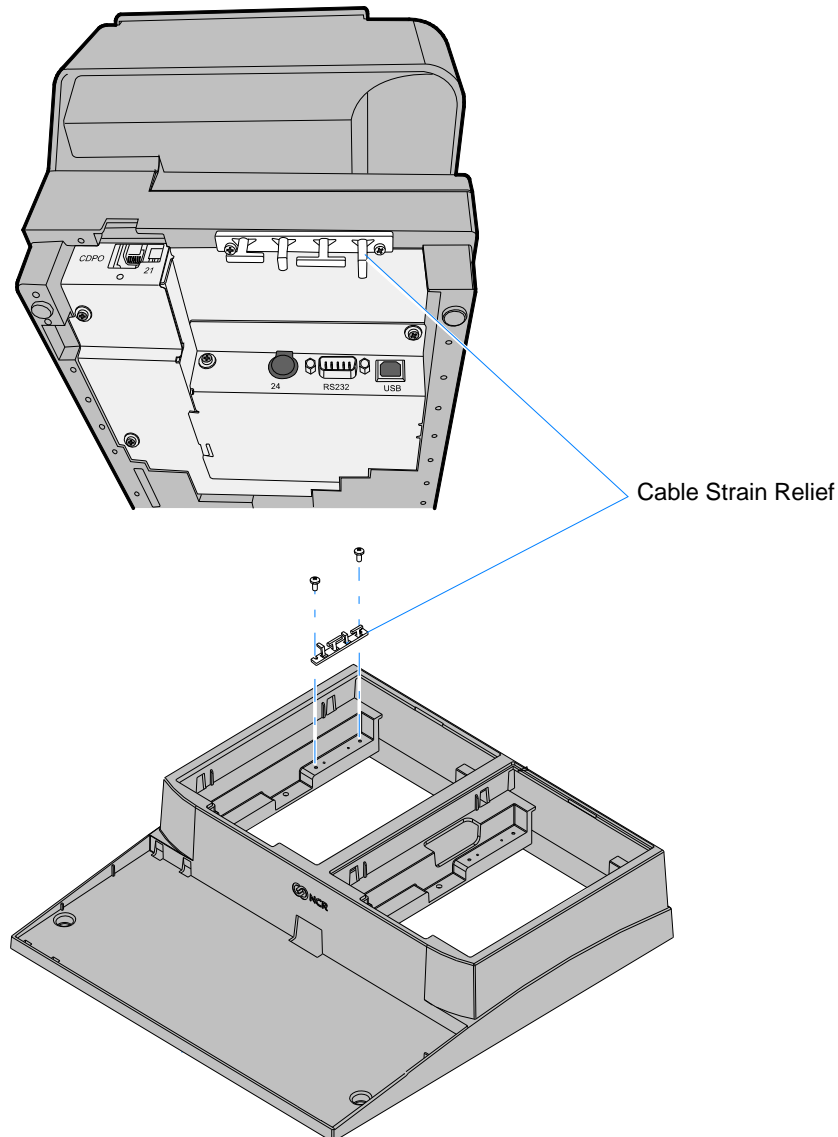


## Installing the Transaction Printer

A NCR 7167, 7168, 7197, or NCR 7198 printer can be integrated using the Peripheral Integration Tray or they can be connected as remote devices. Other printers are available as remote devices only. The printer can be located on either side of the Peripheral Integration Tray. Consideration should be given to which types of displays are to be installed.

### NCR 7167/7168 Only:

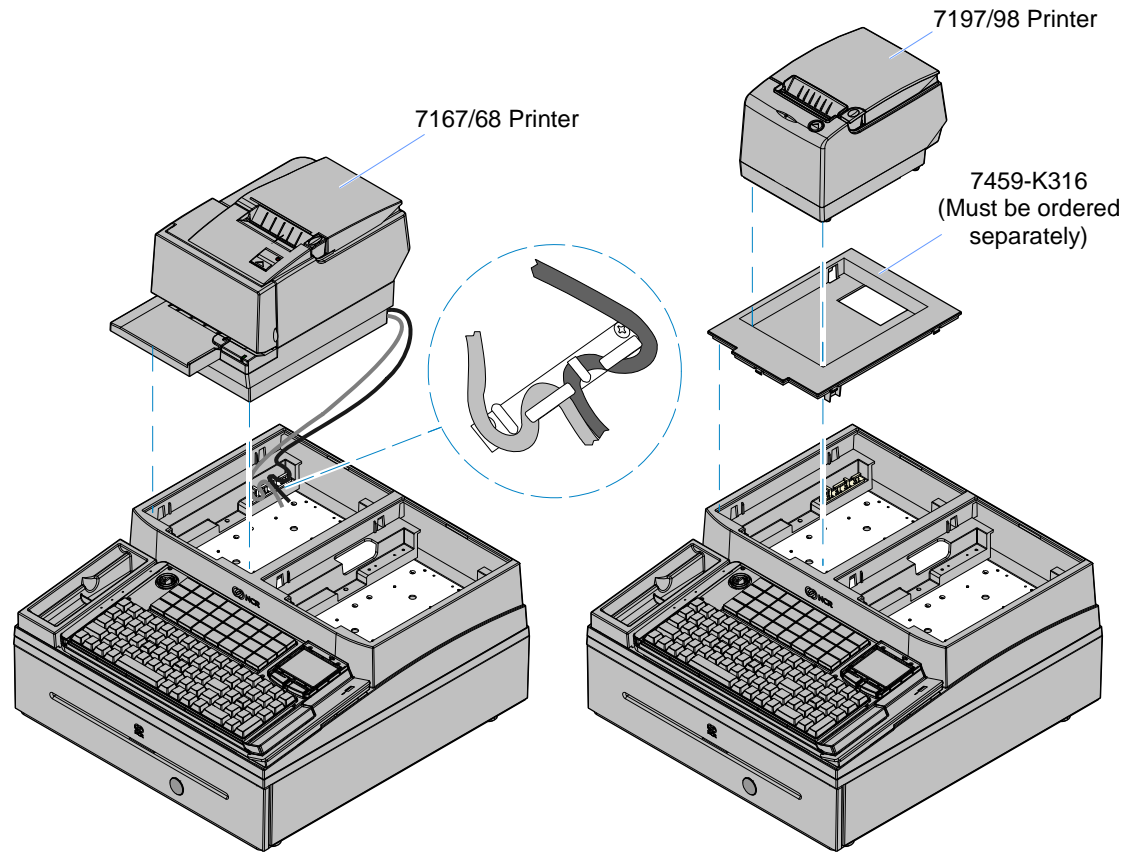
1. Remove the Cable Strain Relief from the back of the printer (2 screws). The printer will not sit properly in the tray with the Strain Relief installed.
2. Install the Cable Strain Relief on the Integration Tray using the same screws.



3. Route the printer cable out the back of the terminal and set the printer in the tray opening.

**NCR 7197/7198 Only:** First install the 7459-K316 Printer Skirt, route the cable out the back of the terminal, and then set the printer in the cabinet.

**NCR 7167/7168 Only:** Route the cable through the Cable Strain Relief and then set the printer in the cabinet.



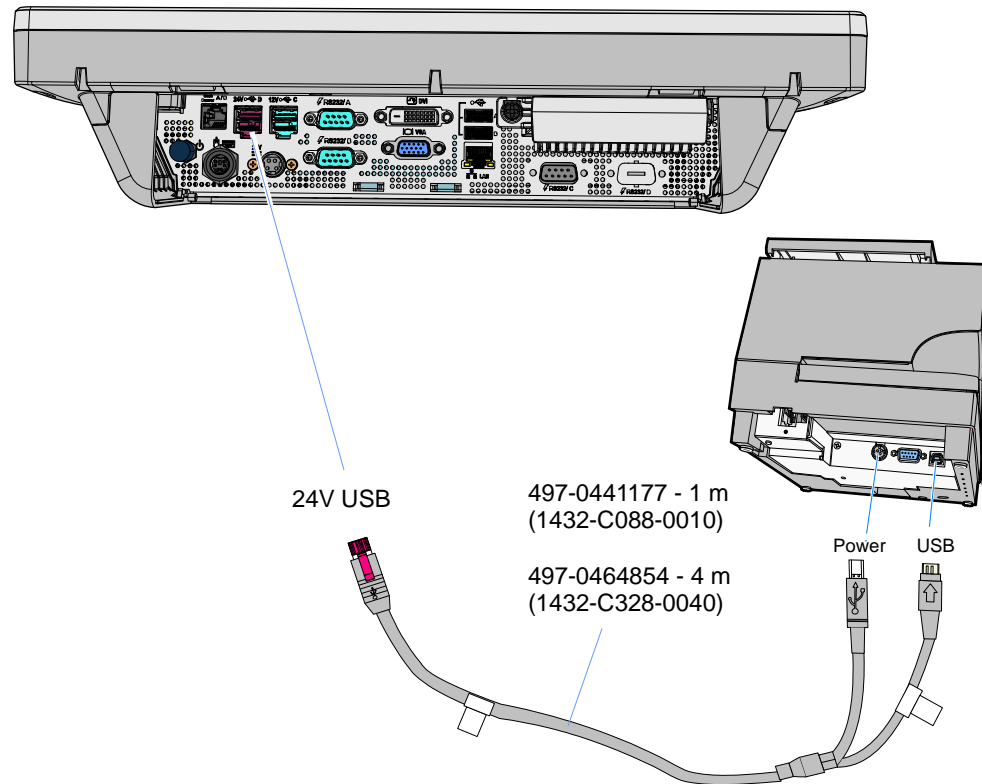
## Printer Cable Connections

The printer can be connected using USB or RS-232 connections. Connect the cables to the printer at this time. Connect them to the terminal after you install the terminal.

**Note:** 1m cables provide sufficient length for integrated configurations.

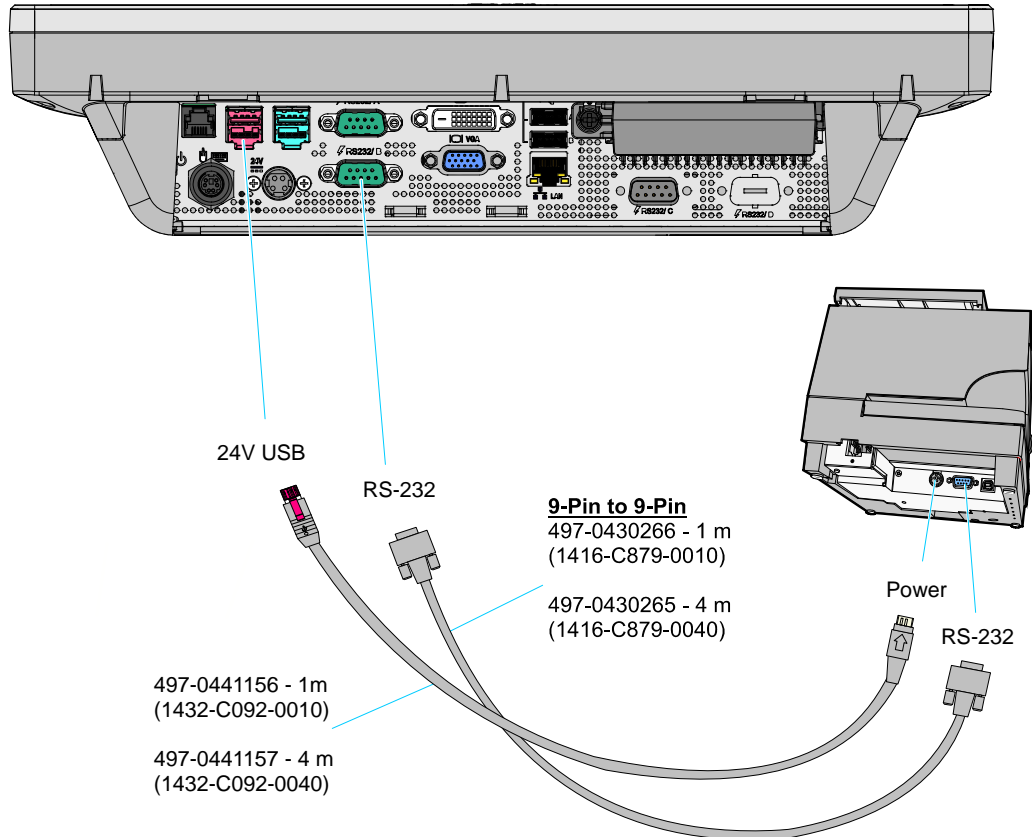
### USB Installation

Connect the Powered USB Printer Interface Cable to the *USB Connector* and *Power Connector* on the printer and to the *24 V Powered USB Connector* on the terminal.



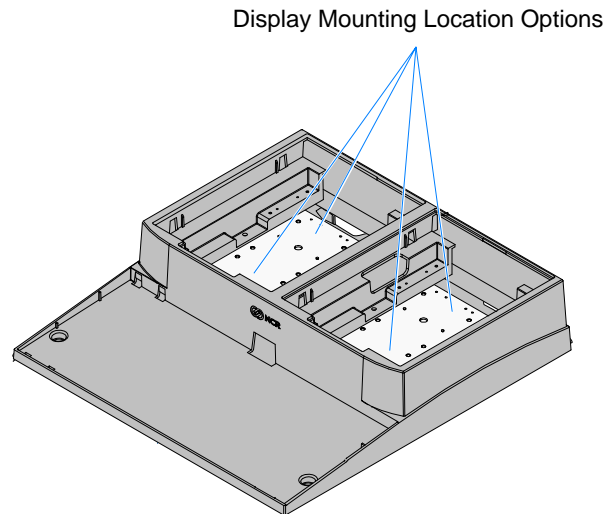
## RS-232 Installation

1. Connect the RS-232 Printer Interface Cable to the *RS-232* connector on the printer and to a non-powered *RS-232* connector on the terminal.
2. Connect the Powered USB Printer Interface Cable to the *USB Connector* and *Power Connector* on the printer and to the *24V Powered USB Connector* on the terminal.



## Installing the Terminal

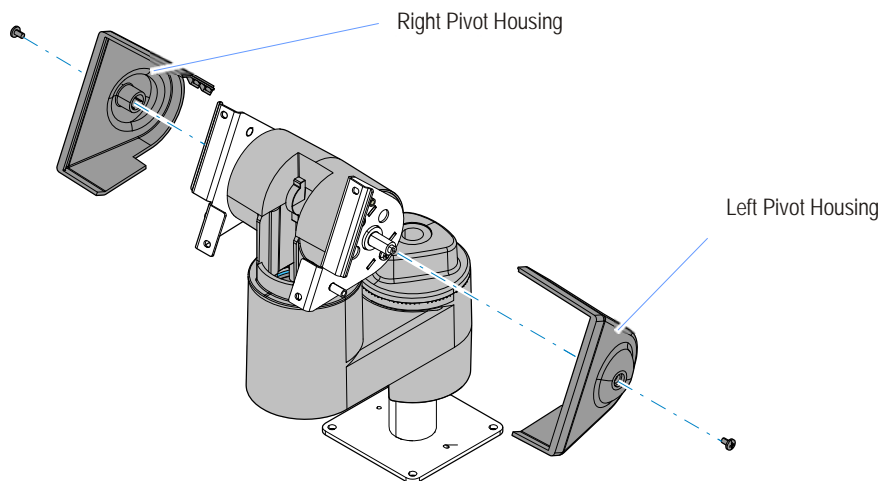
The terminal requires Enhanced Integration Tray Display Mount (5964-K027), which must be ordered separately. The terminal can be installed on the right, left, front, or rear of the Peripheral Integration Tray.



26067

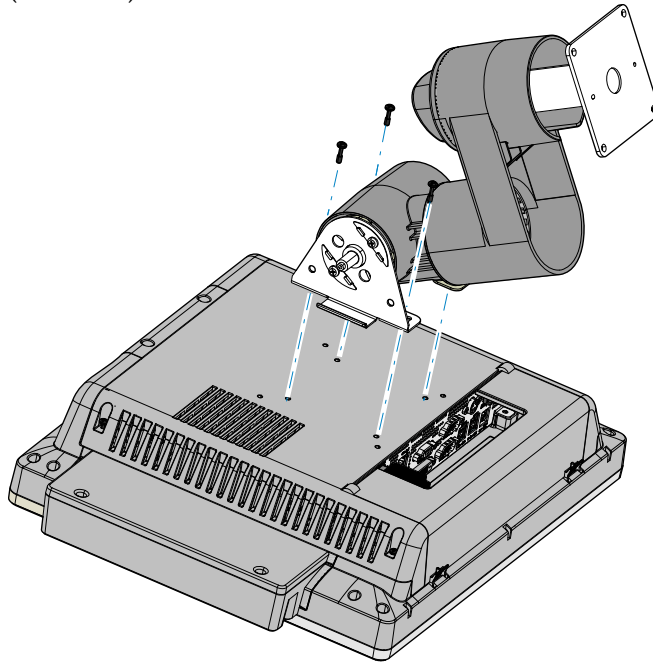
**Note:** When there is no Customer Display the recommended location for the terminal is the back position, thus minimizing the overhang of the display.

1. Remove the Left and Right Pivot Housings from the Display Arm.



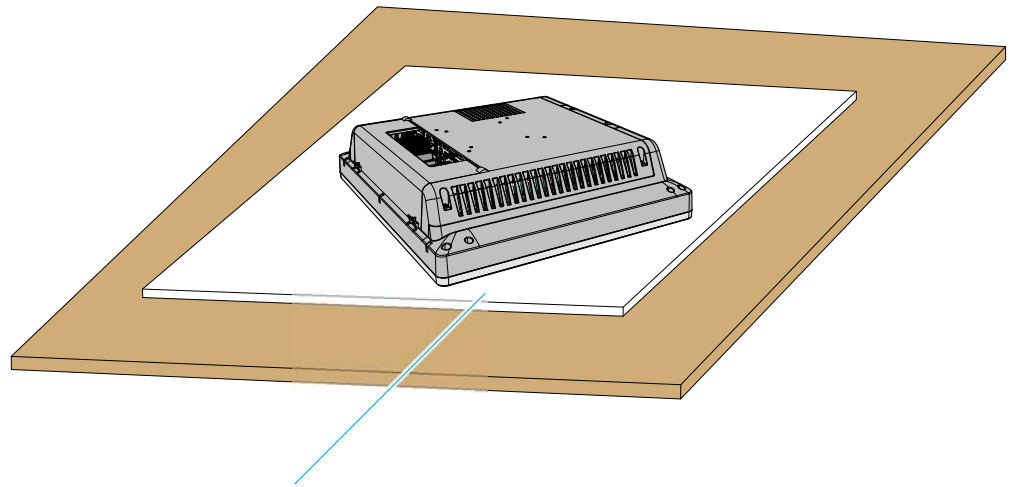
29197a

2. Install the Display Arm and Tilt Mount Assembly onto the back of the terminal (4 screws).



29199

**Caution:** The front bezel is a painted component and the weight of the terminal can cause abrasions when moved around on a surface. **Always** use a soft material (cloth, foam) to protect the bezel when placing the terminal face down.

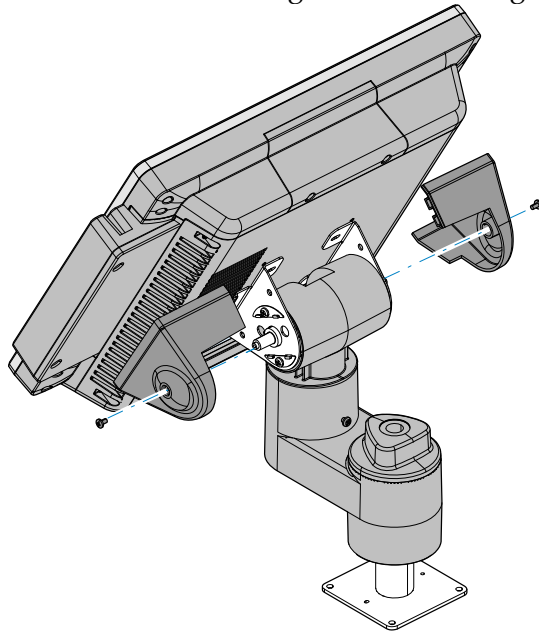


Protective Foam or Cloth

29241

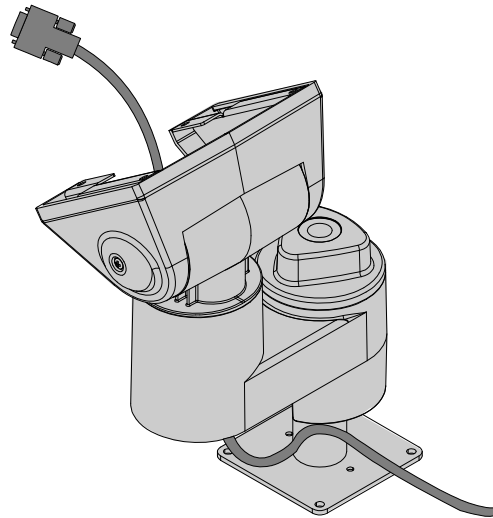


3. Install the Left and Right Pivot Housings (1 screw each).



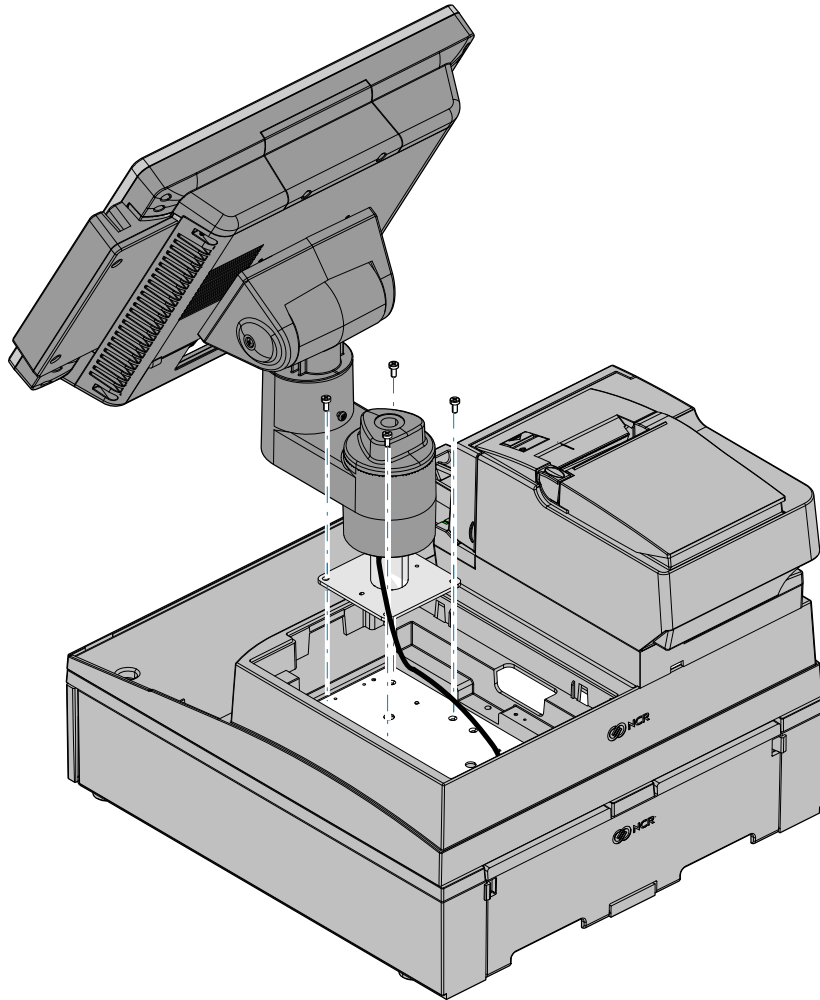
29200

4. Route any peripheral cables down through the mount.



21201

5. Install the Display Assembly on the Tray Support Bracket (4 screws).



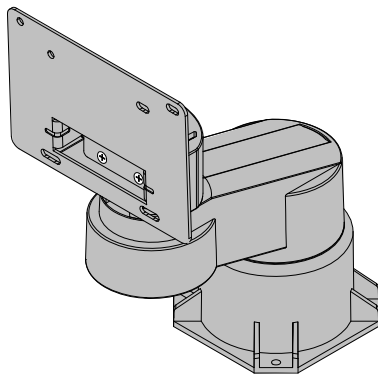
## Installing an Integrated Customer Display

The Peripheral Integration Tray can be configured with one of the following Customer Displays.

- NCR 5942 12.1" LCD
- NCR 5942 15" LCD
- NCR 5964 12.1" Touch LCD
- NCR 5965 15" Touch LCD
- NCR 5966 15" Touch LCD
- NCR 5982 6.5" LCD
- NCR 5972 2x20 Customer Display
- NCR 5975 2x20 Customer Display

## Installing an LCD Customer Display

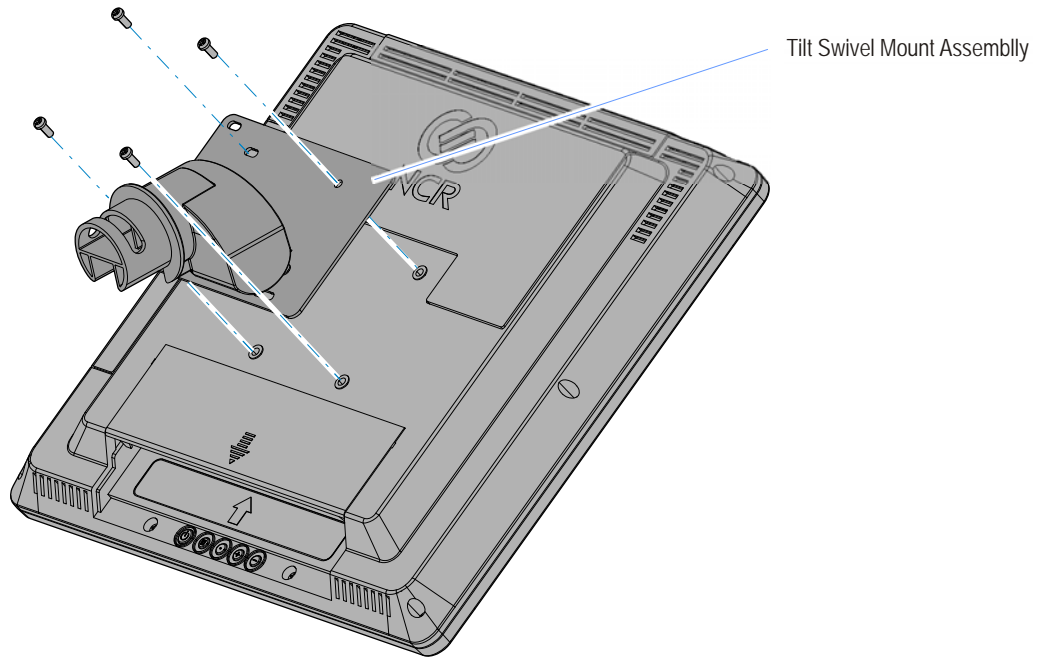
The LCD Displays all require the *Standard Integration Tray Mount (5964-K023)*, which is ordered separately.



21203

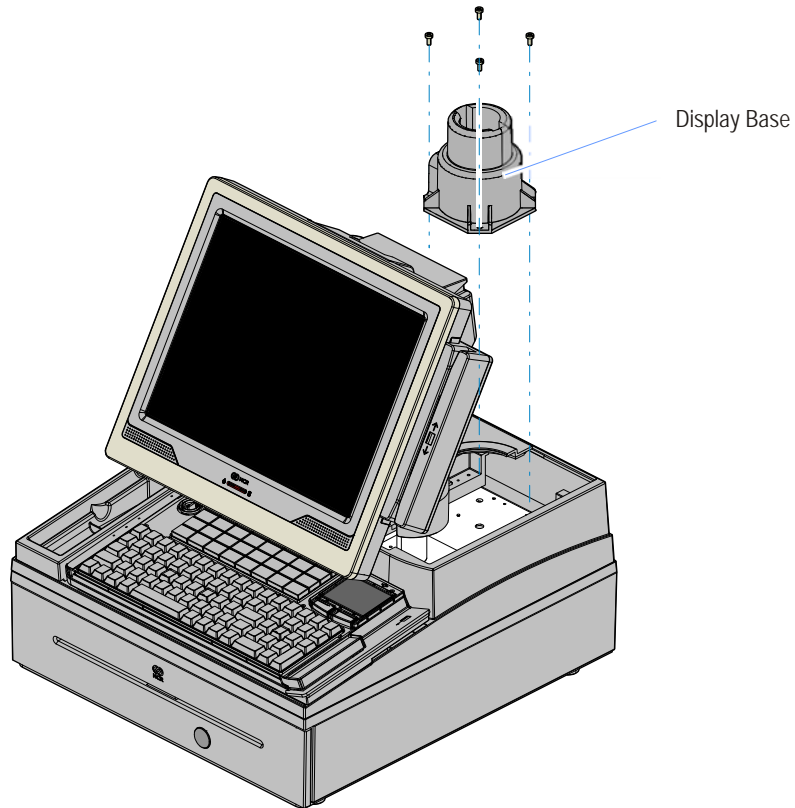
Since the installation procedures are similar, only the 5965 LCD is shown in this section. The primary differences are the cable connections to the terminal.

1. Install the Tilt Swivel Mount Assembly to the back of the LCD display (4 screws)



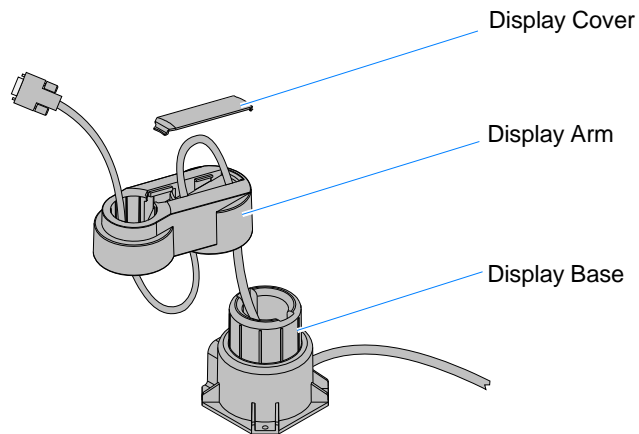
29219

2. Secure the Display Base to the Tray Support Bracket with screws (4).



29218

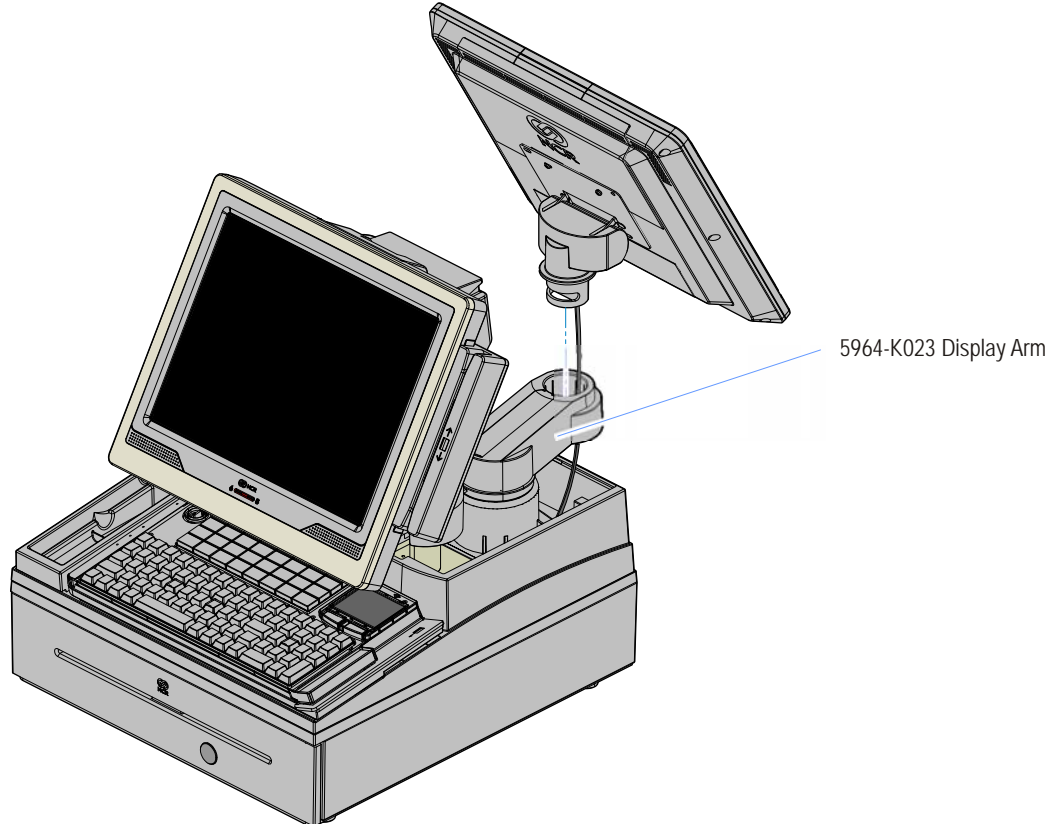
3. Route the display cables down through the Display Arm as shown below.



21202a

4. Install the Display Arm onto the Display Base.
5. Remove the excess slack in the cables and then install the Display Cover onto the Display Arm.
6. Connect the cables to the terminal.
 

**Note:** The Display Cable should be routed up through the Display Arm and Tilt Mount to the host terminal.
7. Insert the Display Assembly into the Display Arm.



## LCD Display Cable Connections

**Note:** The LCD Displays can be either integrated in the terminal or installed remotely. The cable connections are the same. 1m cables provide sufficient length for integrated configurations.

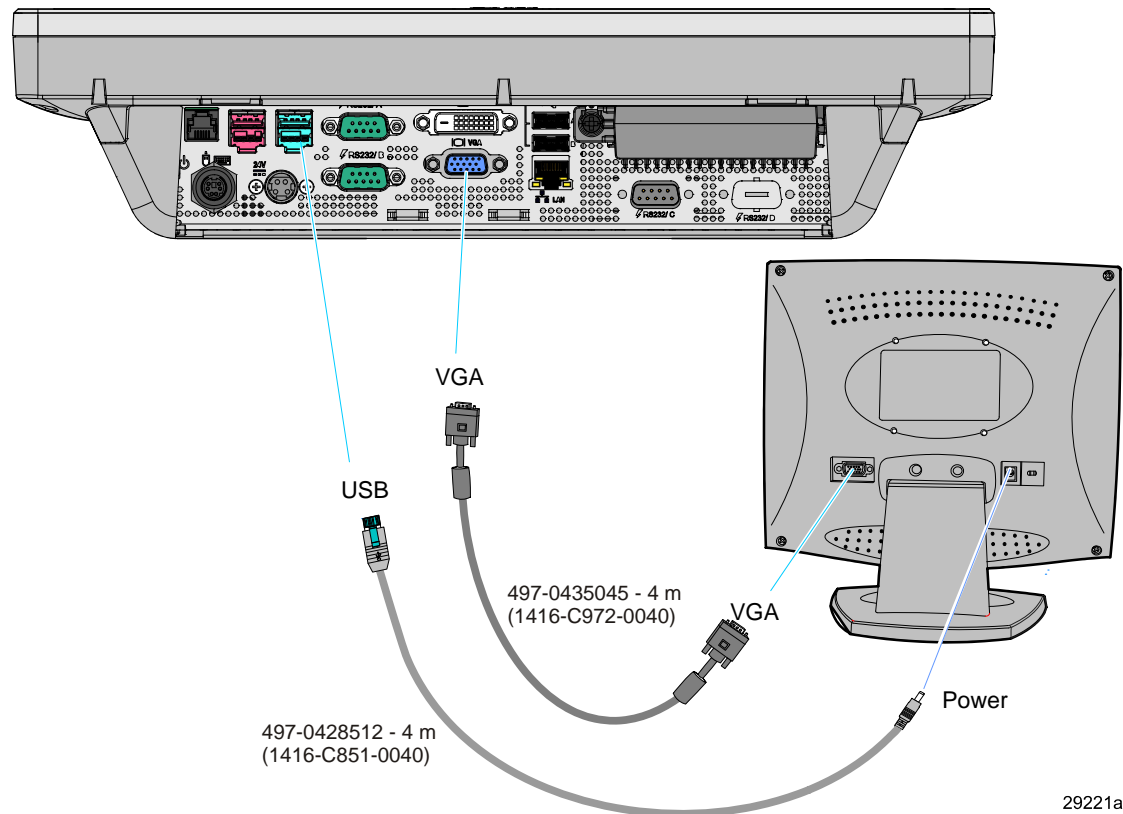
The Display Cables should be routed up through the Display Arm and Tilt Mount to connect to the host terminal.

### 5942 12-Inch LCD Cable Connections

**Note:** The 5942 LCD receives video through the VGA interface. Power is received from the terminal using a powered USB cable.

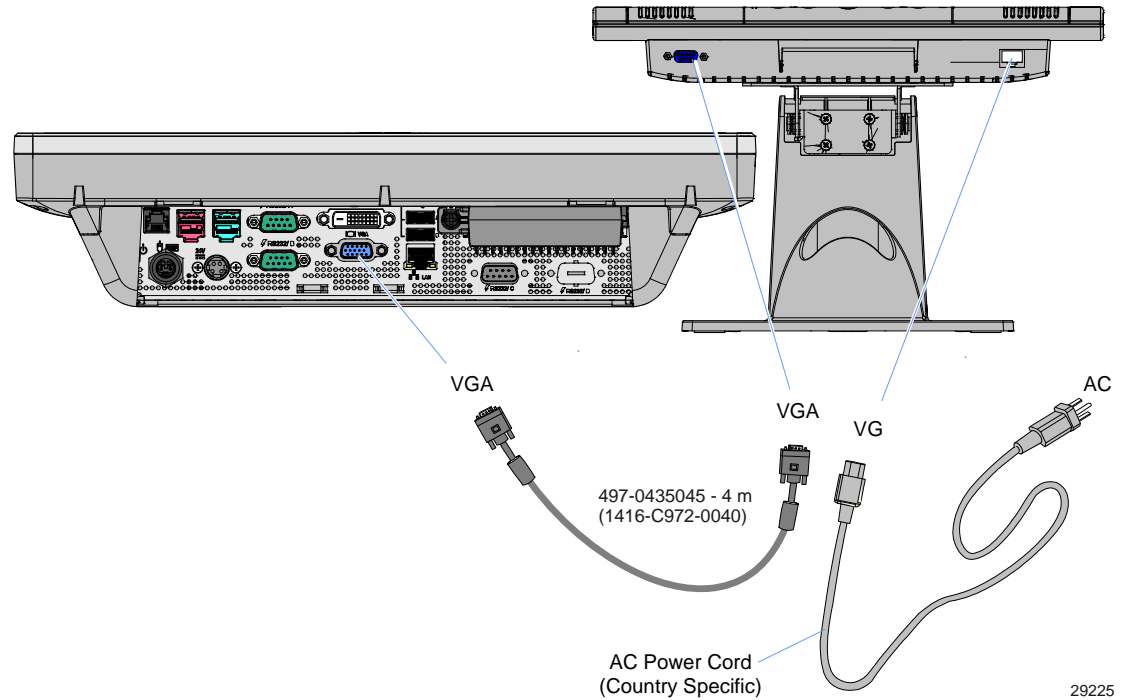
1. Connect the Video Cable to the VGA connectors on both the 5942 monitor and host terminal.
2. Connect the Powered USB Cable to the 5942 and to the *Powered 12V USB* connector on the host terminal.

For more information refer to the *NCR 5942 12.1-Inch LCD Monitor User's Guide* (B005-0000-1394)



## NCR 5942 15-Inch LCD Monitor Cable Connections

The 15-Inch 5942 LCD receives video through the VGA interface. It receives power from an AC power source.



1. Connect the Video Cable from the 5942 to the VGA connector on the host terminal.
2. Connect the AC Power Cord to the 5942.

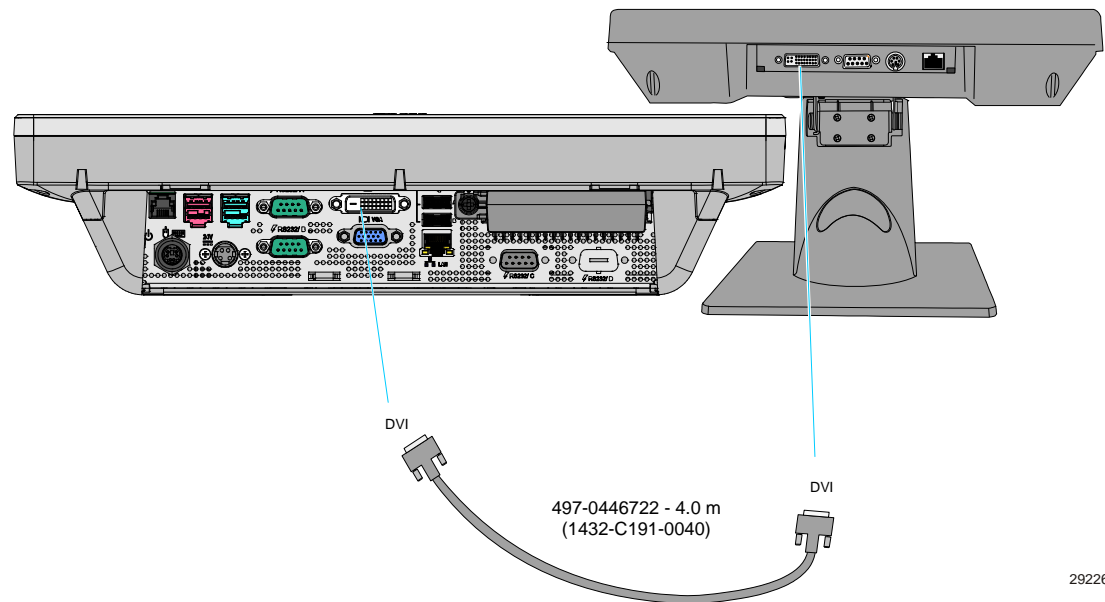
## 5964 12.1-Inch LCD Touch Monitor Cable Connections

There are two cables required to configure a 5964 12.1-Inch Touch LCD.

- DVI Cable – provides the video interface to the 5964 LCD
- RS-232 Y-Cable – provides a serial interface and power to the 5964 LCD. It also connects the 5964 PS/2 keyboard connector to the host terminal, which provides an interface for the wedge controller (MSR, PS/2 Keyboard, Scanner, and Tone Speaker).

### *DVI Cable Connections*

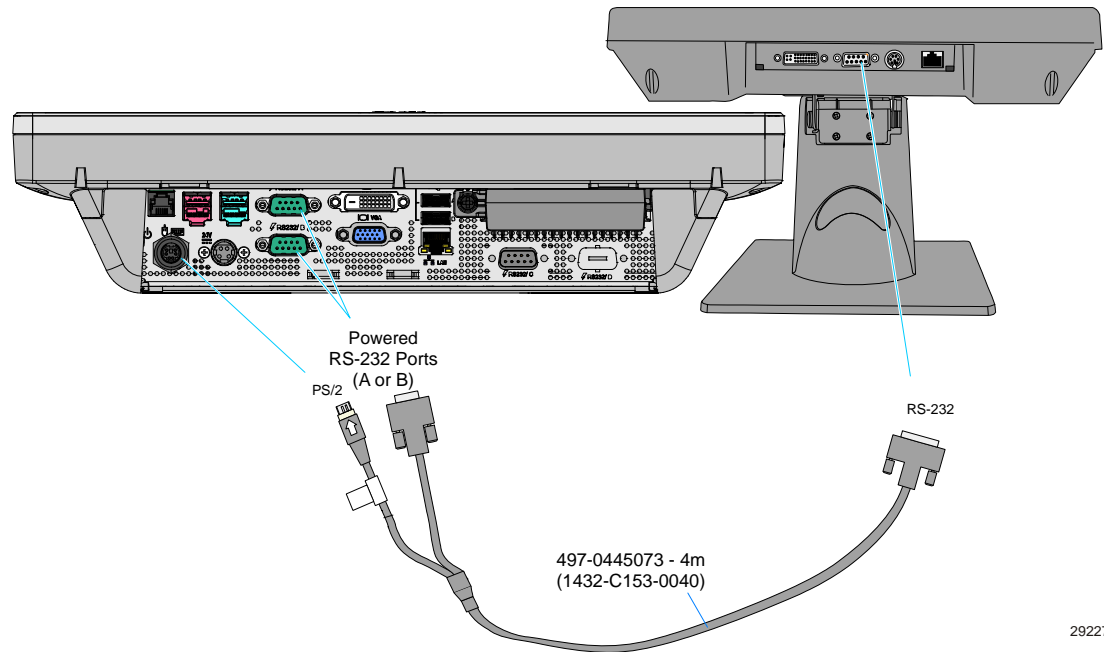
Connect the cable to the *DVI Connectors* on the 5964 LCD and host terminal.





### RS-232 Cable Connections

1. Connect the Y-cable to one of the *Powered RS-232* ports and to the *PS/2* connector on the host terminal.
2. Connect the other end of the Y-Cable to the *RS-232* connector on the 5964 LCD.



29227a

For more information refer to the *NCR 5964 12.1-Inch Touch LCD User's Guide* (B005-0000-1324)

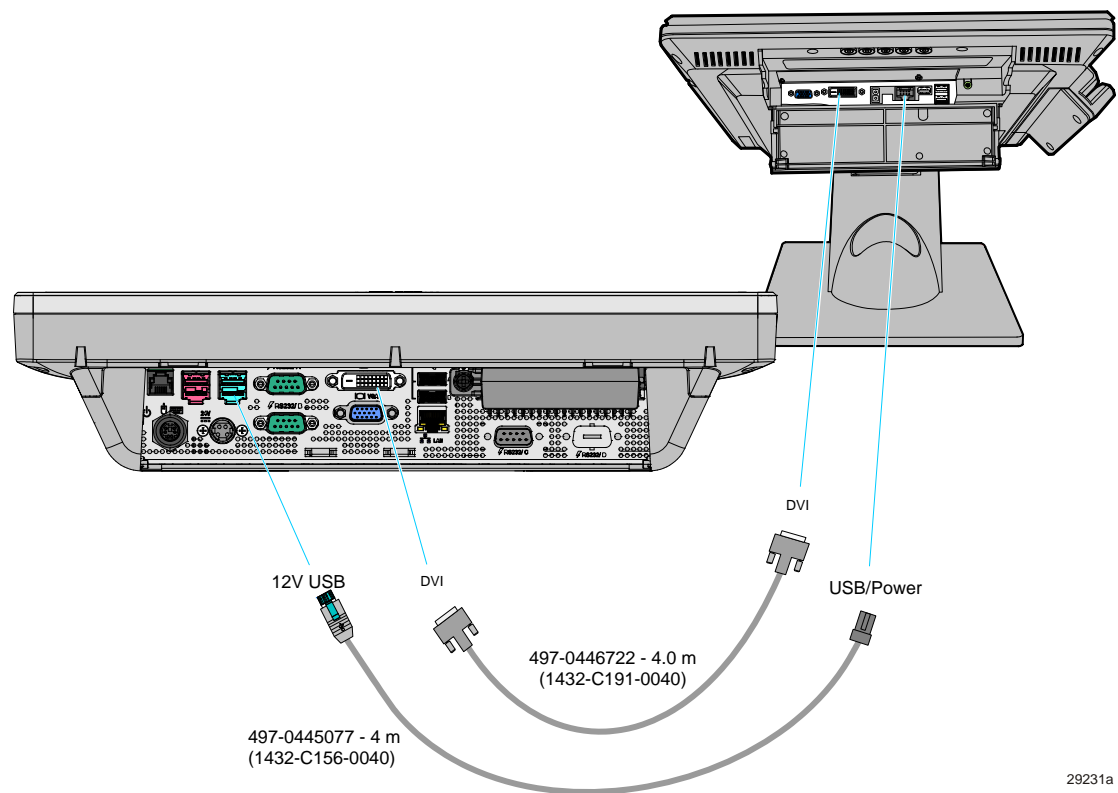
## 5965 15-Inch LCD Cable Connections

There are two cables required:

- VGA or DVI for video
- Powered 12V USB for data and power.

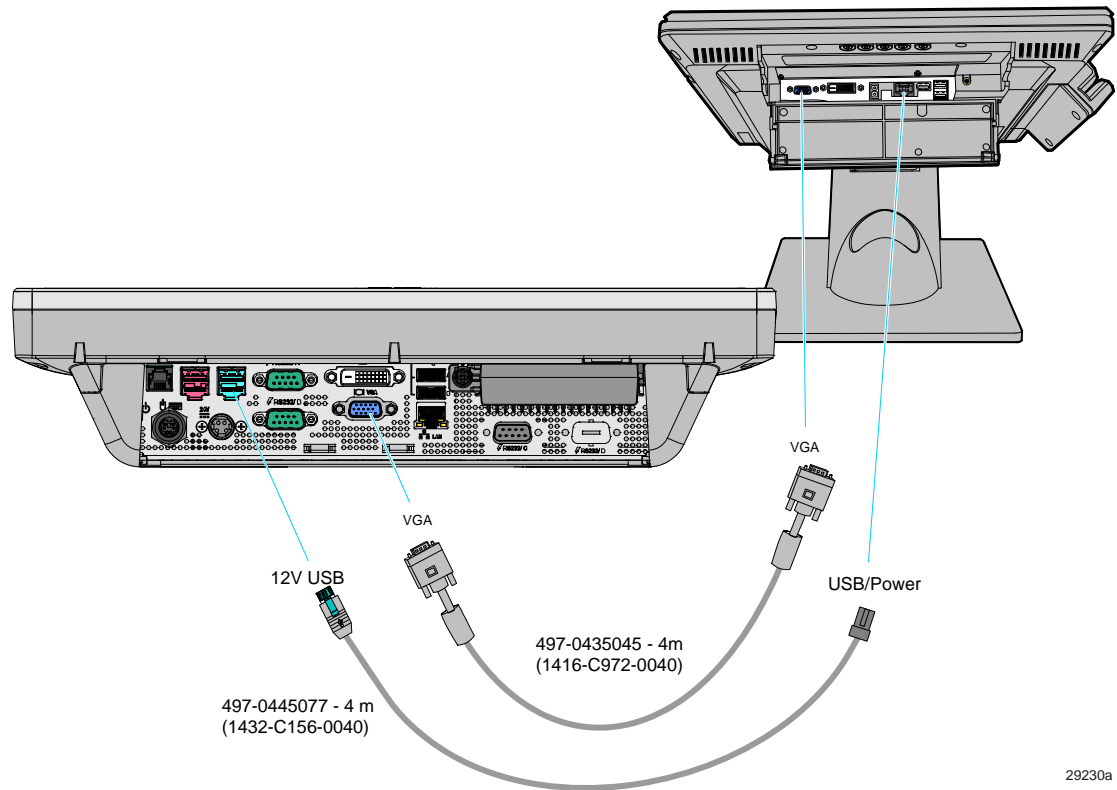
### *DVI/USB Connections*

1. Connect the DVI Cable to the *DVI* connectors on both the 5965 LCD and host terminal.
2. Connect the Powered USB Cable to the 5965 LCD and to the *Powered 12V USB* connector on the host terminal.



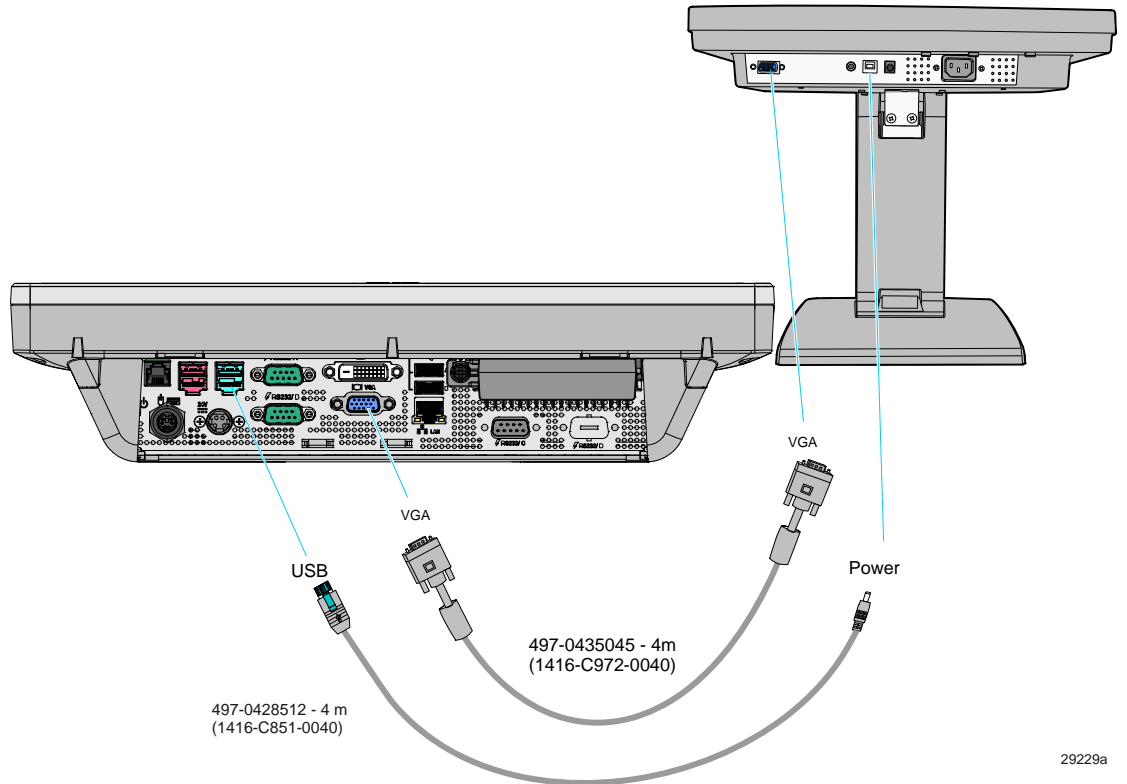
### VGA/USB Connections

1. Connect the VGA Cable to the VGA connectors on both the 5965 LCD and host terminal.
2. Connect the Powered USB Cable to the 5965 LCD and to the *Powered 12V USB* connector on the host terminal.



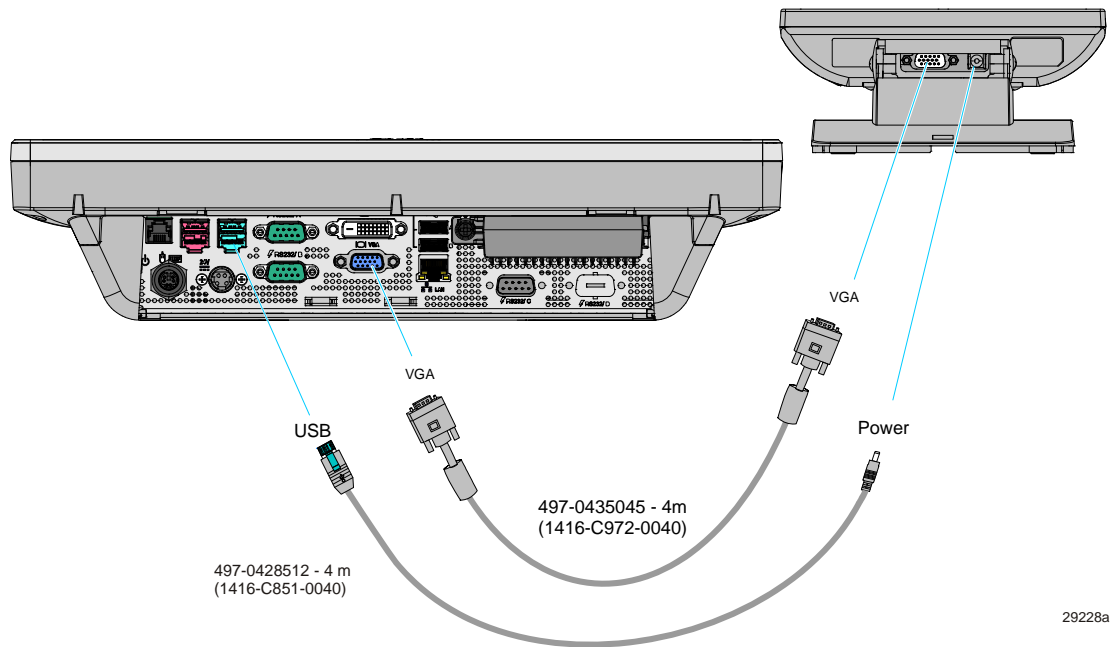
## 5966 15-Inch LCD Cable Connections

1. Connect the VGA Cable to the VGA connectors on both the 5966 Touch LCD and host terminal.
2. Connect the Powered USB Cable to the 5966 and to the *Powered 12V USB* connector on the host terminal.



## 5982 6.5-Inch LCD Cable Connections

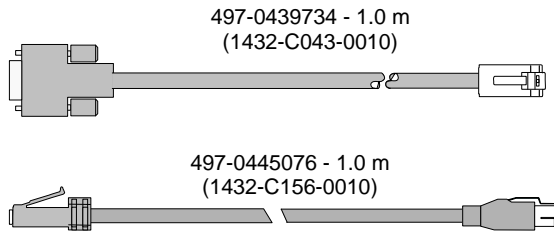
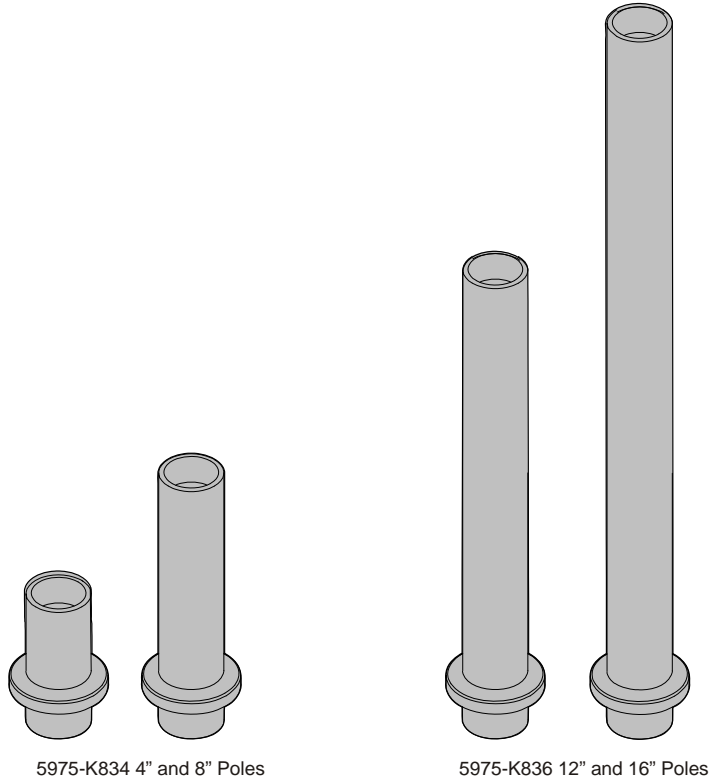
1. Connect the VGA Cable to the VGA connectors on both the 5982 LCD and the host terminal.
2. Connect the Power Cable to the *Powered 12V USB* port on the host terminal.



## 5975 2x20 Customer Display

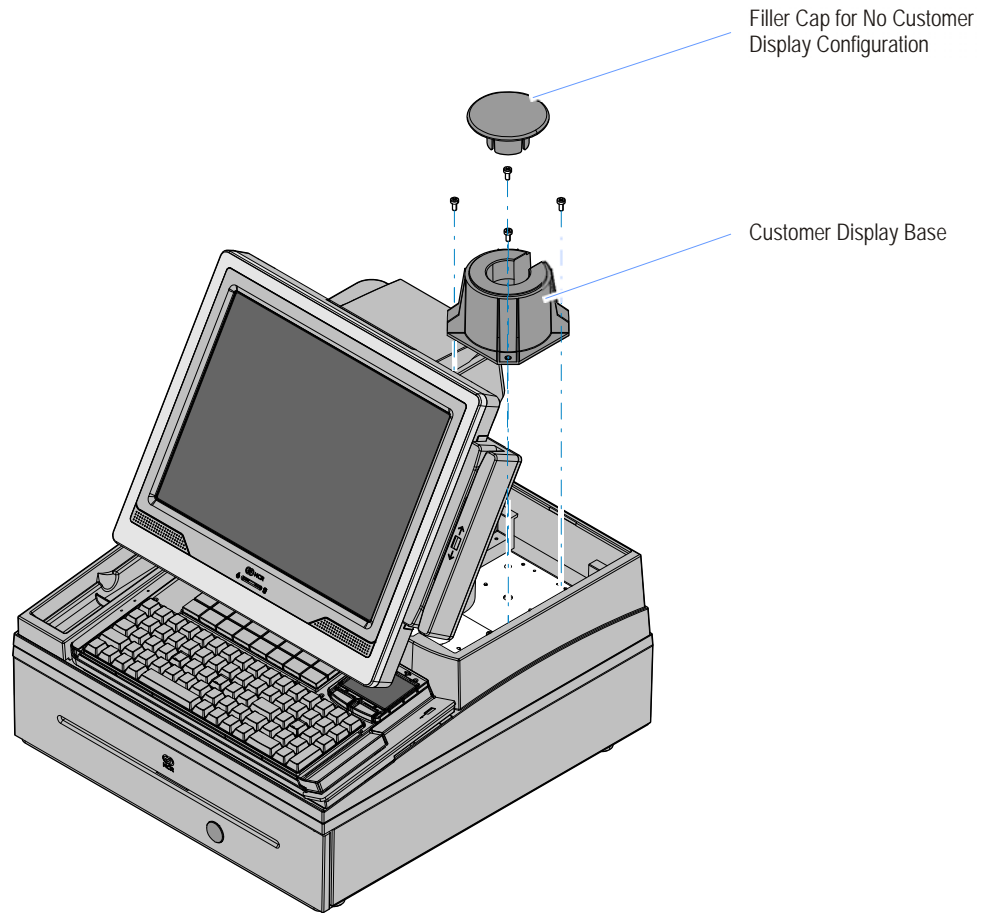
The Display Pole and cable are ordered separately. There are two pole kits available. The display supports either RS232 or USB interfaces.

**Note:** 1m cables provide sufficient length for integrated configurations.



1. Install the Customer Display Base on the Tray Support Bracket (4 screws).

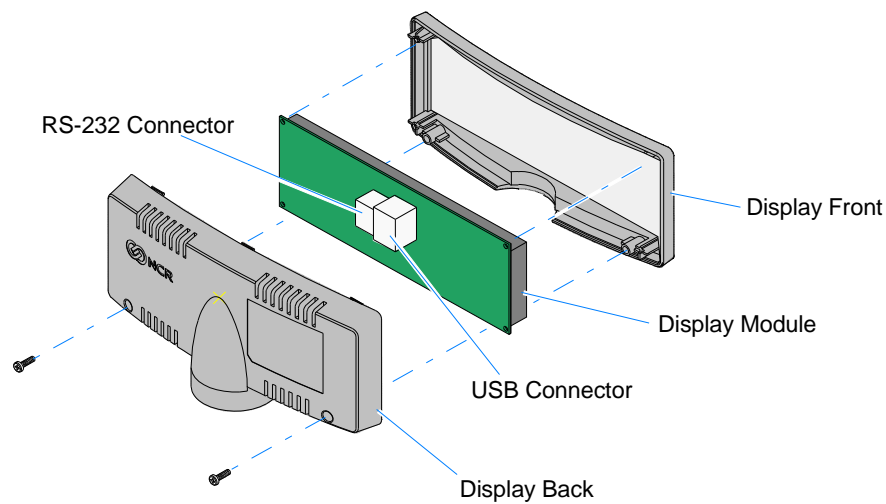
**Note:** A Filler Cap is installed when there is no Customer Display.



2. Connect the Display Cable to the Display Module.

**Note:** The RS-232 or USB cable can be connected to the Display Module **without** disassembling the Display Assembly by extending the end of the cable into the post opening and connecting it to the proper connector, or if you find this difficult you can disassemble the Display Assembly as follows.

- a. Remove the screws (2) from the Display Back.
- b. Remove the Display Back.
- c. Route the Interface Cable through the opening in the Display Back.
- d. Connect the cable to the proper connector on the Display Module.

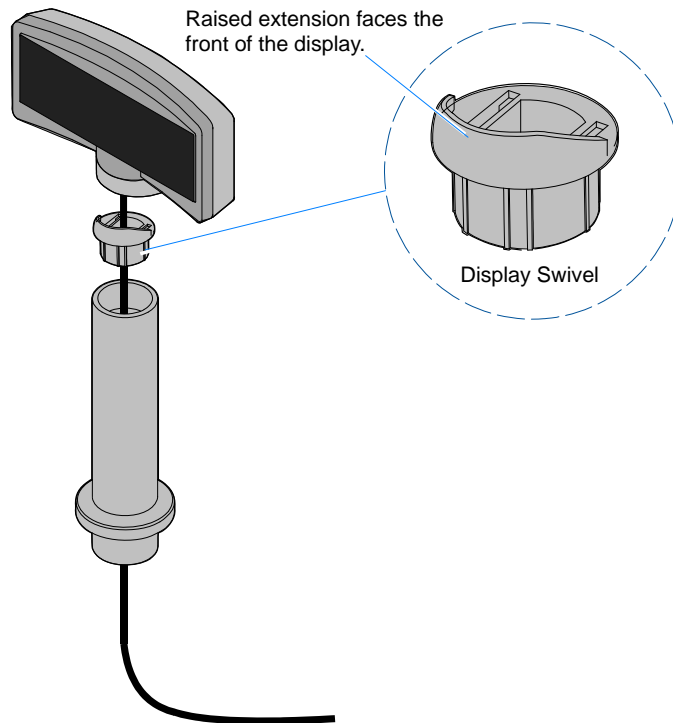


22909

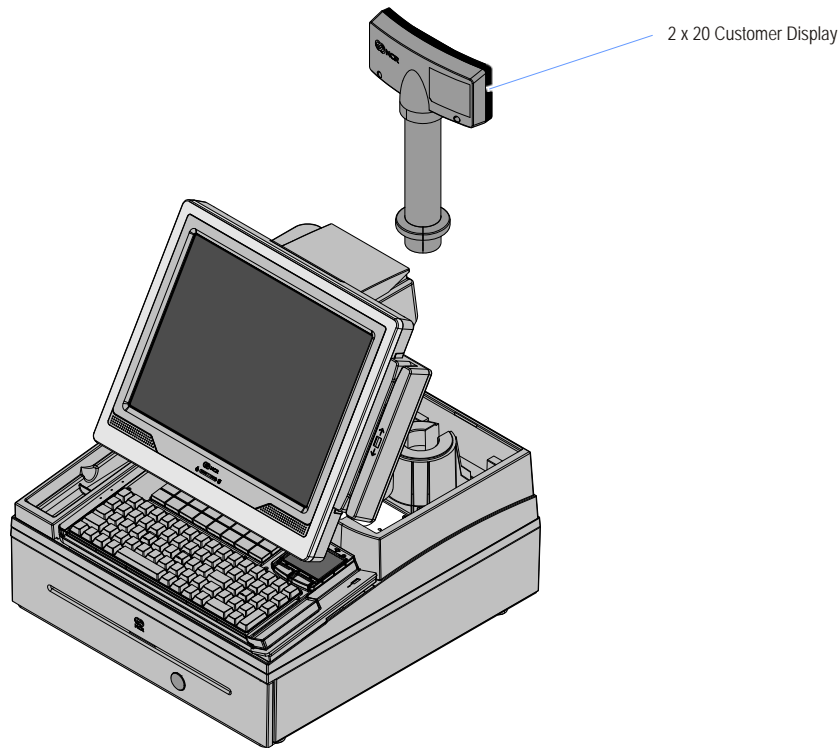
- e. Reassemble the Display Assembly.



3. Route the cable through the Pole.
4. Assemble the components as shown below. Note that the raised extension of the Display Swivel is oriented toward the front of the unit, which permits the Display to be tilted to the rear.



5. Insert the Display Pole into the Customer Display Base.



29206

6. Connect the Display Cable to the terminal.

**Note:** The Display Cable should be routed up through the Display Arm and Tilt Mount to the host terminal.

#### RS-232 Interface (Powered)

Connect the I/F cable to a powered RS-232 connector on the terminal.

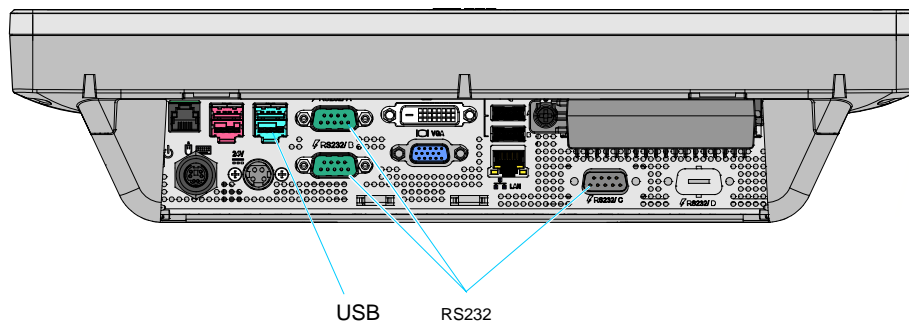
**Note:** The factory default settings for the COM1 and COM2 ports are *powered* by default. To change a port to non-powered see the Circuit Boards chapter in the *Hardware Service Guide*.

Configure the terminal serial port as follows:

9600 baud, 8 data bits, 1 start bit, 1 stop bit, No parity

#### USB Interface (Powered)

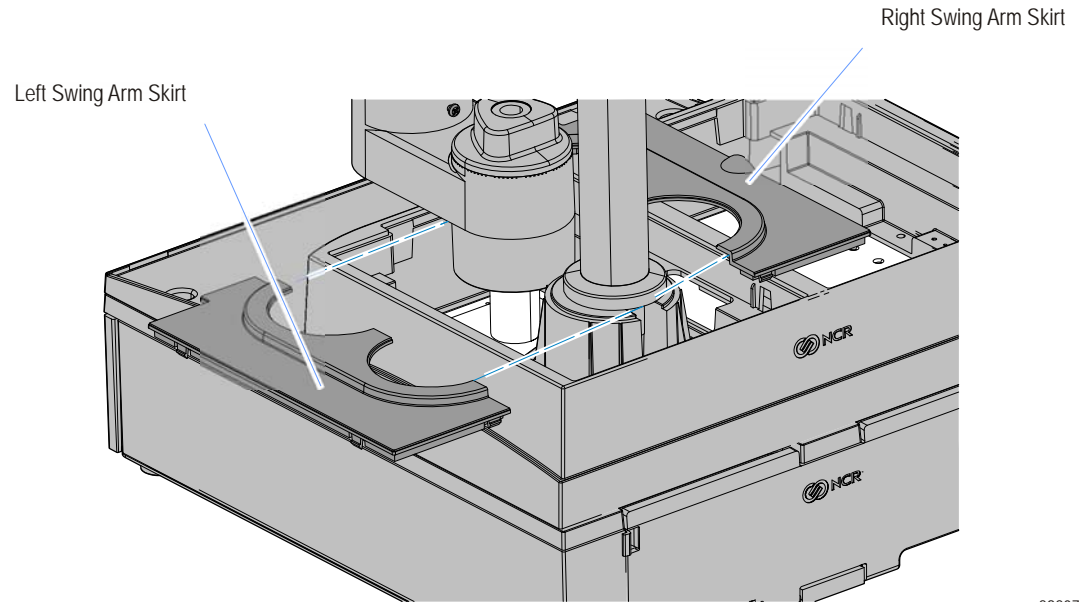
Connect the I/F cable to a powered 12V Powered USB connector on the terminal.



29232

## Installing the Swing Arm Skirts

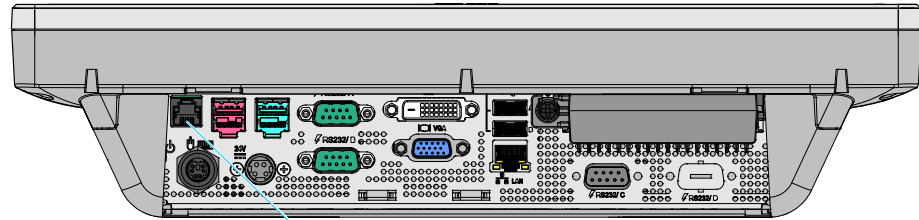
Install the Left Swing Arm Skirt first. Then align the Right Swing Arm Skirt with the Left and snap it into position.



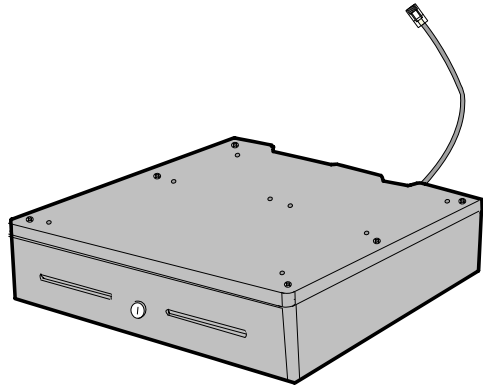
29207

# Cash Drawer Cable Connections

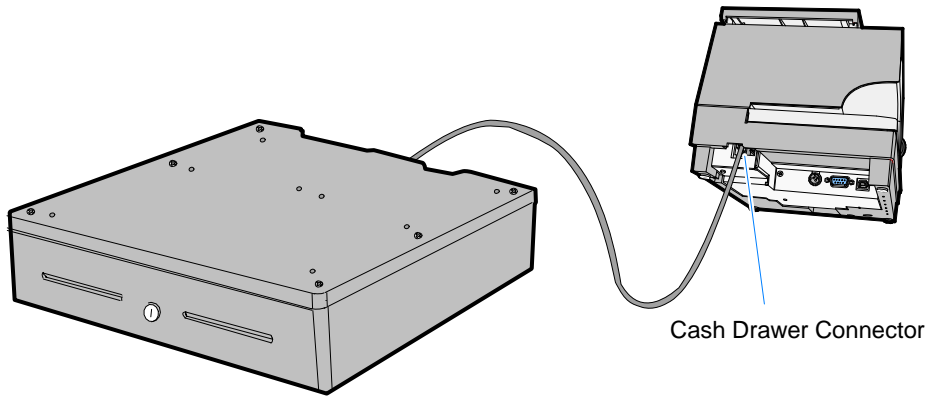
The Cash Drawer can be connected to the Cash Drawer connector or to the transaction printer.



Cash Drawer



29233



Cash Drawer Connector

20440

## Second Cash Drawer Cable Connection

The terminal supports a 2-drawer configuration with a Y-cable (1416-C372-0006). Connect the Y-cable to the terminal or transaction printer cash drawer connector.

