

7610-K320

Table-Top Stand Assembly

Kit Instructions



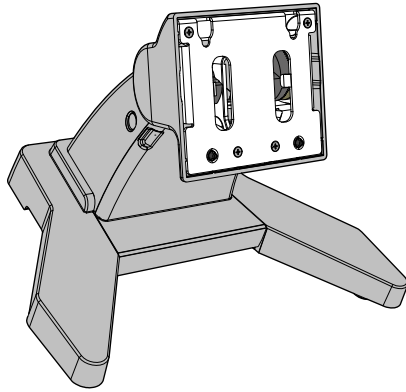
Issue A

Revision Record

Issue	Date	Remarks
A	July 2012	First issue

Introduction

This kit provides a stand to mount the 7610/11 on a table top.



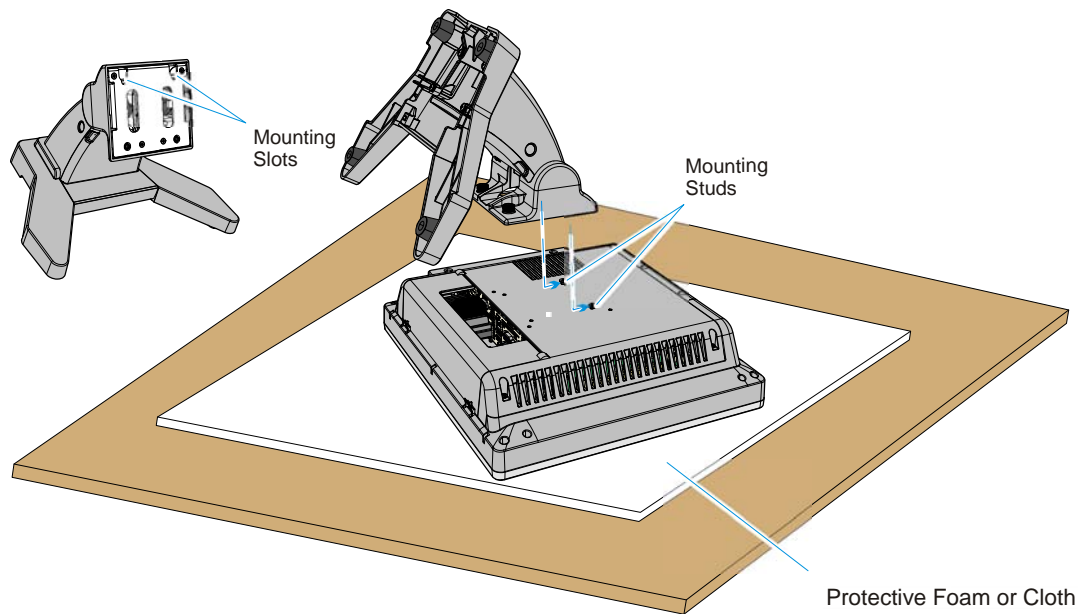
31510

Installation Procedures

1. Lay the terminal face down on a flat surface.

Caution: The front bezel is a painted component and the weight of the terminal can cause abrasions when moved around on a surface. **Always** use a soft material (cloth, foam) to protect the bezel when placing the terminal face down.

2. Slide the Table Top Stand as shown below to engage the slots in stand with the Mounting Studs on the on the back of the terminal.



31509

3. Secure the Table Top Stand with the captive thumbscrews (2).