

7610-K321

Table-Top Stand w/Power Supply Enclosure

Kit Instructions



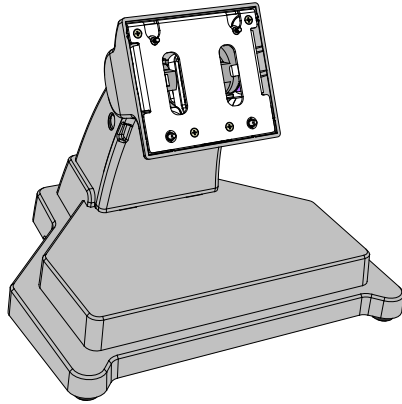
Issue A

Revision Record

Issue	Date	Remarks
A	Nov 2012	First issue

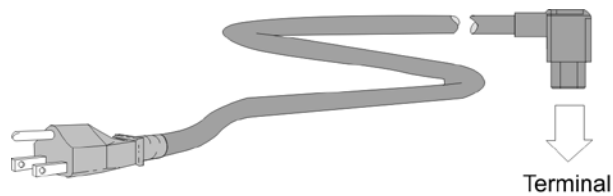
Introduction

This kit provides a stand for mounting the 7610/11 on a table top. The bottom of the stand also provides an enclosure for the terminal power supply.



31804

Note: The 7610-K321 Stand requires a power cable with an angled connector (not included).



1416-C422-0030 - 006-1002021 - U.S.

The following power cables (not shown)
also have an IEC C13 connector:

1416-C411-0030 - 006-1012224 - International

1416-C409-0030 - 230-0113956 - UK Rectangular

1424-C182-0030 - 497-0470227 - Japan

1432-C058-0030 - 006-8608232 - Australia

1432-C281-0030 - 006-8613145 - China

1432-C366-0030 - 006-8615848 - India

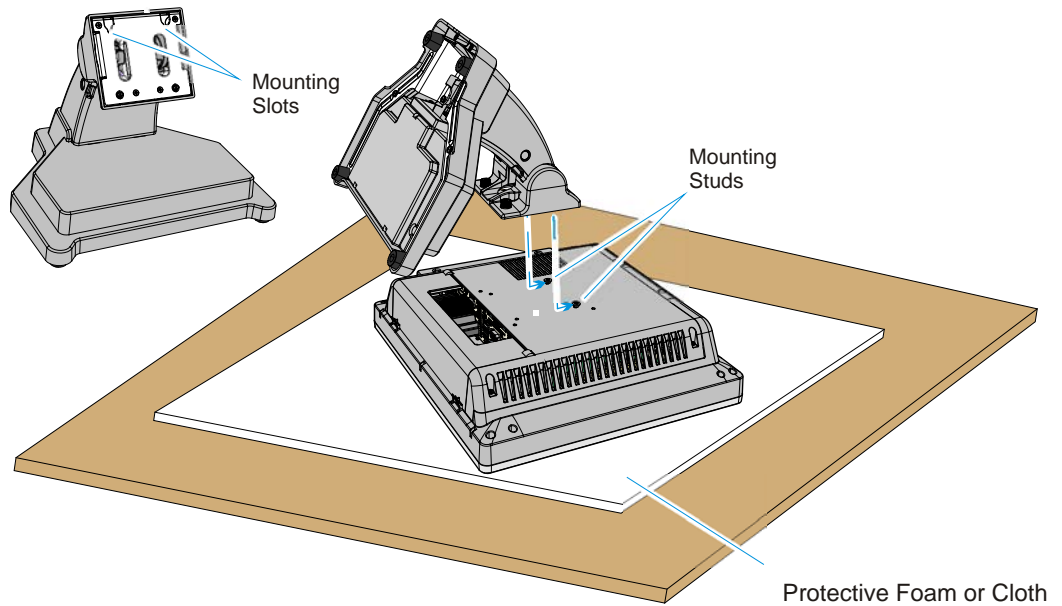
2169C

Installation Procedures

1. Lay the terminal face down on a flat surface.

Caution: The front bezel is a painted component and the weight of the terminal can cause abrasions when moved around on a surface. **Always** use a soft material (cloth, foam) to protect the bezel when placing the terminal face down.

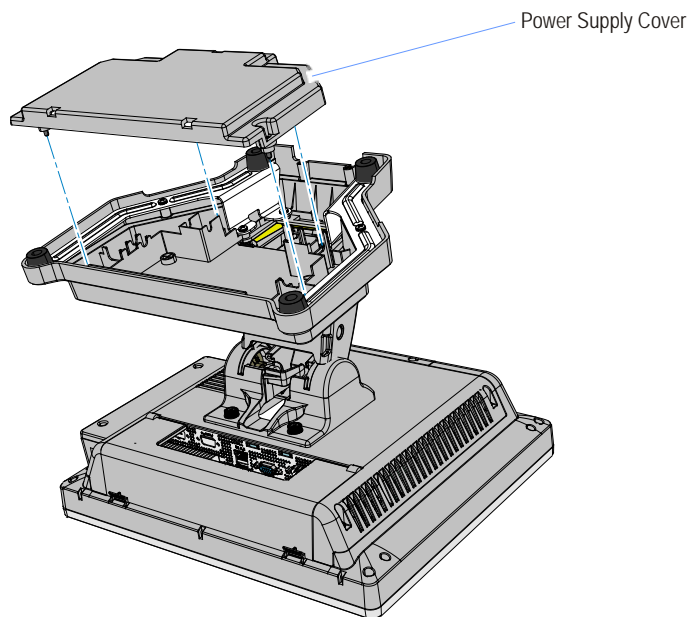
2. Align the Mounting Slots on the Table Top Stand with the Mounting Studs on the back of the terminal and slide the stand as shown to engage the studs.



31801

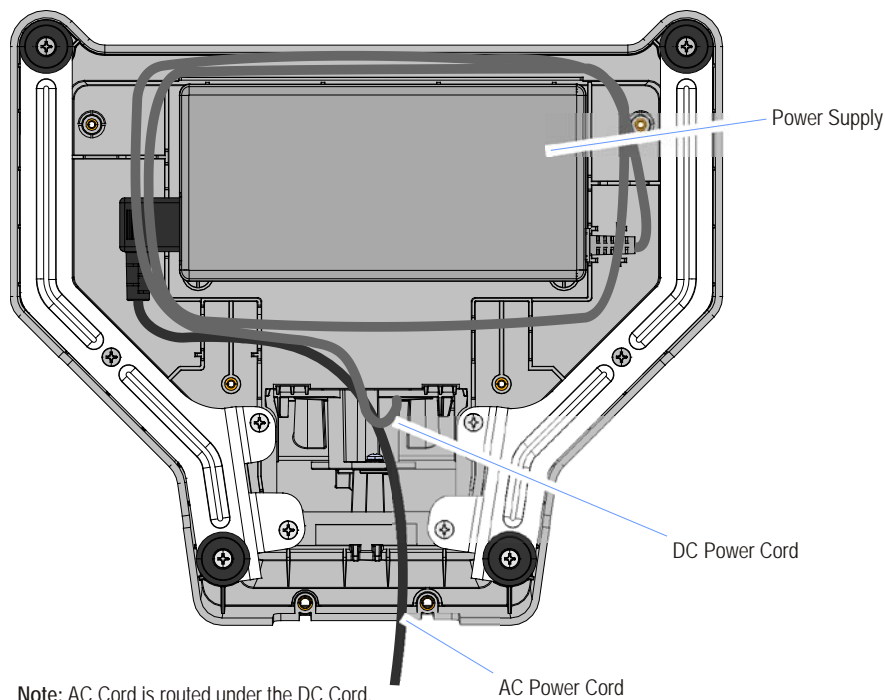
3. Secure the Table Top Stand with the captive thumbscrews (2).

4. Remove the Power Supply Cover (4 captive screws).



31802

5. Connect the AC Power Cord to the Power Supply and then place the Power Supply in the bottom of the stand.
6. Route the AC Power Cord through the Cable Guide and out the opening in the rear of the stand.
7. Route the Power Supply DC Cord around the Power Supply, following the Cable Guides and then through the opening to the terminal.



Note: AC Cord is routed under the DC Cord.

31803

8. Replace the Power Supply Cover (4 captive screws). Make sure the screw holes are not obstructed by the power cords before installing the cover.