

7610-K451-K461-K462

Integrated 2x20 Customer Display

Kit Instructions



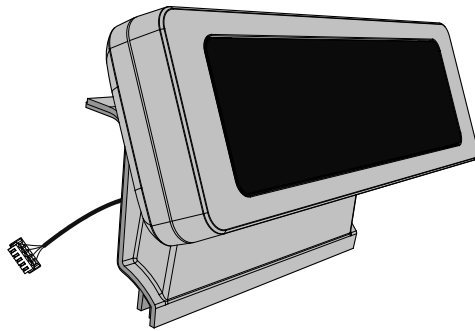
Issue B

Revision Record

Issue	Date	Remarks
A	Feb 2011	First issue
B	Dec 2014	Added 7610-K461 and K462

Introduction

This kit provides one RS-232 connector and cable and one PS/2 connector and cable. The RS-232 connector may be configured if 7610-K451 (2x20 VFD display) is not present. RS-232 (DB9) connector is installed in RS-232 punch-out on connector row. PS/2 connector is installed in PS/2 punch-out on connector row.



29404

There are three variations of this kit.

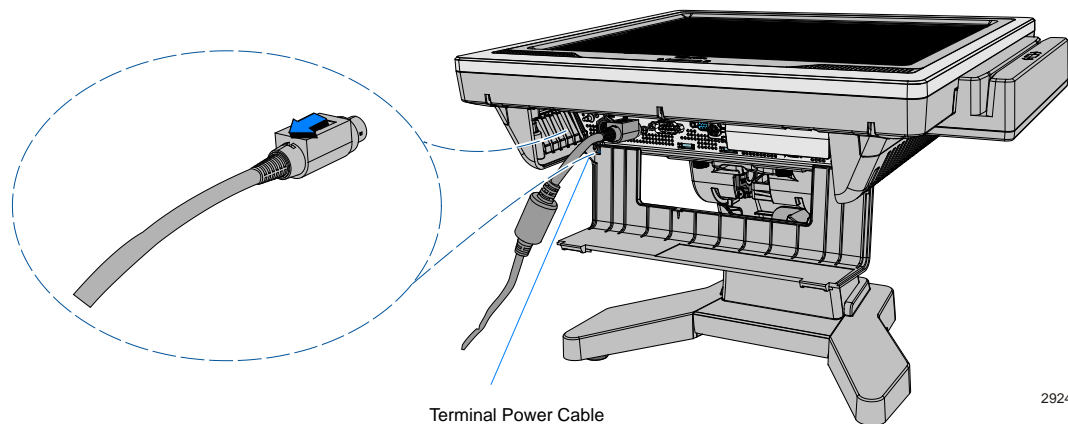
- 7610-K451 (Silver Bezel)
- 7610-K461 (Charcoal Bezel)
- 7610-K462 (Charcoal Bezel, CP852 Character Set)

Installation Procedures

Warning: Disconnect the power before disassembling the Terminal.

1. Disconnect the Power Cable.

The Power Cable connector *locks* into position when connected to the terminal and cannot be removed by simply pulling on the cable. You must grasp the connector and slide the outside housing out from the terminal to *unlock* it from the terminal connector to remove it.

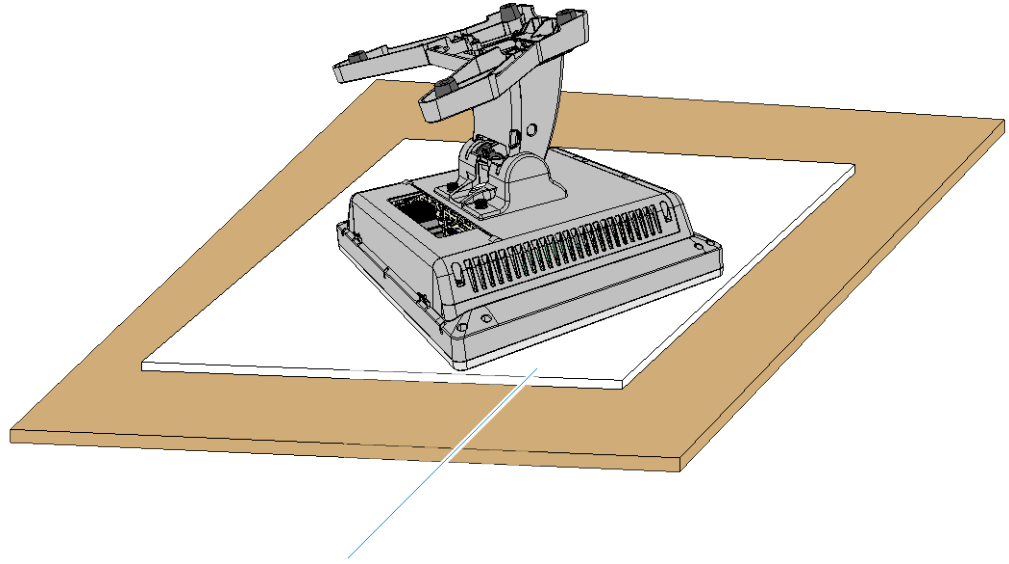


29249

2. Remove the Table Top Stand.
 - a. Lay the terminal face down on a flat surface.

Caution: The front bezel is a painted component and the weight of the terminal can cause abrasions when moved around on a surface. **Always** use a soft material (cloth, foam) to protect the bezel when placing the terminal face down.

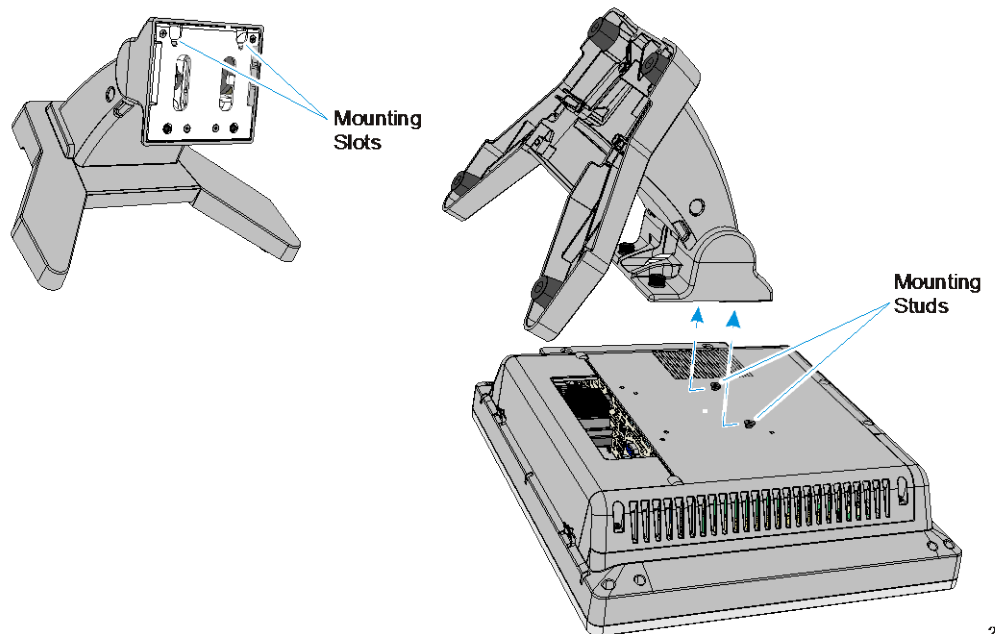
- b. Loosen the captive thumbscrews (2) that secure the Table Top Stand.



Protective Foam or Cloth

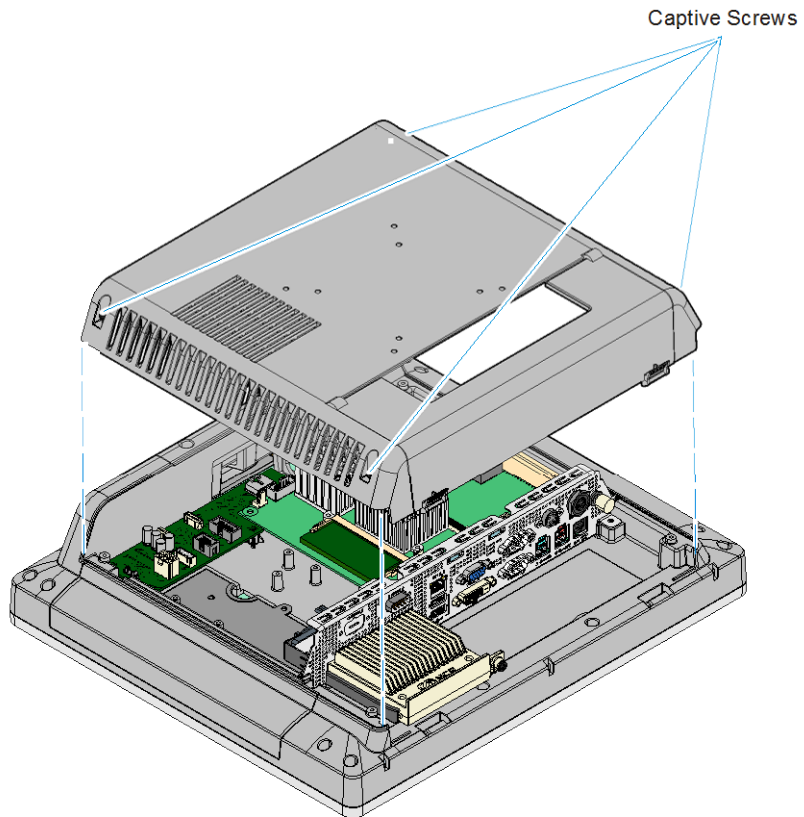
29241a

- c. Slide the Table Top Stand as shown to disengage the slots in the Table Top Stand from the Mounting Studs on the back of the terminal.



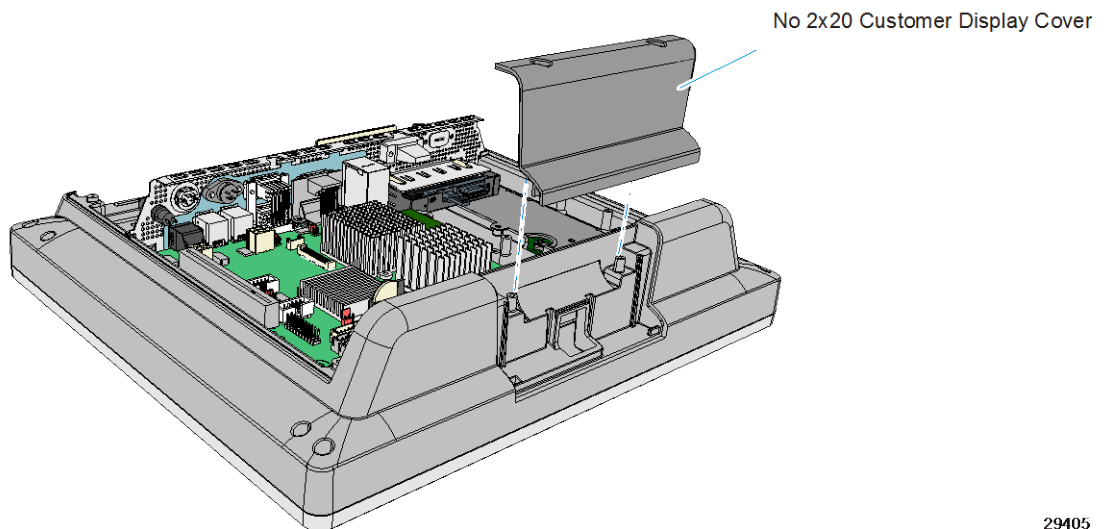
29239a

3. Remove the Rear Cover (loosen the captive screws (4) that secure it to the chassis.)



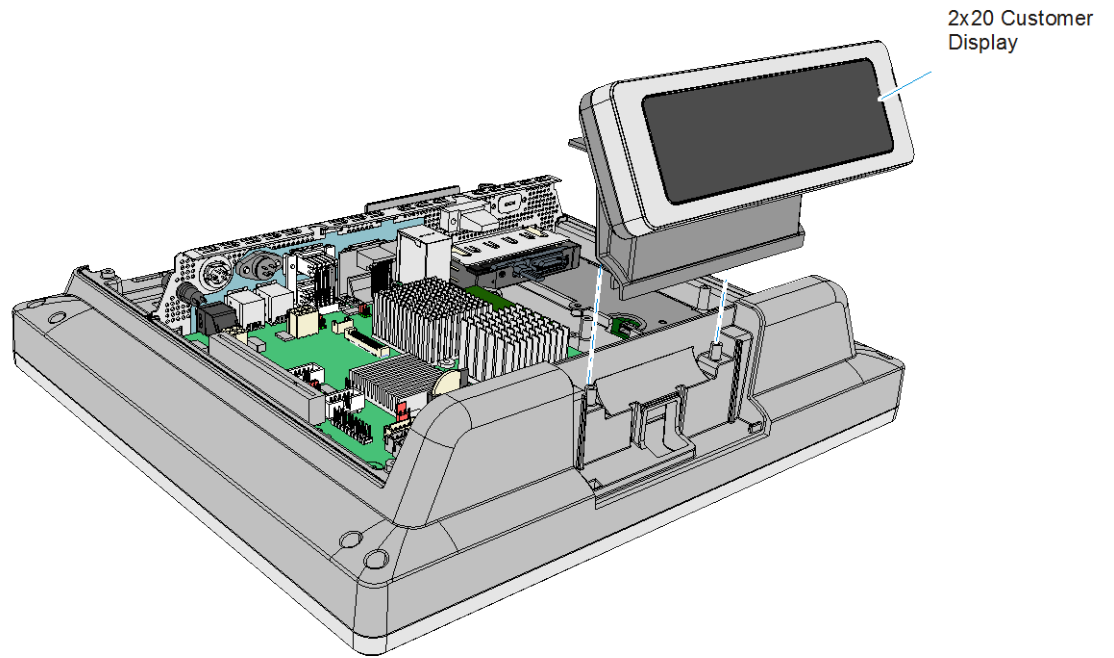
29287

4. Remove the No 2x20 Customer Display Cover (2 screws).



29405

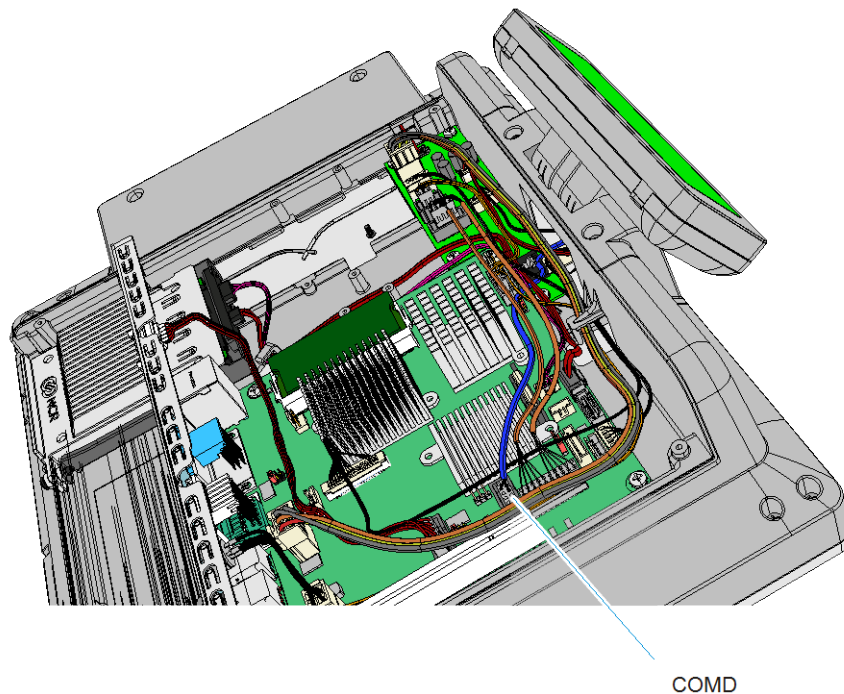
5. Install the 2x20 Customer Display Cover (2 captive screws).



29406

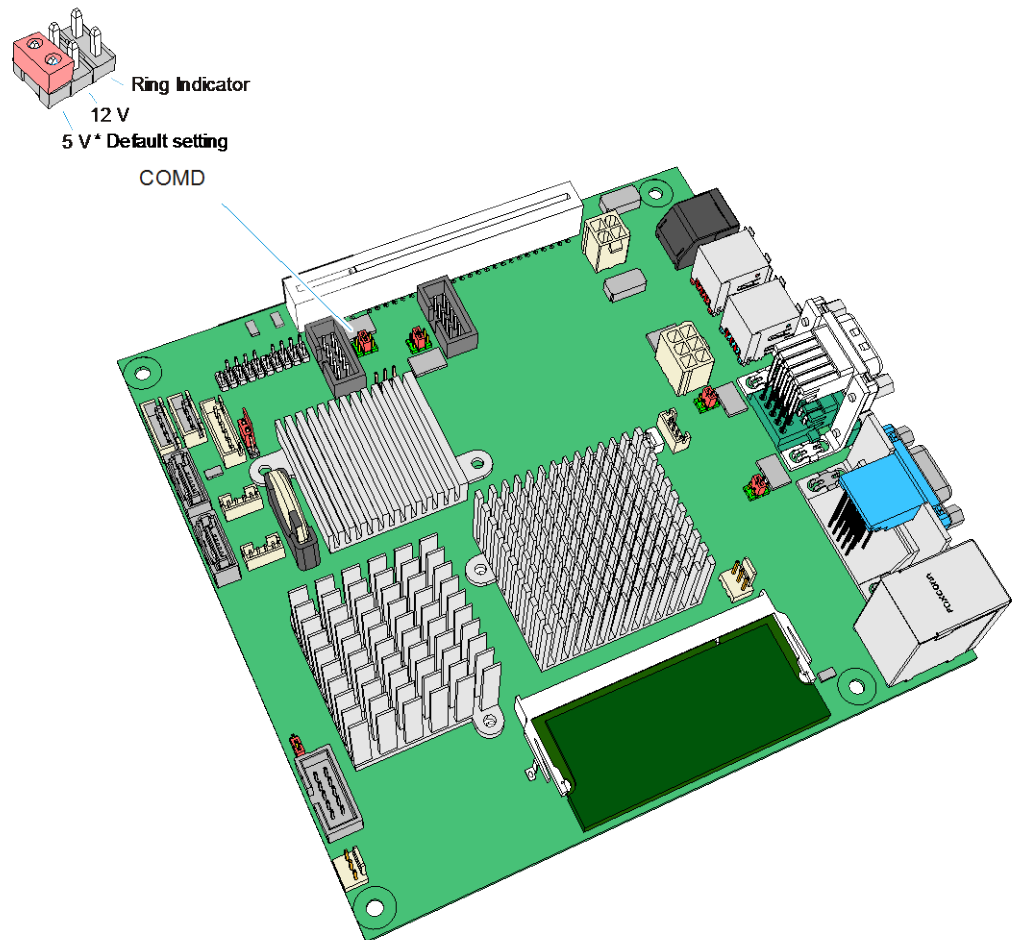
6. Connect the 2x20 Customer Display Cable to the Motherboard (COMD).

Note: Carefully and slightly push down on the ribbon cable to provide sufficient space to route the connector thru the opening.



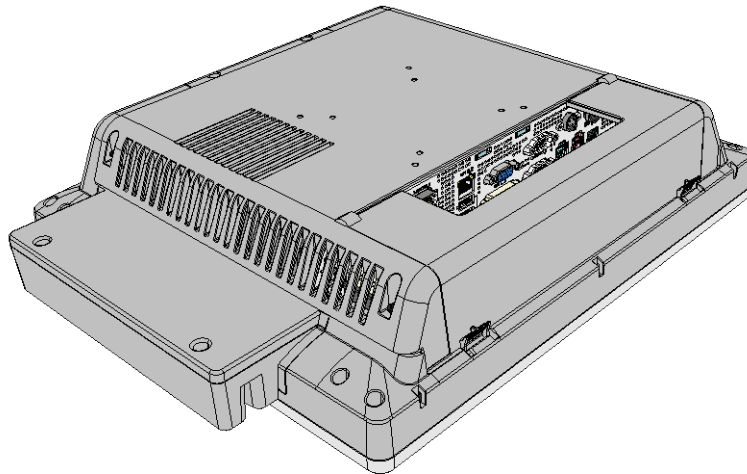
29407a

7. Set the COMD jumper to 5 V powered.



29420a

8. Replace the Rear Cover (4 captive screws).



29292

9. Replace the Display Head on the Table Top Stand.