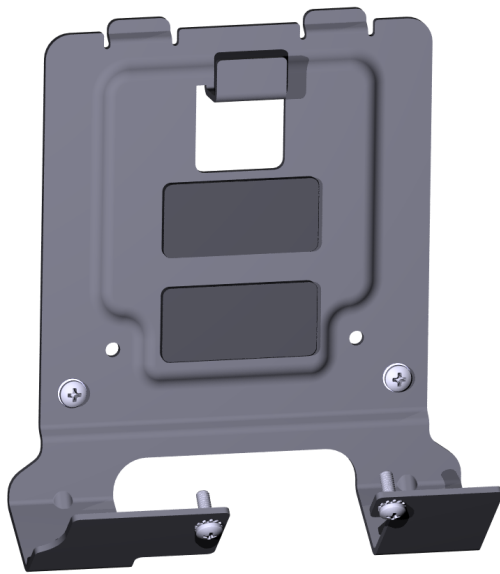


Kit Instructions

Integration Bracket, 10.1" or 10.4" Display to XR3



7613-K470
Issue A



The product described in this document is a licensed product of NCR Corporation.

NCR is a registered trademark of NCR Corporation. NCR RealPOS is a trademark of NCR Corporation in the United States and/or other countries. Other product names mentioned in this publication may be trademarks or registered trademarks of their respective companies and are hereby acknowledged.

The terms HDMI and HDMI High-Definition Multimedia Interface, and the HDMI Logo are trademarks or registered trademarks of HDMI Licensing LLC in the United States and other countries.

Where creation of derivative works, modifications or copies of this NCR copyrighted documentation is permitted under the terms and conditions of an agreement you have with NCR, NCR's copyright notice must be included.

It is the policy of NCR Corporation (NCR) to improve products as new technology, components, software, and firmware become available. NCR, therefore, reserves the right to change specifications without prior notice.

All features, functions, and operations described herein may not be marketed by NCR in all parts of the world. In some instances, photographs are of equipment prototypes. Therefore, before using this document, consult with your NCR representative or NCR office for information that is applicable and current.

To maintain the quality of our publications, we need your comments on the accuracy, clarity, organization, and value of this book. Please use the link below to send your comments.

Email: FD230036@ncr.com

Copyright © 2017
By NCR Corporation
Duluth, GA U.S.A.
All Rights Reserved

Revision Record

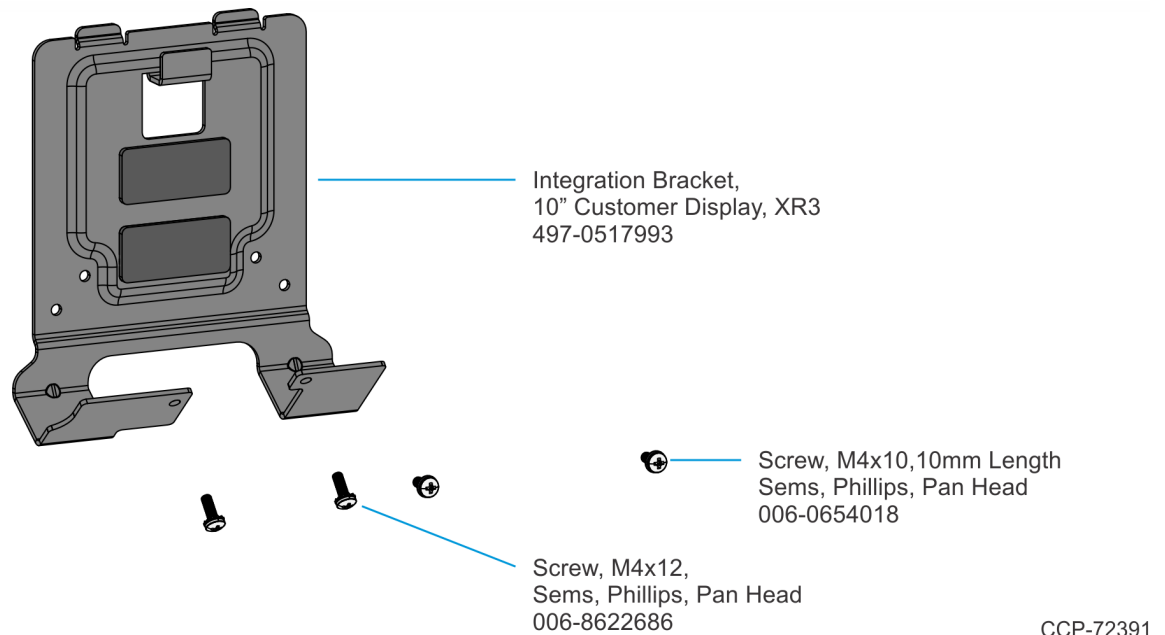
Issue	Date	Remarks
A	Nov 2017	First Issue

Integration Bracket, 10.1" or 10.4" Display to XR3

This kit provides a bracket to mount any of the following displays to the NCR RealPOS XR3 (7613) neck as a customer display:

- NCR XL10 Display (5910)
- 10.4" X-Series Display (5968/5985)

Kit Contents



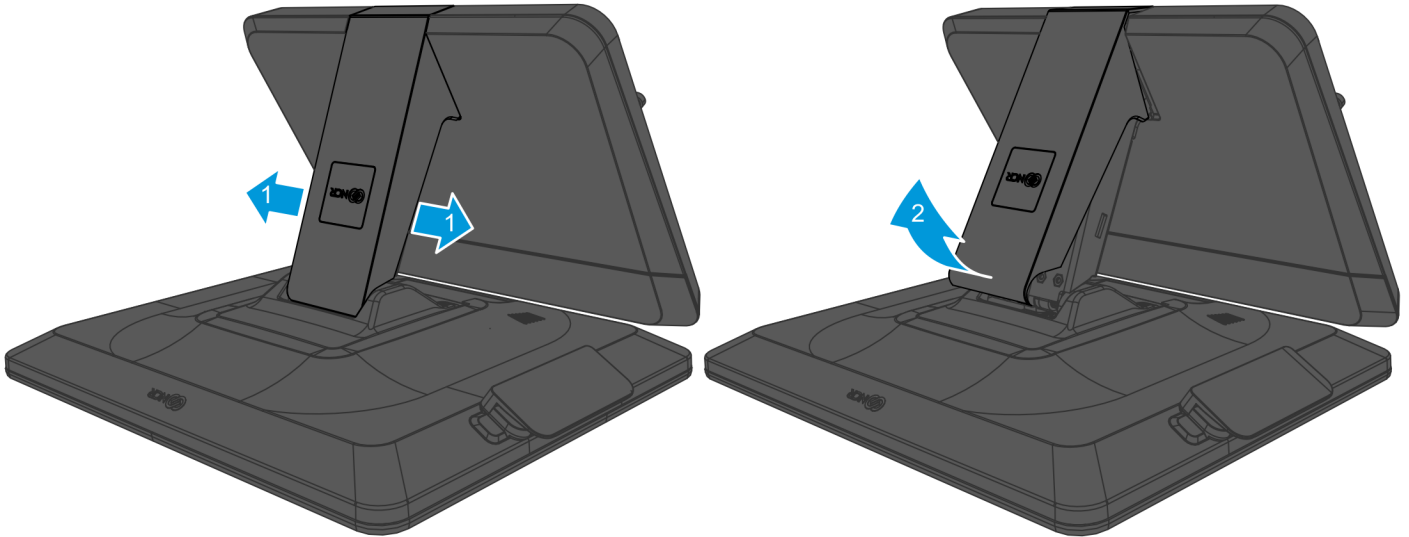
Installation Procedure

1. Lay the terminal face down on a flat surface.



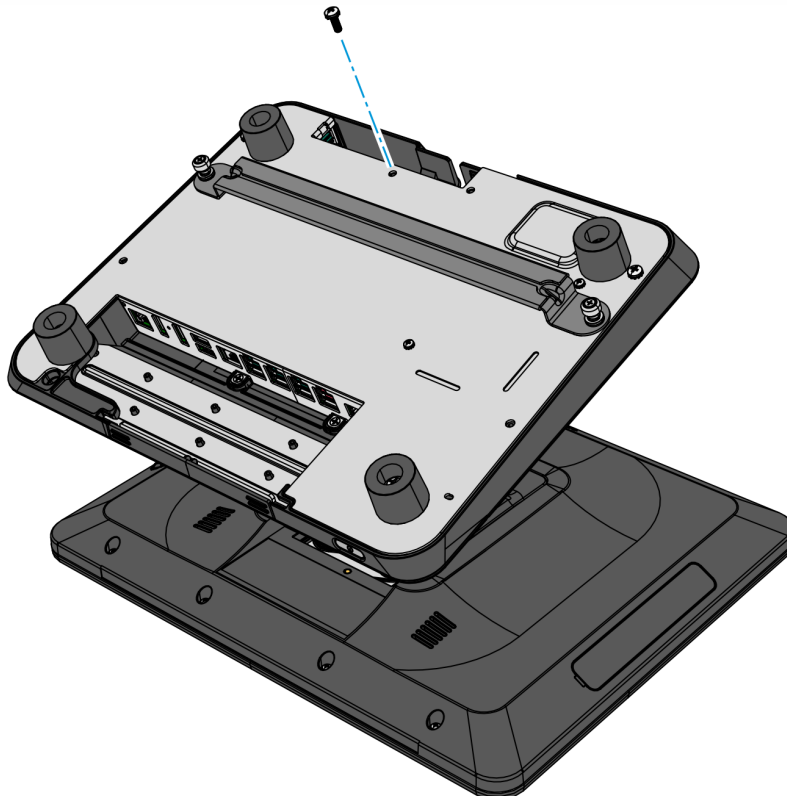
Caution: Always use a soft material (cloth, foam) to protect the display screen when placing the terminal face down.

2. Remove the Neck Cover. Release the snaps on both sides and rotate upward.



CCP-72399

3. Remove one (1) screw from the bottom of Base of the terminal.



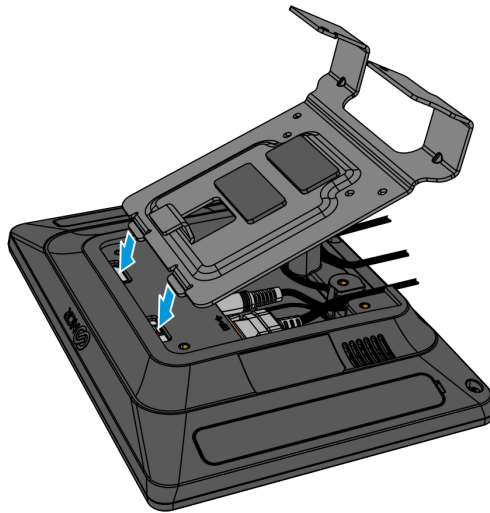
CCP-72397

4. Install the Bracket on the back of the 10" Display.



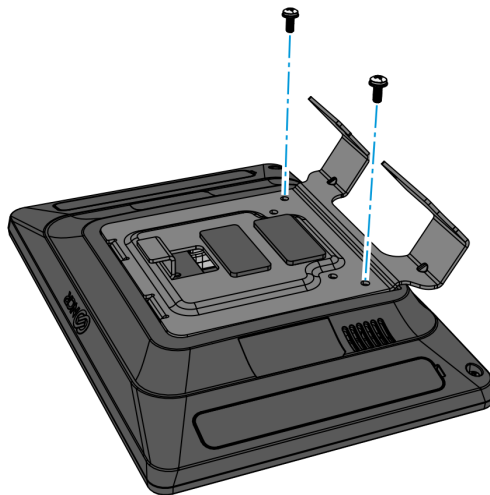
Note: For NCR XL10 (5910) Display, connect the display cables before installing the bracket. For more information, refer to [NCR XL10 \(5910\) Cable Routing](#) on page 7.

- a. Insert the Bracket tabs (2) into the openings on the back of the display.



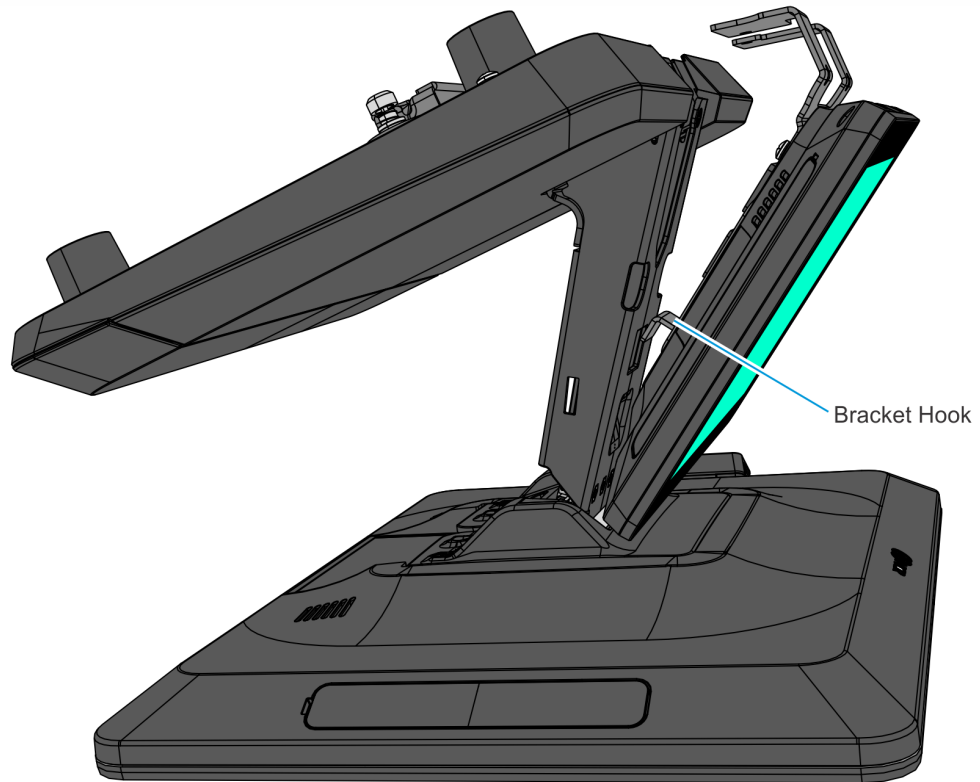
CCP-72392

- b. Secure the Bracket on the back of the Display with two (2) screws (006-0654018).

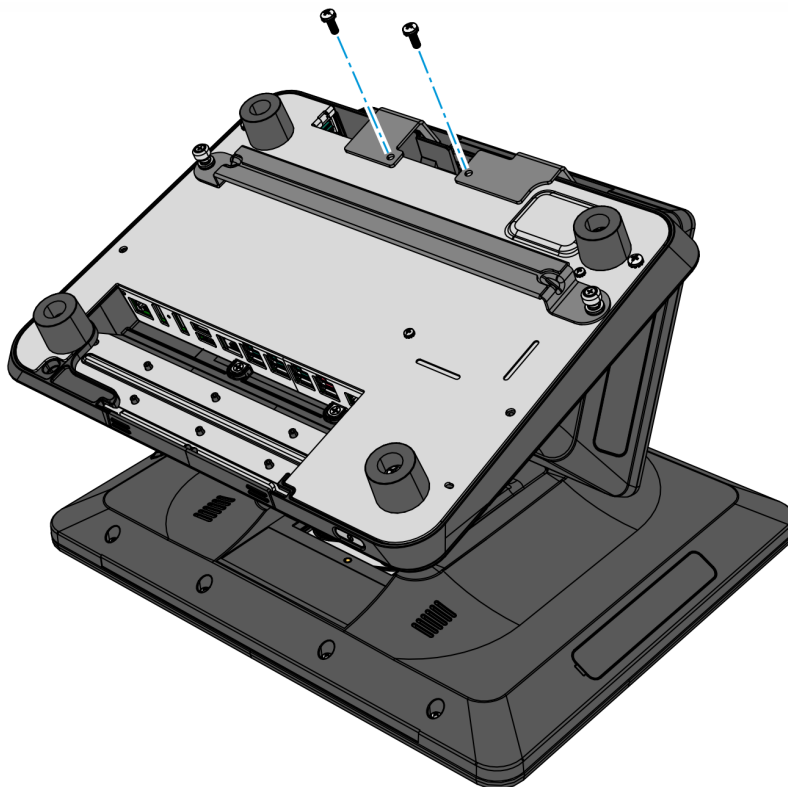


CCP-72393

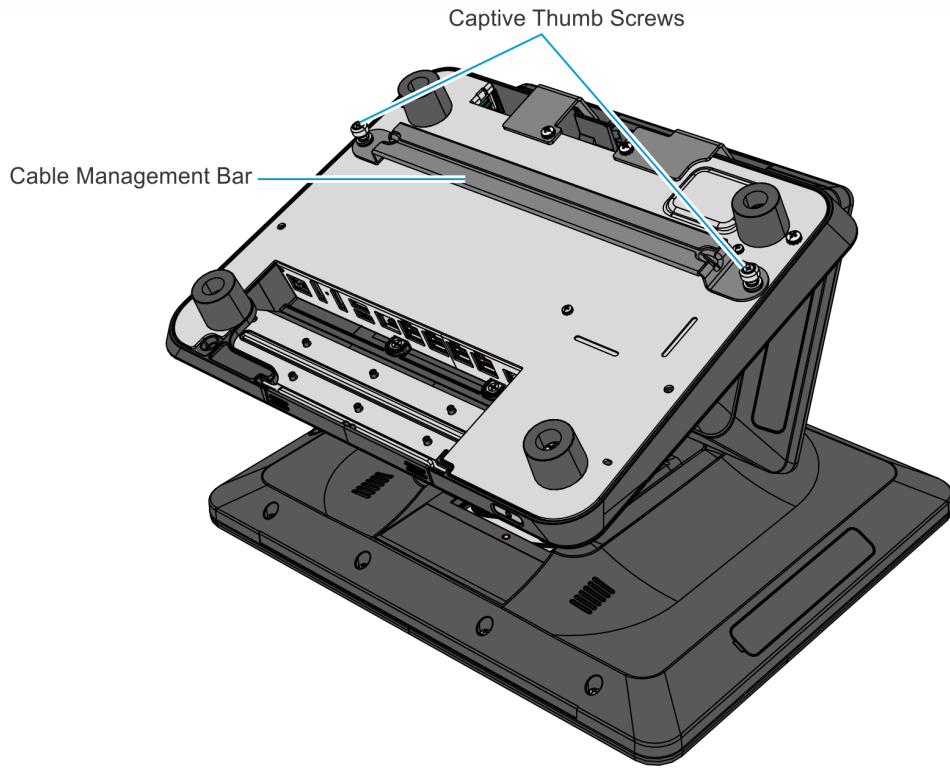
5. Hook the Bracket on the neck of the Stand.



6. Pivot the assembly into position and secure it to the bottom of the Stand with two (2) screws (006-8622686).



7. If a Cable Management Bar is present, loosen the thumb screws (2) and remove the Bar.

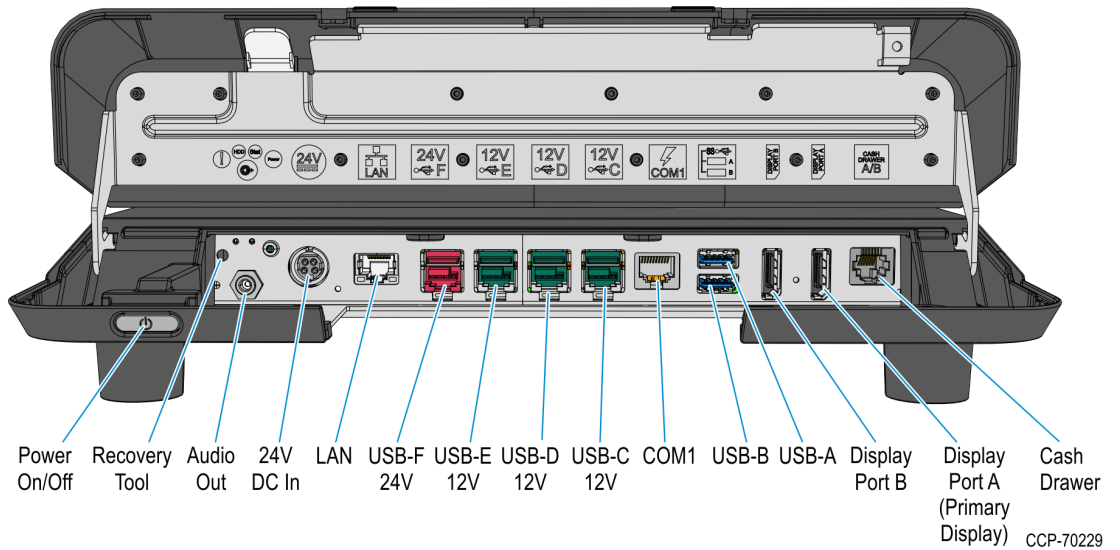


CCP-72396

8. Route and connect the cables to the host terminal.

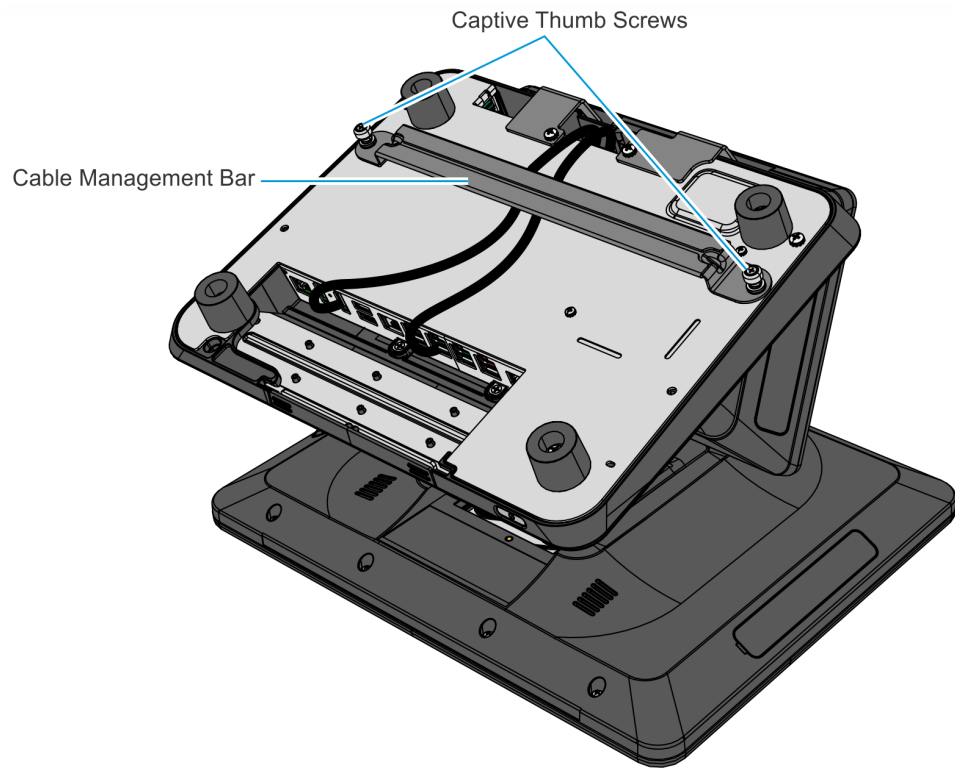


Note: For 5968/8985 X-Series Display, connect the cables to the display and the host terminal.



CCP-70229

9. If a Cable Management Bar is present, reinstall the Cable Management Bar with thumb screws (2).



CCP-72398

NCR XL10 (5910) Cable Routing

Connect the Display cables and route them according to the imprinted routing guide.

Display Port Model

1. Connect and route the Audio Cable first. Route the cable looping around the cable strain relief posts as shown.
2. Connect the Display Power Cable and route straight down over the Audio Cable.
3. Connect the Display Port Cable and route straight down over the Audio Cable.

