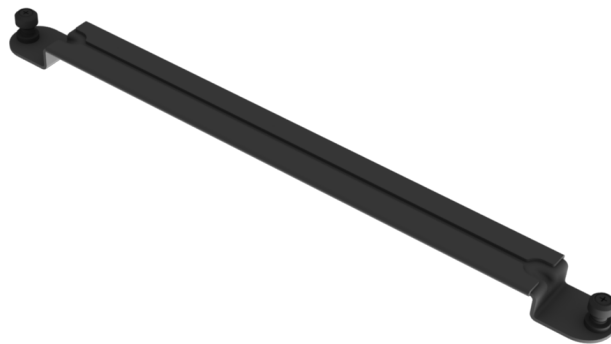


KIT INSTRUCTIONS

Base Cable Management Bar



7613-K500
Issue A



The product described in this document is a licensed product of NCR Corporation.

NCR is a registered trademark of NCR Corporation. NCR RealPOS is a trademark of NCR Corporation in the United States and/or other countries. Other product names mentioned in this publication may be trademarks or registered trademarks of their respective companies and are hereby acknowledged.

The terms HDMI and HDMI High-Definition Multimedia Interface, and the HDMI Logo are trademarks or registered trademarks of HDMI Licensing LLC in the United States and other countries.

Where creation of derivative works, modifications or copies of this NCR copyrighted documentation is permitted under the terms and conditions of an agreement you have with NCR, NCR's copyright notice must be included.

It is the policy of NCR Corporation (NCR) to improve products as new technology, components, software, and firmware become available. NCR, therefore, reserves the right to change specifications without prior notice.

All features, functions, and operations described herein may not be marketed by NCR in all parts of the world. In some instances, photographs are of equipment prototypes. Therefore, before using this document, consult with your NCR representative or NCR office for information that is applicable and current.

To maintain the quality of our publications, we need your comments on the accuracy, clarity, organization, and value of this book. Please use the link below to send your comments.

EMail: FD230036@ncr.com

Copyright © 2017
By NCR Corporation
Duluth, GA U.S.A.
All Rights Reserved

Revision Record

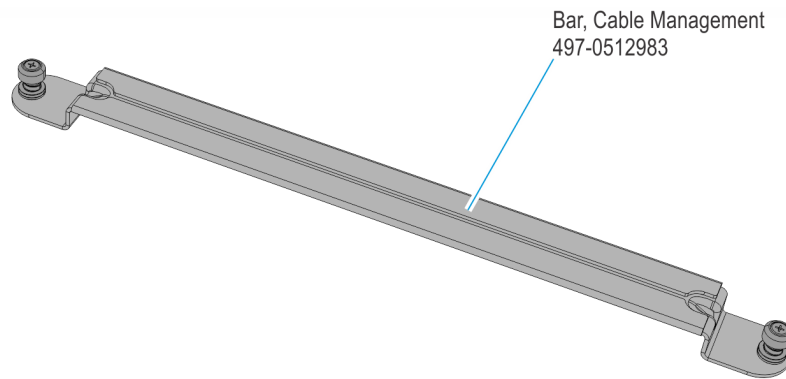
Issue	Date	Remarks
A	Feb 2017	First Issue

Base Cable Management Bar

Introduction

This kit provides a cable management bar for the RealPOS XR3 and RealPOS XR4.

Kit Content



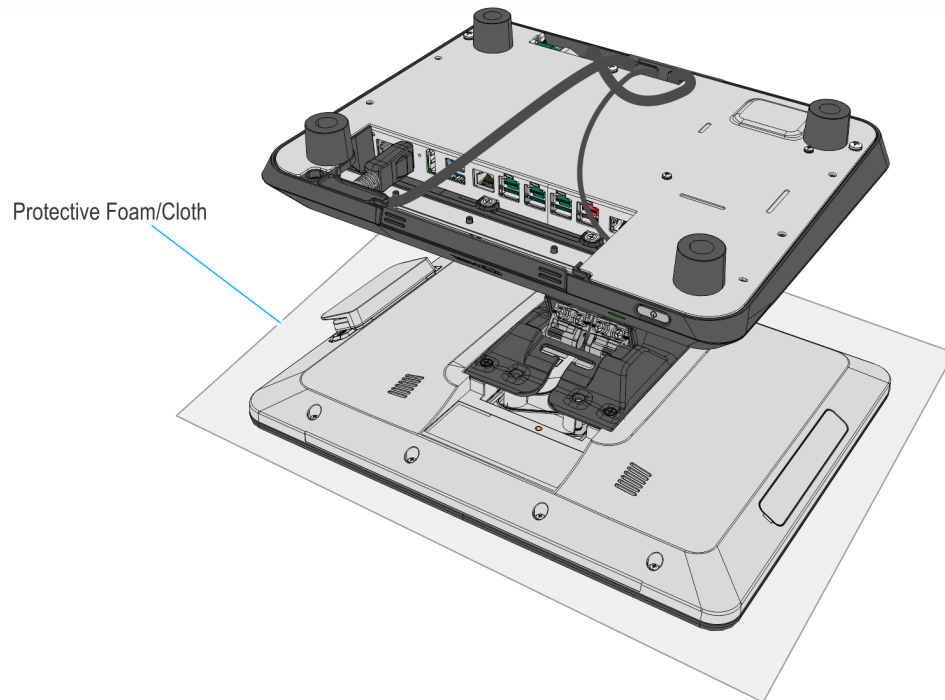
70575

RealPOS XR3 Installation Procedure

1. Lay the terminal face down on a flat surface.

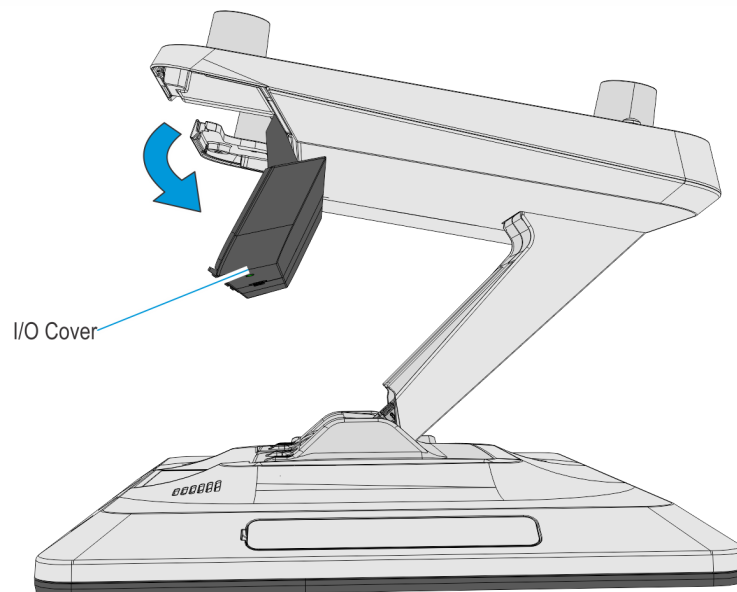


Caution: Always use a soft material (cloth, foam) to protect the display screen when placing the terminal face down.



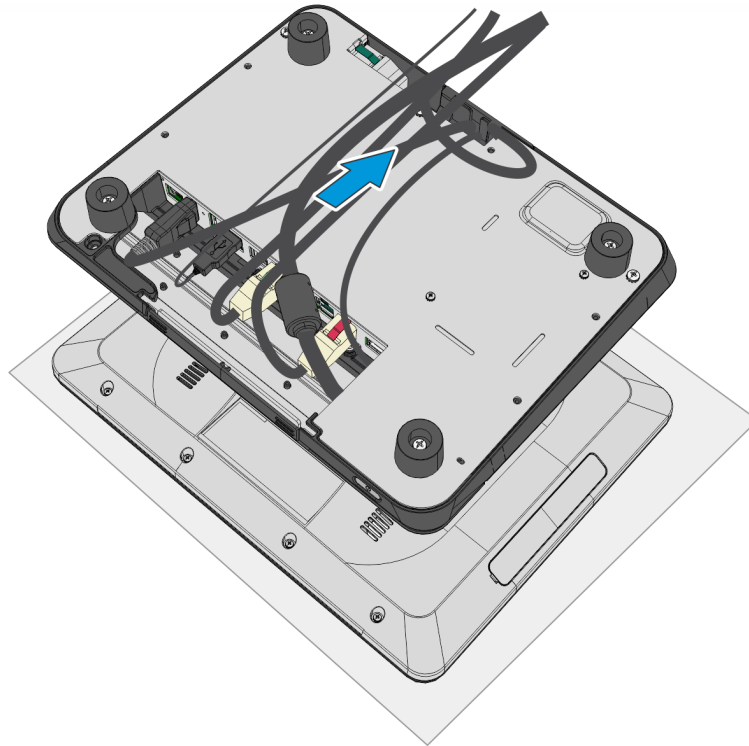
70574

2. To open the I/O Cover, press on the ribs on both sides and then pivot the cover.



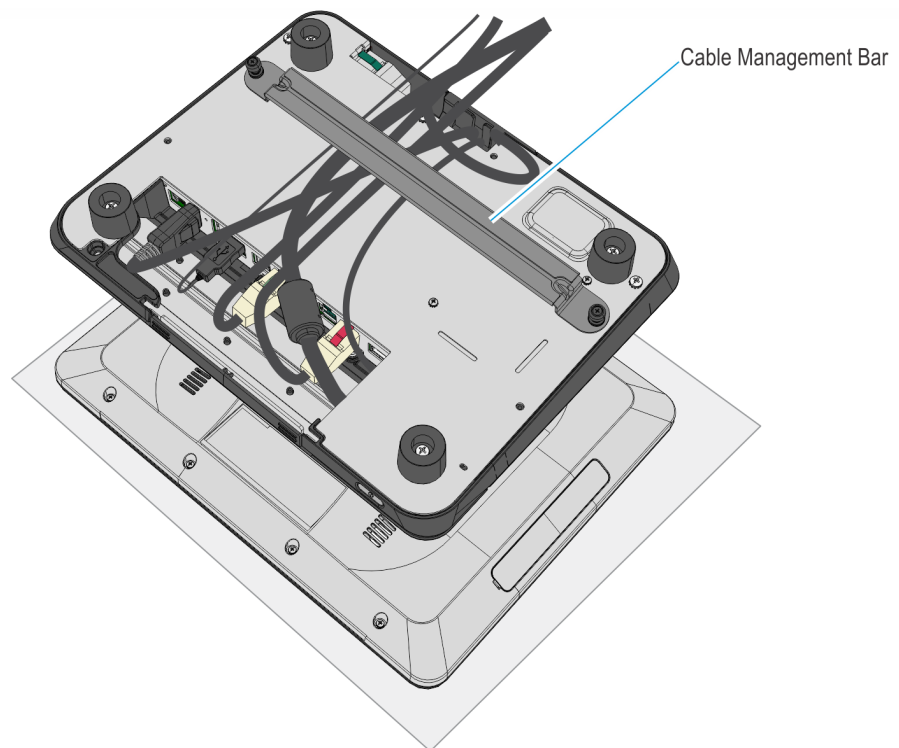
70576

3. Connect the cables to the corresponding connectors and route the cables towards the back of the terminal.



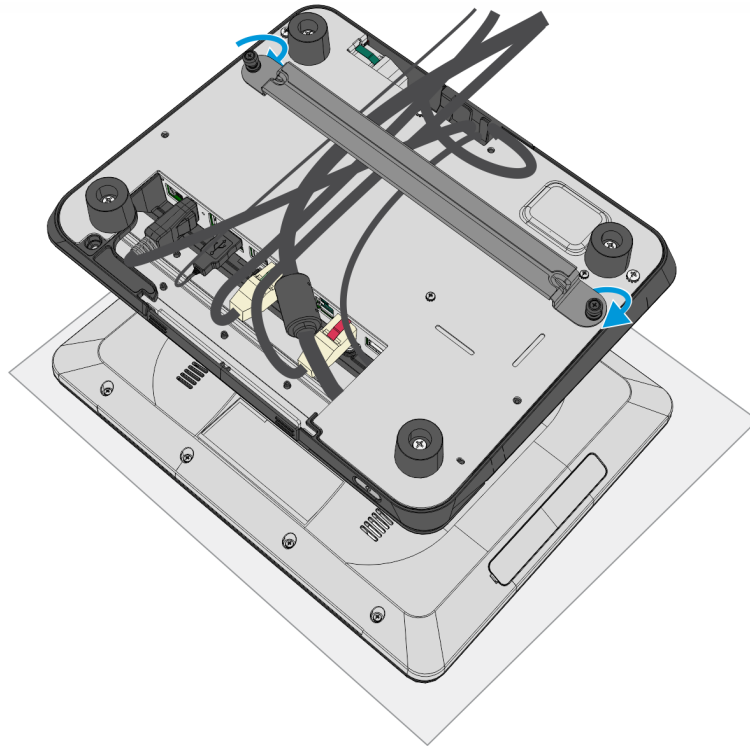
70577

4. Close the I/O Cover. Tighten the cables to avoid them from dangling.
5. Install the Cable Management Bar.



70578

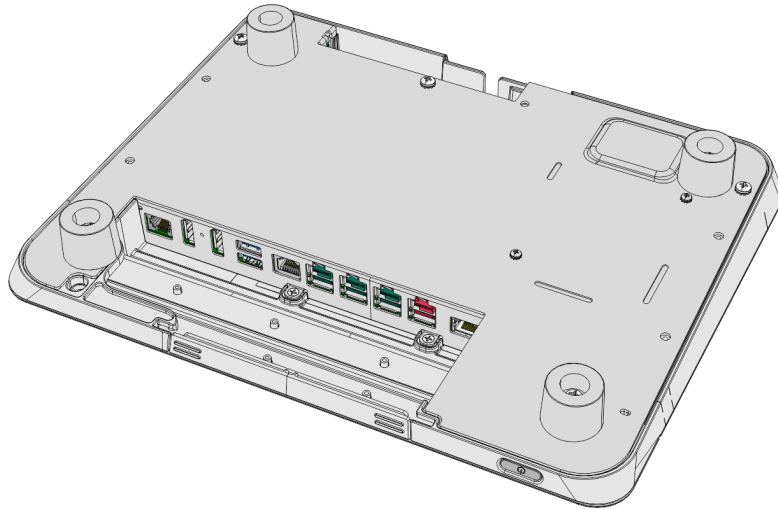
6. Tighten the thumbscrews (2) to secure the cables.



70579

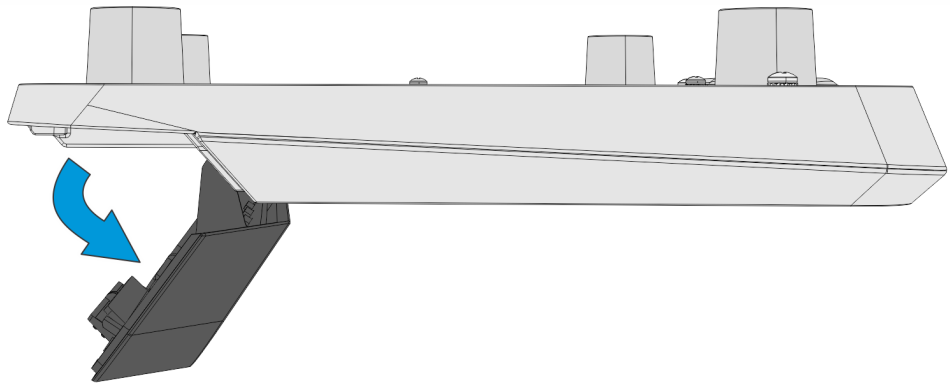
RealPOS XR4 Installation Procedure

1. Lay the terminal face down on a flat surface.



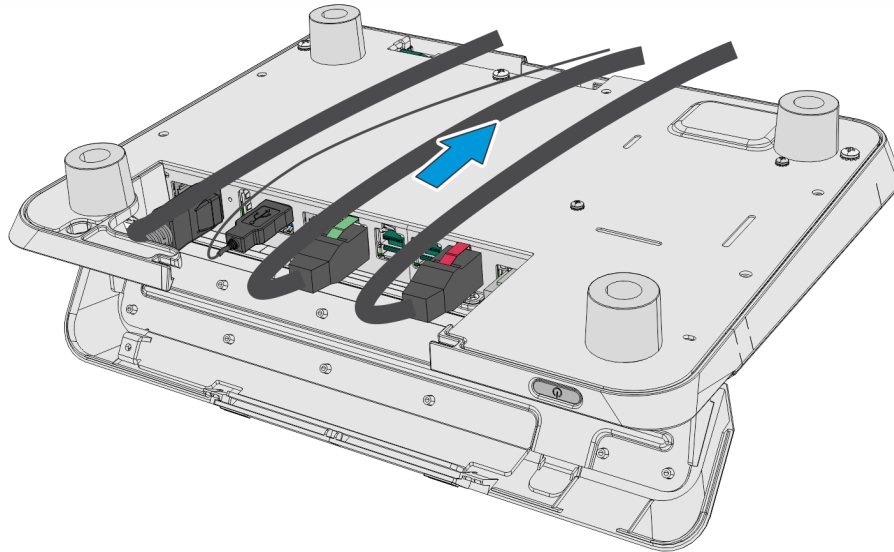
70580

2. To open the I/O Cover, press on the ribs on both sides and then pivot the cover.



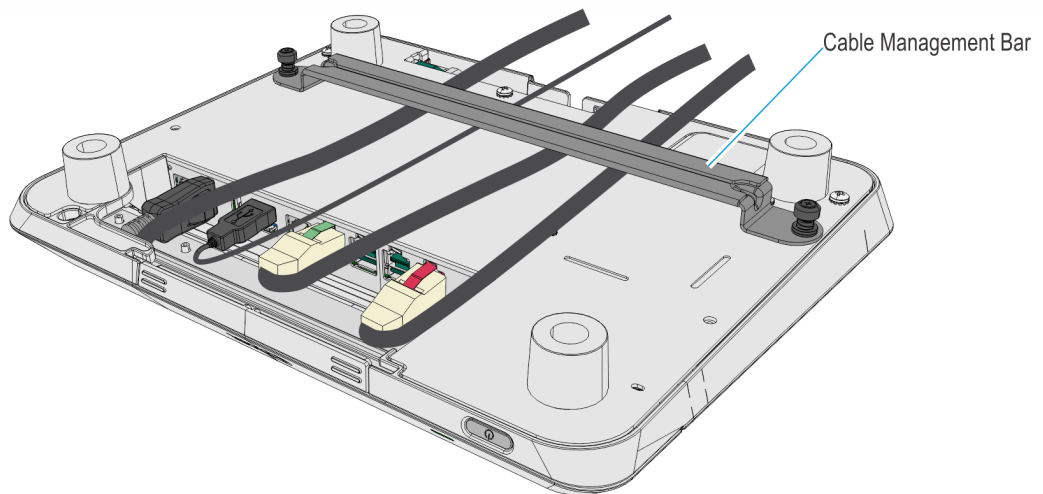
70581

3. Connect the cables to the corresponding connectors and route the cables towards the back of the terminal.



70582

4. Close the I/O Cover. Tighten the cables to avoid them from dangling.
5. Install the Cable Management Bar.



70583

6. Tighten the thumbscrews (2) to secure the cables.

