

7403-K131/132/133/K138

# Memory Modules

Kit Instructions



Issue C

---

## Revision Record

Issue	Date	Remarks
A	Nov 2008	First issue
B	Mar 2011	Added 7409, 7600, and 7610 support
C	Mar 2013	Added K138 (4 GB)

## Introduction

These kits provide the various increments of memory available for the terminal. Refer to the proper terminal section for installation procedures.

[RealPOS 70XRT \(7403\) Installation Procedures](#)

[SelfServ 60 \(7409\) Installation Procedures](#)

[RealPOS 40 \(7600\) Installation Procedures](#)

[RealPOS 25 \(7610\) Installation Procedures](#)

## Kit Contents

The content of the kit is as followed.

<b>Kit No.</b>	<b>Memory Part No.</b>	<b>Description</b>
7403-K131	497-0460358	DDR2, 512 MB DIMM, 800 MHz
7403-K132	497-0460359	DDR2, 1 GB DIMM, 800 MHz
7403-K133	497-0460360	DDR2, 2 GB DIMM, 800 MHz
7403-K138	497-0477587	DDR2, 4 GB DIMM, 800 MHz

**Note:** The RealPOS 40 (7600) and RealPOS 25 (7610) come standard with 1GB of memory and support a single DIMM slot. Therefore only the 2 GB kit applies to these terminals.

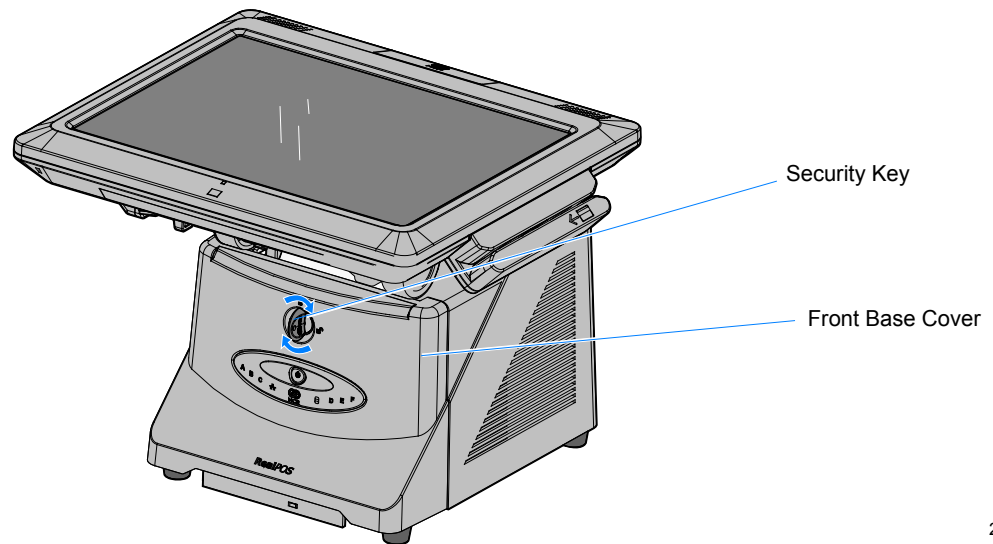
## RealPOS 70<sub>XRT</sub> (7403) Installation Procedures

**Caution:** Static Electricity Discharge may permanently damage your system. Discharge any static electricity build up in your body by touching your computer's case for a few seconds. Avoid any contact with internal parts and handle cards only by their external edges.

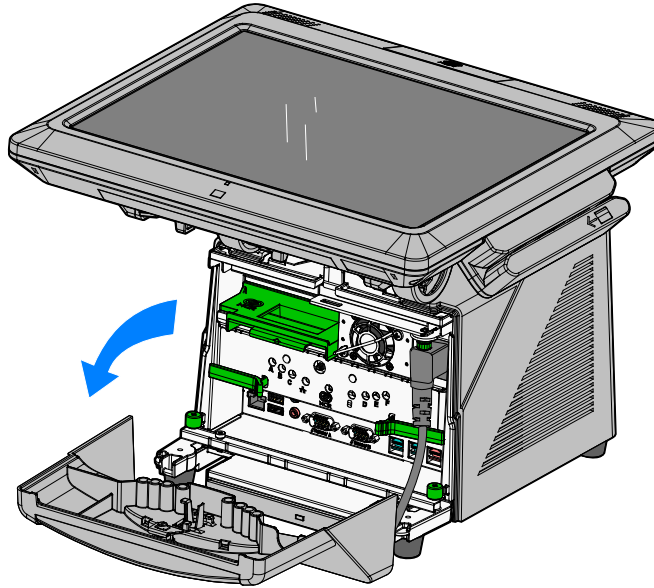
1. Disconnect power to the terminal.

**Caution:** Disconnect the AC power cord before disassembling the terminal. The ON/OFF switch does **NOT** remove power to the unit.

- a. Remove the Front Cover.
- b. Insert the Security Key and turn it 90 degrees clockwise.

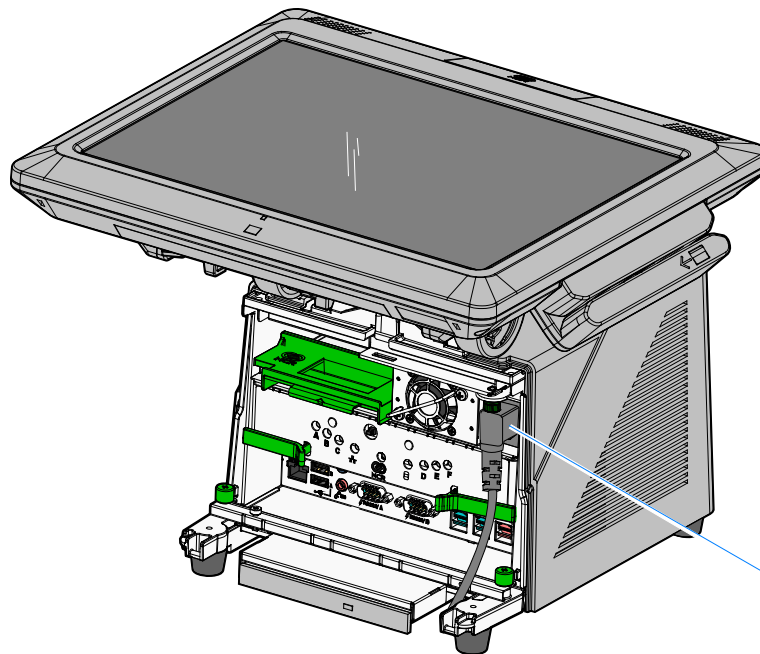


- c. Pivot the top of the Front Base Cover toward the front of the unit and remove it from the terminal.



26032

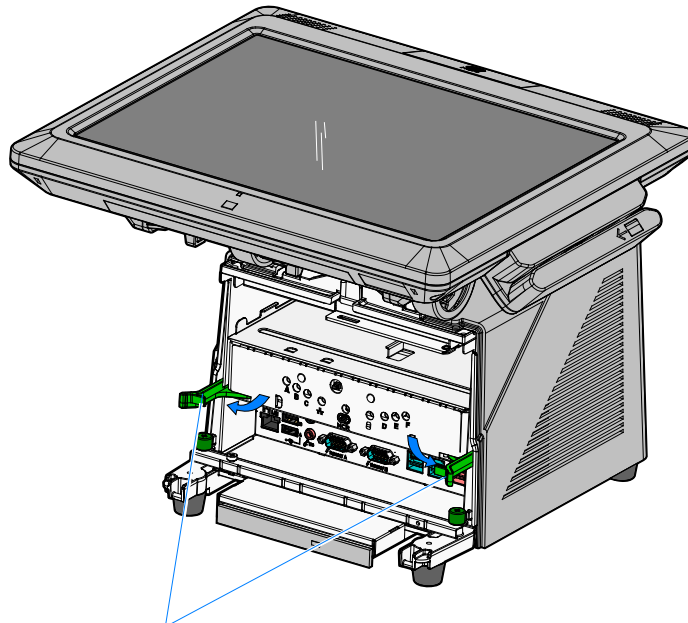
- d. Disconnect the Power Cord from the Power Supply.



AC Power Cord

26135

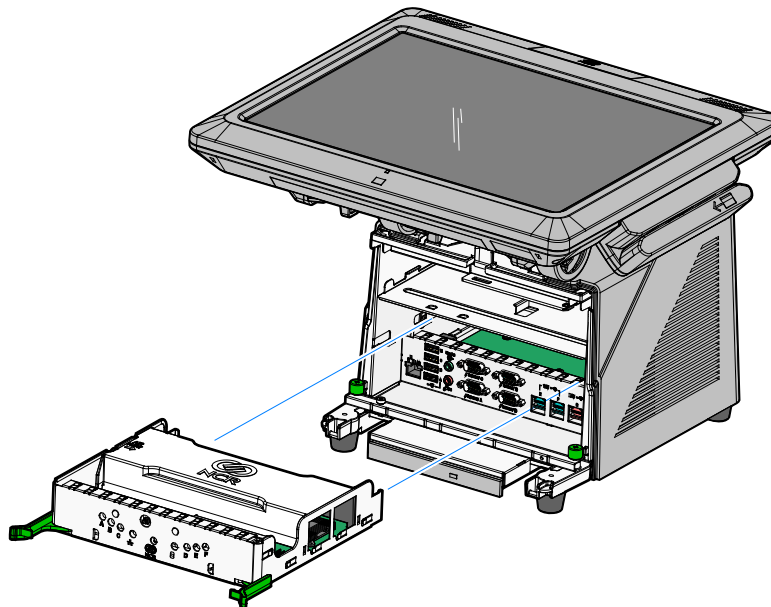
2. Disengage the Motherboard Sled Latches (2) that secure the assembly to the chassis by pivoting them outwards as shown. This action disconnects it from the Backplane Board.



Motherboard Sled Latches

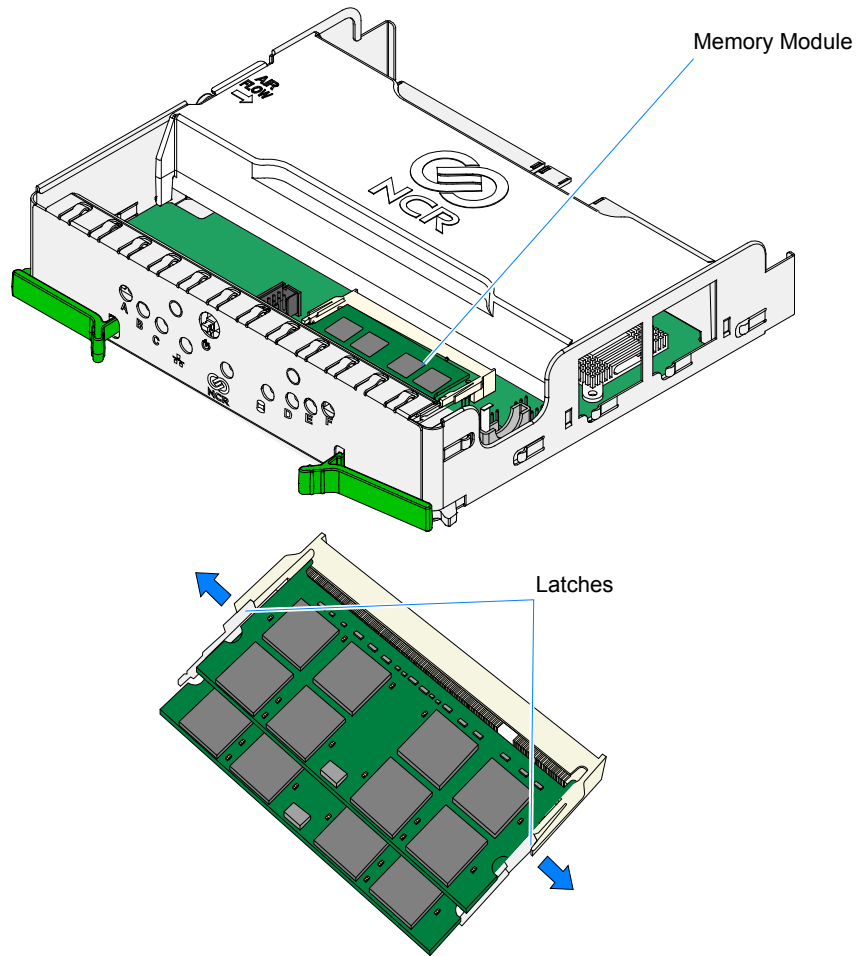
26038

3. Grasp the front of the Motherboard bracket and pull the assembly out of the chassis.



26039

4. Remove the memory module(s). Open the latches at the ends of the socket to release each module.

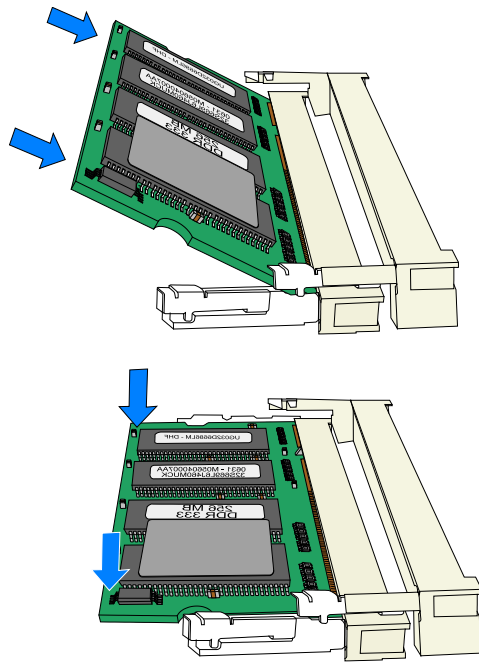


5. Install the new memory module(s).

The Motherboard contains two memory module sockets, stacked one on top of the other. The sockets can be populated with any combination of the supported memory module sizes (512MB, 1GB, 2GB), with a maximum of 4GB total system memory. If only one module is being used it should be installed in the bottom slot.

**Note:** The Intel ME/AMT features will not function unless the bottom slot is populated.

- a. Align the new module in the socket and push it into the socket (note the socket is keyed).



- b. Press the edge of the module down until it latches in position. Ensure that the ends of the module engage the latches and that the latches are completely closed.

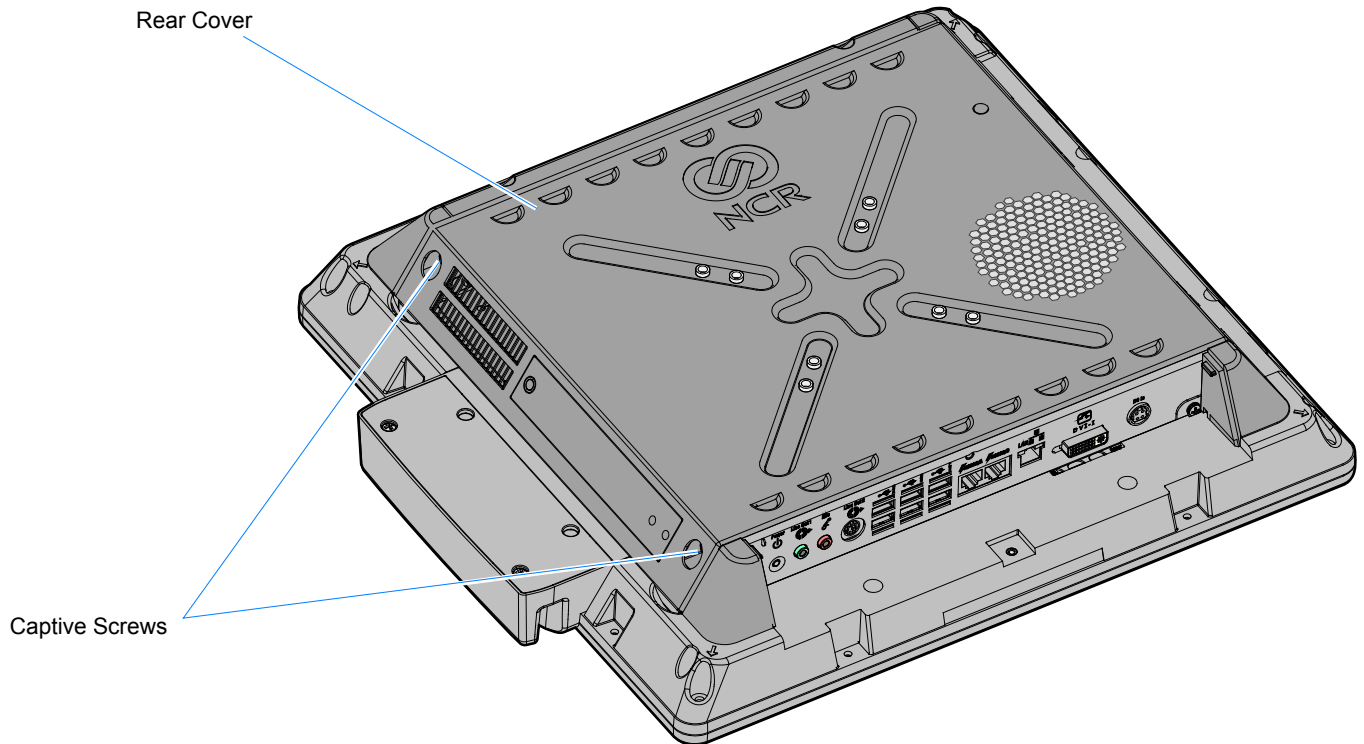
6. Install the Motherboard Sled into the Base of the 7403.

7. Install the Front Base Cover and lock the Security Lock.

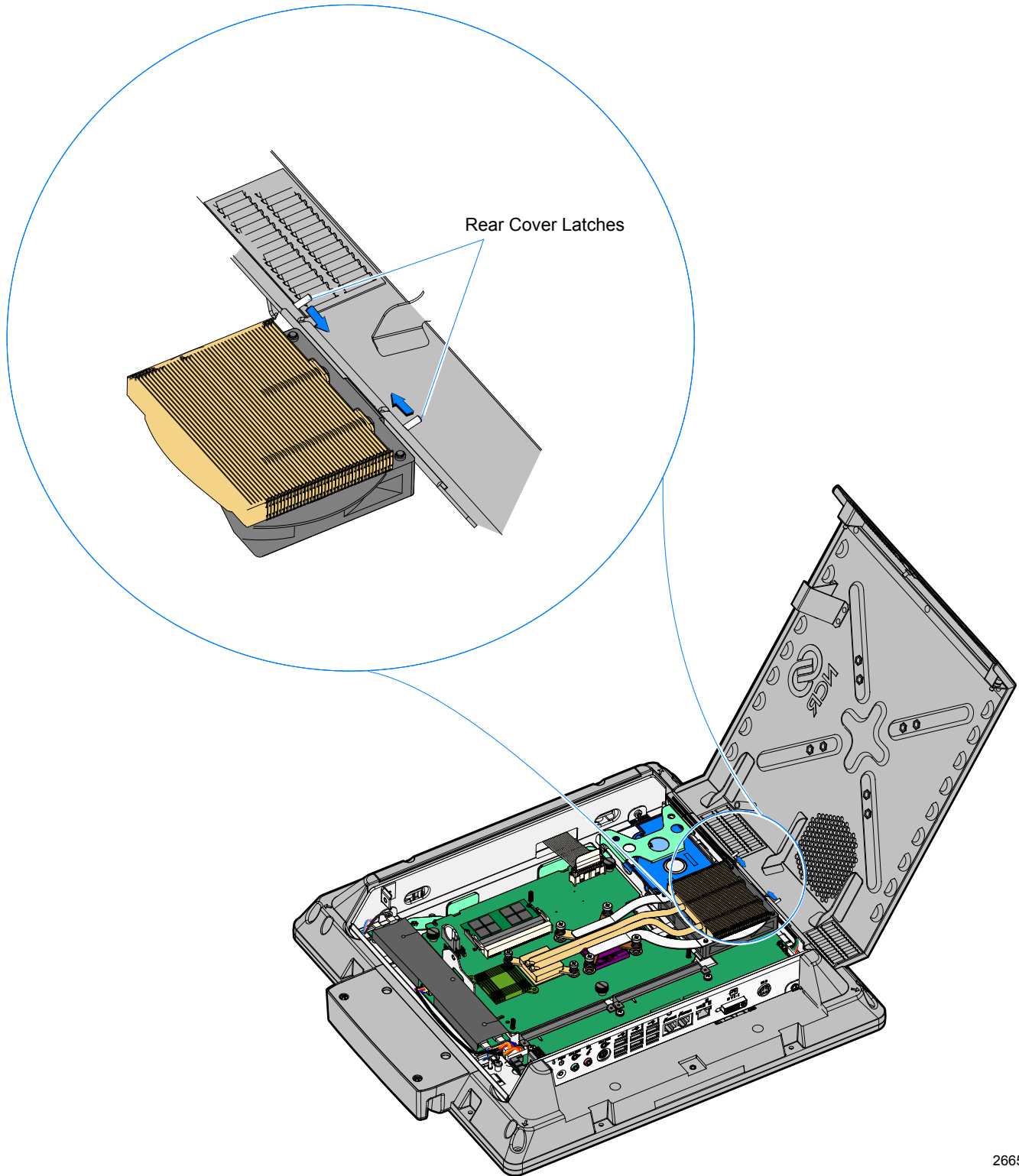


## SelfServ 60 (7409) Installation Procedures

1. Lay the terminal face down on a flat surface.
2. Loosen the captive screws (2) that secure the Rear Cover.



3. Pivot the Rear Cover to the open position.

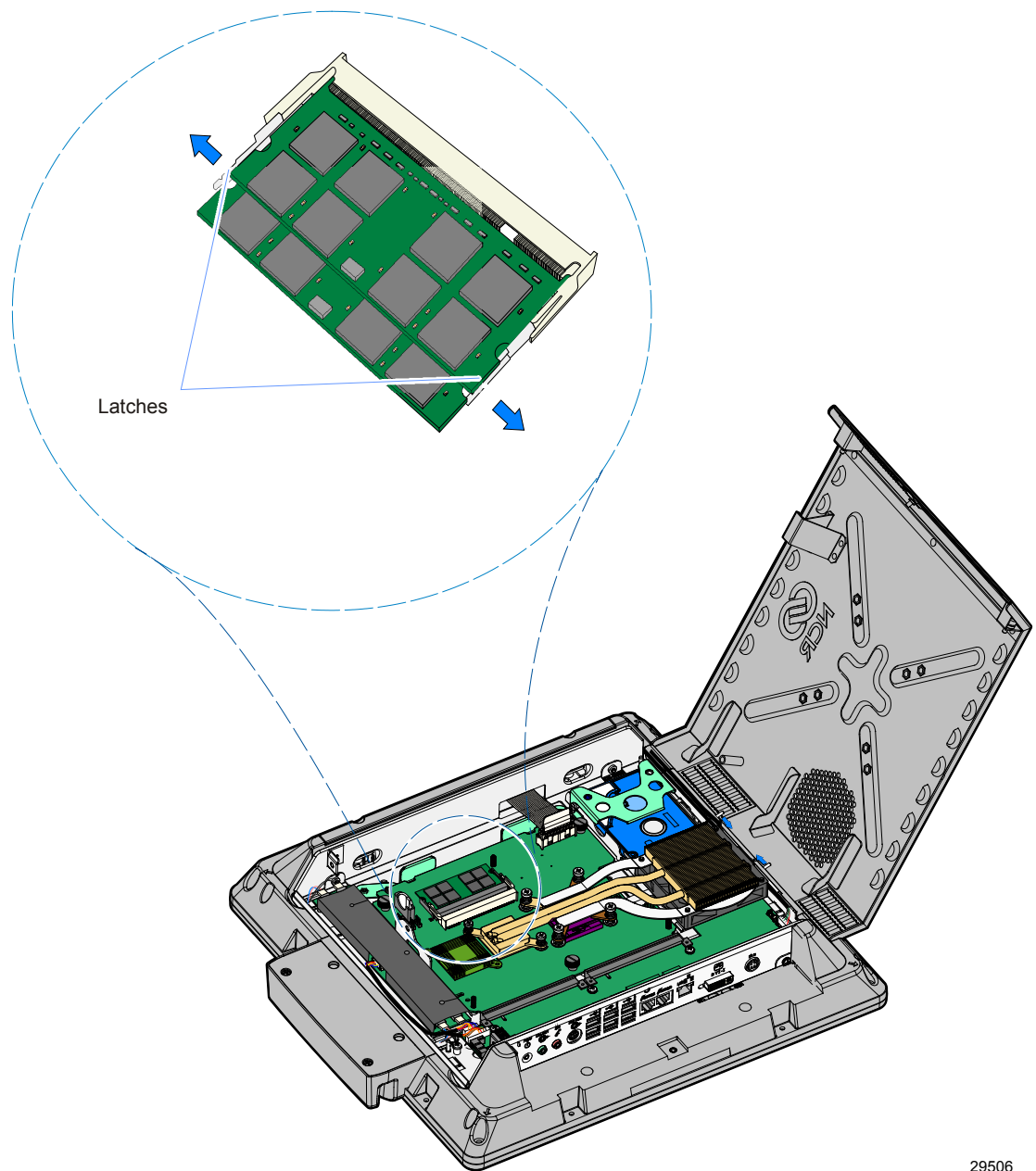


4. Remove the Rear cover by squeezing the Rear Cover Latches together as indicated above.

1. Remove the memory module(s). Open the latches at the ends of the socket to release each module.

The Motherboard contains two memory module sockets, stacked one on top of the other. The sockets can be populated with any combination of the supported memory module sizes (512MB, 1GB, 2GB), with a maximum of 4GB total system memory. Note the memory configuration and replace them in the new board in the same configuration.

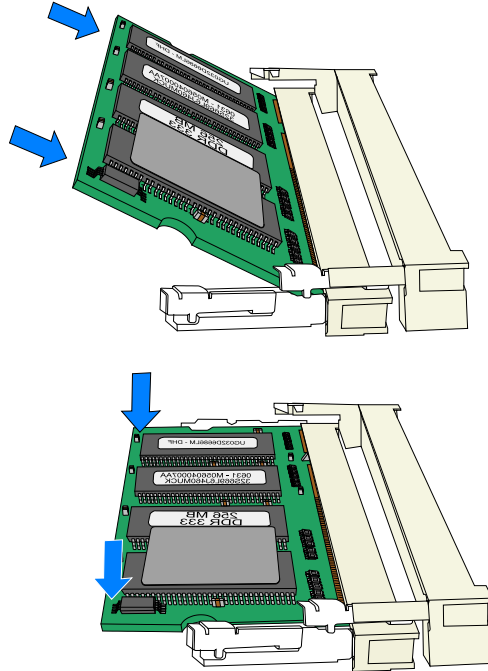
**Note:** The Intel ME/AMT features will not function unless the bottom slot is populated.



2. Install the new memory module(s).

**Note:** If only one memory module is being used insert it in the bottom socket. The Intel ME/AMT features will not function unless the bottom slot is populated.

- a. Align the new module in the socket and push it into the socket (note the socket is keyed).



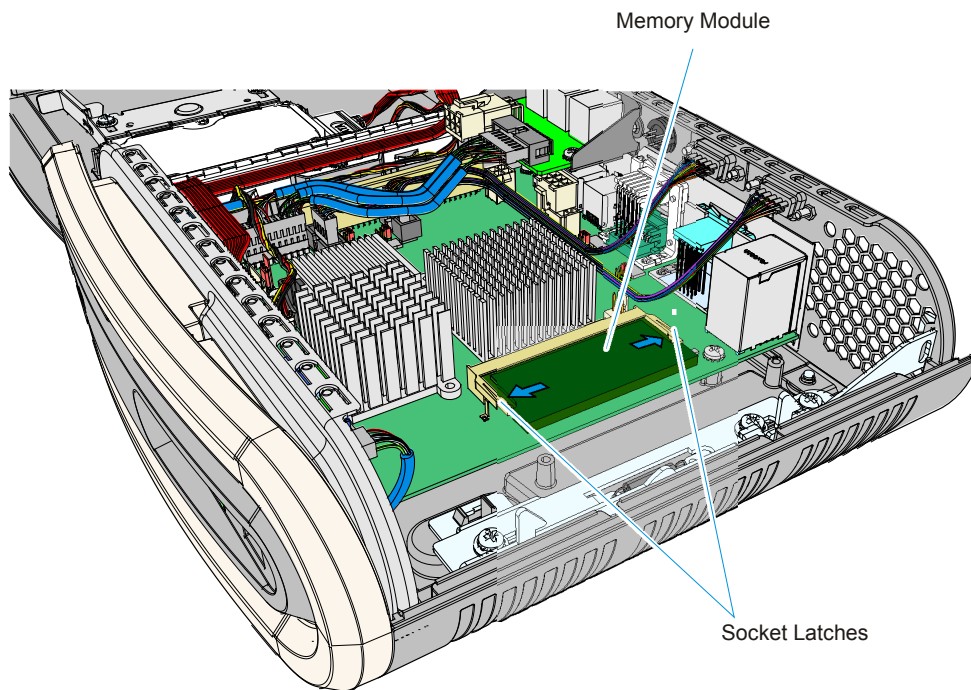
- b. Press the edge of the module down until it latches in position. Ensure that the ends of the module engage the latches and that the latches are completely closed.

## RealPOS 40 (7600) Installation Procedures

**Warning:** Disconnect the AC power cord before disassembling the Terminal.

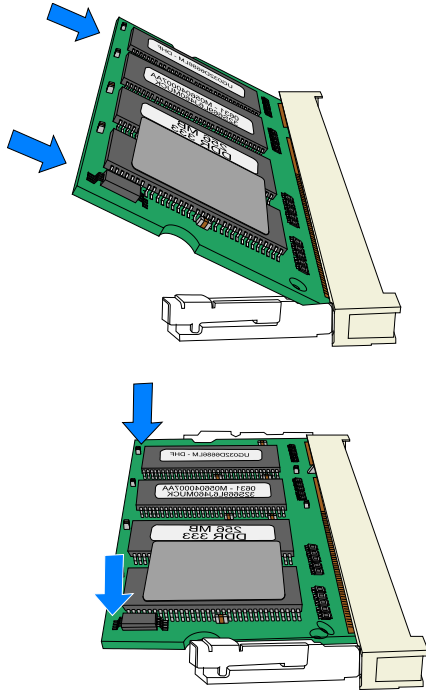
**Caution:** Static Electricity Discharge may permanently damage your system. Discharge any static electricity build up in your body by touching your computer's case for a few seconds. Avoid any contact with internal parts and handle cards only by their external edges.

1. Turn Off the power to the terminal and any connected peripheral devices. Unplug the terminal's power cord.
2. Remove power from the terminal.
3. Open the Top Cover.
4. Open the latches at the ends of the memory socket as shown below to release the module.



5. Remove the memory module.

6. Align the new module in the socket and push it into the socket (note the socket is keyed).



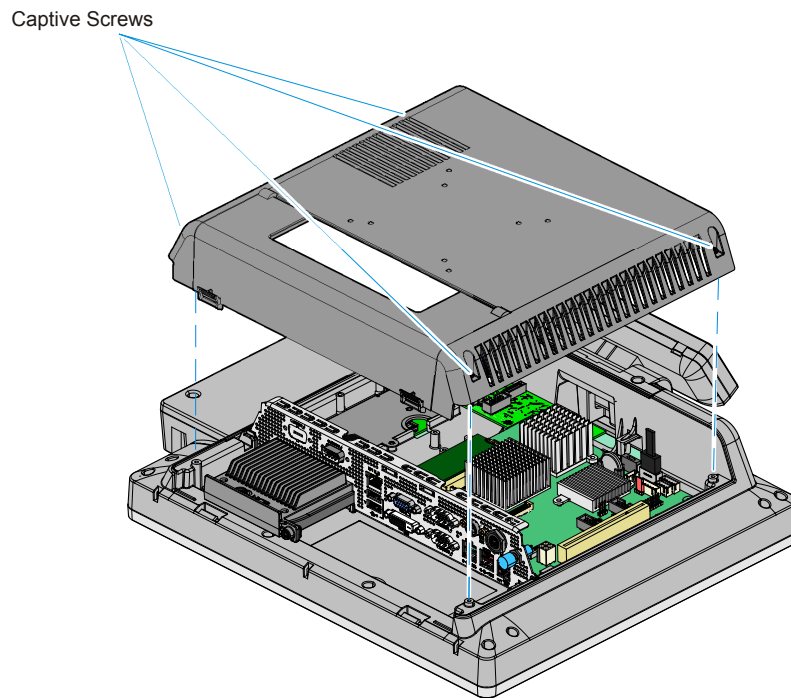
7. Press the edge of the module down until it latches in position. Ensure that the ends of the module engage the latches and that the latches are completely closed.

## RealPOS 25 (7610) Installation Procedures

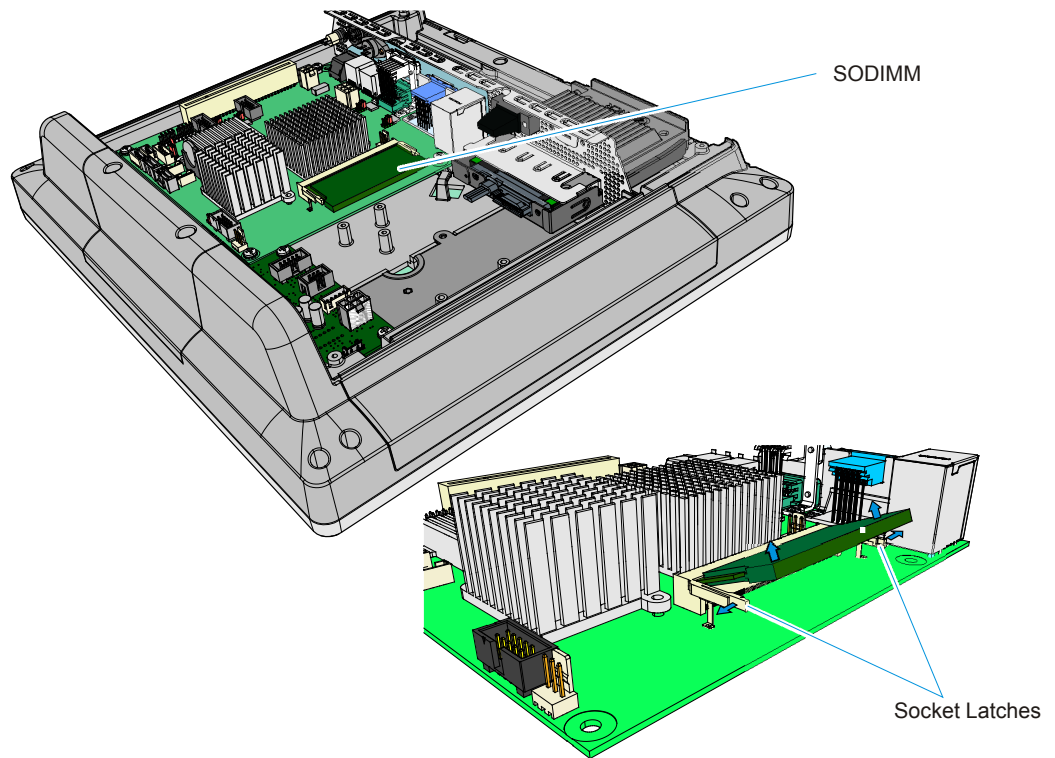
**Warning:** Disconnect the AC power cord before disassembling the Terminal.

**Caution:** Static Electricity Discharge may permanently damage your system. Discharge any static electricity build up in your body by touching your computer's case for a few seconds. Avoid any contact with internal parts and handle cards only by their external edges.

1. Turn Off the power to the terminal and any connected peripheral devices. Unplug the terminal's power cord.
2. Remove power from the terminal.
3. Remove the Rear Cover (loosen the captive screws (4) that secure it to the chassis.)



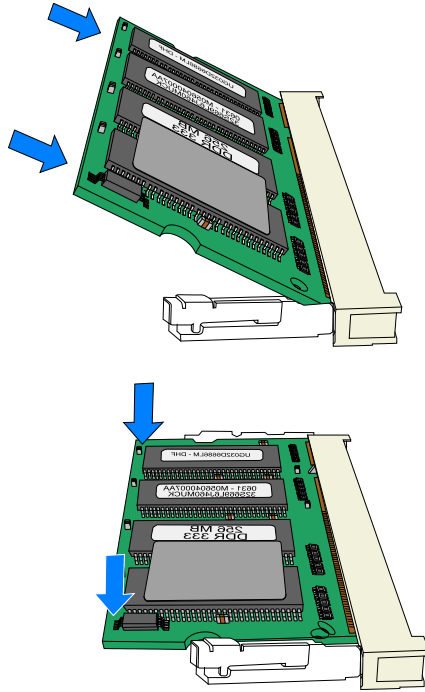
4. Open the latches at the ends of the memory socket as shown below to release the module.



5. Remove the memory module.



6. Align the new module in the socket and push it into the socket (note the socket is keyed).



7. Press the edge of the module down until it latches in position. Ensure that the ends of the module engage the latches and that the latches are completely closed.