

7403-K141/K142/K144/K145

Magnetic Stripe Reader

Kit Instructions



Issue C

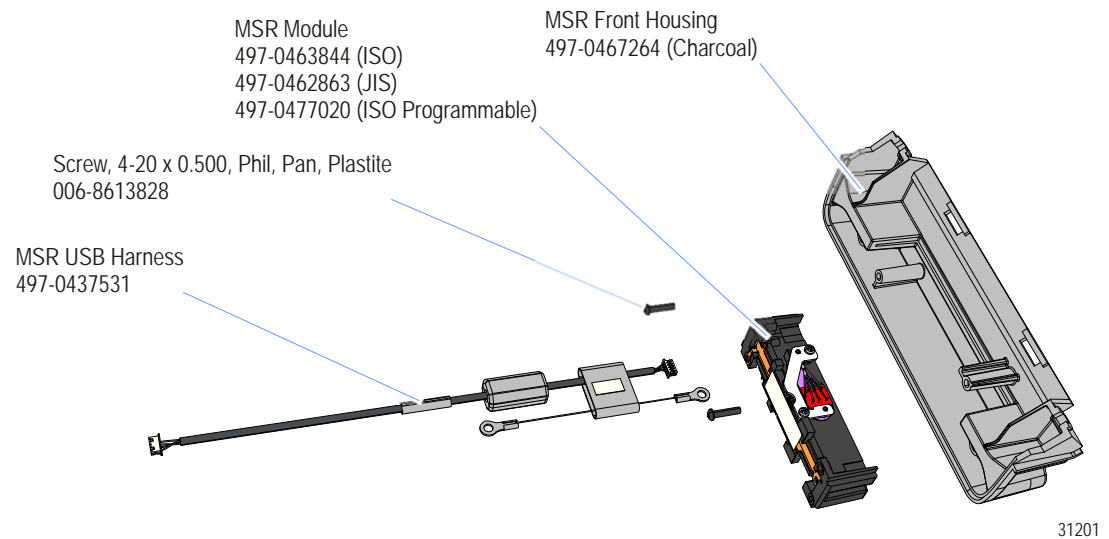
Revision Record

Issue	Date	Remarks
A	Nov 2008	First issue
B	Feb 2009	Added JIS model
C	Feb 2012	Added programmable versions

Introduction

This kit provides an MSR module that mounts on the side of the 7403 display. There are four versions. The hardware installation procedures are the same for all.

- 7403-K141 – 3-Track, ISO, OPOS Mode
- 7403-K142 – 3-Track, JIS
- 7403-K144 – 3-Track, ISO, Programmable, Pre-Programmed for Keyboard/Magtek Mode
- 7403-K145 – 3-Track, ISO, Programmable, Pre-Programmed for OPOS MSR Mode



Installation Procedures

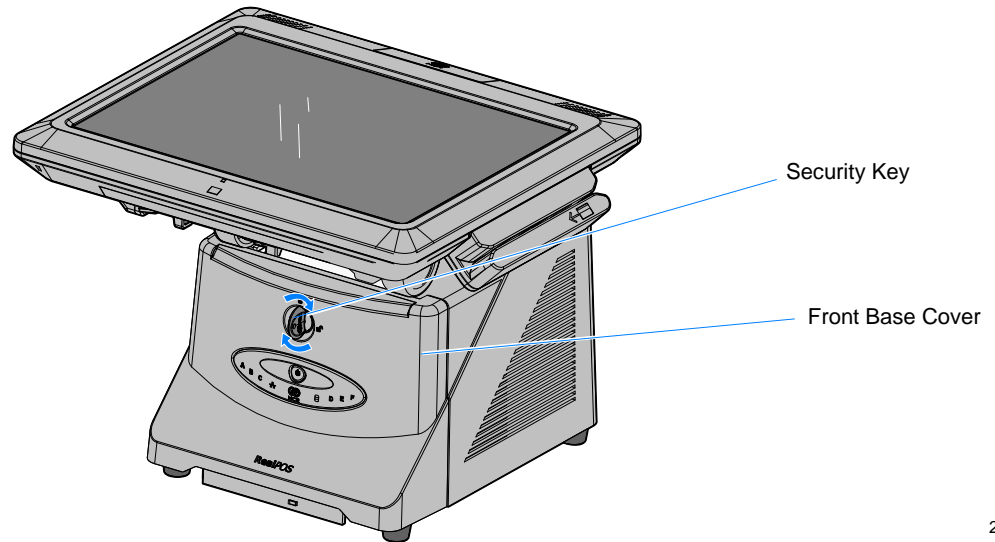
Caution: Static Electricity Discharge may permanently damage your system.

Discharge any static electricity build up in your body by touching your computer's case for a few seconds. Avoid any contact with internal parts and handle cards only by their external edges.

1. Disconnect power to the terminal.

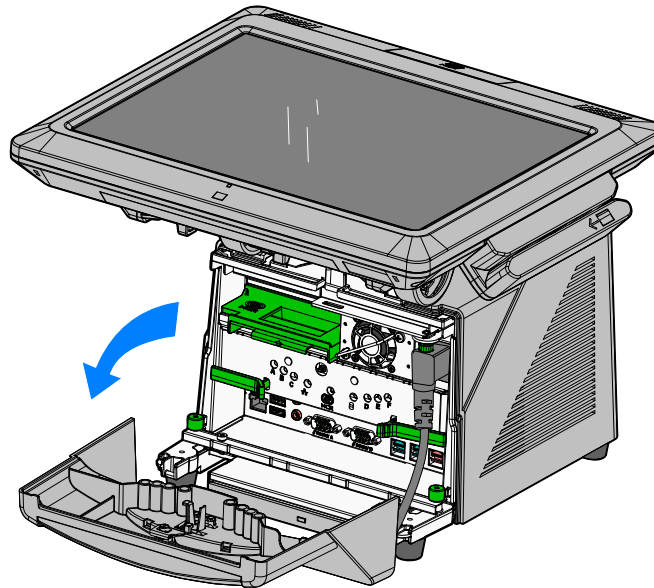
Caution: Disconnect the AC power cord before disassembling the terminal. The ON/OFF switch does **NOT** remove power to the unit.

- a. Remove the Front Cover.
- b. Insert the Security Key and turn it 90 degrees clockwise.



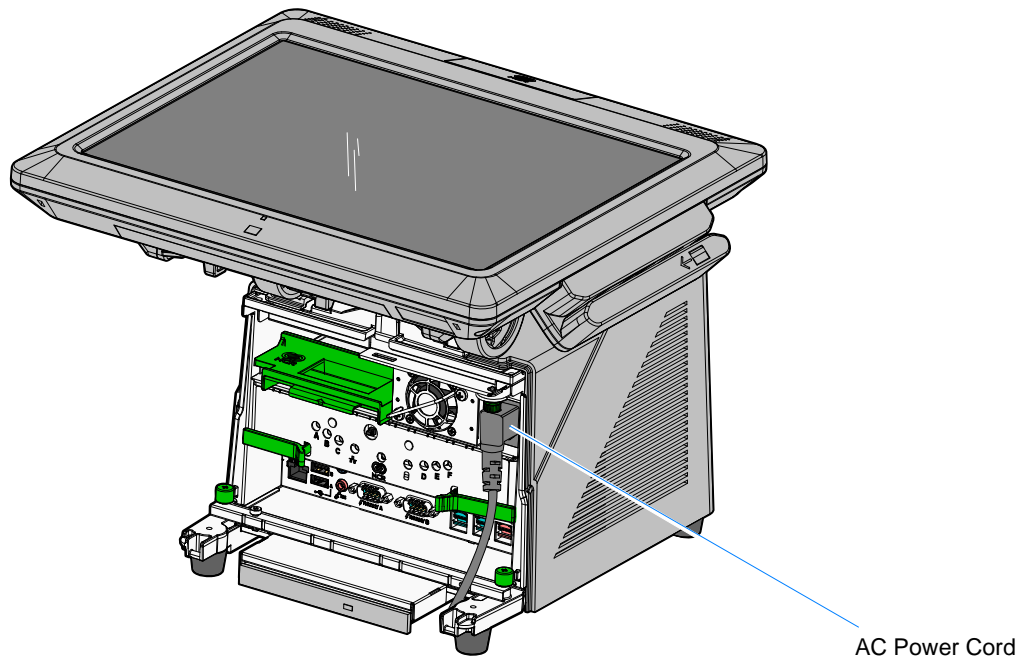
26124

- c. Pivot the top of the Front Base Cover toward the front of the unit and remove it from the terminal.



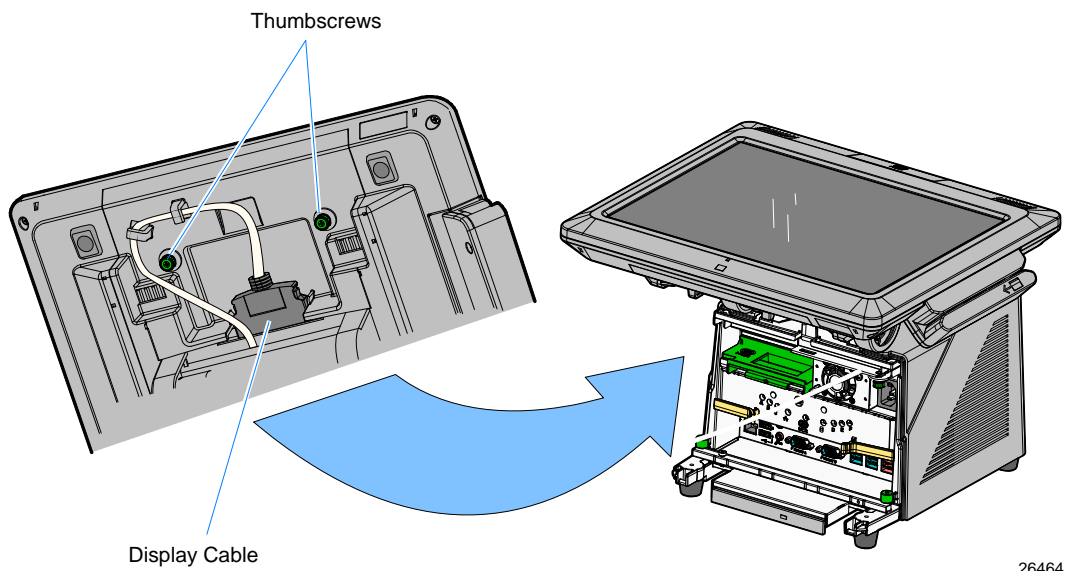
26032

- d. Disconnect the Power Cord from the Power Supply.



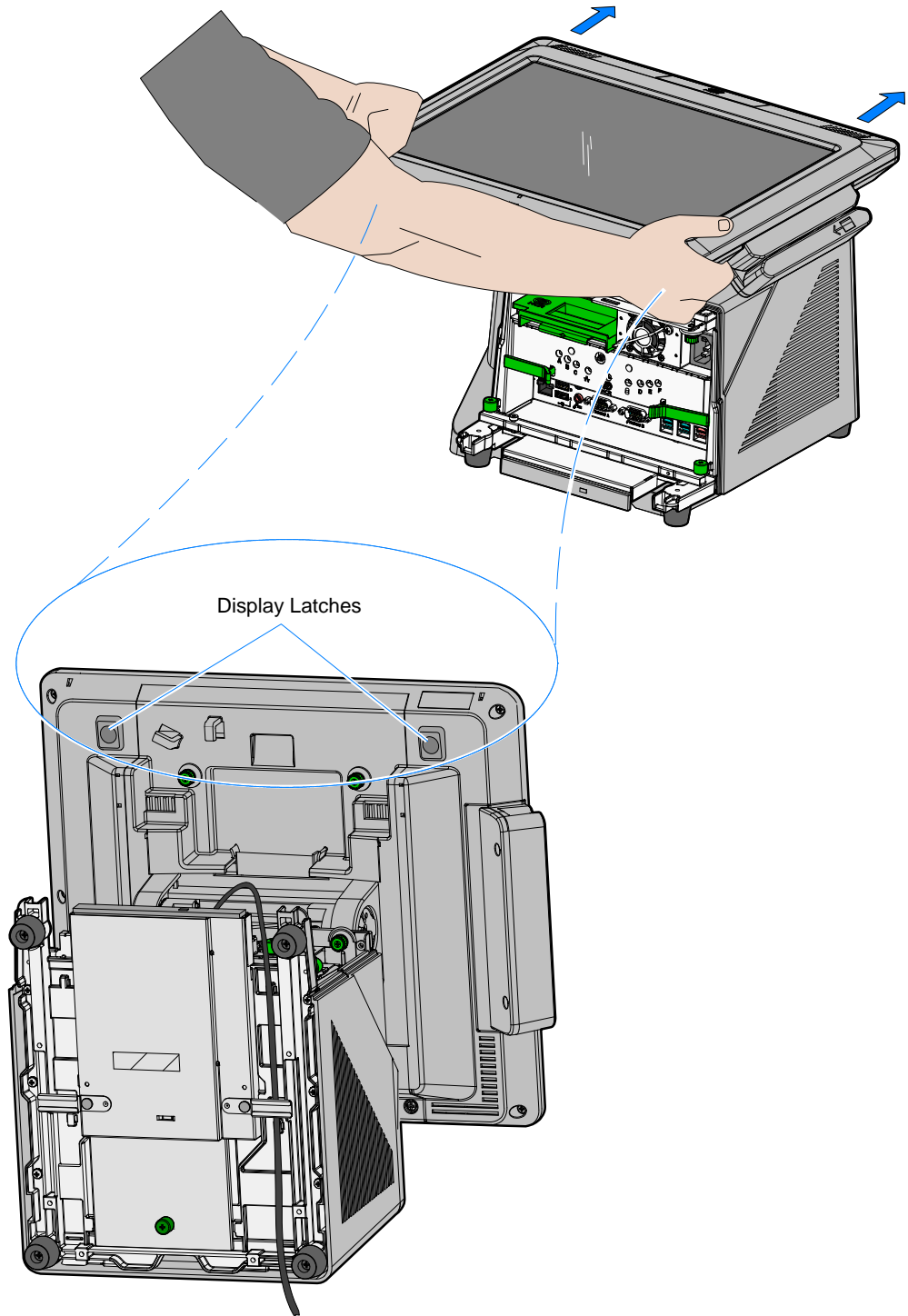
26135

2. Disconnect the Display Cable.
3. Loosen the Display thumbscrews (2).

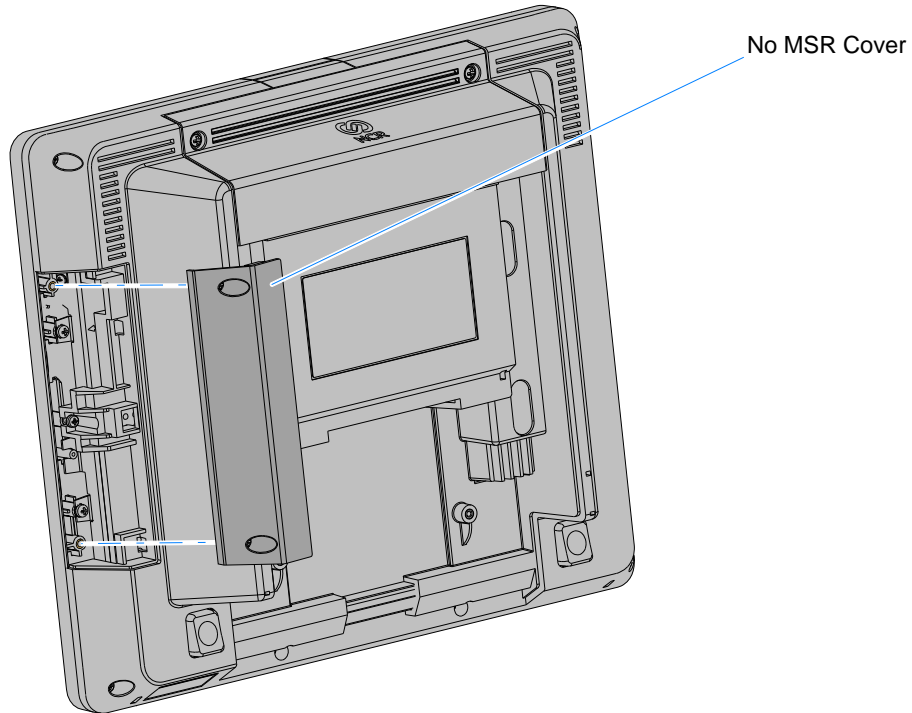


26464

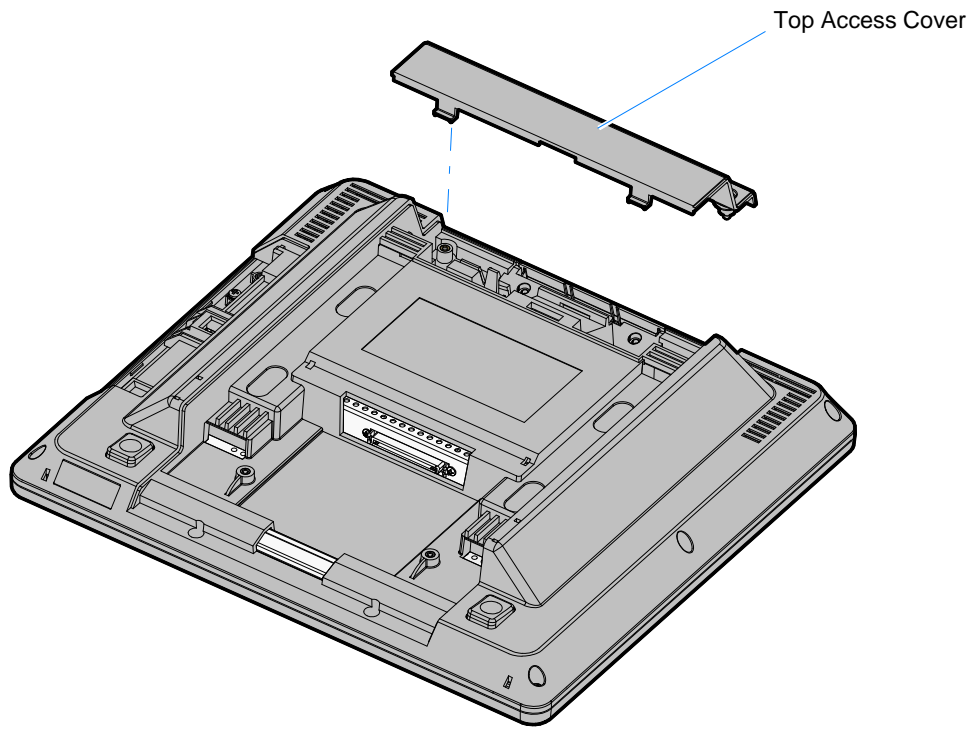
4. Depress the Display Release Latches (2) and slide the Display Head toward the rear of the terminal to disengage it from the chassis.



5. Lay the Display Head on a flat, non-scratch surface to avoid scratches to the Touchscreen and Front Bezel.
6. Loosen the captive screws (2) that secure the No MSR Cover (2 screws)

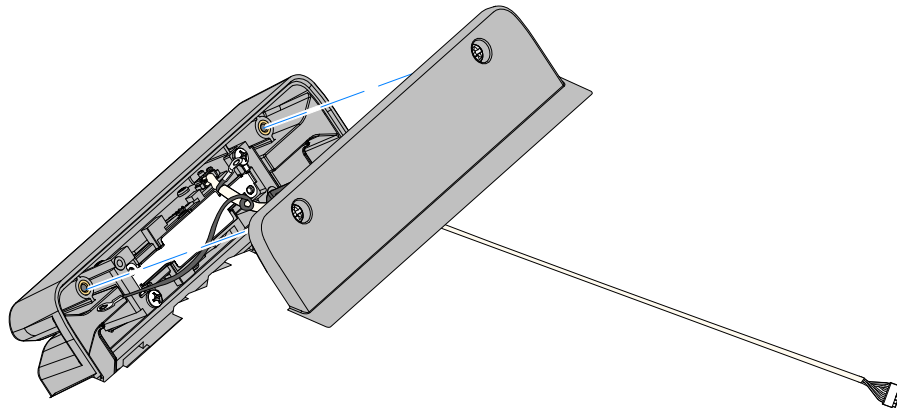


7. Loosen the captive screws (2) that secure the Top Access Cover and then remove the cover from the Rear Cabinet.



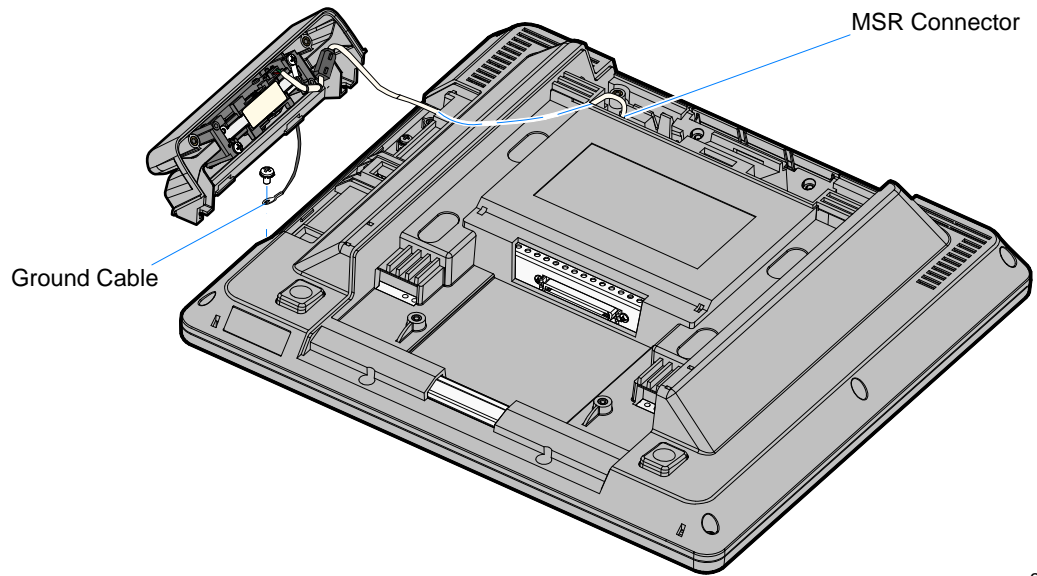
26282

8. Remove the MSR Rear Housing (2 captive screws)

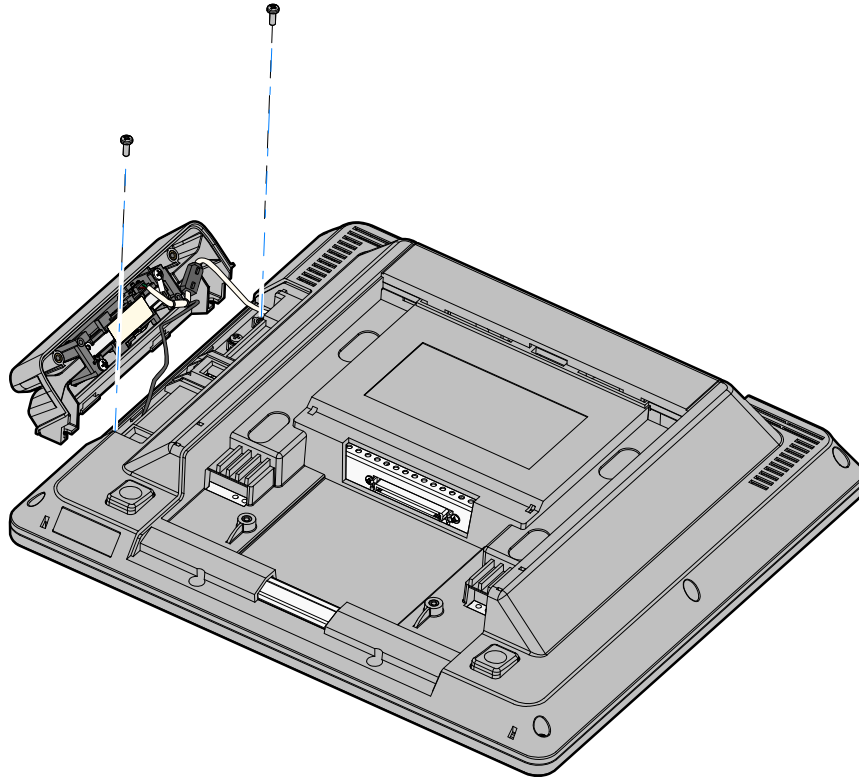


26278b

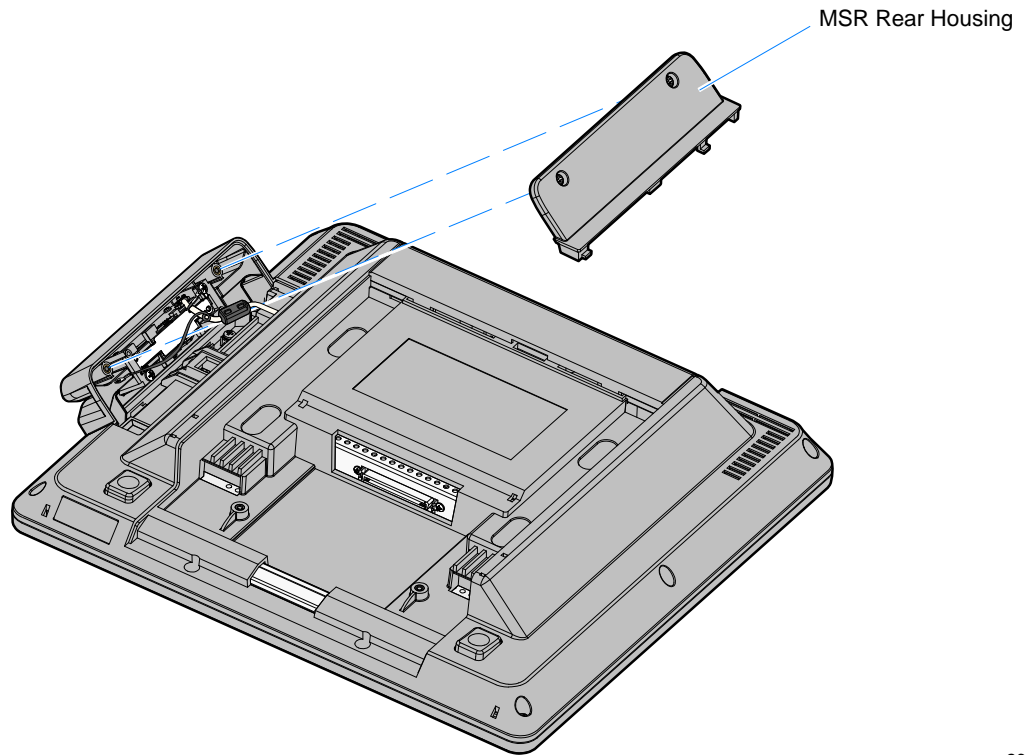
9. Route the MSR Cable through the tunnel in the Rear Cabinet and connect it to the MSR Connector on the Back Panel (Controller Board).



10. Connect the Ground Cable to the chassis (1 screw).
11. Install the MSR Assembly to the Display Head (2 screws). The bottom edge of the MSR housing is placed onto the Display Head first, and then the MSR is rotated up into place.



12. Install the MSR Rear Housing (2 captive screws).



26153

13. Reassemble the unit using the reverse order.

- a. Install the Top Access Cover
- b. Install the Display Head on the base
- c. Connect the Display Cable
- d. Connect the Power Cord
- e. Install the Front Base Cover.

MSR Programming

The programmable MSR modules (7403-K144/K145) are identical hardware devices. The difference between them is their preset mode from the factory.

- **7403-K144:** Preset in the MAGTEK Keyboard Mode
- **7403-K145:** Preset in the OPOS MSR Mode

If the MSR is replaced the customer is responsible for re-programming the device to the correct mode and to set custom wedge-emulation parameters, using the NCR MSR Configuration Utility, which is available on the NCR website at:

1. <http://www.ncr.com>

1. At this site, select the **Support** tab.
2. Select **Drivers and Patches** → **Retail Support Files** → **NCR RealPOS and SelfServ Terminal and Operating Systems** → **NCR RealPOS 25 (7610)** → **Windows** → **MSR Configuration Utility**.

For information about how to use the utility see the *NCR MSR Configuration Utility User Guide* (B005-0000-2031).

MAGTEK Emulation Utility

The 7403-K145 MSR kit contains the MSR Programming Utility – MAGTEK Emulation to customize the MSR for specific MAGTEK emulation environments. Instructions to run this utility are also included in the kit.